



US00D425569S

United States Patent [19]

Lee

[11] Patent Number: **Des. 425,569**

[45] Date of Patent: **** May 23, 2000**

[54] **SOCCER GAME TABLE**

[75] Inventor: **Ming-Kuo Lee**, Taipei, Taiwan

[73] Assignee: **Hi-Star Co., Ltd.**, Chia-I Hsien, Taiwan

[**] Term: **14 Years**

[21] Appl. No.: **29/102,010**

[22] Filed: **Mar. 16, 1999**

[51] **LOC (7) Cl.** **21-01**

[52] **U.S. Cl.** **D21/318**

[58] **Field of Search** D21/318, 312, D21/314, 357; 273/108, 108.1, 108.54, 287, 281, 238, 236, 461, 108.52, 108.55, 108.56

[56] **References Cited**

U.S. PATENT DOCUMENTS

D. 240,246	6/1976	Pierre	D21/318
D. 347,245	5/1994	Cecchetti	D21/318
D. 352,071	11/1994	Monneret	D21/318
D. 352,969	11/1994	Cecchetti	D21/318

D. 367,498	2/1996	Grazioli	D21/318
4,078,797	3/1978	Bergee	273/108.52
5,326,102	7/1994	Chang	273/108.52
5,752,886	5/1998	Tien	273/108.1 X

OTHER PUBLICATIONS

Vending Times, p. 52, Feb. 1975.

Primary Examiner—Prabhakar Deshmukh
Attorney, Agent, or Firm—A & J

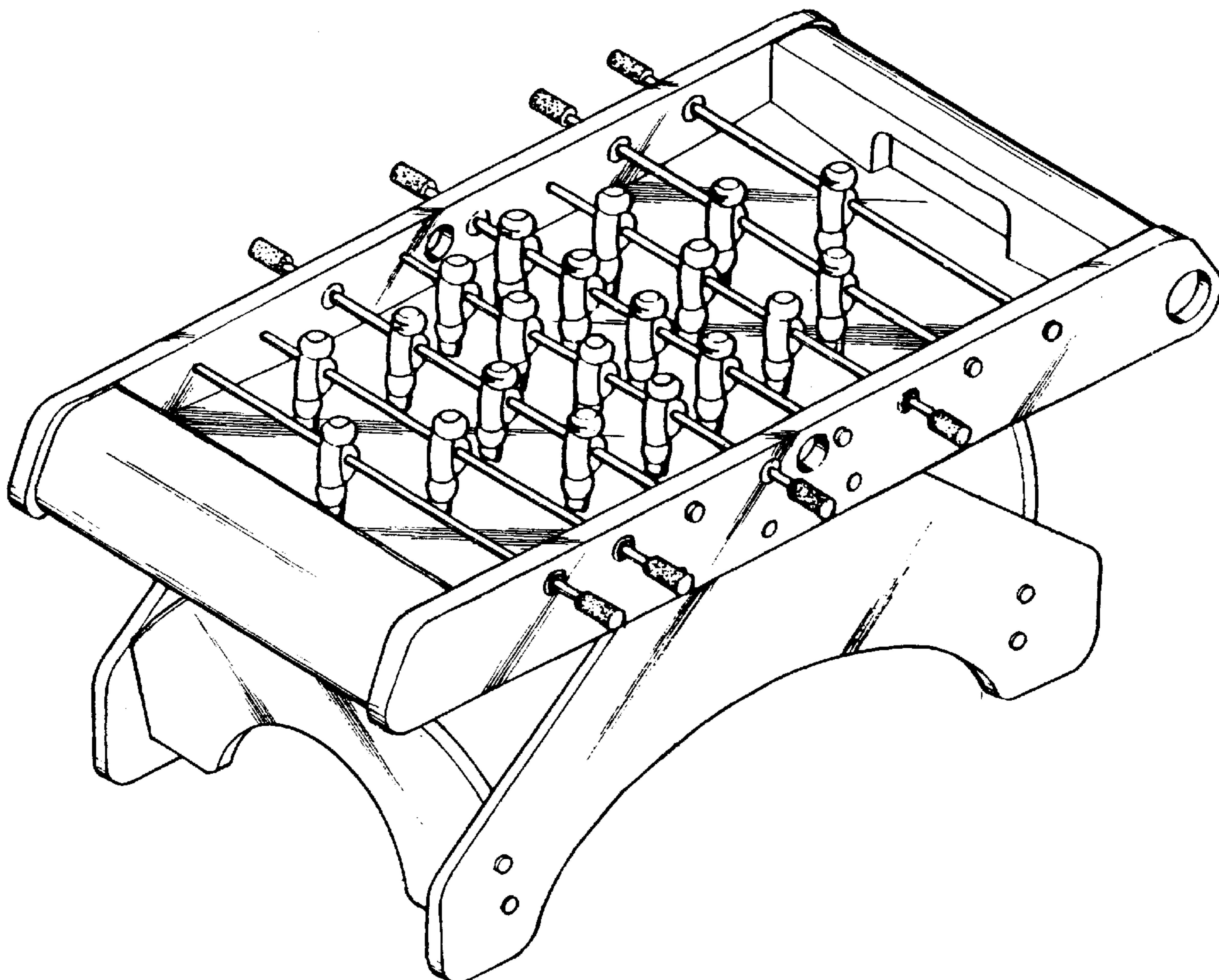
[57] **CLAIM**

The ornamental design for a soccer game table, as shown and described.

DESCRIPTION

FIG. 1 is a perspective view of a soccer game table showing my new design;
FIG. 2 is a front view thereof;
FIG. 3 is a rear view thereof;
FIG. 4 is a left side elevational view thereof;
FIG. 5 is a right side elevational view thereof;
FIG. 6 is a top plan view thereof; and,
FIG. 7 is a bottom plan view thereof.

1 Claim, 4 Drawing Sheets



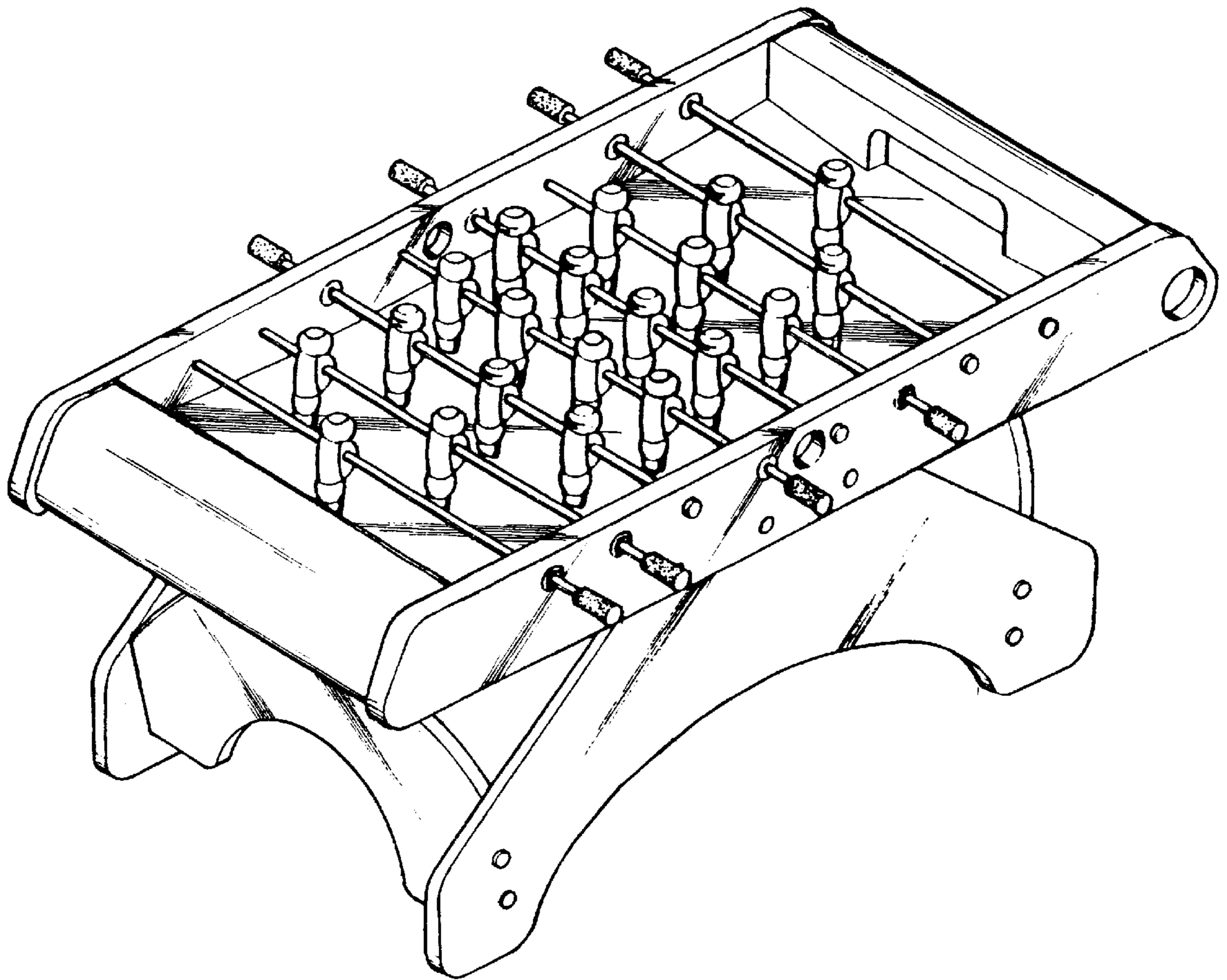


FIG. 1

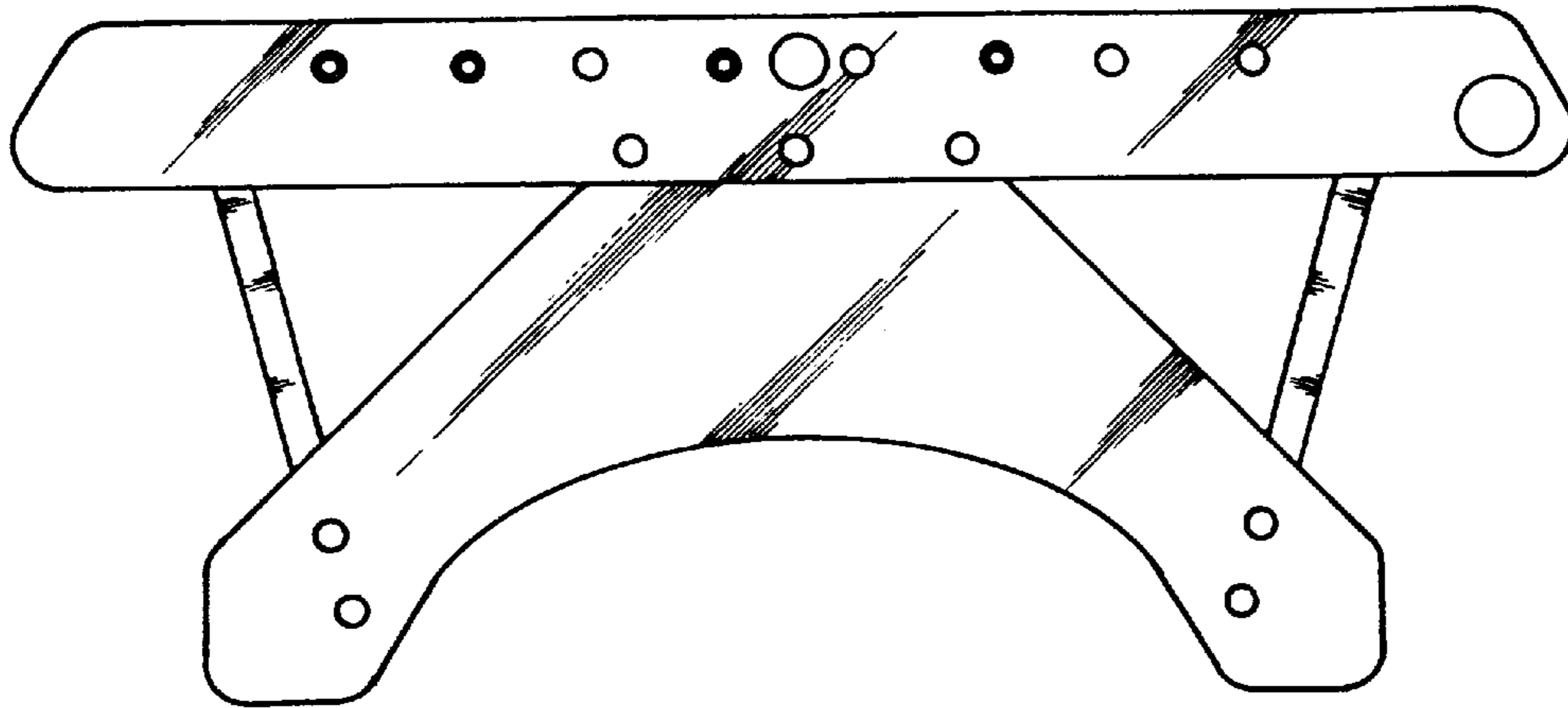


FIG. 2

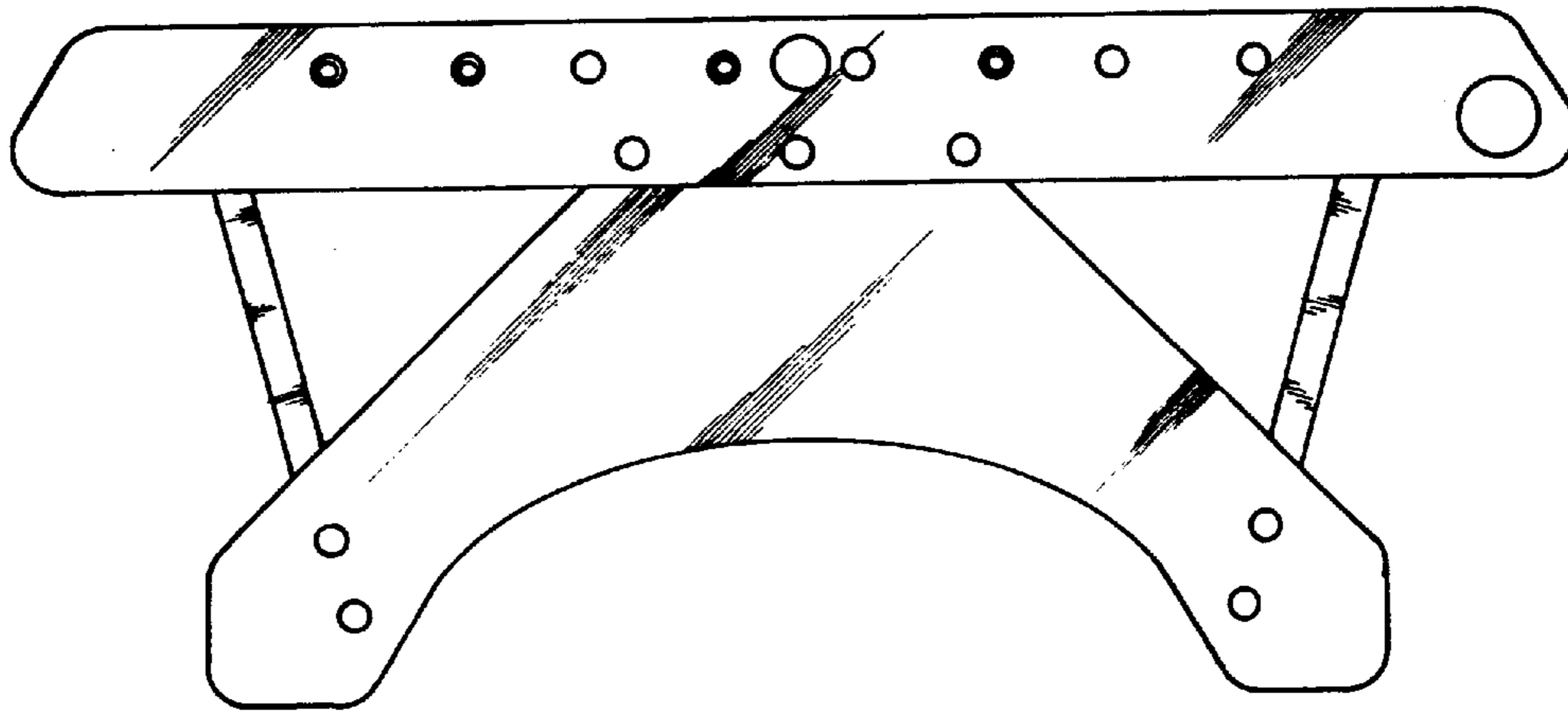


FIG. 3

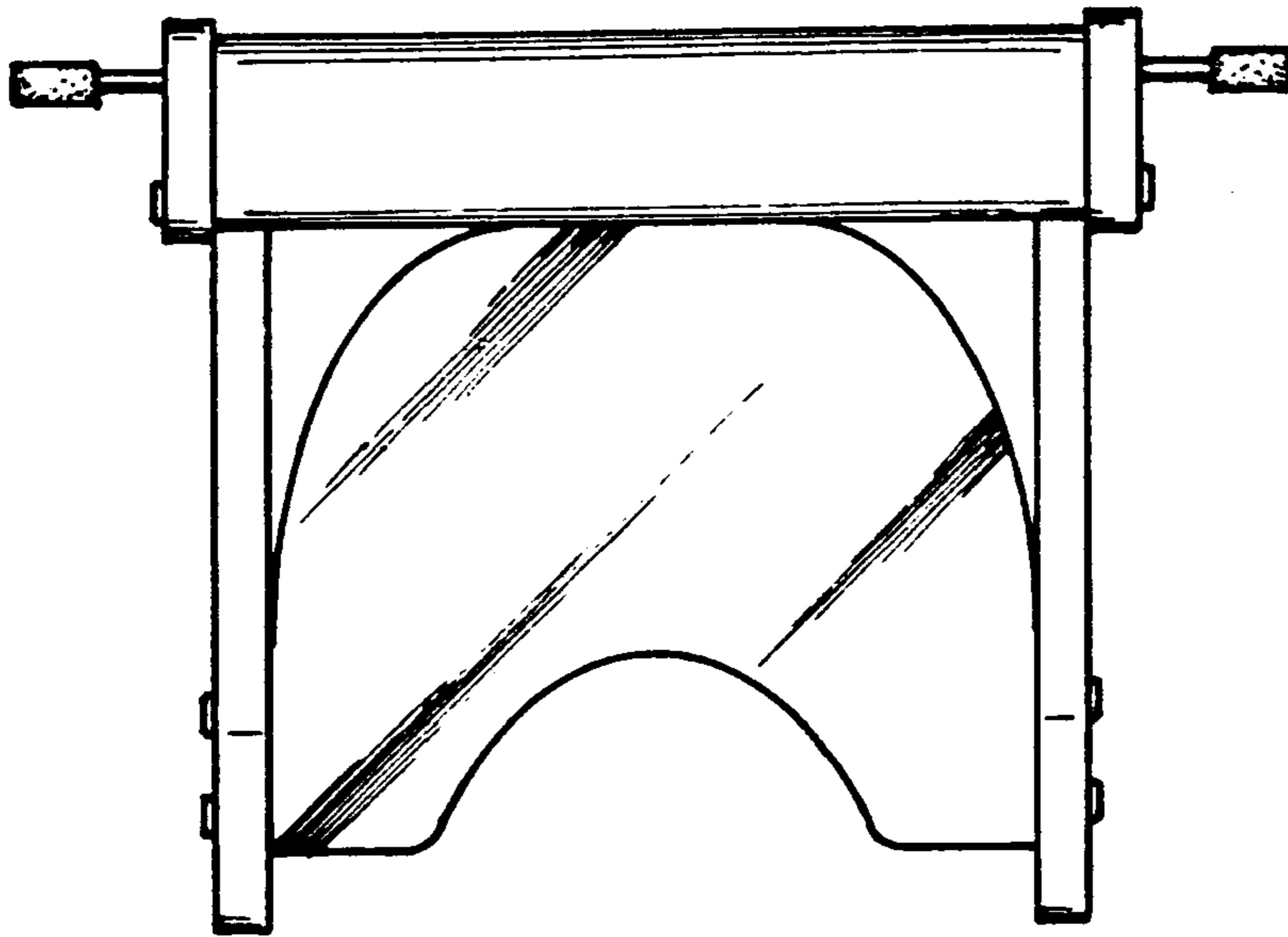


FIG. 4

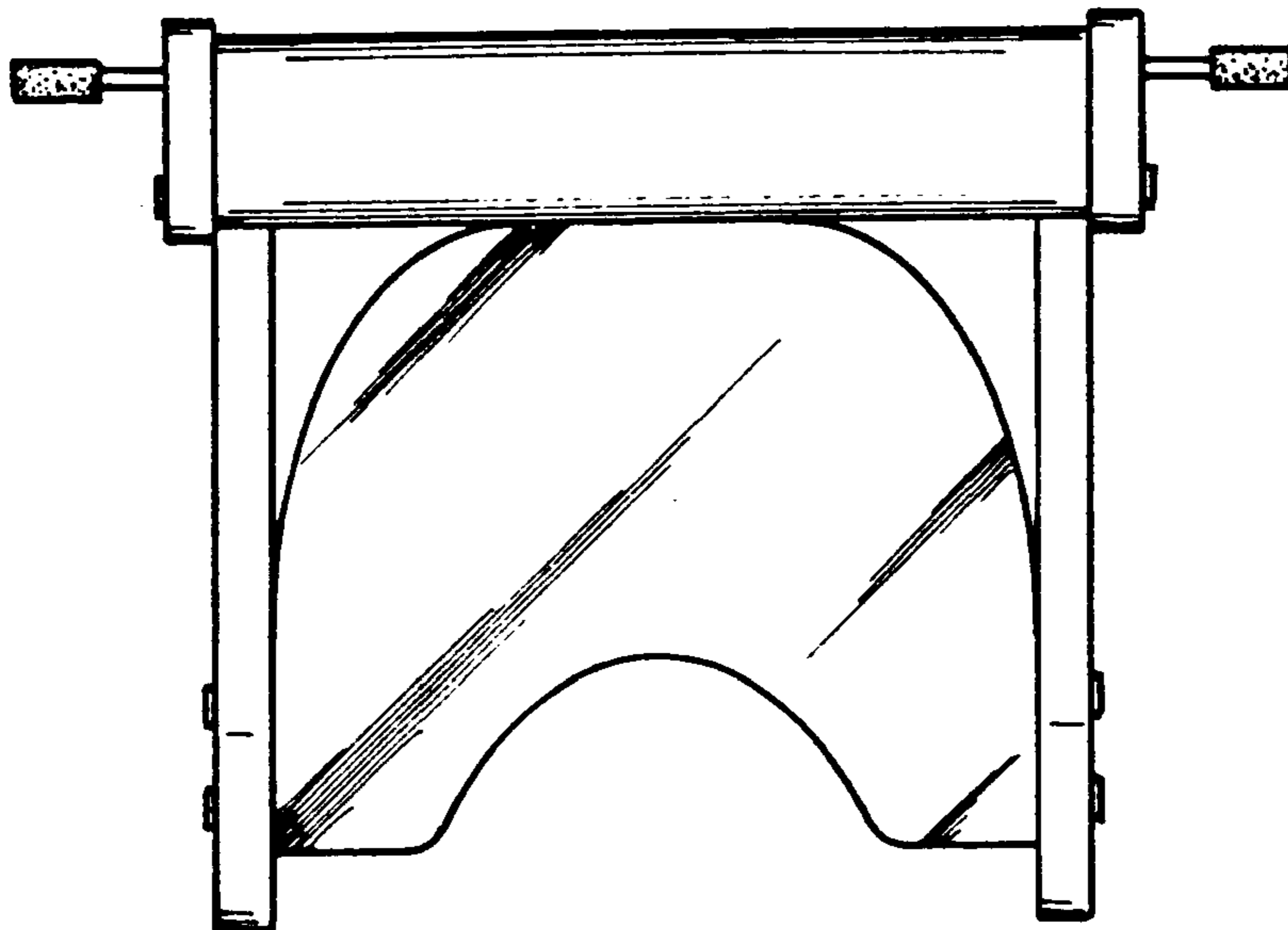


FIG. 5

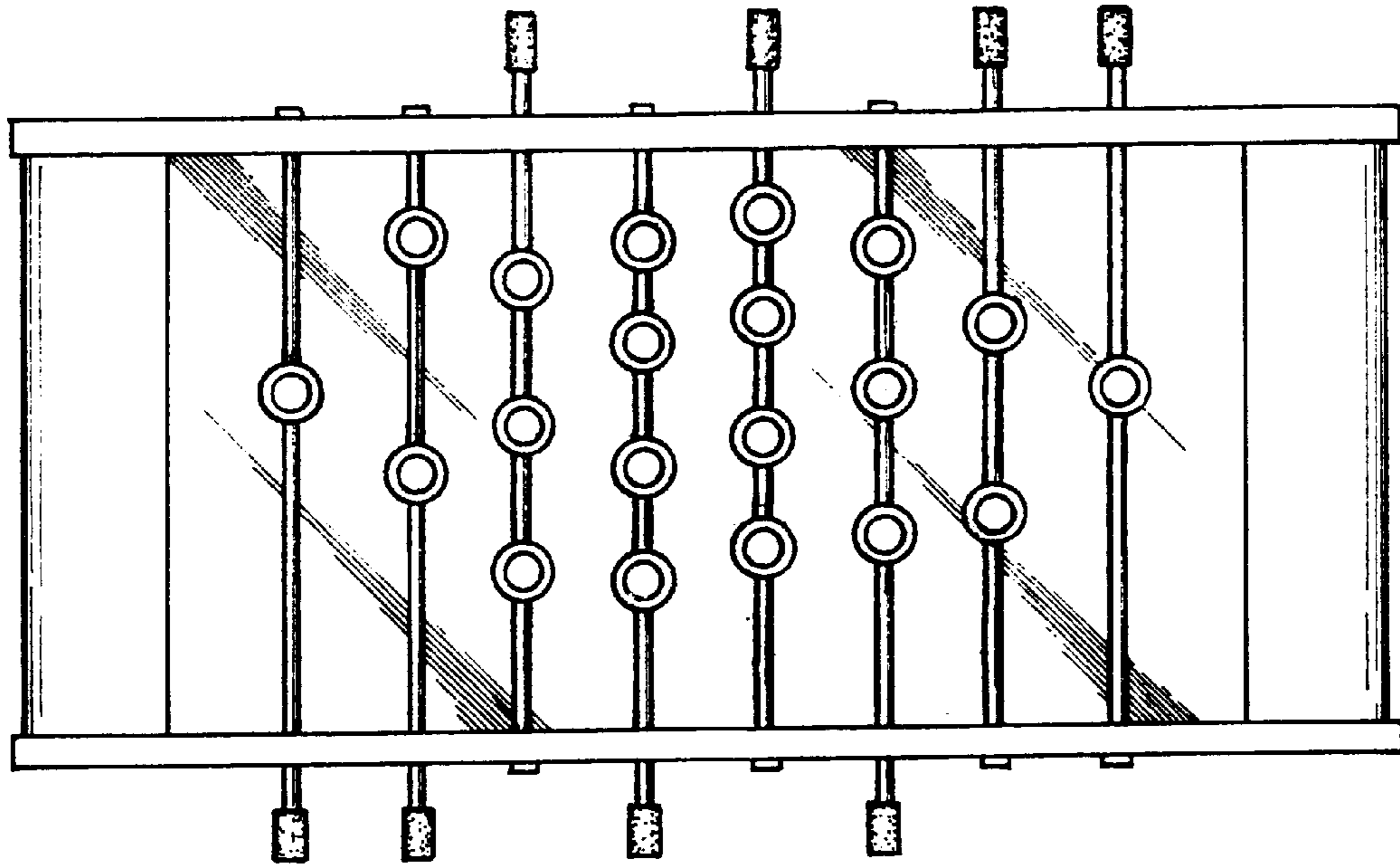


FIG. 6

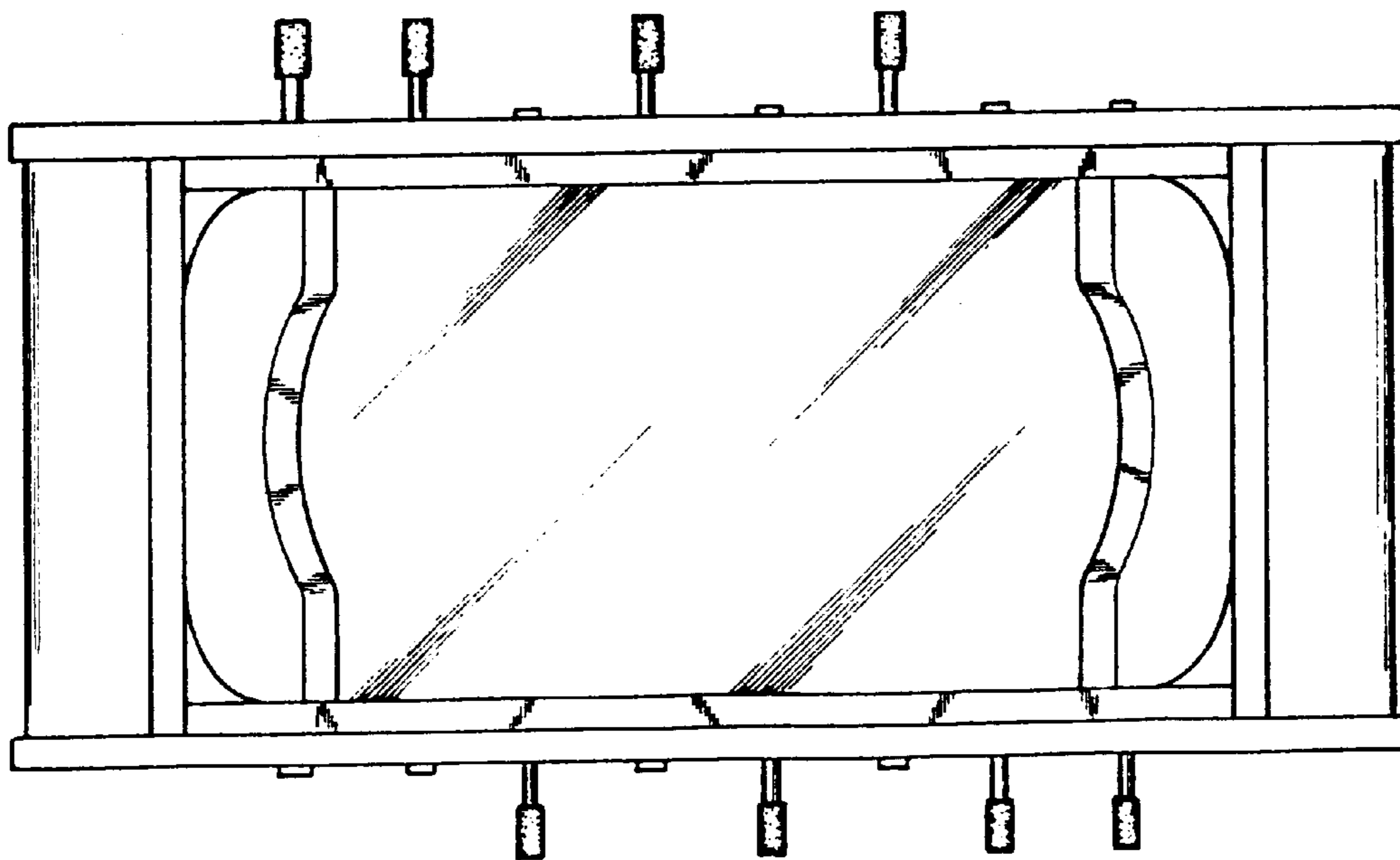


FIG. 7