



US00D425568S

United States Patent [19]
Muraki et al.

[11] **Patent Number: Des. 425,568**
[45] **Date of Patent: ** May 23, 2000**

[54] **TABLE FOR USE IN A TABLE TENNIS GAME MACHINE**

[75] Inventors: **Hiroyuki Muraki; Kojiro Minami; Hirofumi Fujimoto; Hideki Kotani**, all of Kobe, Japan

[73] Assignee: **Konami Co., Ltd.**, Hyogo-ken, Japan

[**] Term: **14 Years**

[21] Appl. No.: **29/084,872**

[22] Filed: **Mar. 12, 1998**

[30] **Foreign Application Priority Data**

Sep. 17, 1997 [JP] Japan 9-68269

[51] **LOC (7) Cl.** **21-01**

[52] **U.S. Cl.** **D21/314; D21/397; D21/698**

[58] **Field of Search** **D21/397, 312, D21/314, 324, 328, 698, 799; 473/496**

[56] **References Cited**

U.S. PATENT DOCUMENTS

D. 260,154 8/1981 Dremel D21/397
2,632,546 3/1953 Mott 473/496
5,733,211 3/1998 Dupre 473/496

OTHER PUBLICATIONS

“A Table For Use in a Table Tennis Game Machine”, TSMA Yearbook, 1995/1996 Edition, p. 261

Primary Examiner—Ted Shooman
Assistant Examiner—Richelle Shelton
Attorney, Agent, or Firm—Jordan and Hamburg LLP

[57] **CLAIM**

The ornamental design for a table for use in a table tennis game machine, as shown and described.

DESCRIPTION

FIG. 1 is a perspective view of a table for use in a table tennis game machine;
FIG. 2 is a front view of the table for use in a table tennis game machine;
FIG. 3 is a rear view of the table for use in a table tennis game machine;
FIG. 4 is a left side view of the table for use in a table tennis game machine;
FIG. 5 is a right side view of the table for use in a table tennis game machine;
FIG. 6 is a top view of the table for use in a table tennis game machine;
FIG. 7 is a bottom view of the table for use in a table tennis game machine;
FIG. 8 is a sectional view taken along the line VIII—VIII in FIG. 2; and,
FIG. 9 is a sectional view taken along the line IX—IX in FIG. 4.

1 Claim, 8 Drawing Sheets

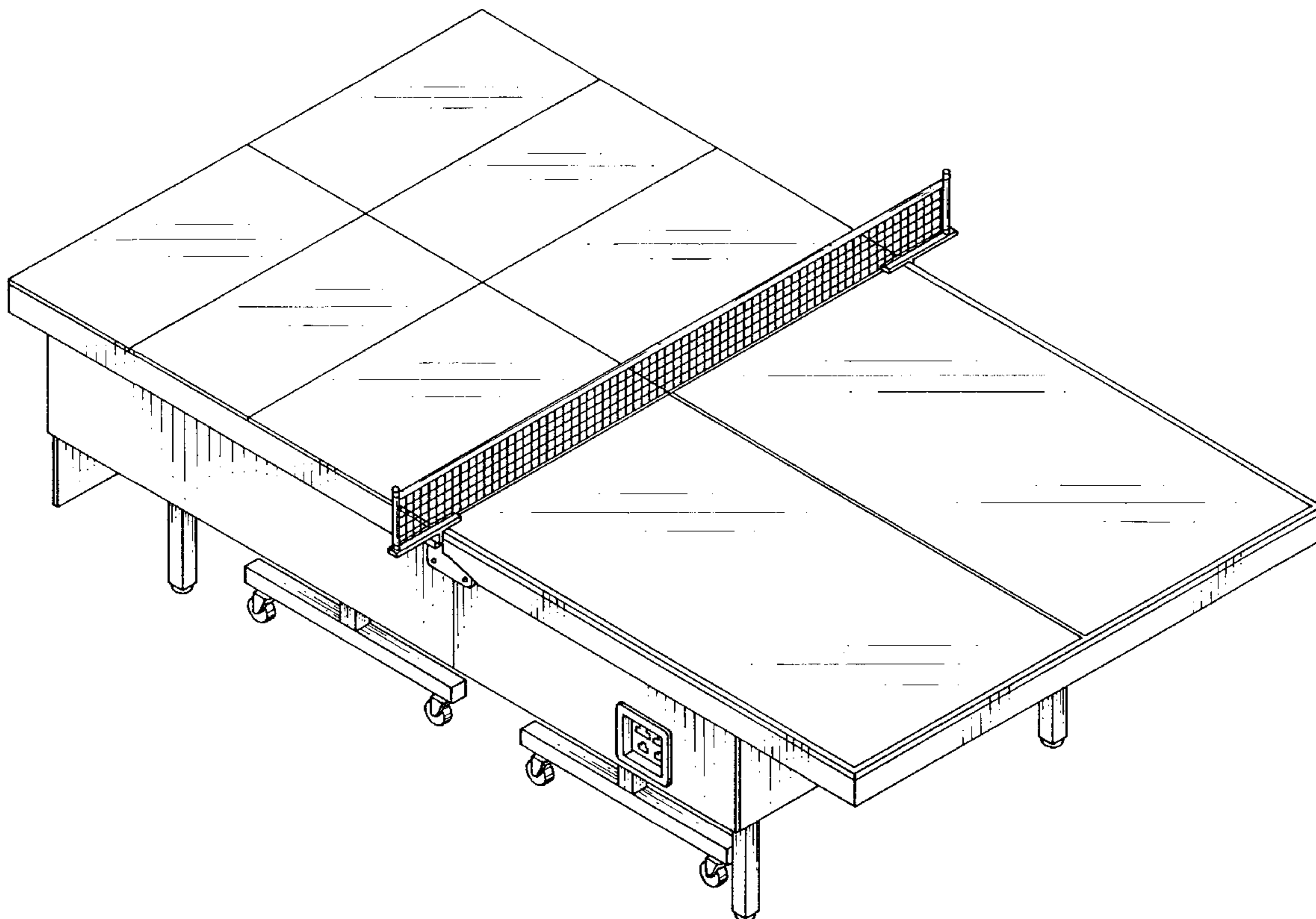


FIG. 1

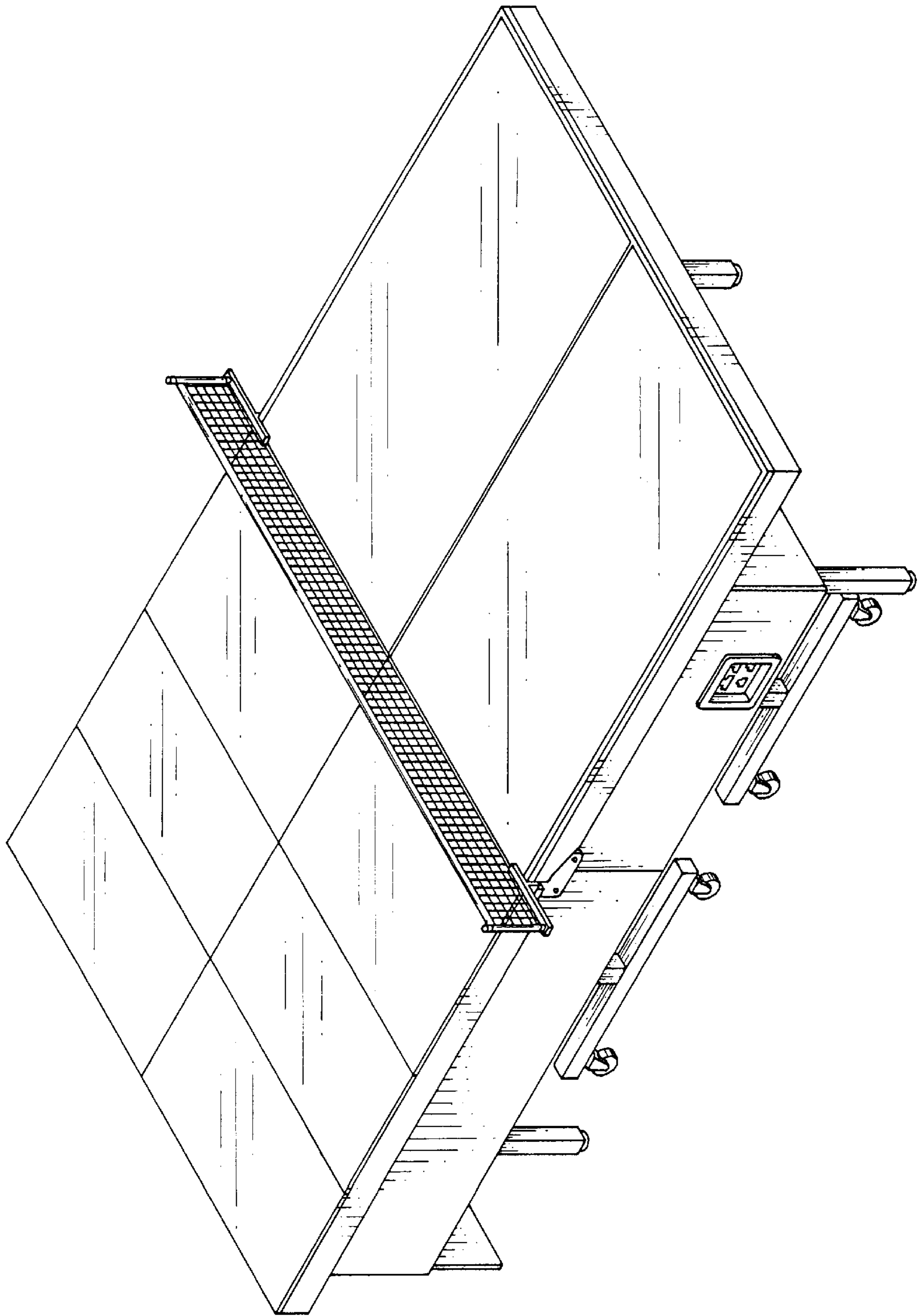


FIG. 2

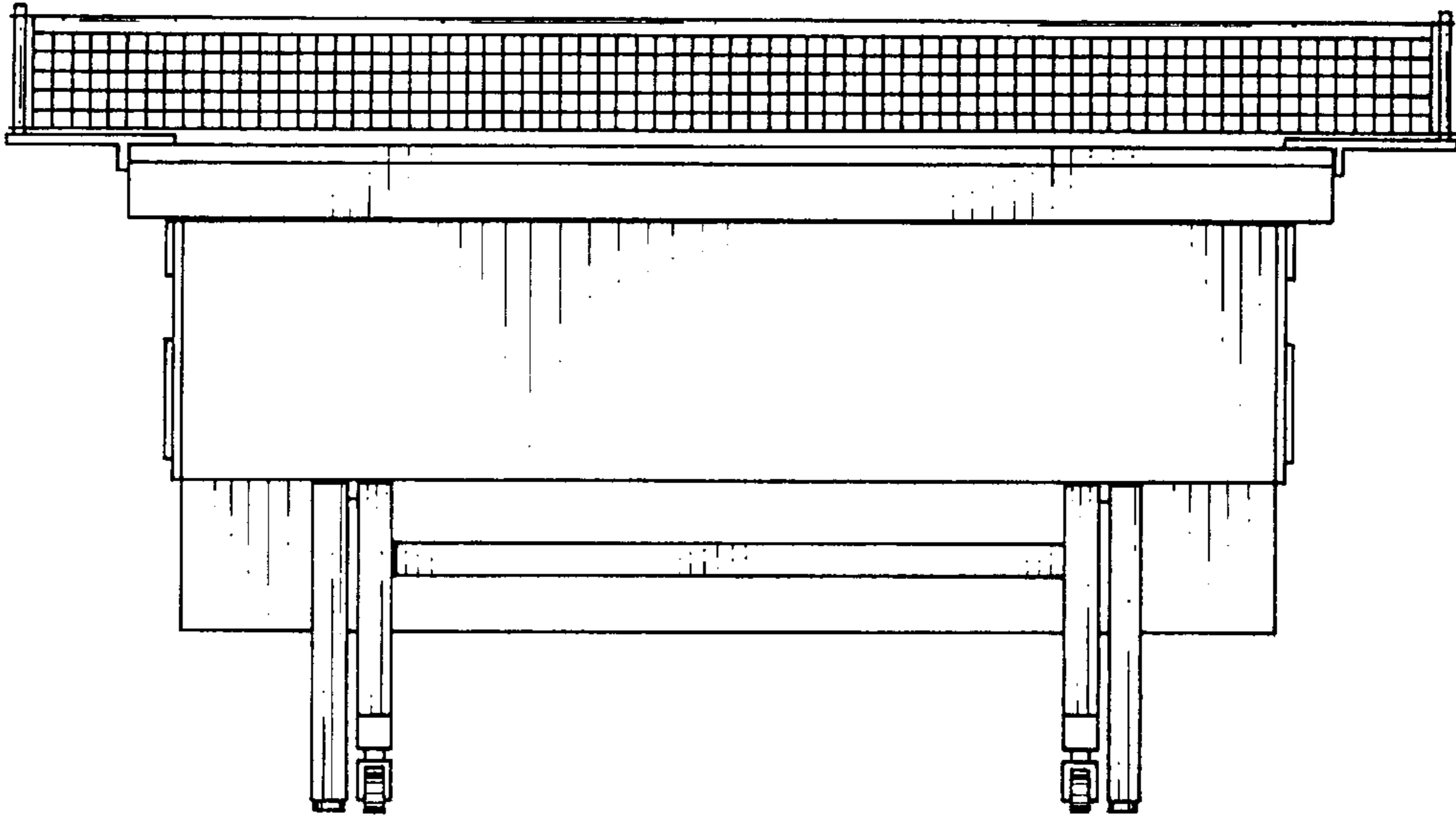
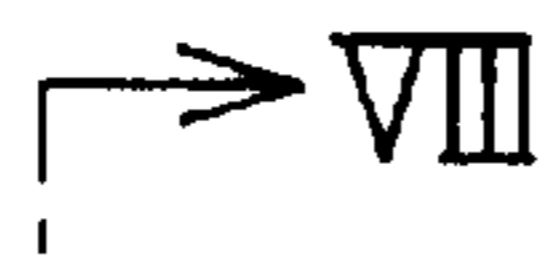


FIG. 3

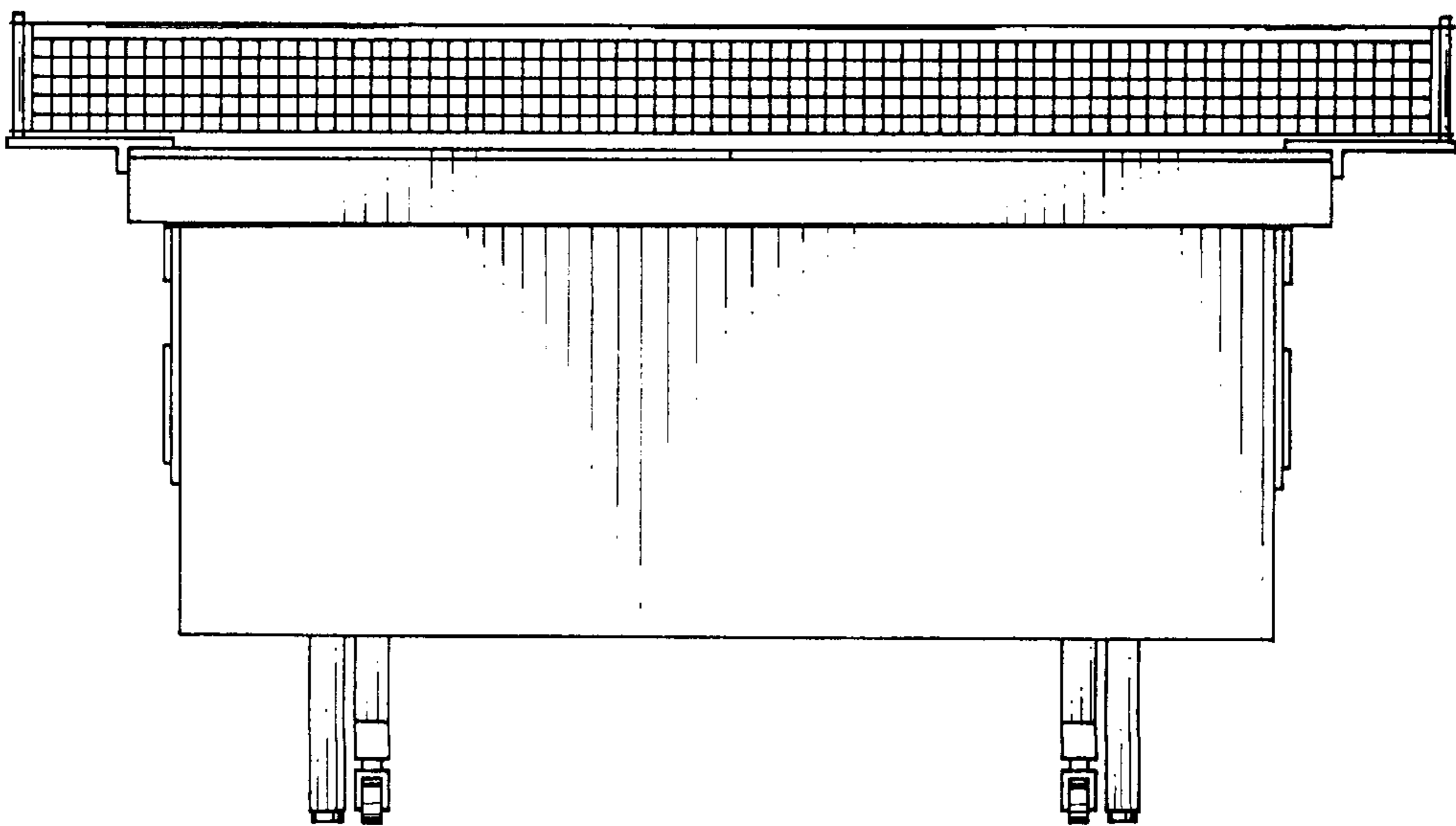


FIG. 4

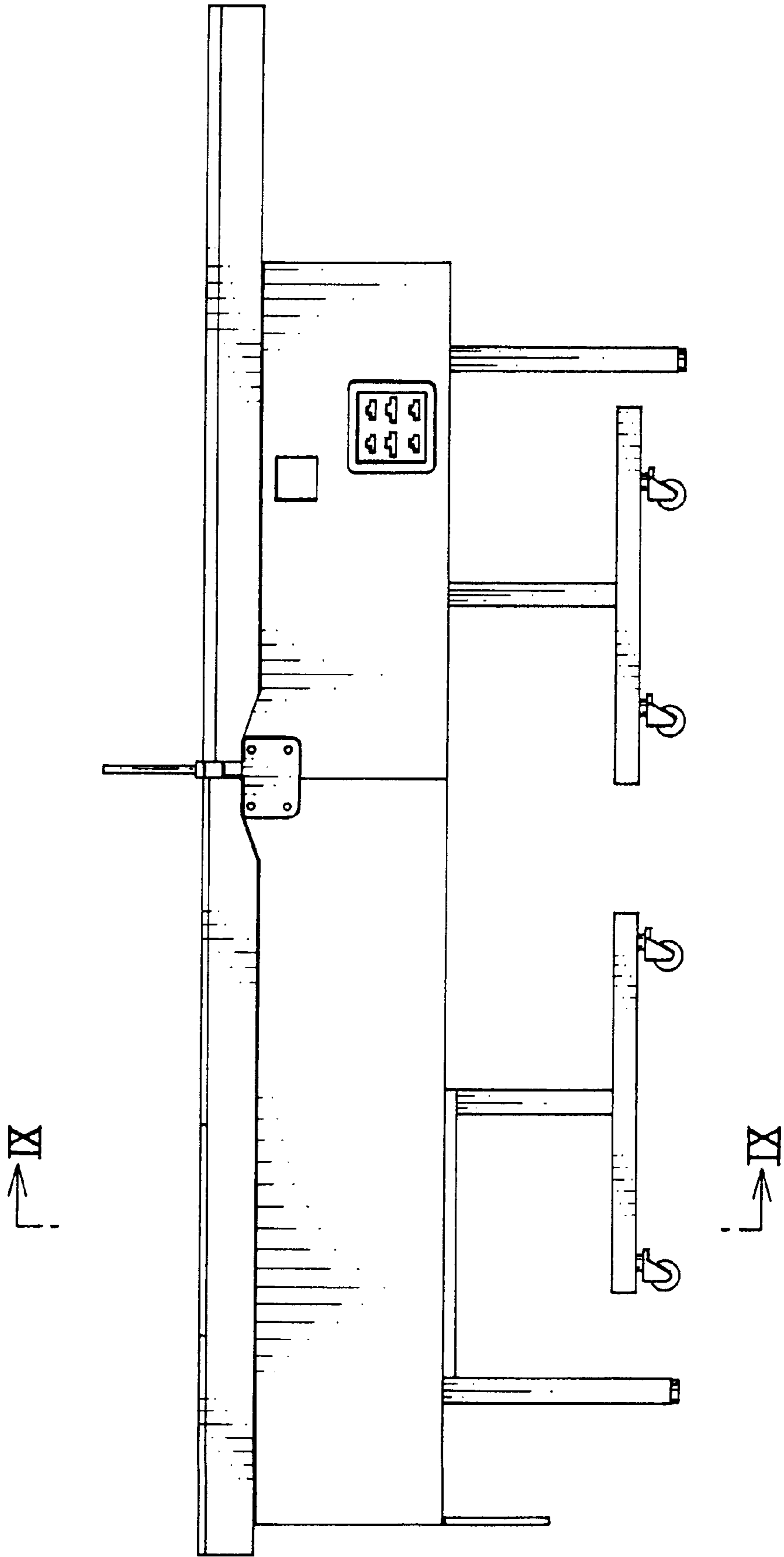


FIG. 5

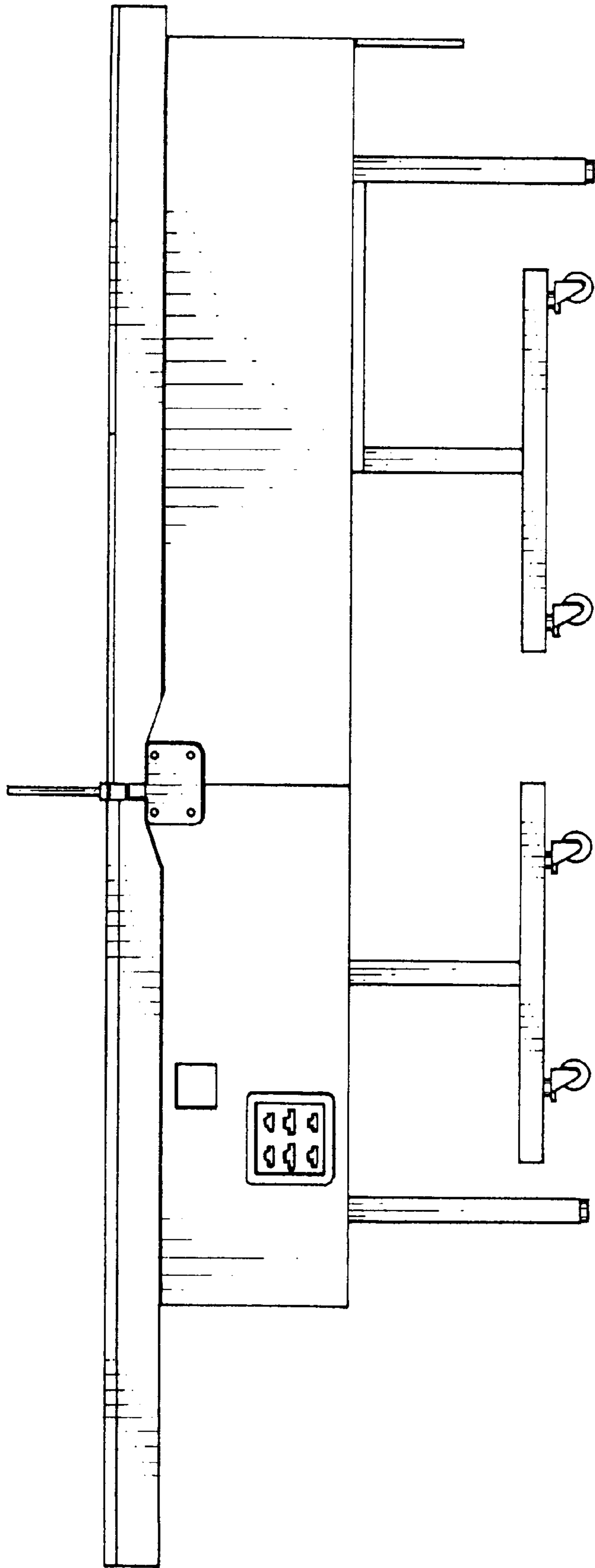


FIG. 6

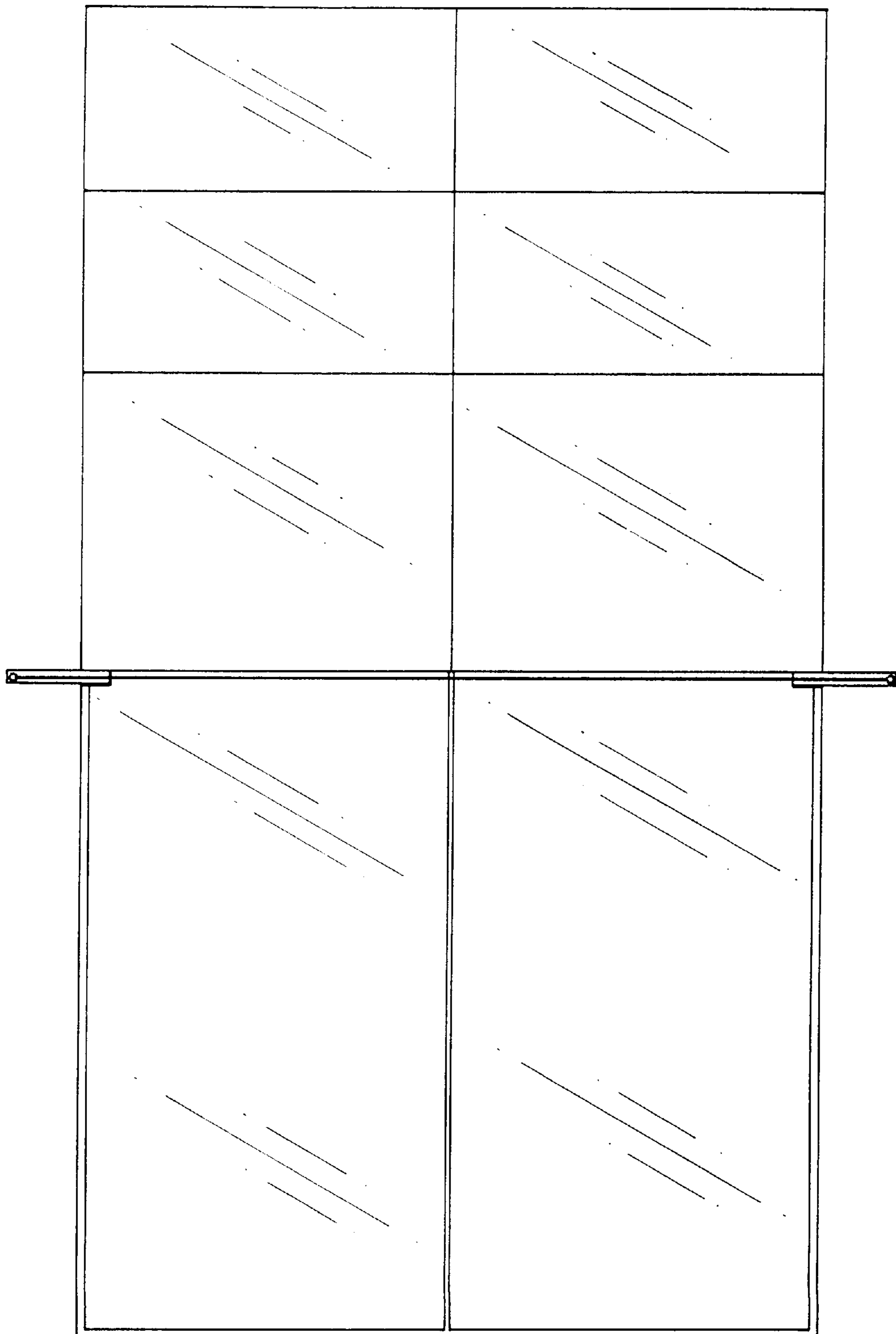


FIG. 7

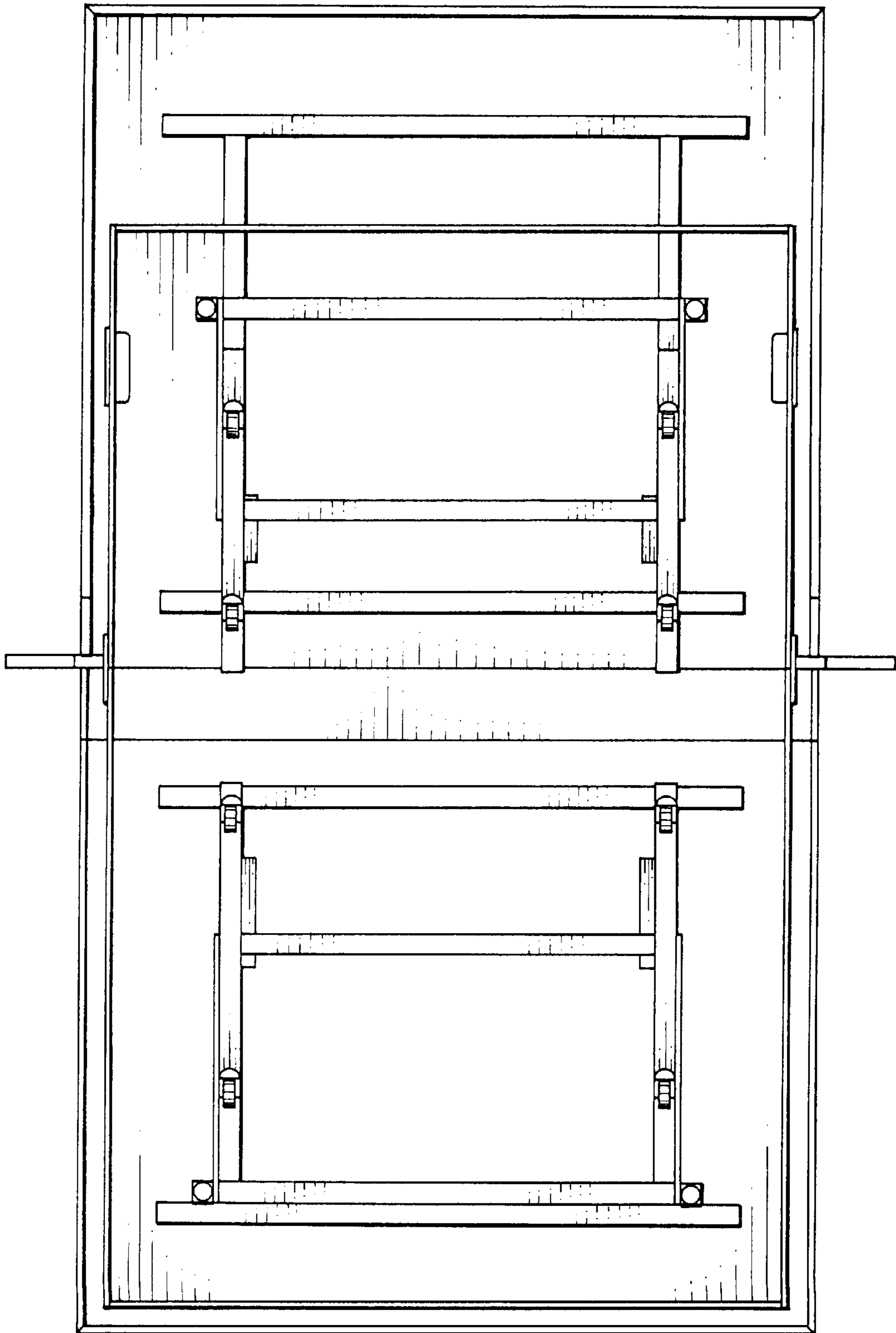


FIG. 8

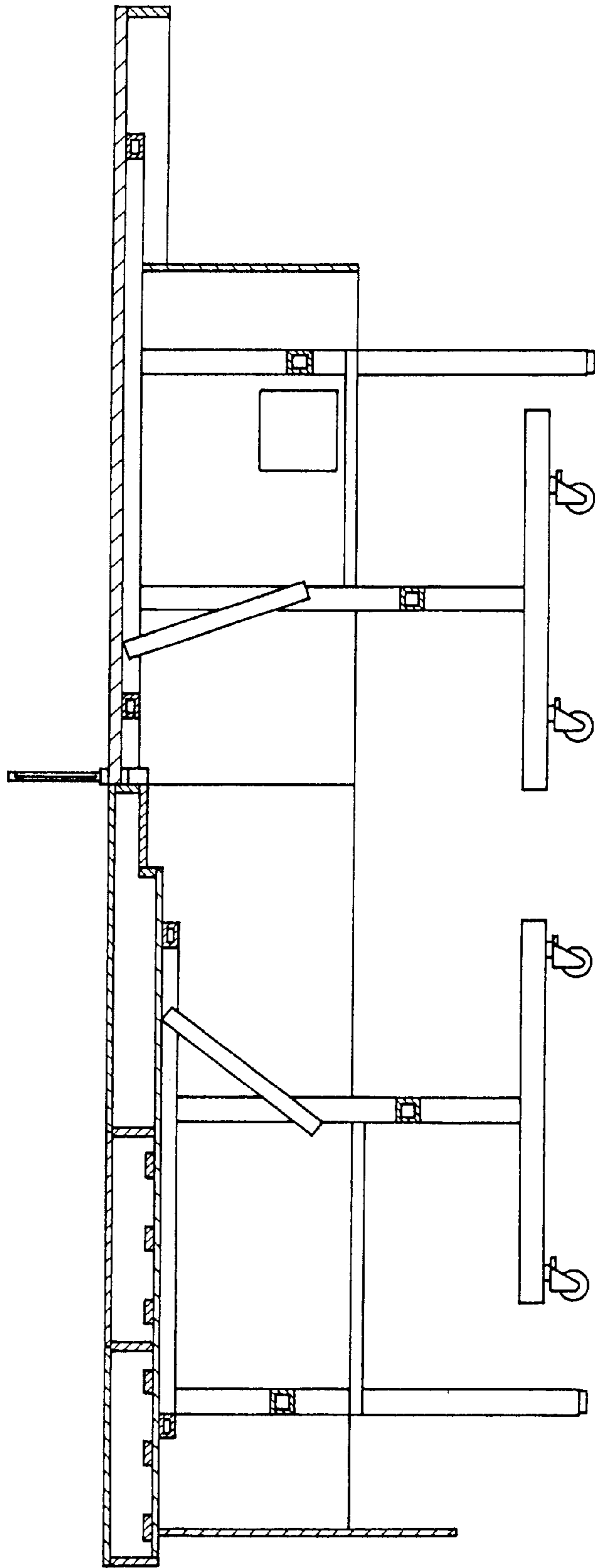


FIG. 9

