



US00D425567S

United States Patent [19] Taylor

[11] Patent Number: **Des. 425,567**

[45] Date of Patent: **** May 23, 2000**

[54] **SLING SLOT SAFARI GAME**

5,803,067 9/1998 Ellenburg et al. 124/20.1

[76] Inventor: **Randy K Taylor**, 414 Lake Placid Dr.,
Bonaire, Ga. 31005

OTHER PUBLICATIONS

Barnett International Inc. p. 16, Jan. 1991.

[**] Term: **14 Years**

Primary Examiner—Prabhakar Deshmukh

[21] Appl. No.: **29/069,155**

[57] CLAIM

[22] Filed: **Apr. 10, 1997**

The ornamental design for a sling shot safari game, as shown and described.

[51] **LOC (7) Cl.** **21-01**

[52] **U.S. Cl.** **D21/301**

[58] **Field of Search** D21/300–302,
D21/306, 339, 360, 383; 273/241, 244,
277; D22/101, 106; 124/17–29

DESCRIPTION

FIG. 1 is a front plan view of the sling shot safari game of the present invention;

FIG. 2 is a back plan view of the sling shot safari game of FIG. 1;

FIG. 3 is a left side plan view of the sling shot safari game of FIG. 1;

FIG. 4 is a right side plan view of the sling shot safari game of FIG. 1;

FIG. 5 is a top plan view of the sling shot safari game of FIG. 1; and,

FIG. 6 is a bottom plan view of the sling shot safari game of FIG. 1.

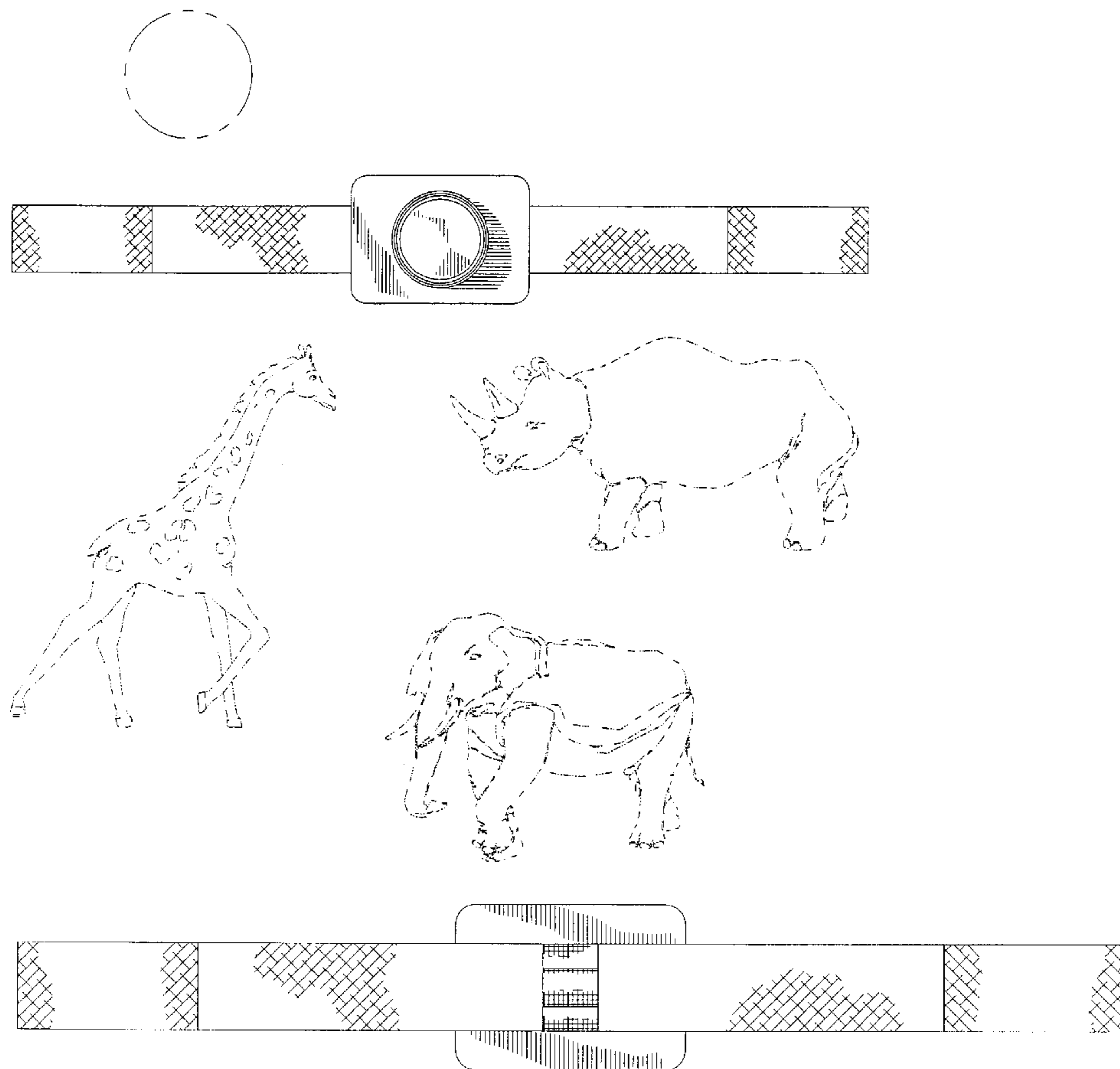
The broken line showing of animal figures and circular object is for illustrative purpose only and forms no part of the claimed design.

[56] References Cited

U.S. PATENT DOCUMENTS

D. 322,832	12/1991	Ferguson et al.	D22/106
D. 334,613	4/1993	Laidley	D22/106
D. 360,672	7/1995	Morton	D22/106
D. 386,540	11/1997	Fowler	D21/360
878,334	2/1908	Bowers	273/244
951,701	3/1910	Roblin	273/277
5,016,601	5/1991	Ferguson et al.	D22/106 X
5,120,065	6/1992	Driscoll et al.	273/237
5,127,389	7/1992	Magnuson	124/17
5,632,262	5/1997	Hanson	124/20.1
5,762,056	6/1998	Kysika	124/20.3

1 Claim, 4 Drawing Sheets



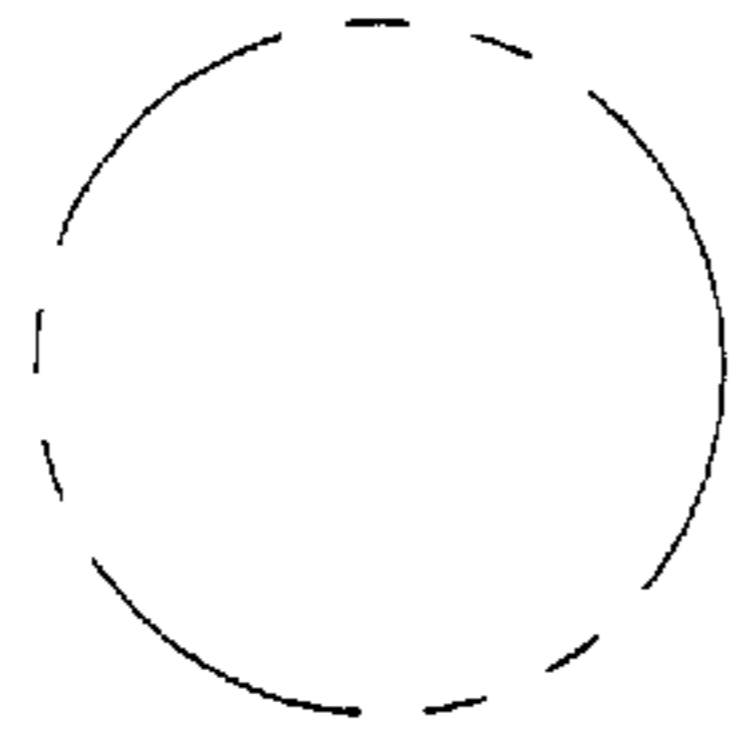


Fig. 1

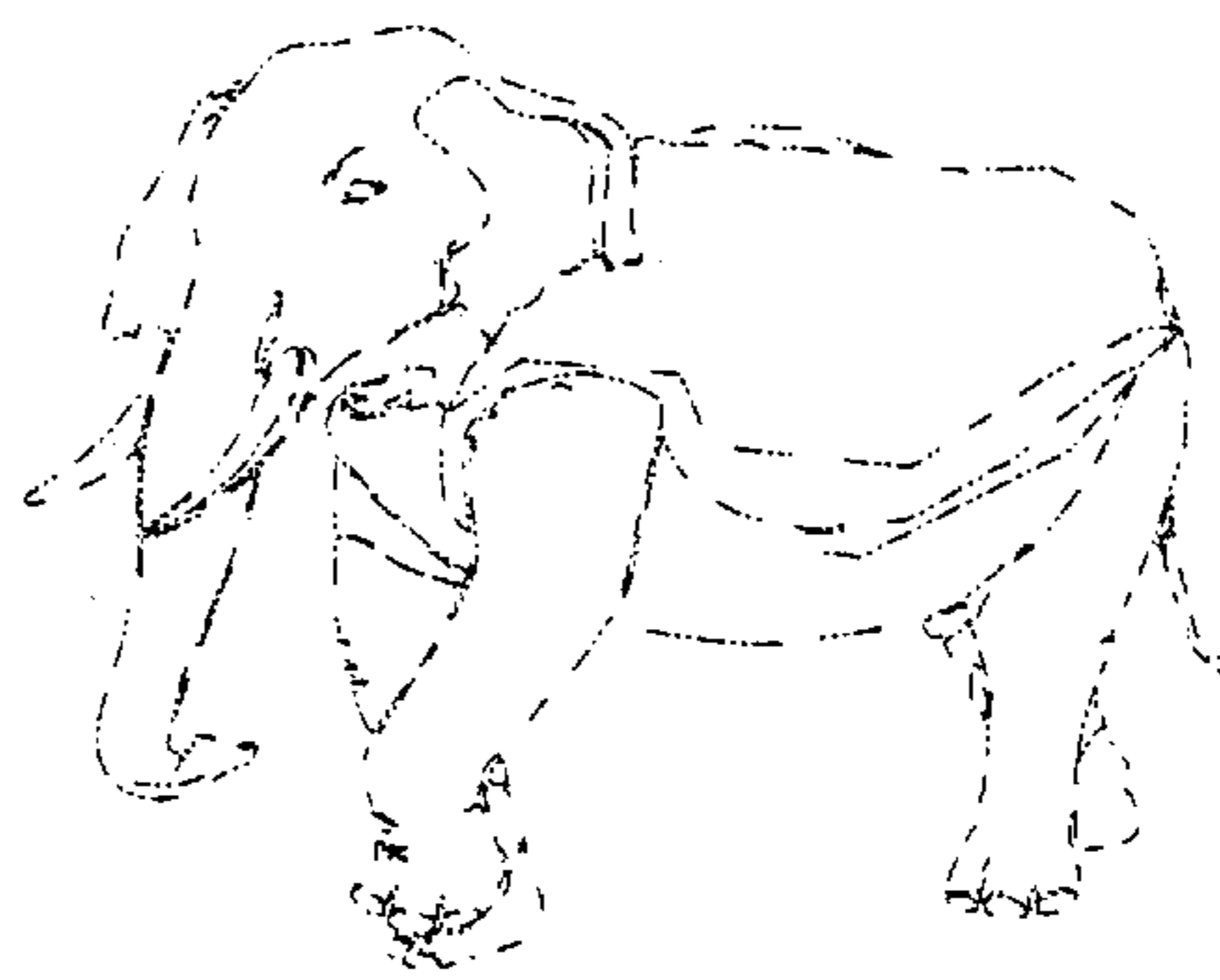
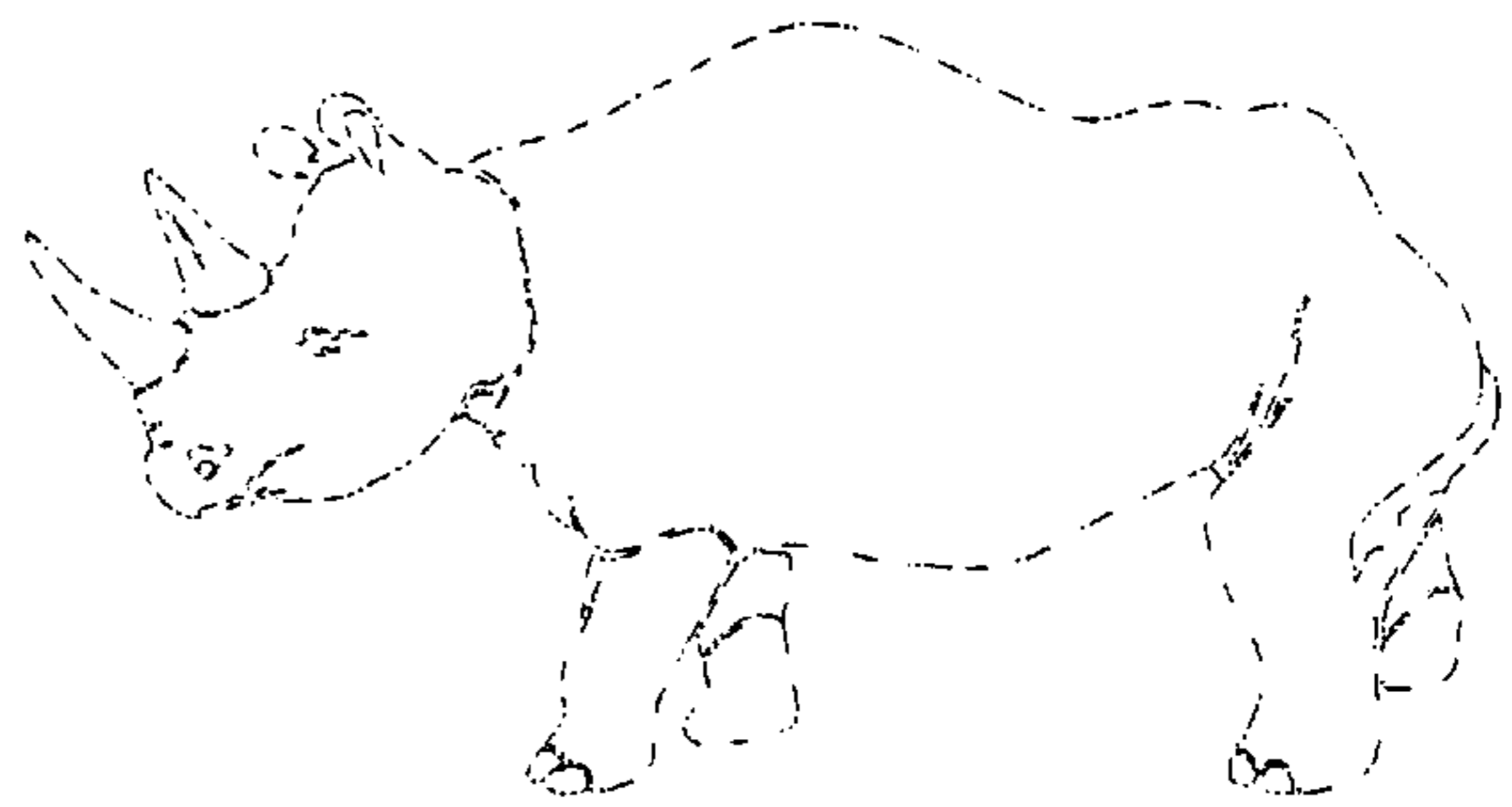
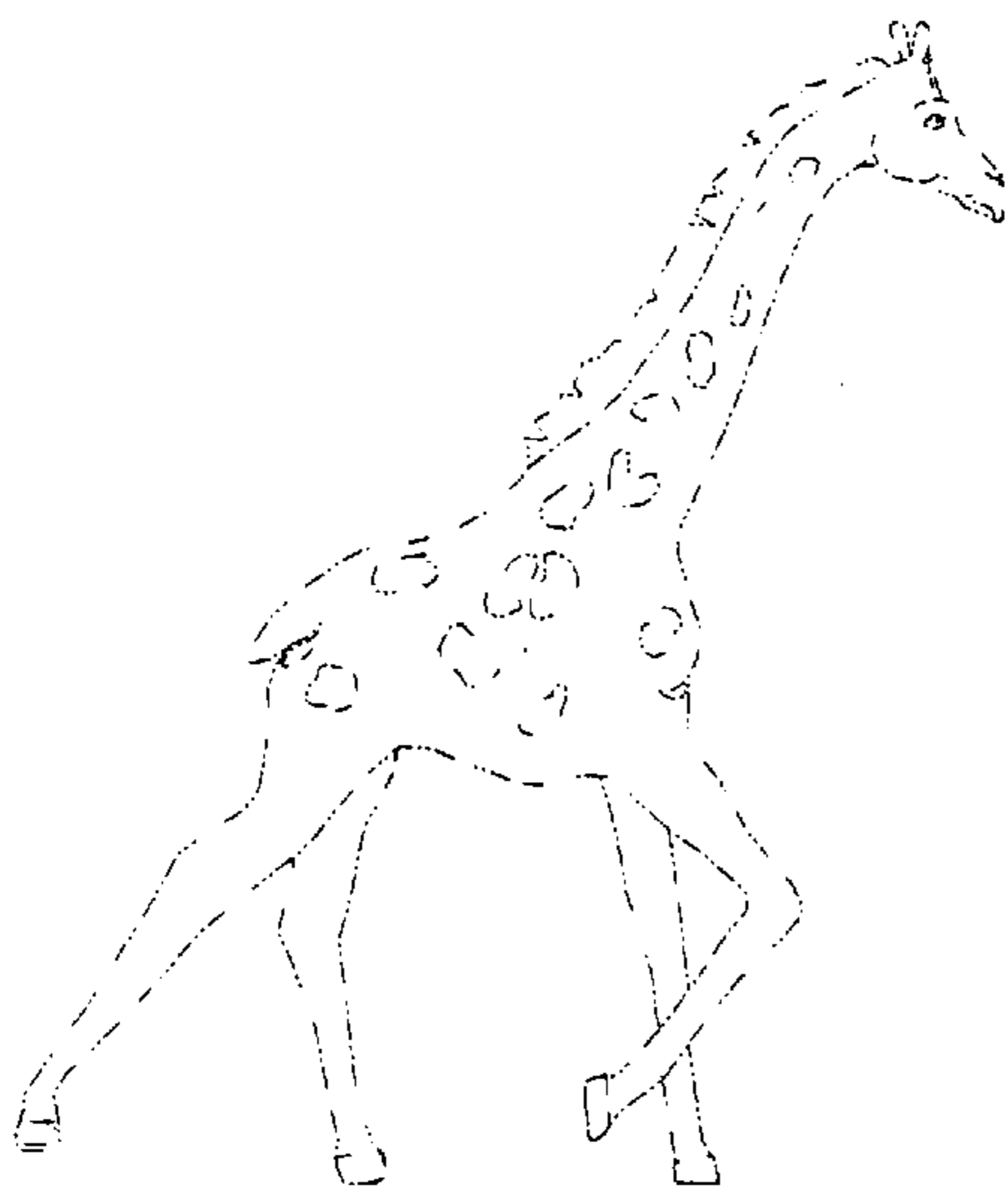
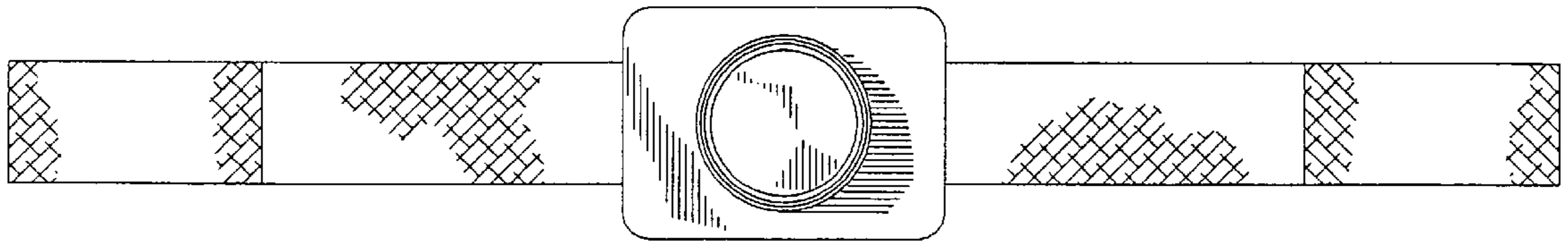
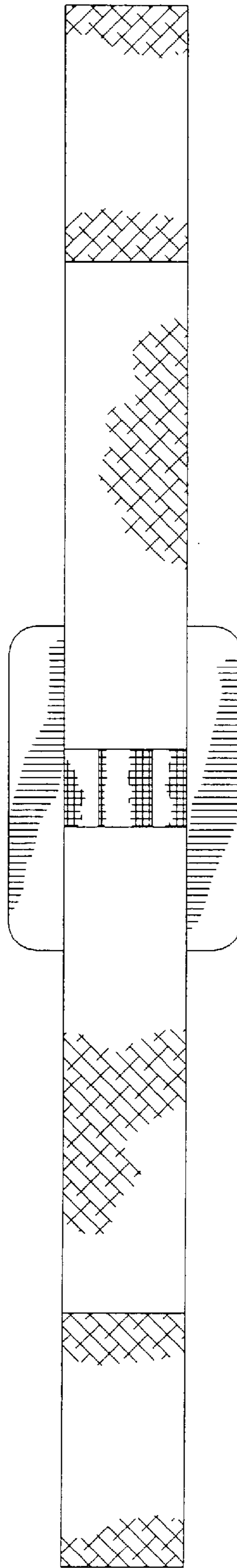


Fig. 2



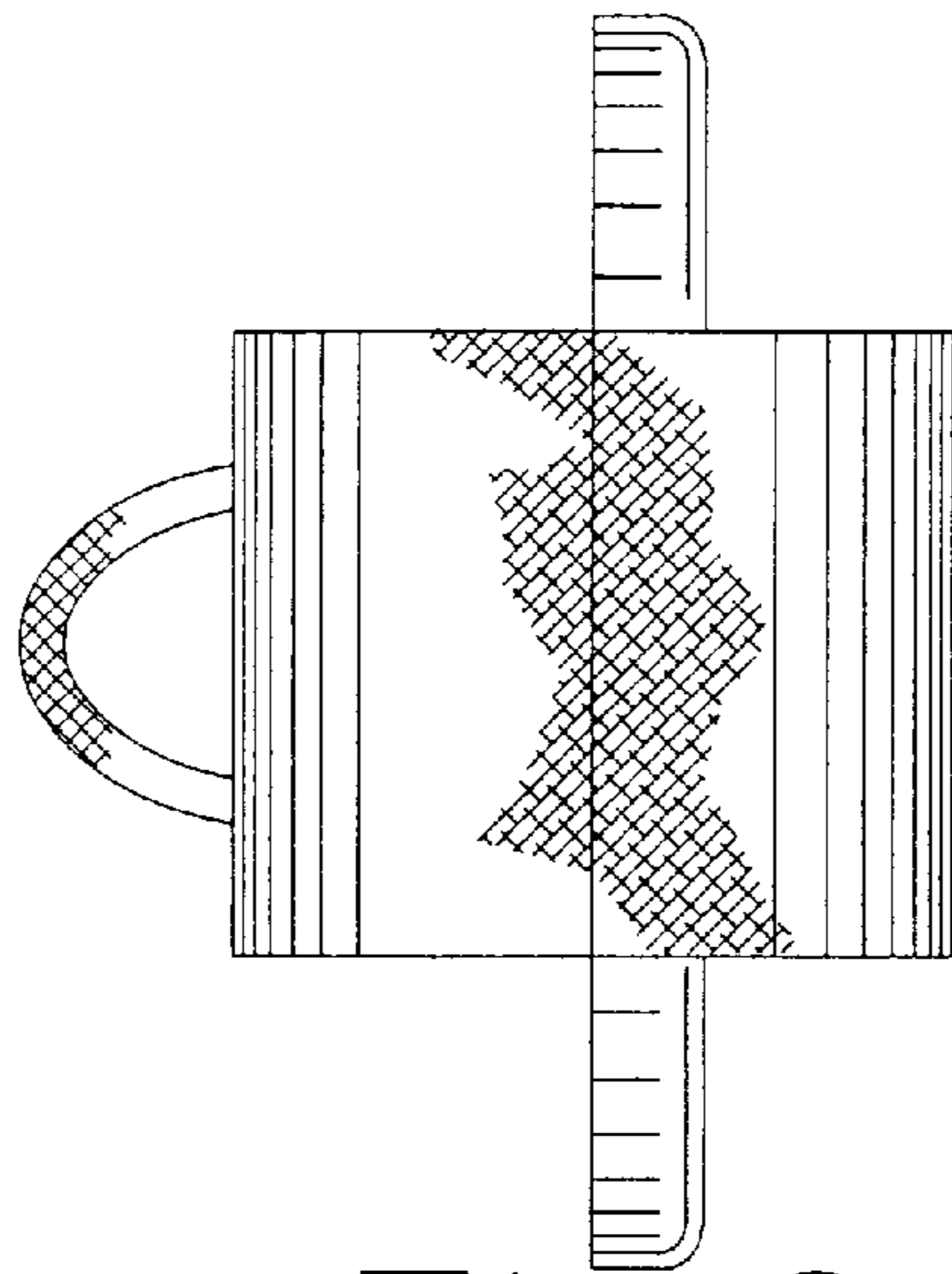


Fig. 3

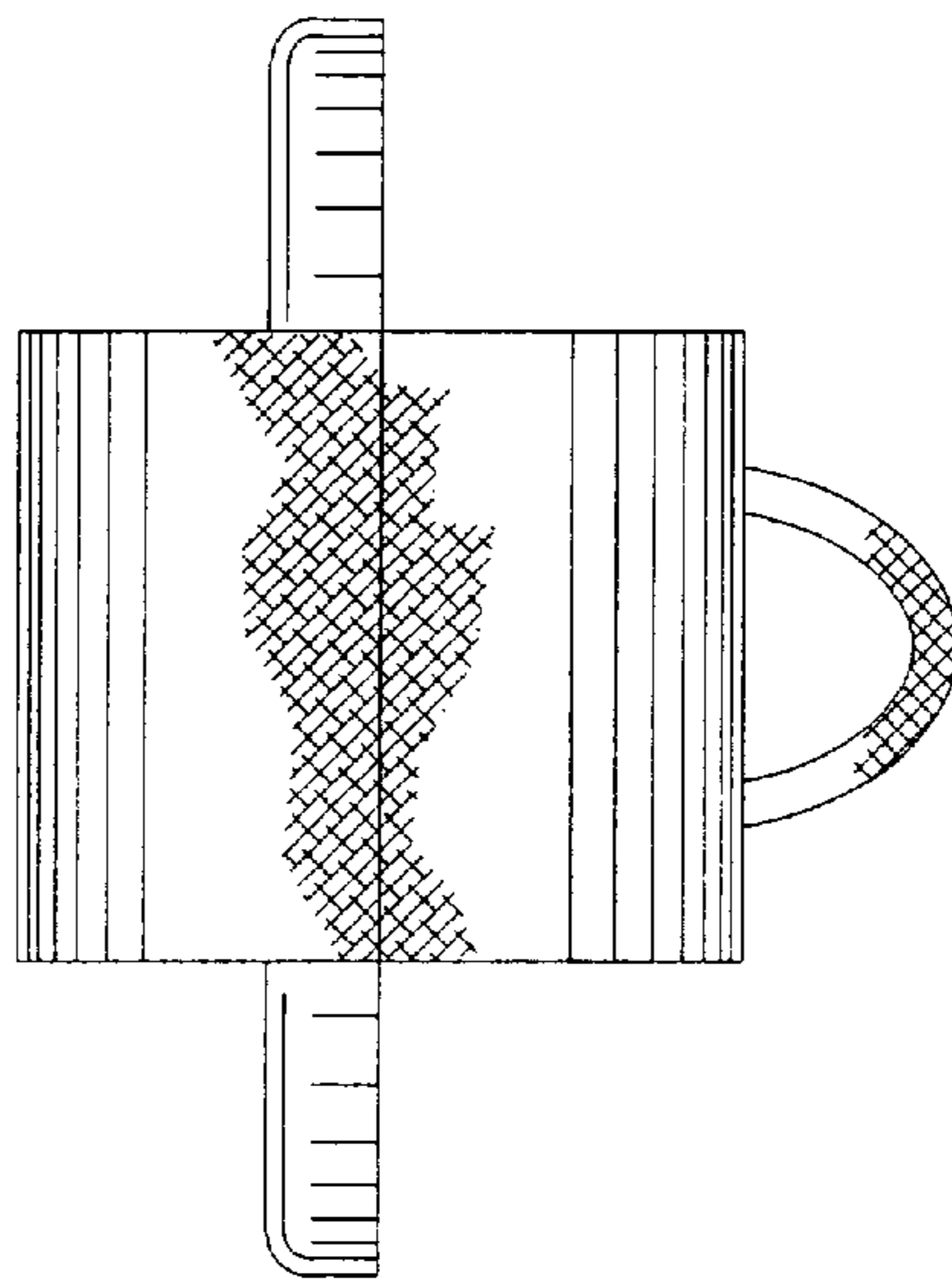


Fig. 4

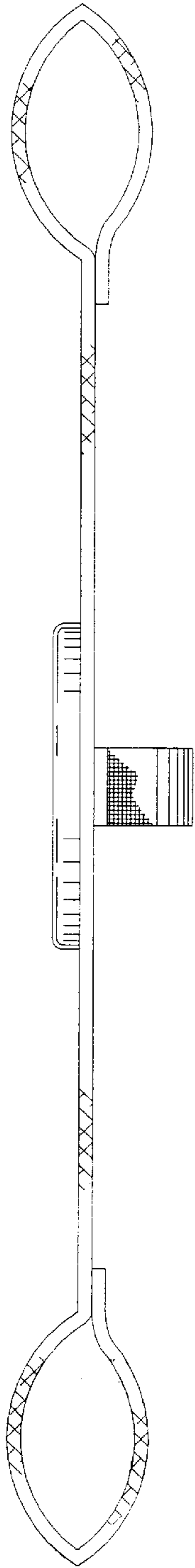


Fig. 6

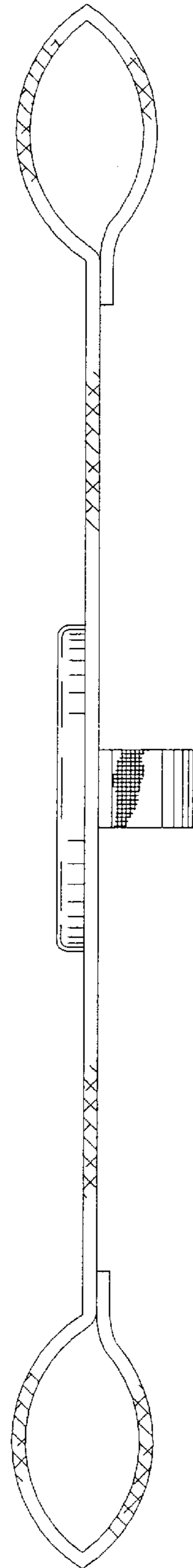


Fig. 5