



US00D425566S

United States Patent [19]
Mueller et al.

[11] **Patent Number: Des. 425,566**
[45] **Date of Patent: ** May 23, 2000**

[54] **LABEL HOLDER**

[75] Inventors: **Paul A. Mueller**, Wadsworth; **Daniel J. Kump**, Gates Mills, both of Ohio

[73] Assignee: **Fasteners For Retail, Inc.**, Cleveland, Ohio

[**] Term: **14 Years**

[21] Appl. No.: **29/101,782**

[22] Filed: **Mar. 11, 1999**

[51] **LOC (7) Cl.** **20-02**

[52] **U.S. Cl.** **D20/43**

[58] **Field of Search** D20/10, 43, 44;
40/360, 1.5, 642.02, 646, 649, 651, 652,
653, 654.01, 661.06, 661.08, 661.07, 658

[56] **References Cited**

U.S. PATENT DOCUMENTS

D. 245,066	7/1977	Taub	D20/44 X
D. 290,025	5/1987	Cole	D20/27
4,281,469	8/1981	Feibelman	40/651
5,044,104	9/1991	Hopperdietzel .	
5,197,215	3/1993	Torsleff .	
5,456,034	10/1995	Lewis et al. .	
5,488,793	2/1996	Gebka et al. .	
5,515,632	5/1996	Gebka et al. .	
5,815,970	10/1998	Thalenfeld et al.	40/658 X
5,899,011	5/1999	Brinkman	40/642.02 X

FOREIGN PATENT DOCUMENTS

0 511 468 11/1992 European Pat. Off. .
39 00 904 2/1990 Germany .
91/05324 4/1991 WIPO .

OTHER PUBLICATIONS

Fastners for Retail Brochure of Apr. 1998, entitled "Fastners for Retail Yellow Pages", Cover, pp. 25, 31, 43, 64, 65, 69 and last page. Bentler GmbH Flyer, Circa 1993.
Fit-All Pricing Corporation Brochure, page 11, Pre-1993.
Aug. Fischer GmbH Flyer, Circa Apr. 1999.

Primary Examiner—Susan J. Lucas
Assistant Examiner—Jennifer Rivard
Attorney, Agent, or Firm—Fay, Sharpe, Fagan, Minnich & McKee, LLP

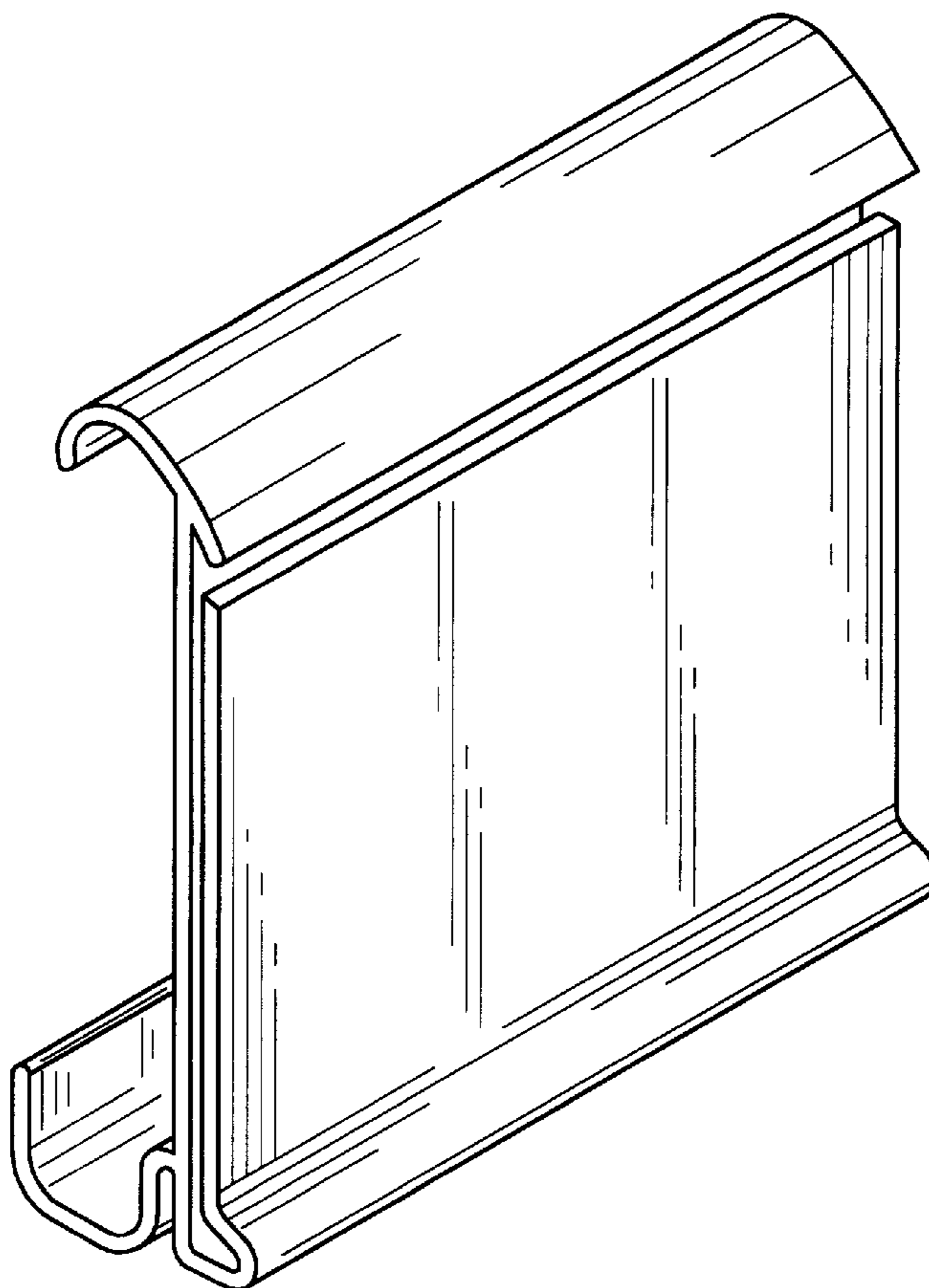
[57] **CLAIM**

The ornamental design for a label holder, as shown and described.

DESCRIPTION

FIG. 1 is a perspective view of a label holder showing our new design;
FIG. 2 is a front elevational view thereof;
FIG. 3 is a left side elevational view thereof, with the right side elevational view being a mirror image thereof;
FIG. 4 is a rear elevational view thereof;
FIG. 5 is a top plan view thereof; and,
FIG. 6 is a bottom plan view thereof.

1 Claim, 2 Drawing Sheets



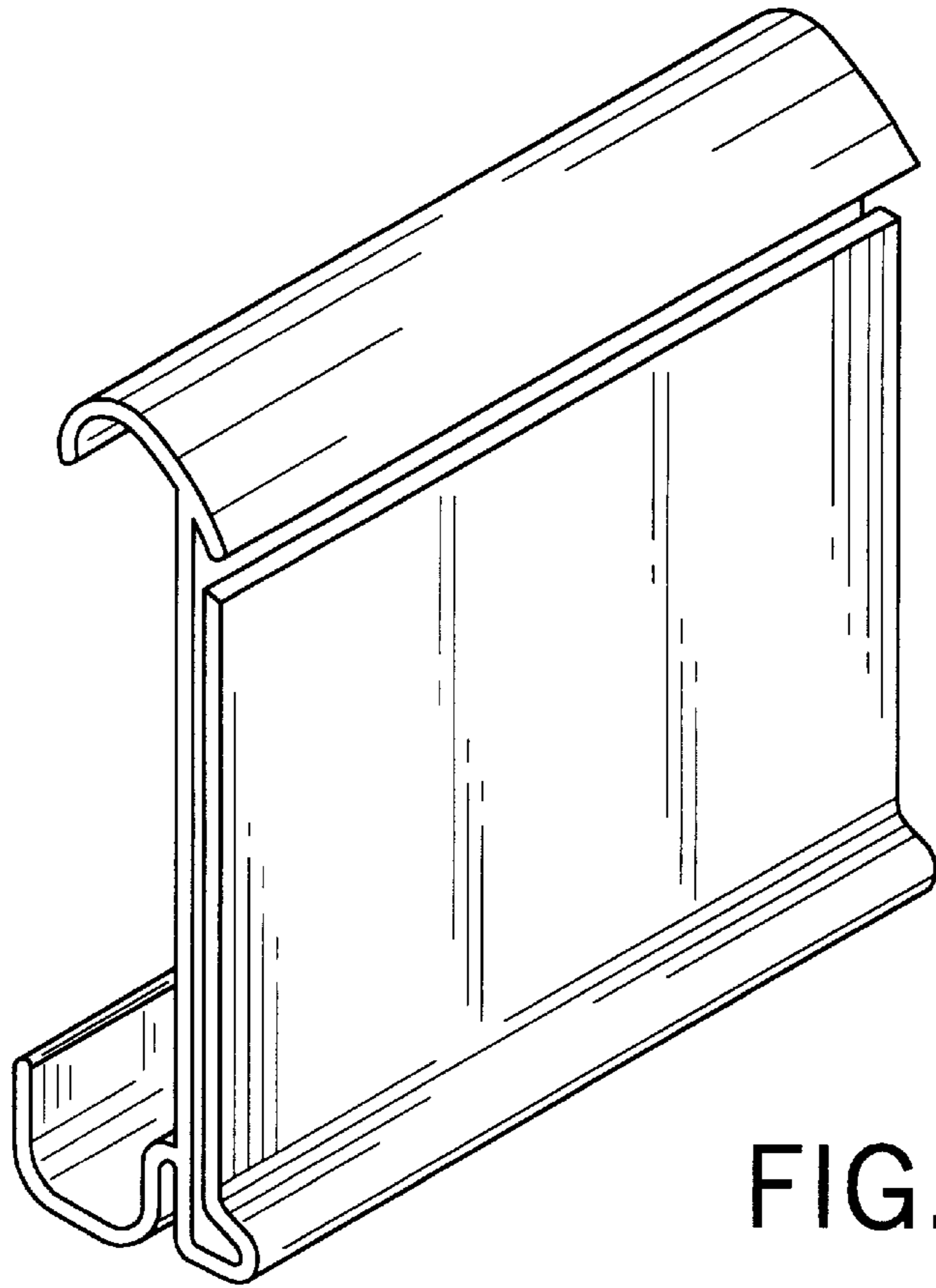


FIG. 1

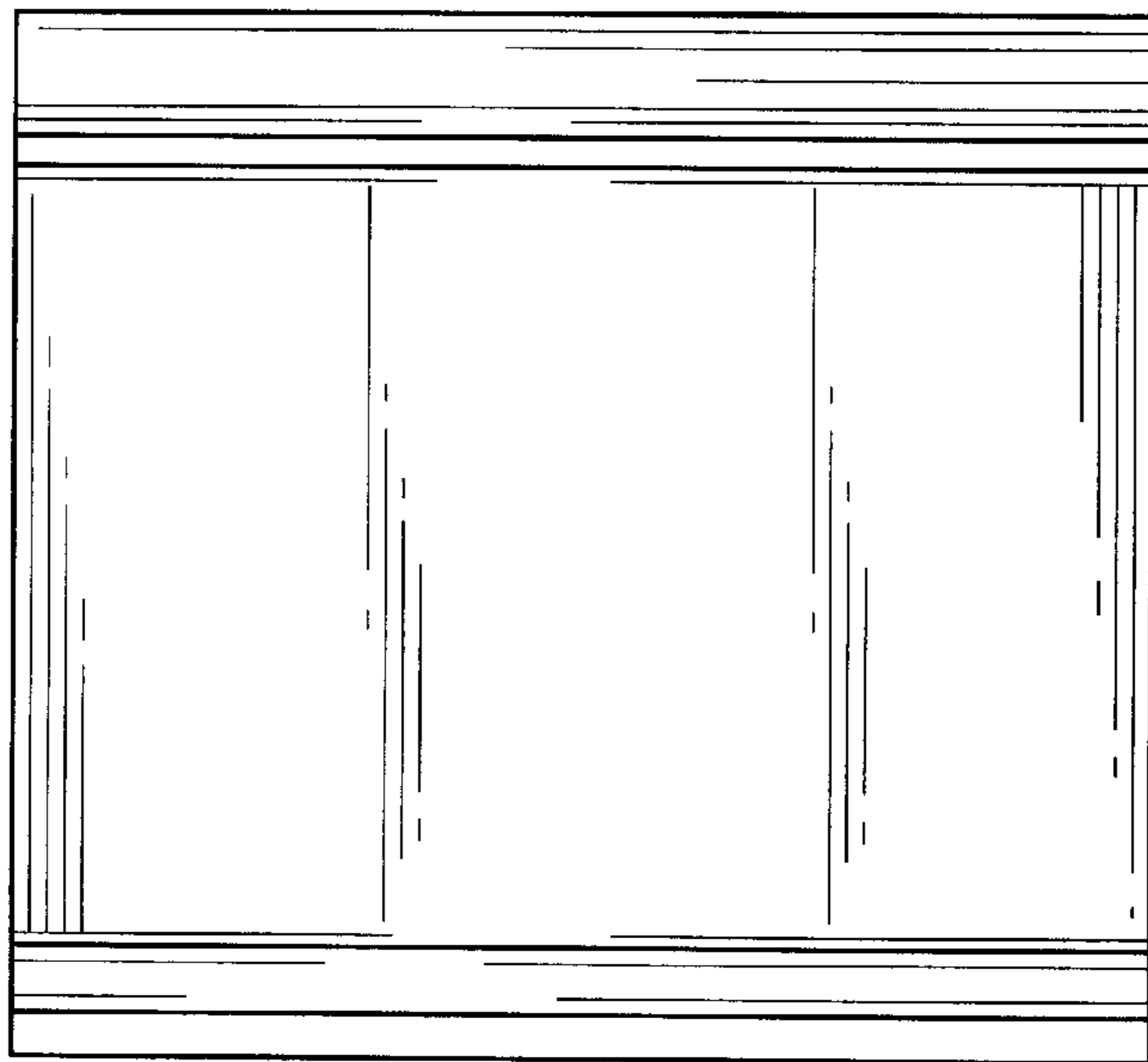


FIG. 2

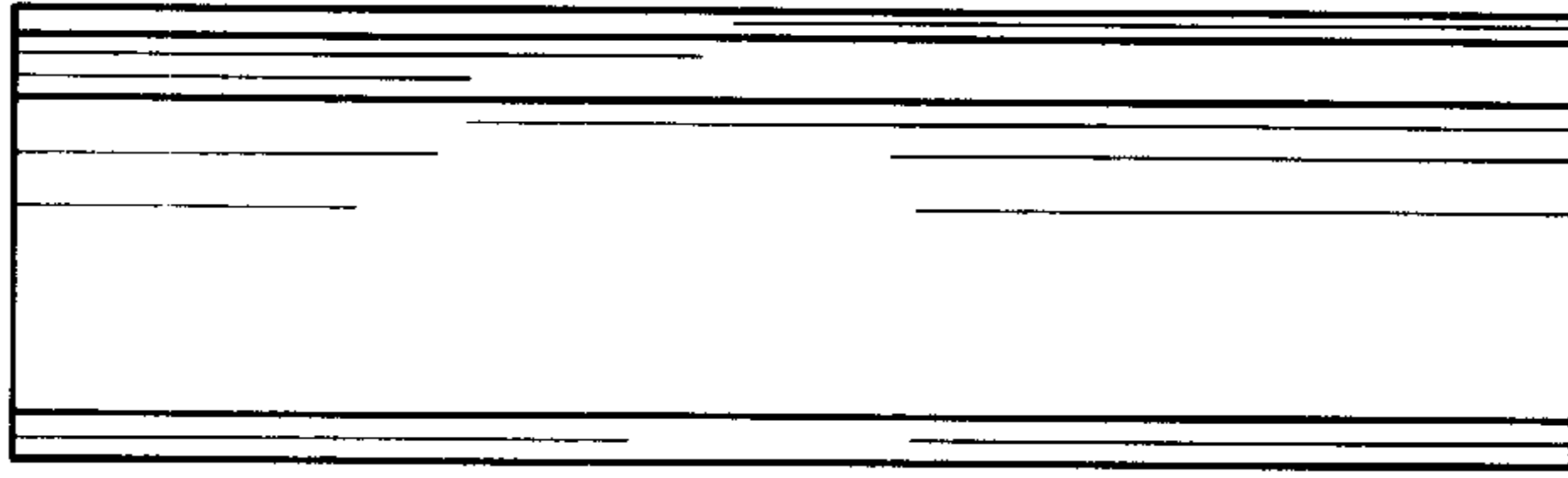


FIG. 5

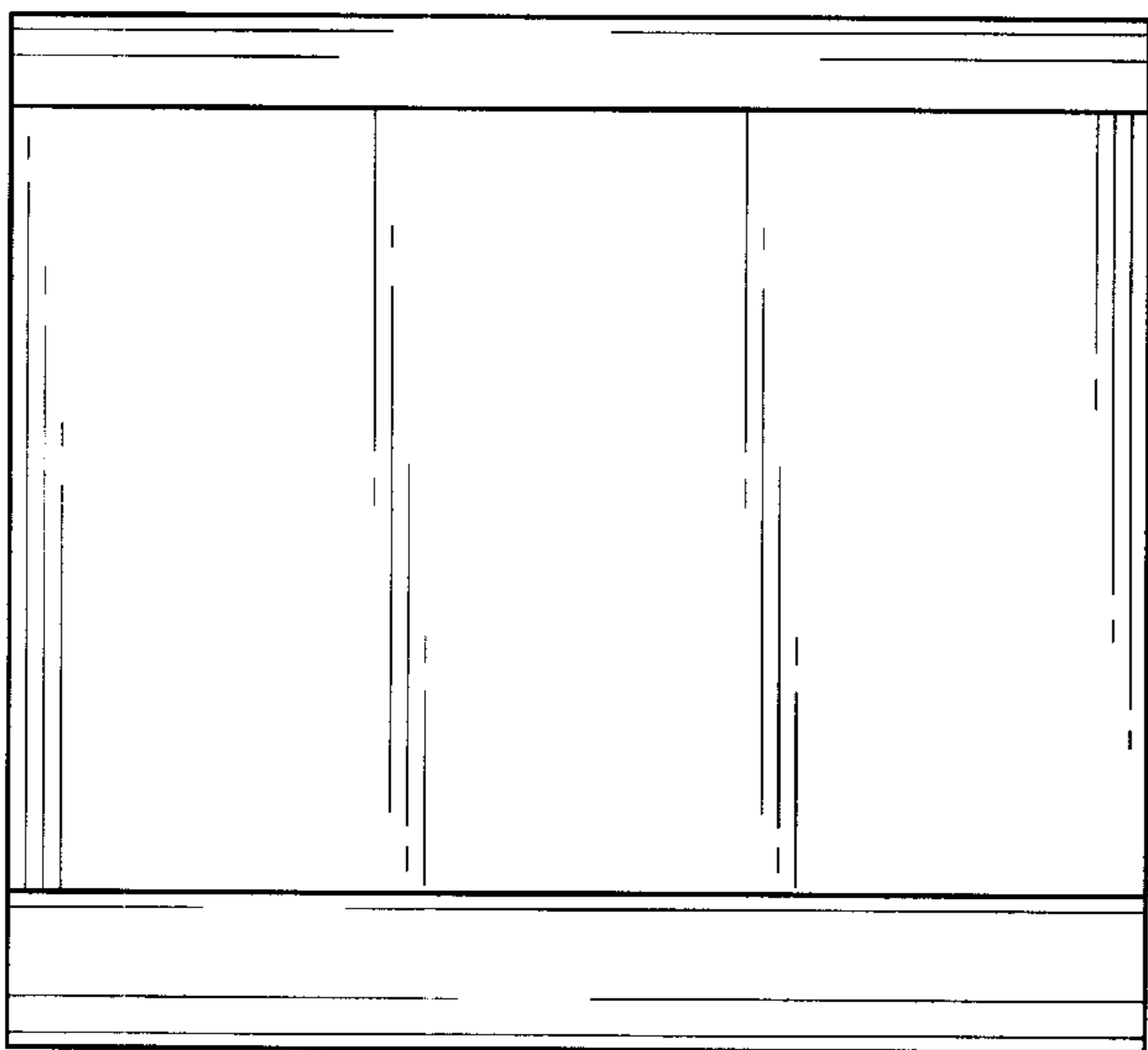


FIG. 4

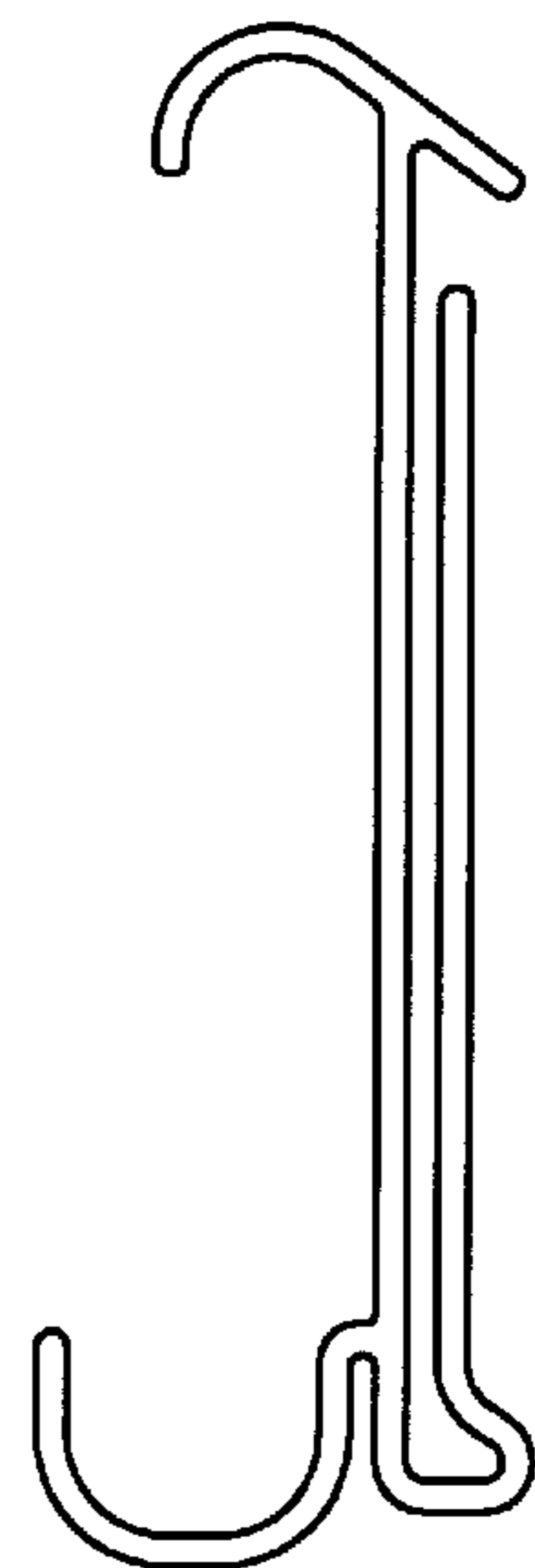


FIG. 3

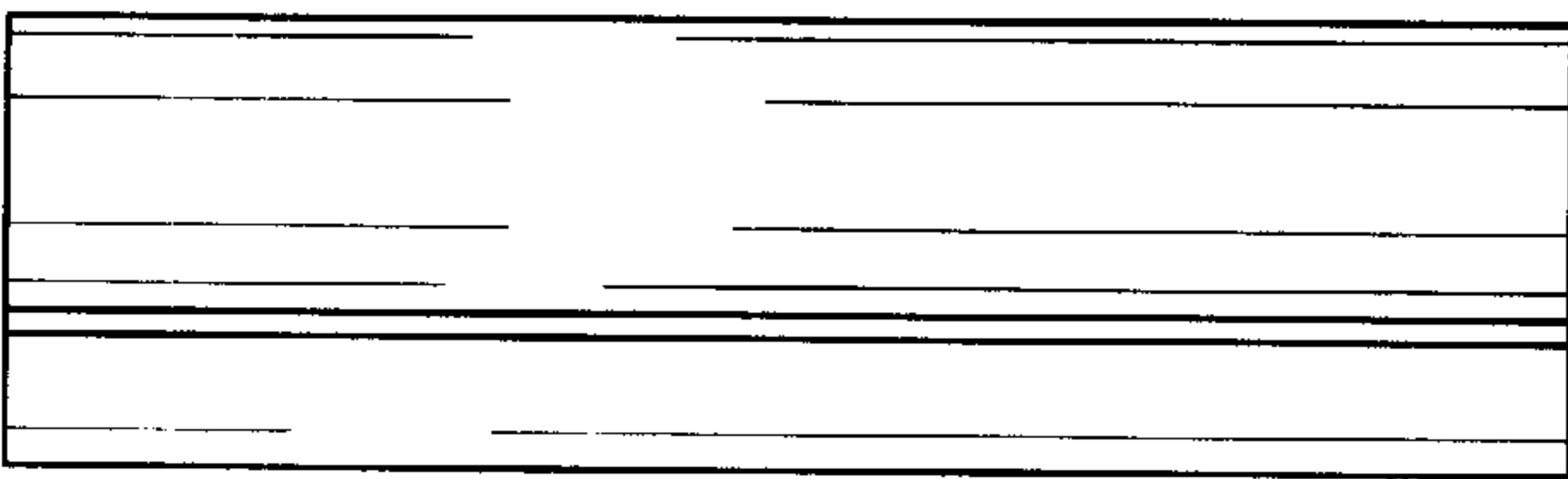


FIG. 6