



US00D425563S

**United States Patent** [19]  
**Tandberg**

[11] **Patent Number: Des. 425,563**

[45] **Date of Patent: \*\* May 23, 2000**

[54] **FRONT DOOR ASSEMBLY FOR A REVERSE VENDING MACHINE**

D. 282,936 3/1986 Gardner et al. .... D20/1  
D. 325,746 4/1992 Cerf ..... D20/1  
D. 400,927 11/1998 Waffensmith et al. .... D20/1  
3,132,654 5/1964 Adams ..... 194/320 X

[75] Inventor: **Roy Håvard Tandberg**, Nesøya, Norway

*Primary Examiner*—Nanda Bondade  
*Attorney, Agent, or Firm*—Rodman & Rodman

[73] Assignee: **Tomra Systems ASA**, Asker, Norway

[\*\*] Term: **14 Years**

[57] **CLAIM**

[21] Appl. No.: **29/107,765**

The ornamental design for a front door assembly for a reverse vending machine, as shown and described.

[22] Filed: **Jul. 13, 1999**

**DESCRIPTION**

**Related U.S. Application Data**

[62] Division of application No. 29/081,813, Oct. 3, 1997.

FIG. 1 is a front perspective view from one side of a front door assembly for a reverse vending machine showing my new design; and,

[51] **LOC (7) Cl.** ..... **20-01**

[52] **U.S. Cl.** ..... **D20/8**

FIG. 2 is a front perspective view from the other side thereof.

[58] **Field of Search** ..... D20/1-4, 8; 194/239, 194/320, 342, 350

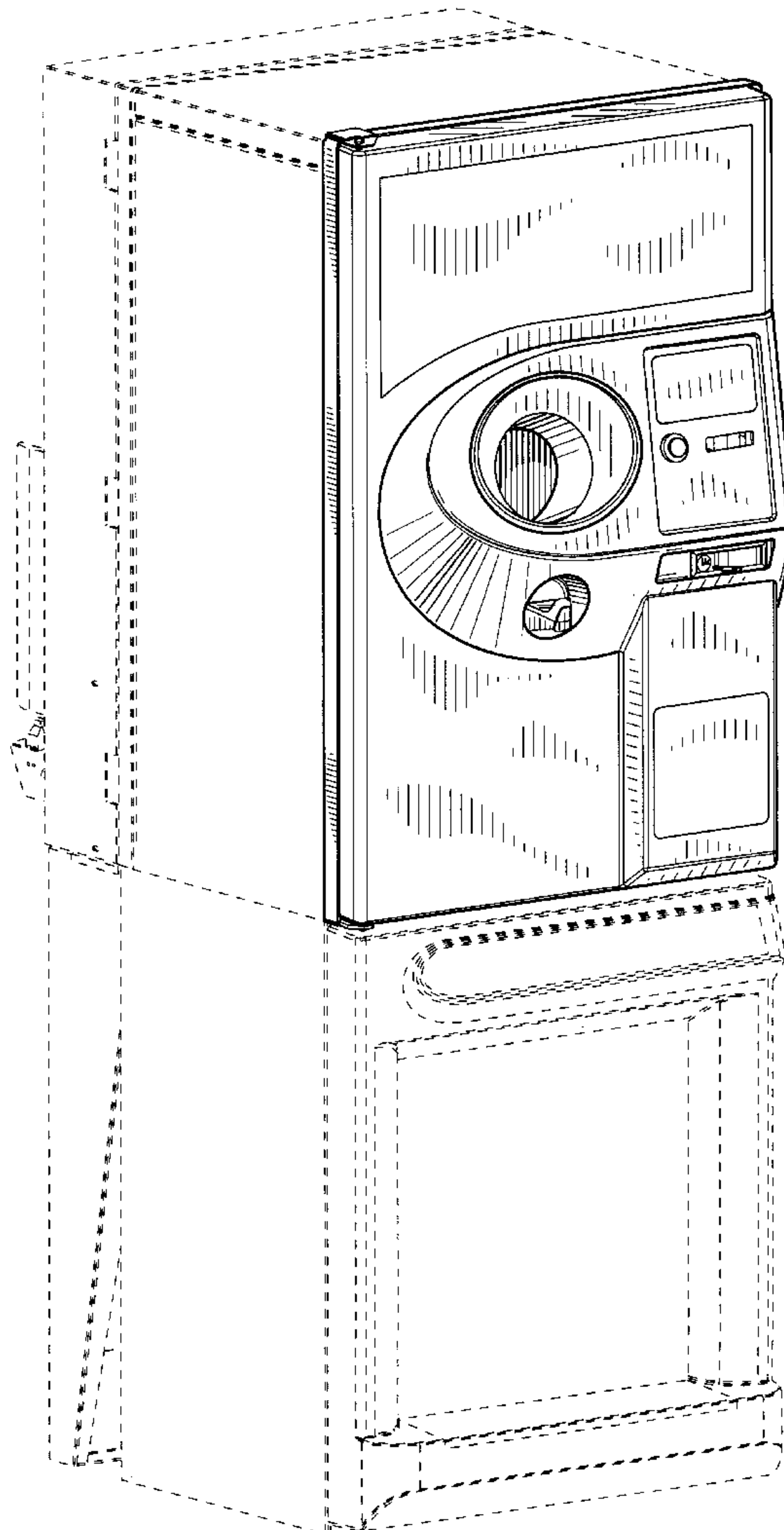
The broken line showing of the reverse vending machine in FIGS. 1-2 is for illustrative purposes only and forms no part of the claimed design.

[56] **References Cited**

**U.S. PATENT DOCUMENTS**

D. 192,180 2/1962 Hodgman ..... D20/5

**1 Claim, 2 Drawing Sheets**



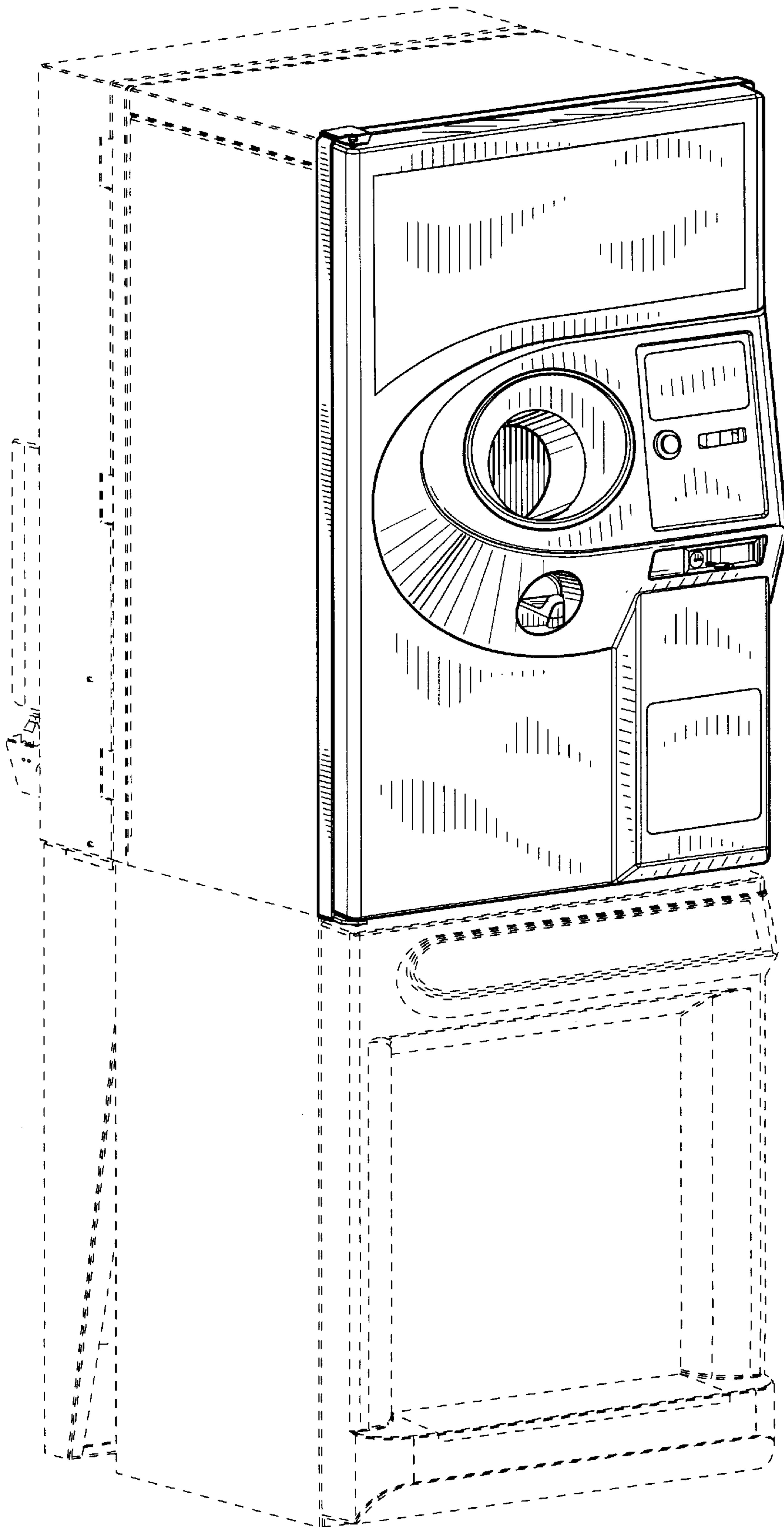


FIG. 1

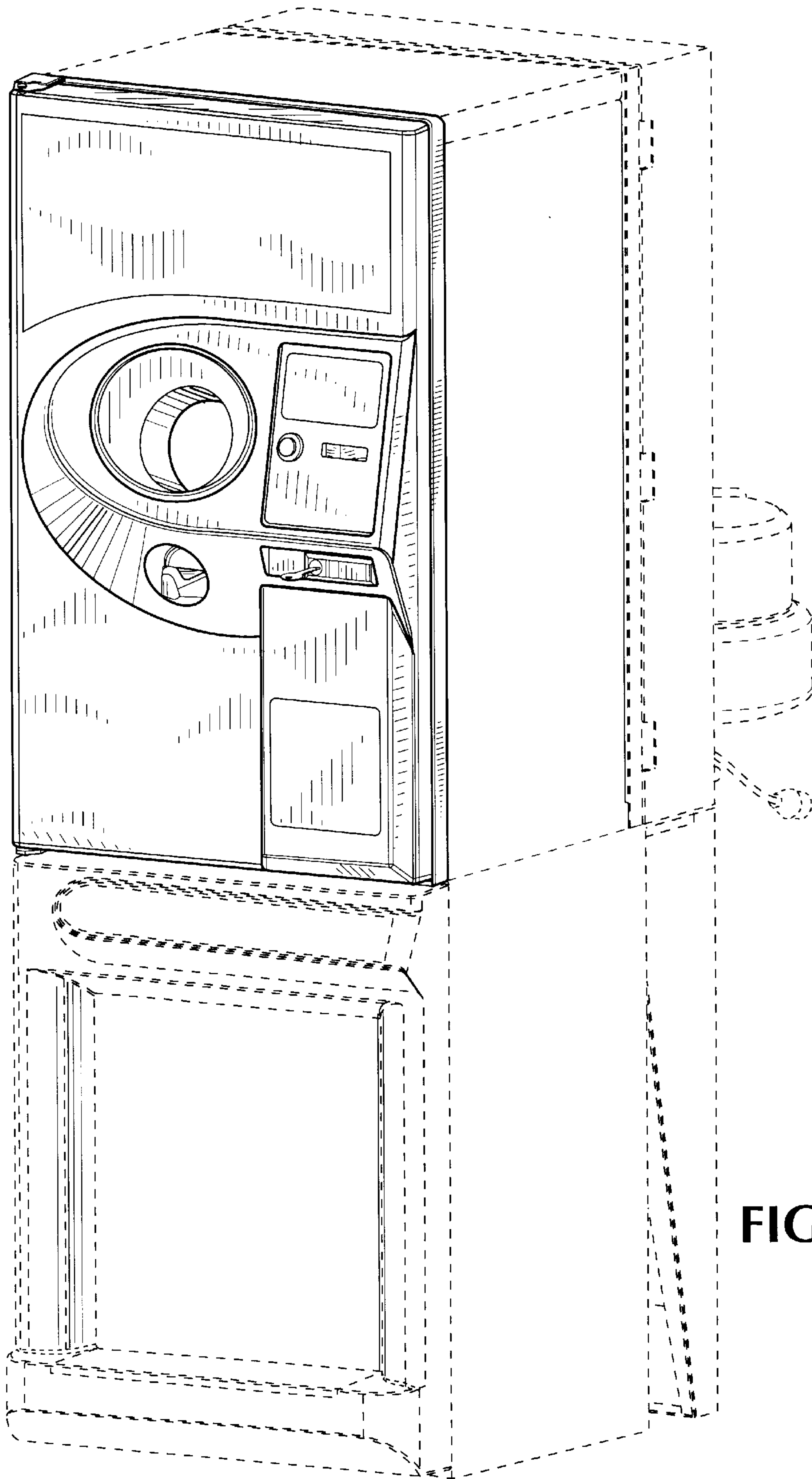


FIG. 2