



US00D425560S

**United States Patent** [19]  
**Yuen**

[11] **Patent Number: Des. 425,560**

[45] **Date of Patent: \*\* May 23, 2000**

[54] **PENCIL SHARPENER WITH VACUUM CLEANER AND DIGITAL CLOCK**

[75] Inventor: **John Se-Kit Yuen**, Kowloon, The Hong Kong Special Administrative Region of the People's Republic of China

[73] Assignee: **John Manufacturing Limited**, Kowloon, The Hong Kong Special Administrative Region of the People's Republic of China

[\*\*] Term: **14 Years**

[21] Appl. No.: **29/111,491**

[22] Filed: **Sep. 30, 1999**

[30] **Foreign Application Priority Data**

Apr. 1, 1999 [GB] United Kingdom ..... 2082427

[51] **LOC (7) Cl.** ..... **19-06**

[52] **U.S. Cl.** ..... **D19/73; D10/2; D19/65**

[58] **Field of Search** ..... D19/36, 65, 73, D19/74, 75, 95, 99, 100; D10/2, 15; 144/28.1, 28.11, 28.2-28.7, 28.72, 28.8, 28.9, 30, 28.71; 30/451-462; 368/10

[56] **References Cited**

**U.S. PATENT DOCUMENTS**

D. 132,577	5/1942	Hoffmann	.....	D19/73
D. 193,457	8/1962	Fleming	.....	D19/73
D. 378,834	4/1997	Yuen	.....	D19/73
D. 400,586	11/1998	Yuen	.....	D19/73
2,251,053	7/1941	Hoffmann	.....	144/28.71
3,097,629	7/1963	Fleming et al.	.....	30/454

*Primary Examiner*—Martie K. Holtje  
*Attorney, Agent, or Firm*—Beall Law Offices

[57] **CLAIM**

The ornamental design for a “pencil sharpener with vacuum cleaner and digital clock,” as shown and described.

**DESCRIPTION**

FIG. 1 is a top plan elevational view of a pencil sharpener with vacuum cleaner and digital clock showing my new design;

FIG. 2 is a front elevational view thereof;

FIG. 3 is a bottom plan elevational view thereof;

FIG. 4 is a rear elevational view thereof;

FIG. 5 is a left side elevational view thereof; and,

FIG. 6 is a right side elevational view thereof.

**1 Claim, 3 Drawing Sheets**

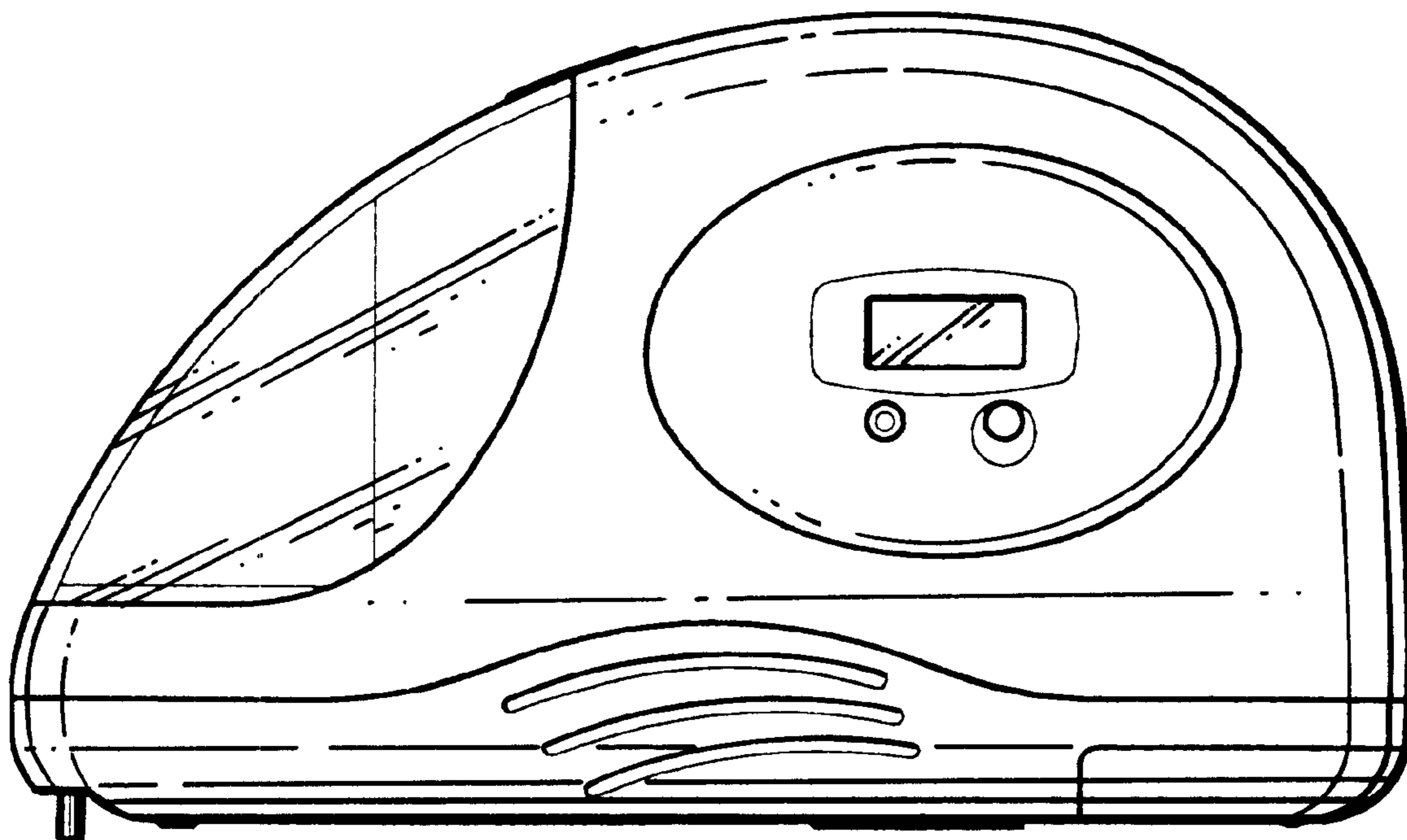


FIG. 1

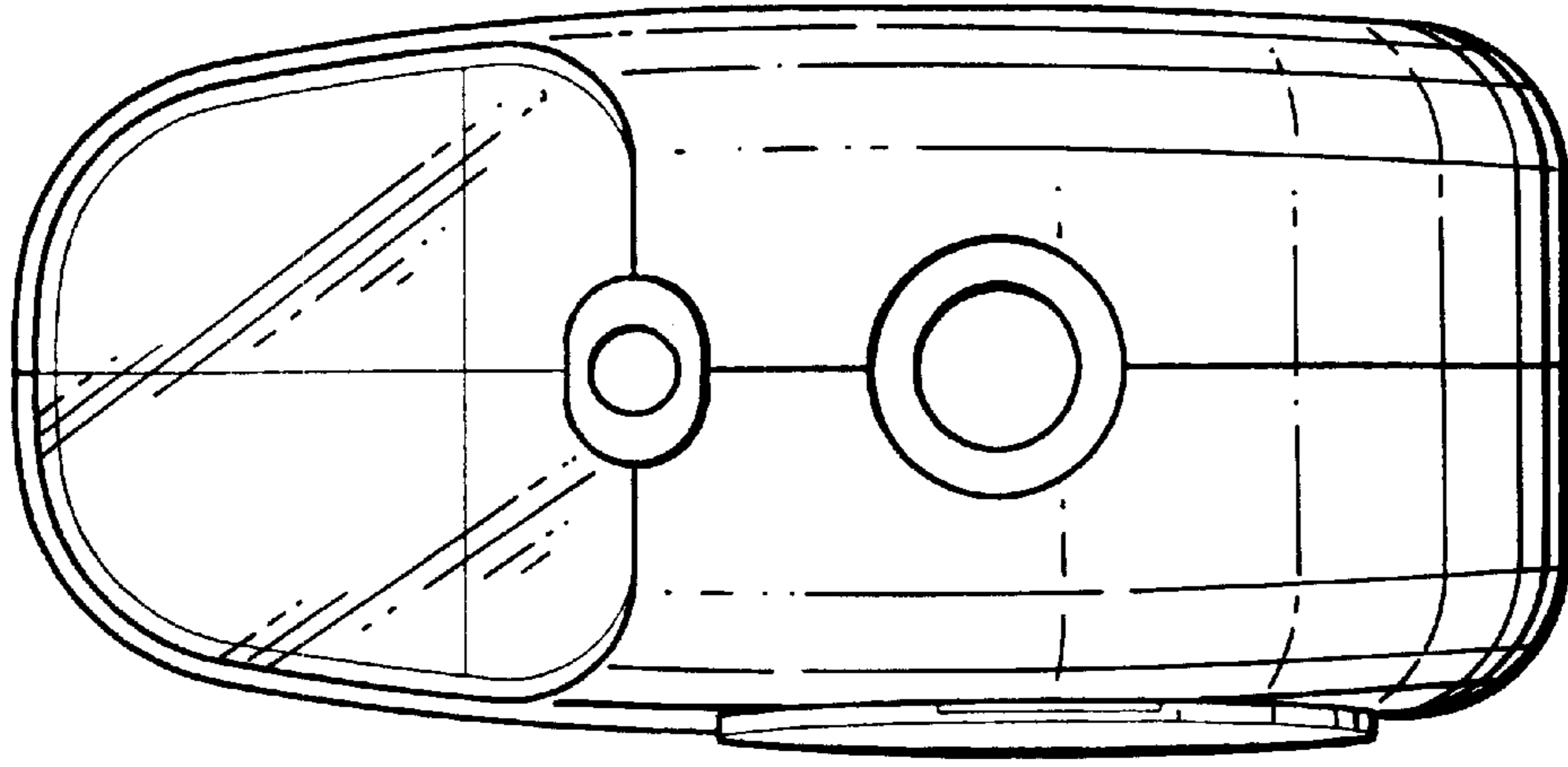


FIG. 2

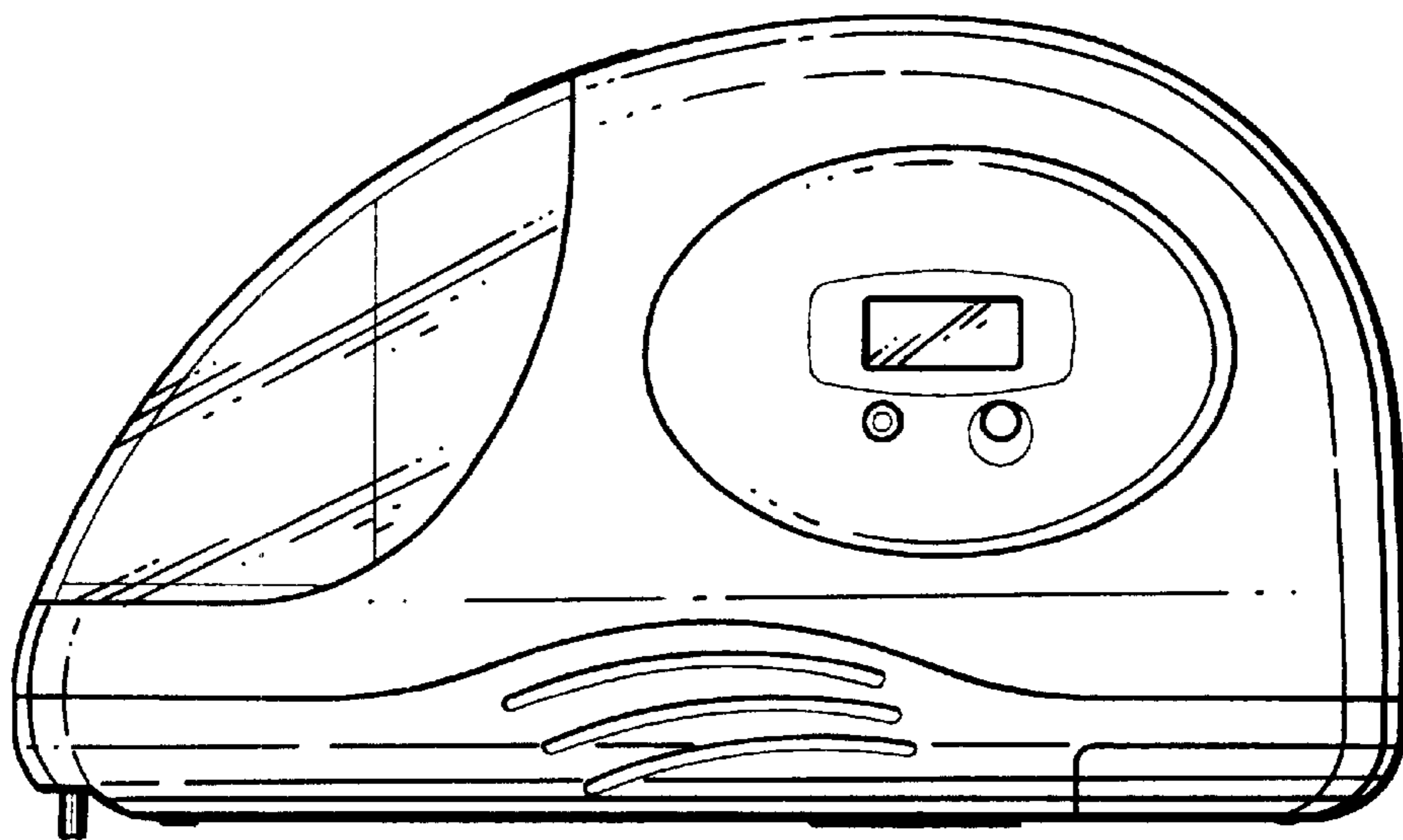


FIG. 3

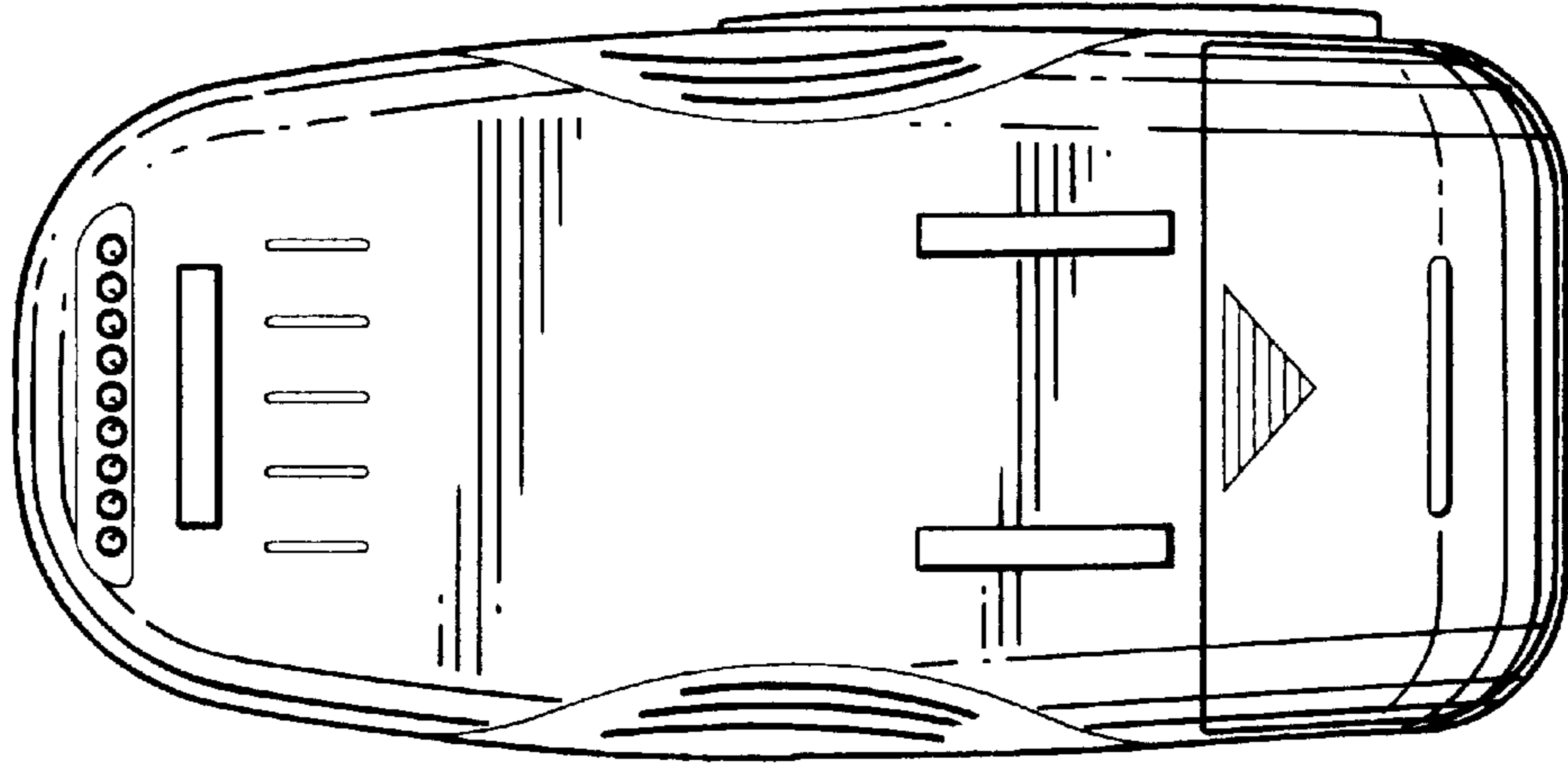


FIG. 4

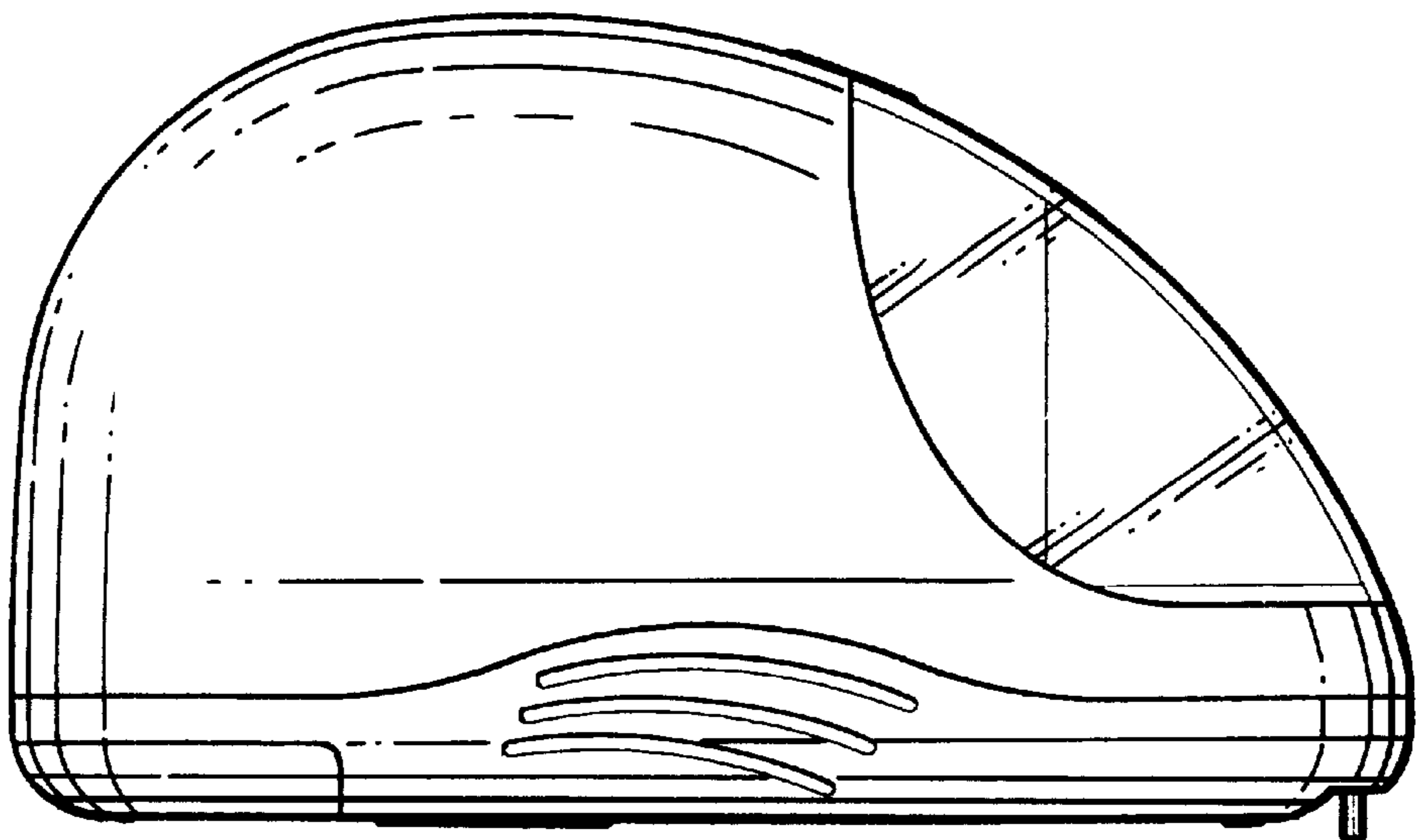


FIG. 5

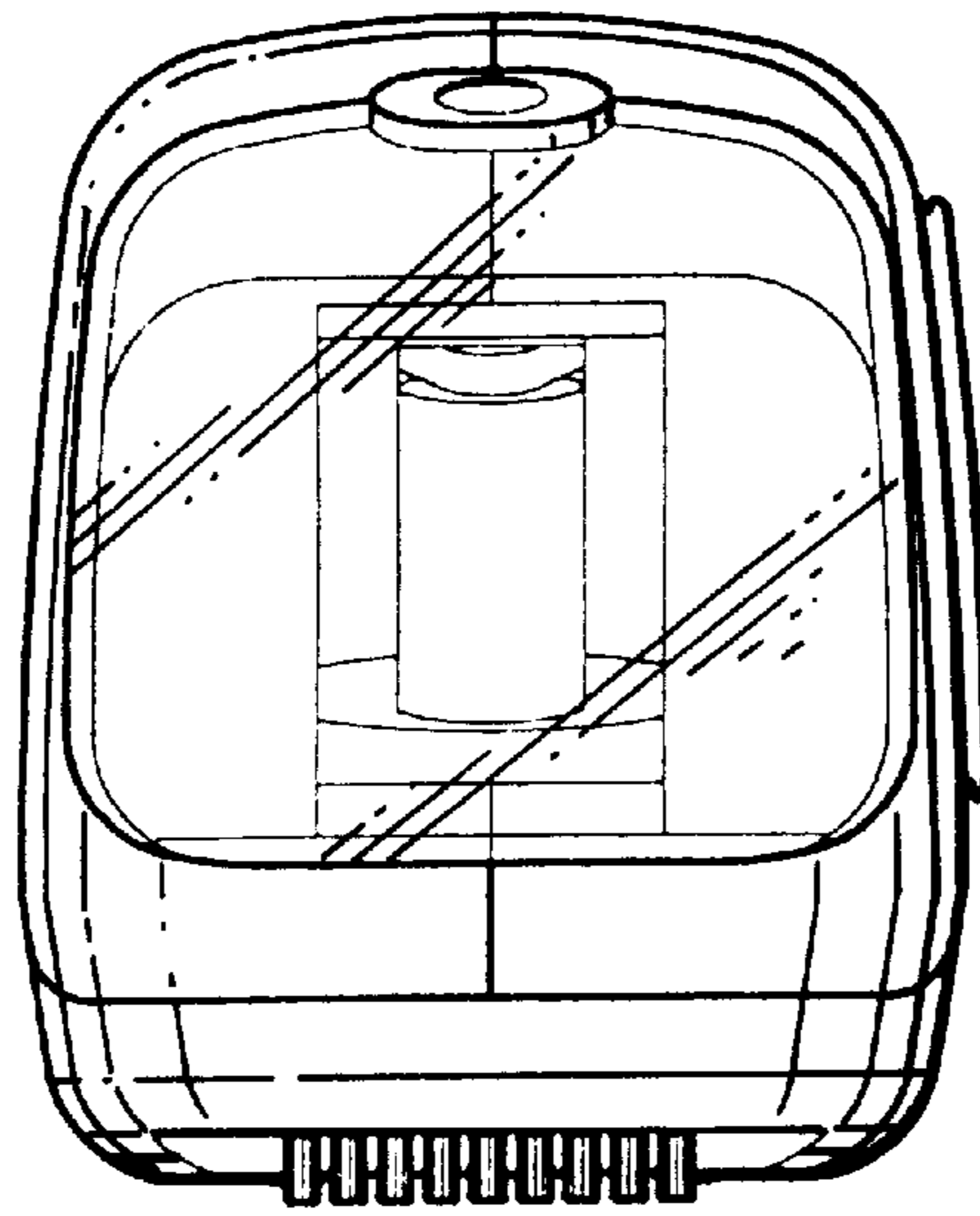


FIG. 6

