



US00D42552S

United States Patent [19] Kobayashi et al.

[11] Patent Number: **Des. 425,552**

[45] Date of Patent: **** May 23, 2000**

[54] **PRINTER FOR COMPUTER**

[75] Inventors: **Makoto Kobayashi; Toshihiro Hayakawa**, both of Suwa, Japan

[73] Assignee: **Seiko Epson Corporation**, Tokyo, Japan

[**] Term: **14 Years**

[21] Appl. No.: **29/091,767**

[22] Filed: **Aug. 5, 1998**

[30] **Foreign Application Priority Data**

Feb. 16, 1998 [JP] Japan 10-4019

[51] **LOC (7) Cl.** **14-02**

[52] **U.S. Cl.** **D18/54; D18/55**

[58] **Field of Search** D18/50, 54-55, D18/36-37, 39; 400/691-694, 613, 613.1-613.4, 690.1-690.4

[56] **References Cited**

U.S. PATENT DOCUMENTS

- D. 281,247 11/1985 Lahey et al. D18/55
- D. 323,850 2/1992 Matsuo et al. D18/54

- D. 326,110 5/1992 Tashiro et al. D18/55
- D. 343,414 1/1994 Tokuda et al. D18/55
- D. 376,814 12/1996 Asai et al. D18/50
- D. 378,926 4/1997 Dubson D18/50
- D. 379,196 5/1997 Laidlaw D18/55
- D. 382,582 8/1997 Igarashi et al. D18/55
- D. 382,583 8/1997 Takahashi et al. D18/55
- D. 387,085 12/1997 Masujima et al. D18/54
- D. 389,861 1/1998 Kobayashi et al. D18/55

Primary Examiner—Cathy Anne MacCormac
Attorney, Agent, or Firm—Sughrue, Mion, Zinn, Macpeak & Seas, PLLC

[57] **CLAIM**

The ornamental design for a printer for computer, as shown.

DESCRIPTION

FIG. 1 is a perspective view of the top, front and right side of a printer for computer showing my new design; FIG. 2 is a front elevational view thereof; FIG. 3 is a rear elevational view thereof; FIG. 4 is a top plan view thereof; FIG. 5 is a right side elevational view thereof; FIG. 6 is a left side elevational view thereof; and, FIG. 7 is a bottom plan view thereof.

1 Claim, 5 Drawing Sheets

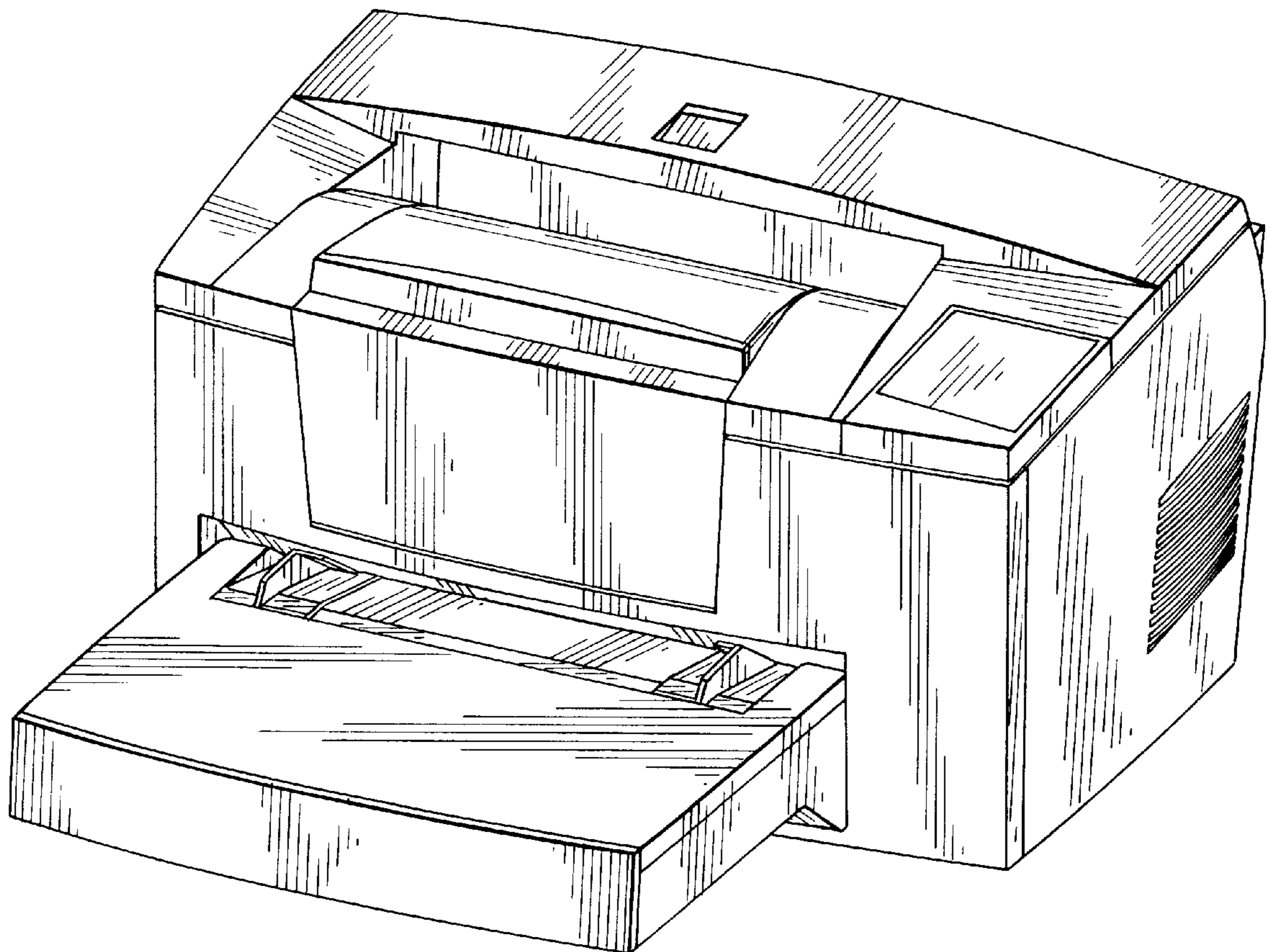


FIG. 1

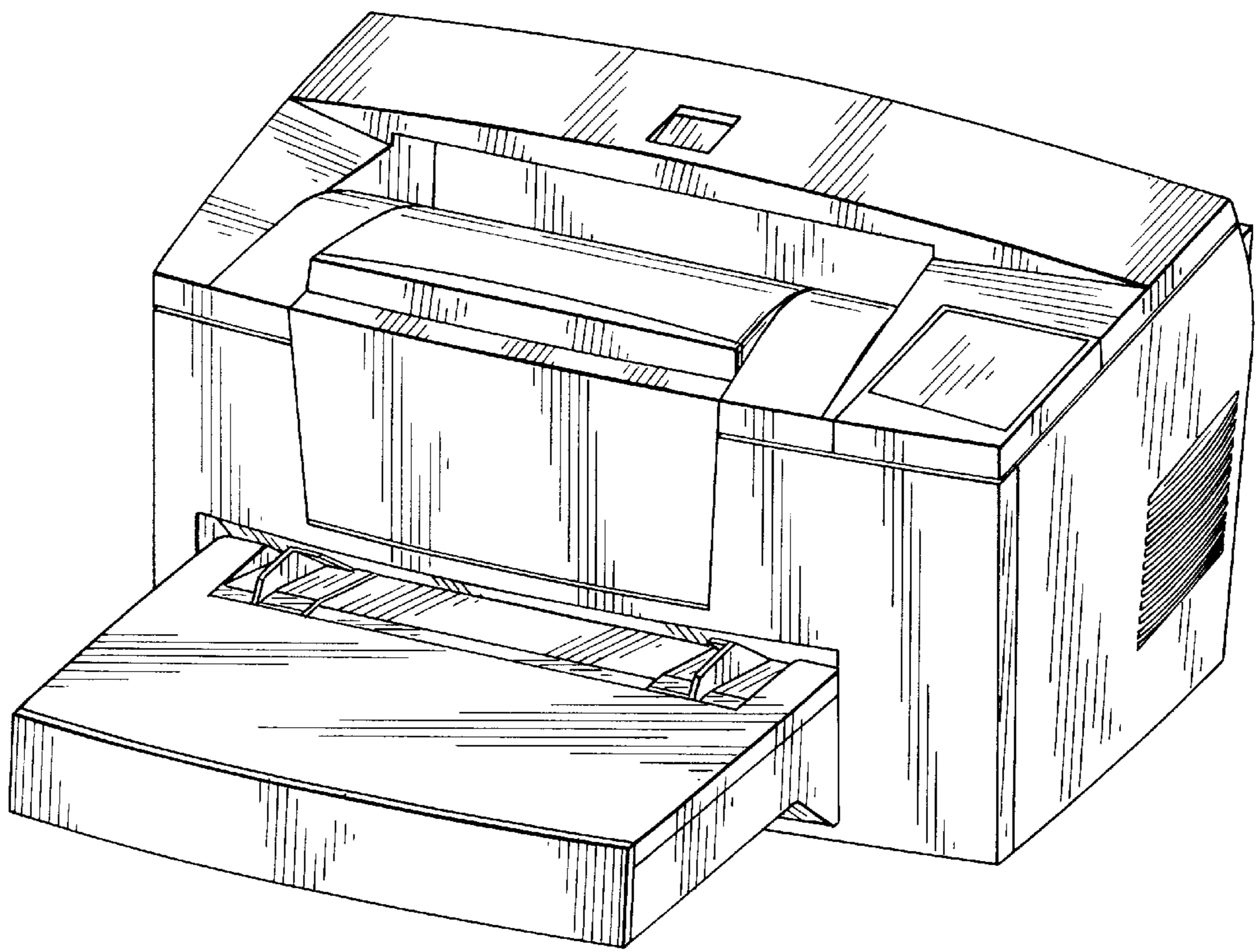


FIG. 2

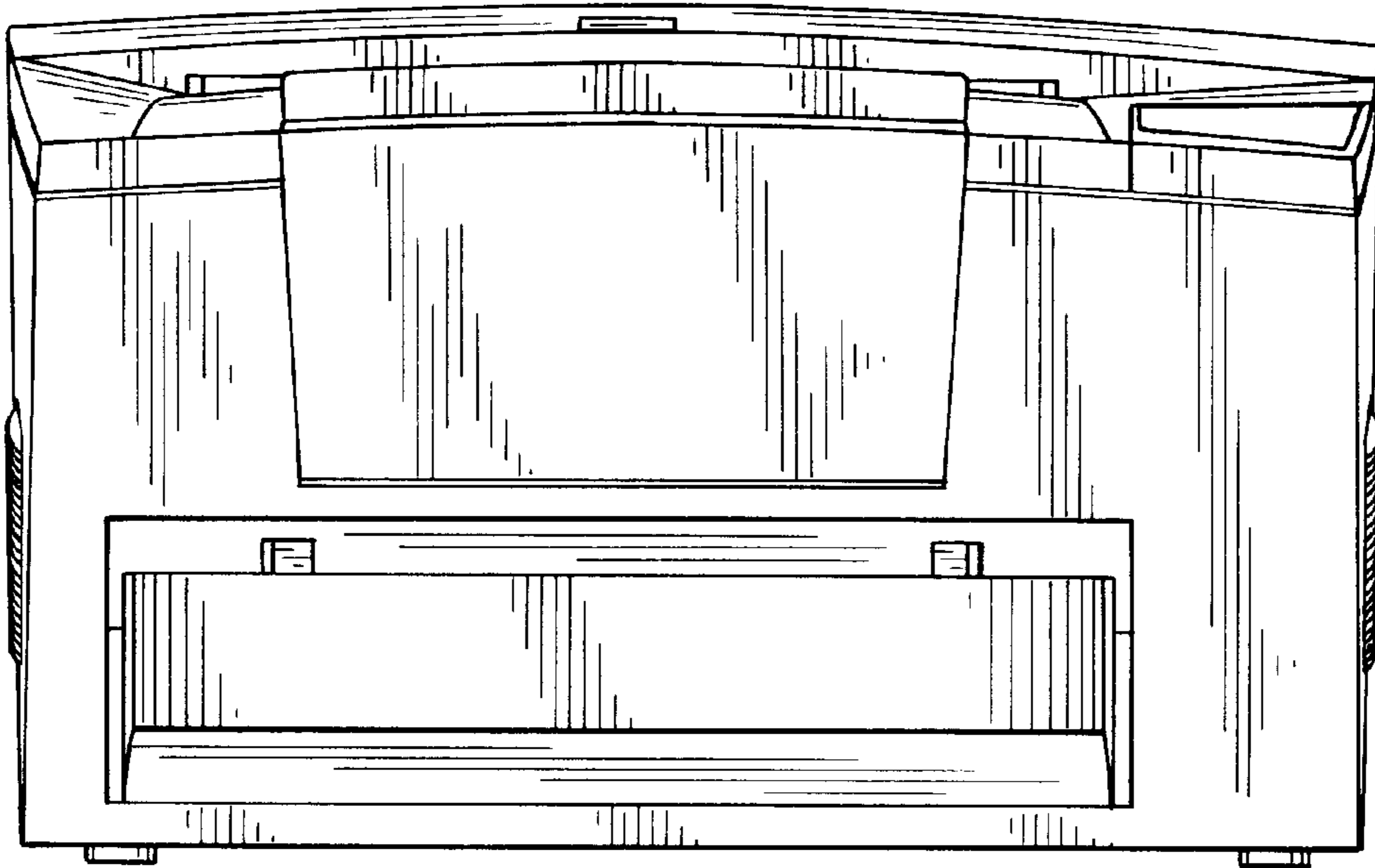


FIG. 3

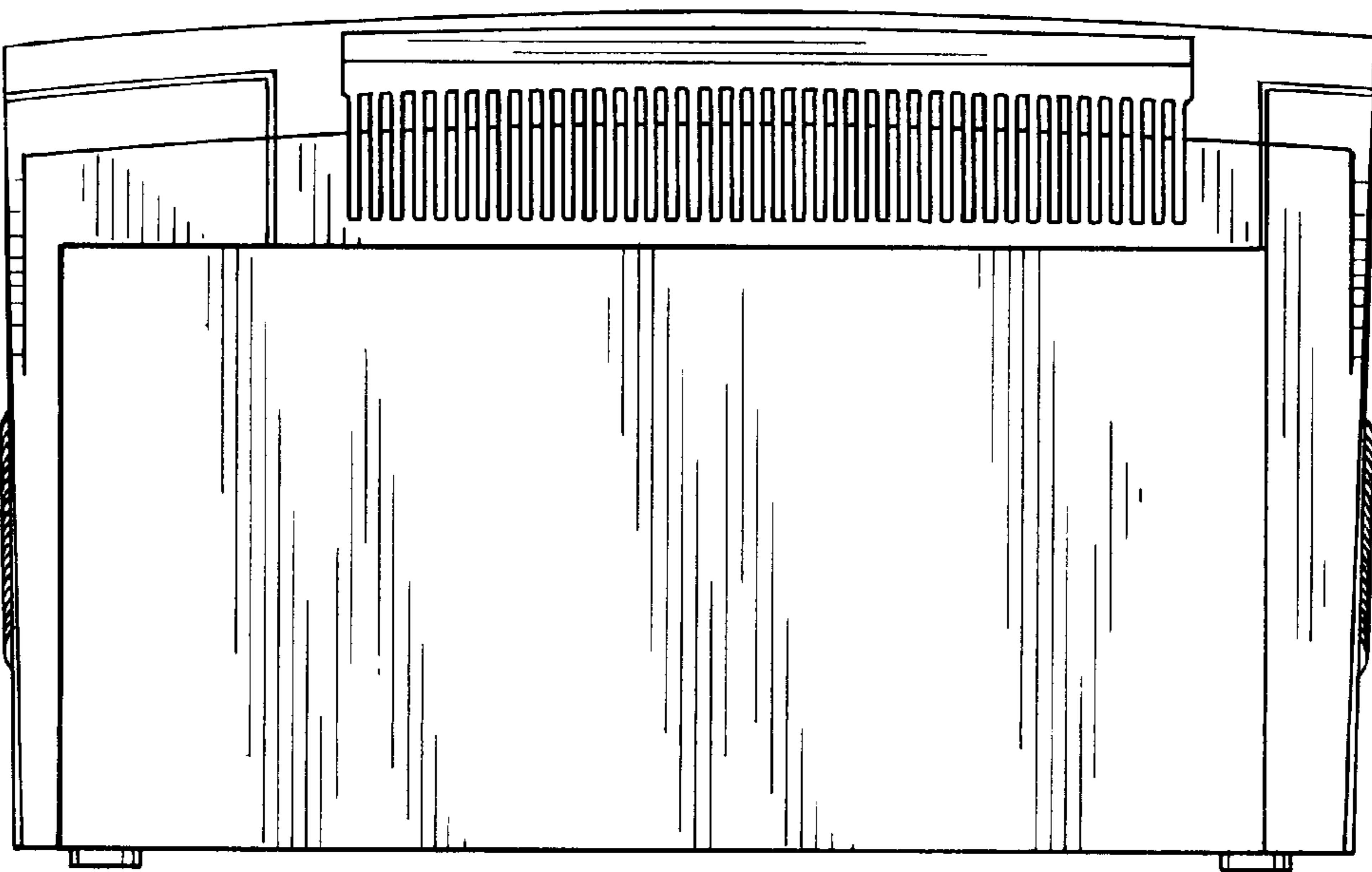


FIG. 4

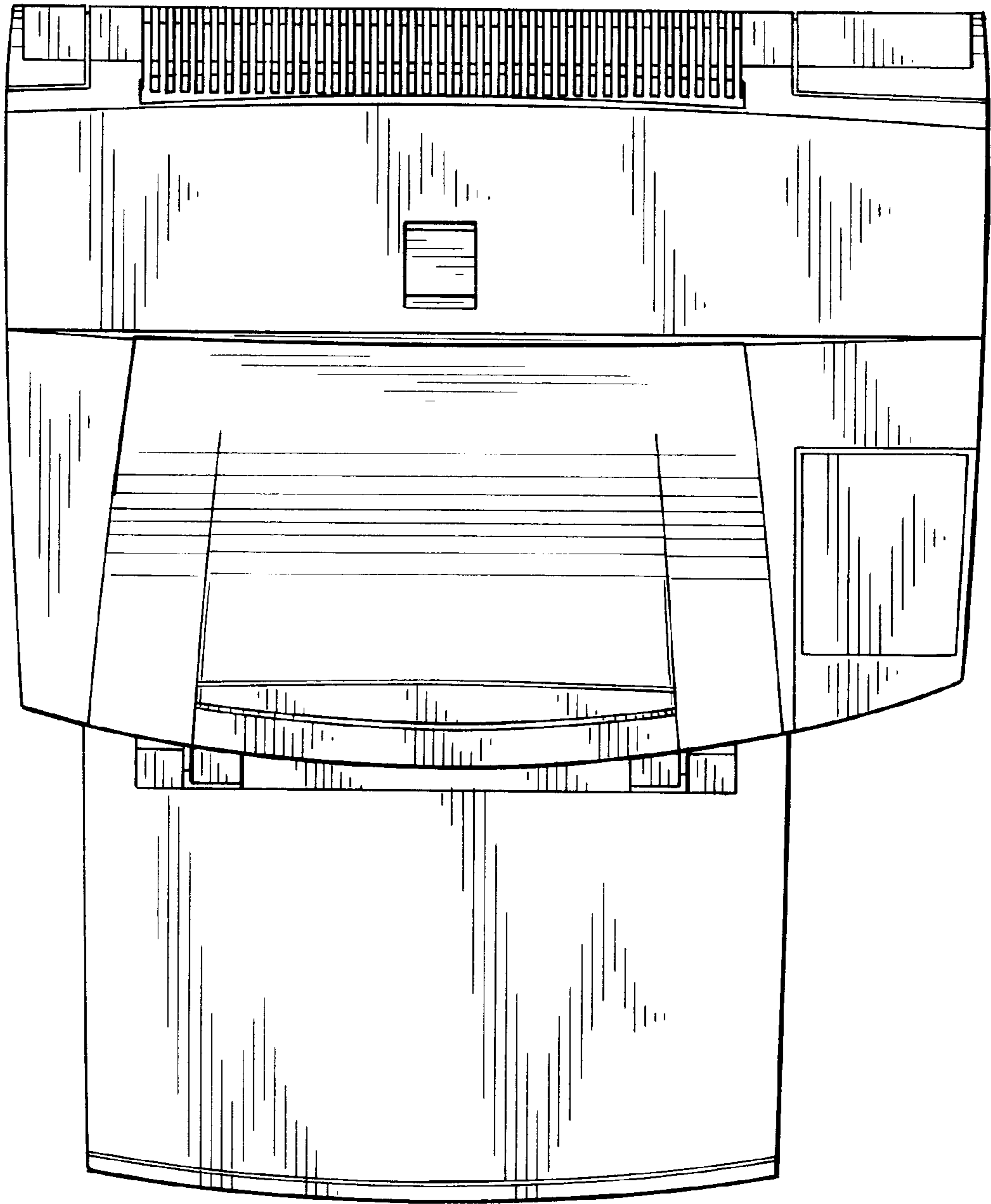


FIG. 5

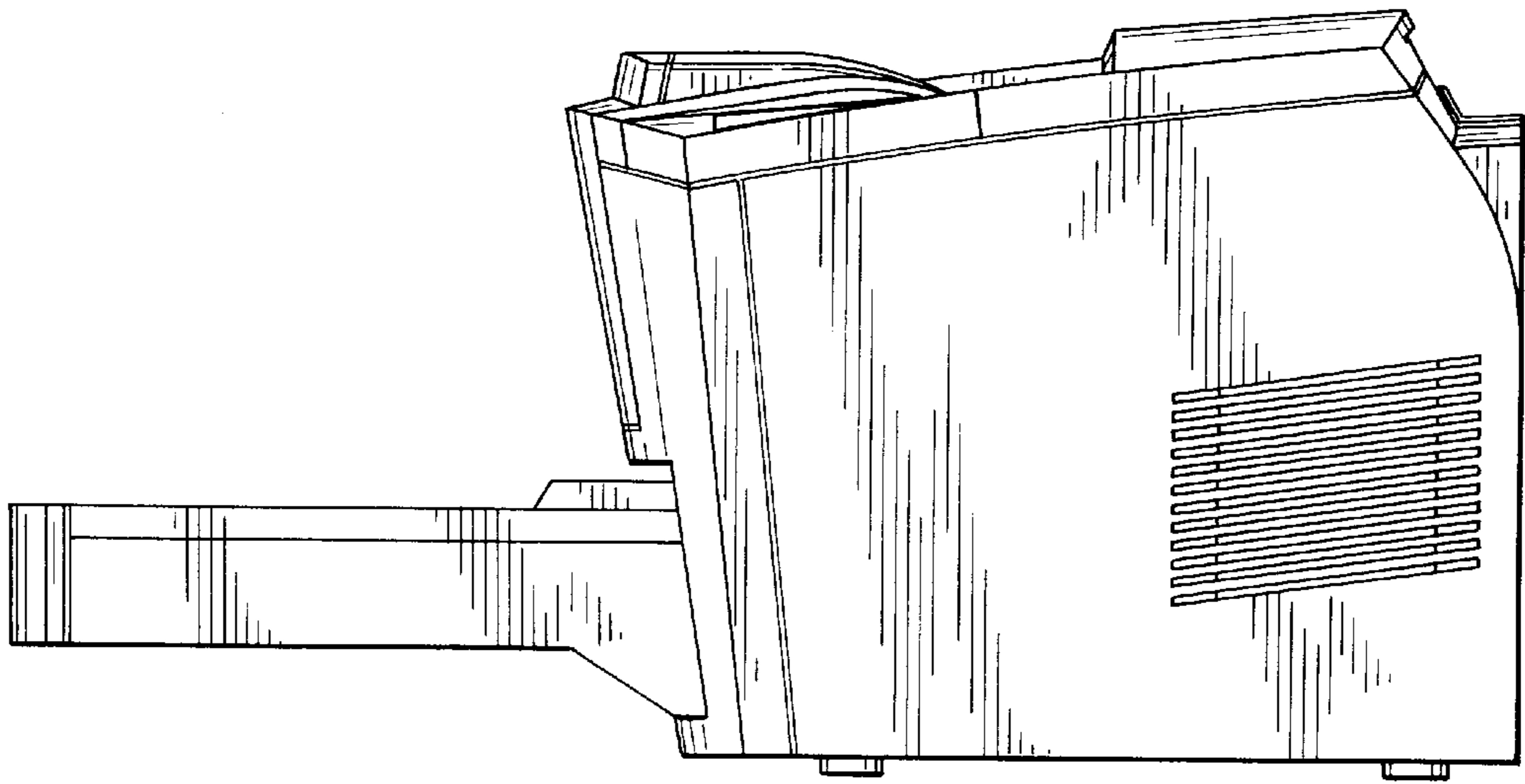


FIG. 6

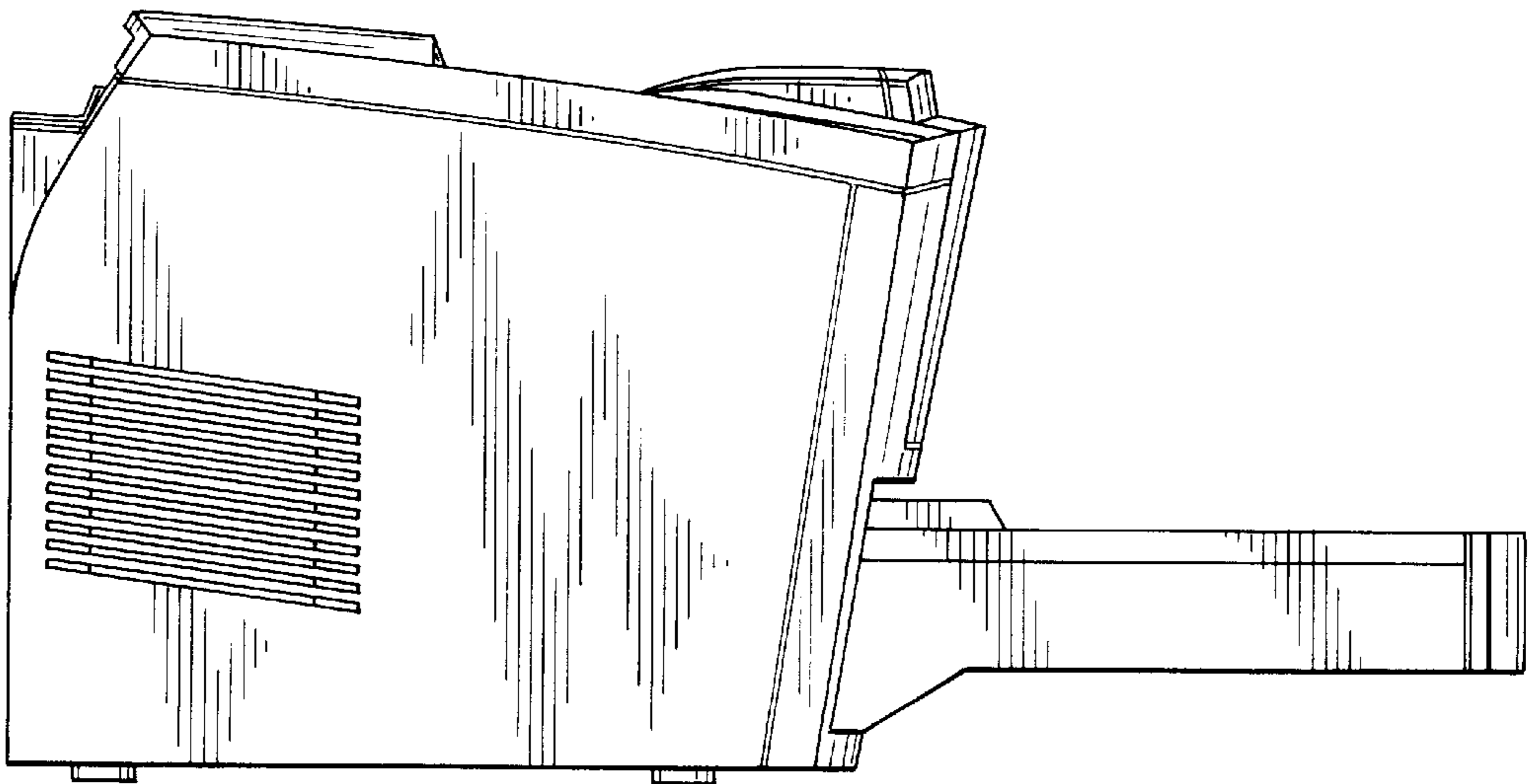


FIG. 7

