



US00D42551S

United States Patent [19]
Shiozaki et al.

[11] **Patent Number: Des. 425,551**
[45] **Date of Patent: ** May 23, 2000**

[54] **COMPUTER PRINTER**

D. 388,821 1/1998 Kenmouchi D18/53

[75] Inventors: **Akihisa Shiozaki**, Tokyo; **Hiroaki Sasaki**, Yokohama; **Tsutomu Yoshihara**, Ayase, all of Japan

OTHER PUBLICATIONS

Xerox 3700 Laser Printing System, single product information sheet, single image, Apr. 1985.
Olympus Image Systems, Inc. MegaServe Ion Printer, single product information sheet, Apr. 1993.
QMS 2025 Departmental Print System, single product information sheet, Apr. 1985.

[73] Assignee: **Canon Kabushiki Kaisha**, Tokyo, Japan

[**] Term: **14 Years**

Primary Examiner—Louis S. Zarfaz
Assistant Examiner—G Andoll
Attorney, Agent, or Firm—Fitzpatrick, Cella, Harper & Scinto

[21] Appl. No.: **29/103,080**

[22] Filed: **Apr. 8, 1999**

[30] **Foreign Application Priority Data**

Oct. 15, 1998 [JP] Japan 10-29821

[57] **CLAIM**

The ornamental design for a computer printer, as shown and described.

[51] **LOC (7) Cl.** **18-02**

[52] **U.S. Cl.** **D18/53**

[58] **Field of Search** D18/4, 12, 14, D18/19, 36-40, 44, 50, 52-56, 99; 400/690-694, 613, 613.1-613.4; 399/107, 391-399, 361, 367, 381, 110

DESCRIPTION

FIG. 1 is a front view of a computer printer showing our new design;
FIG. 2 is a rear view thereof;
FIG. 3 is a top plan view thereof;
FIG. 4 is a bottom plan view thereof;
FIG. 5 is a left side view thereof;
FIG. 6 is a right side view thereof; and,
FIG. 7 is a perspective view thereof.

[56] **References Cited**

U.S. PATENT DOCUMENTS

D. 329,250 9/1992 Matsumoto D18/55
D. 338,197 8/1993 Miyazawa et al. D14/118
D. 384,370 9/1997 Kobayashi D18/55

1 Claim, 7 Drawing Sheets

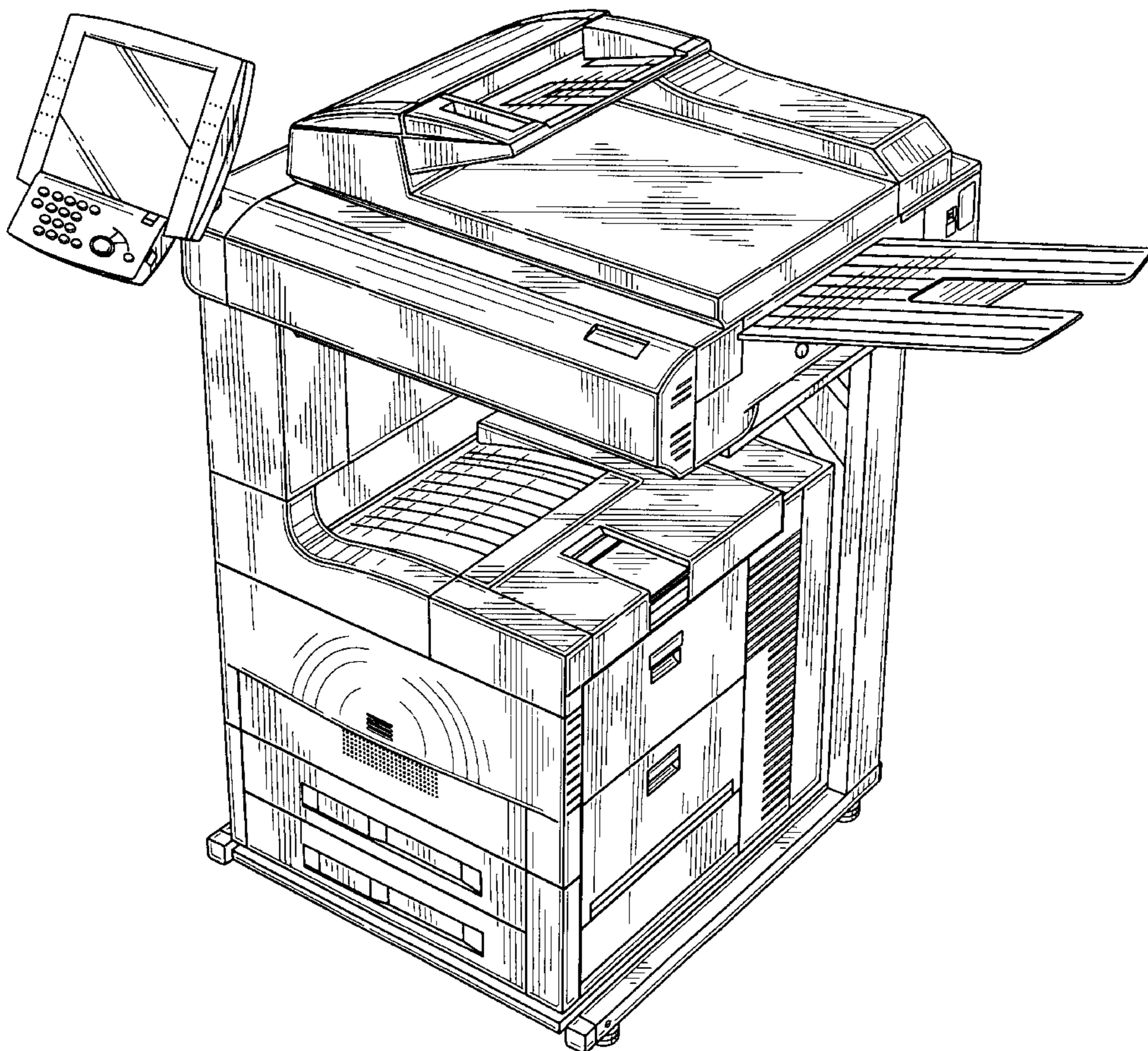


FIG. 1

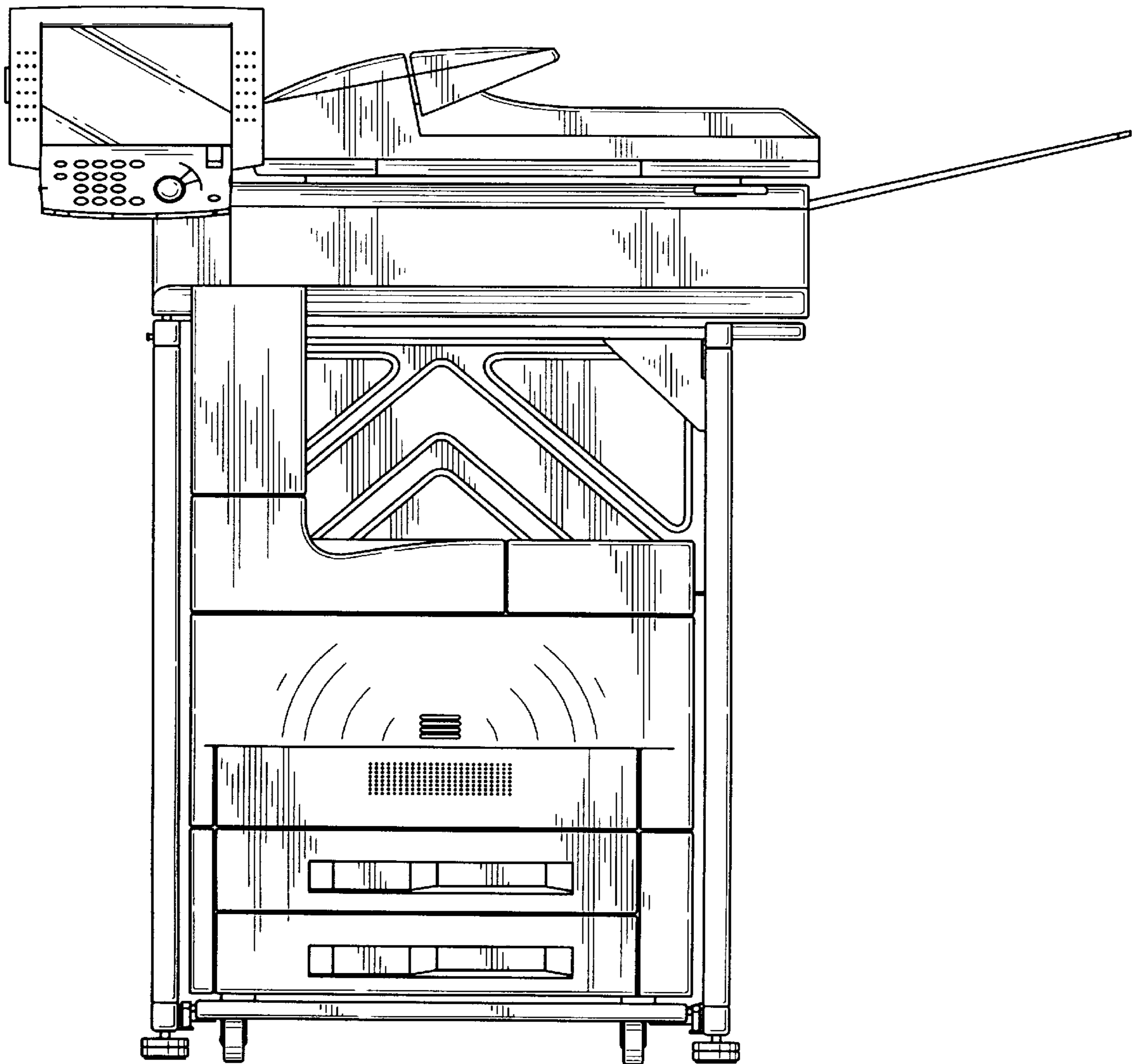


FIG. 2

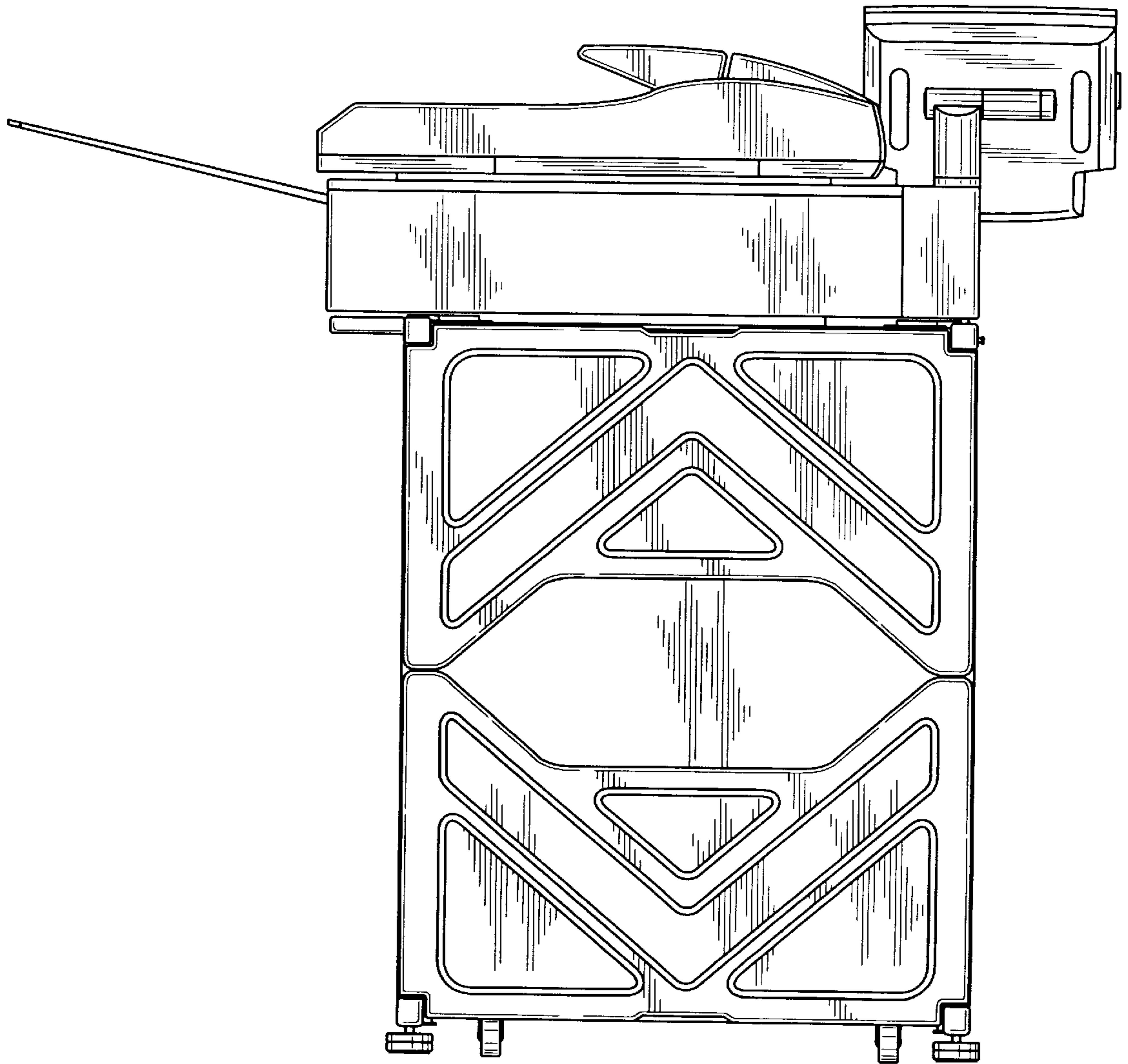


FIG. 3

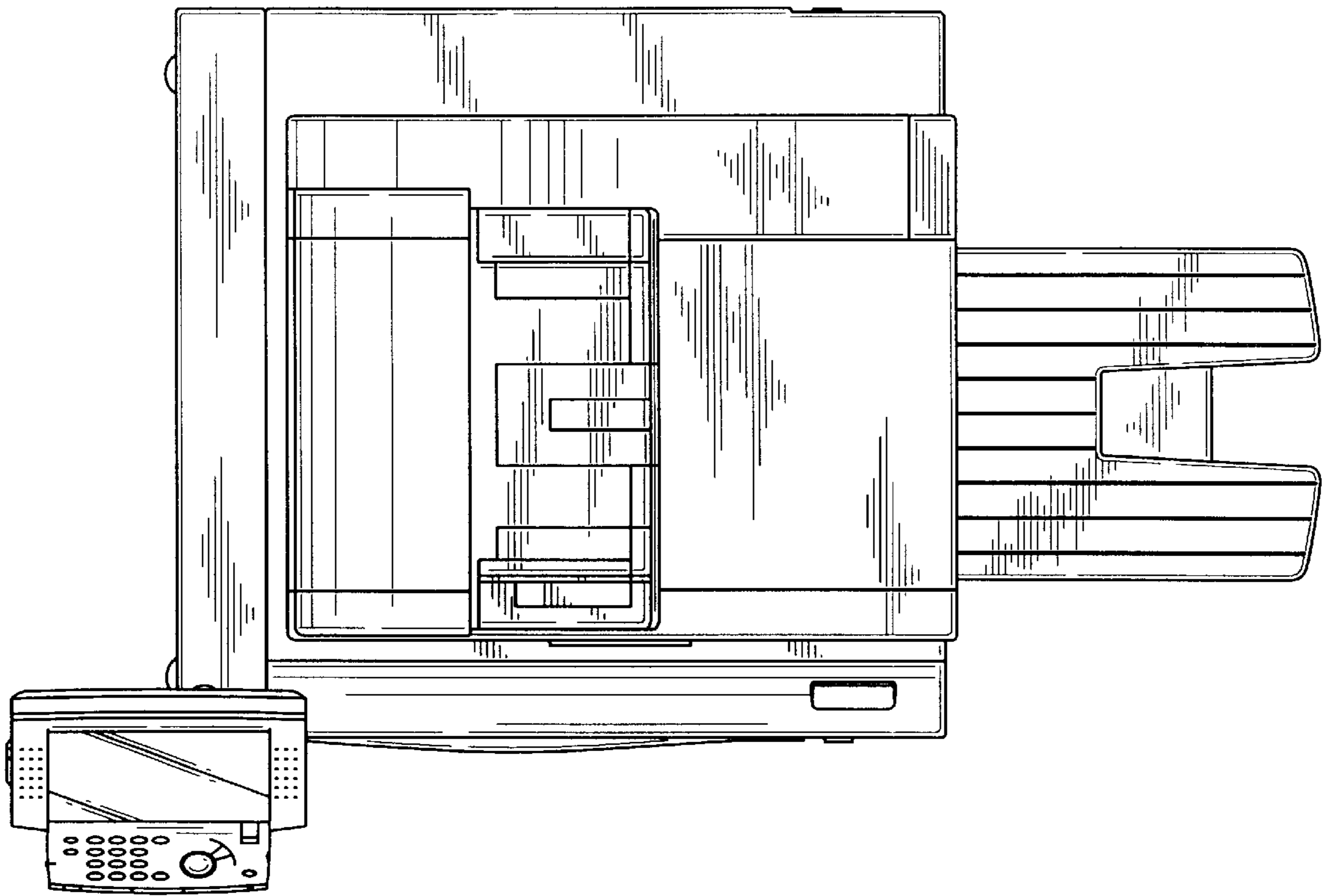


FIG. 4

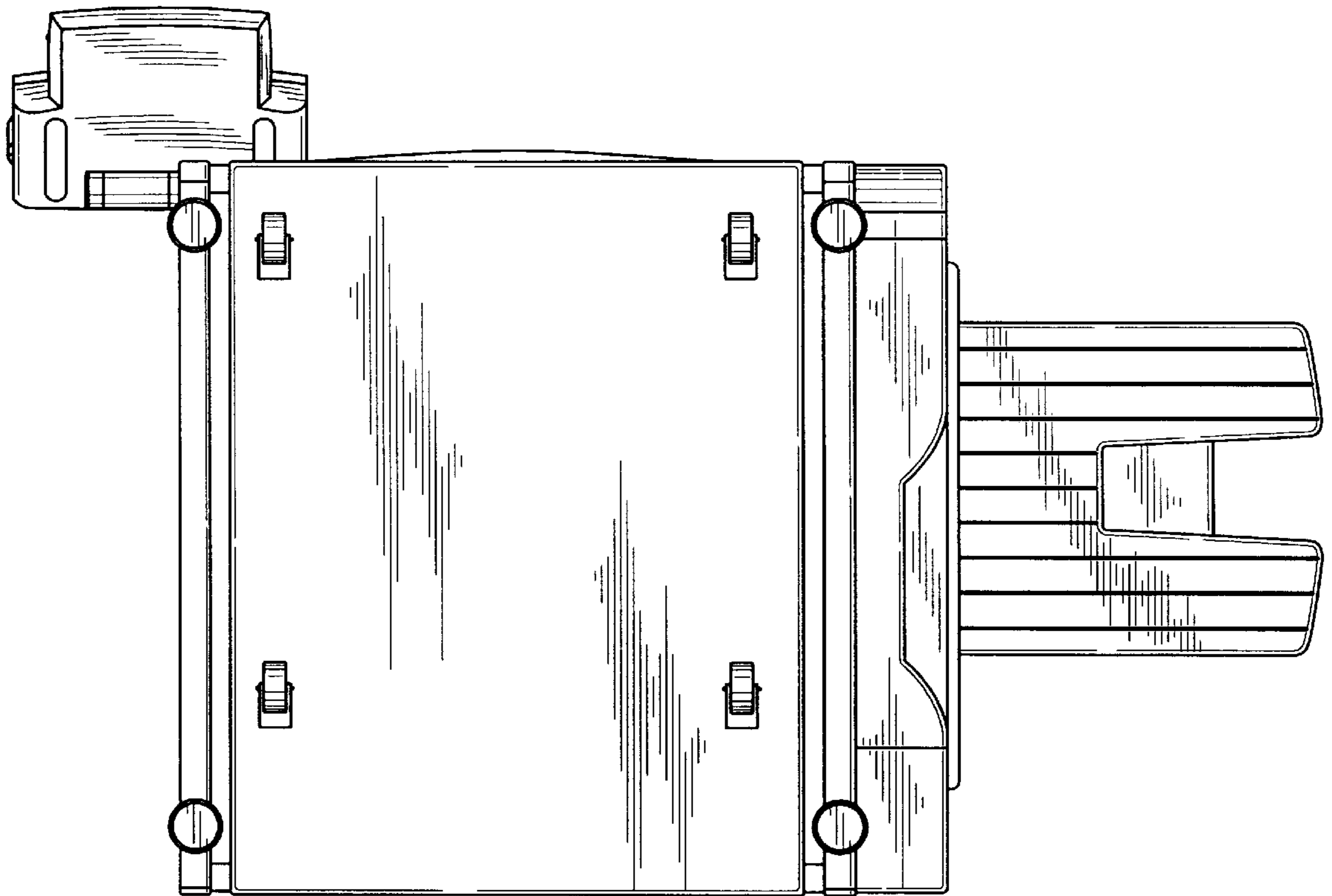


FIG. 5

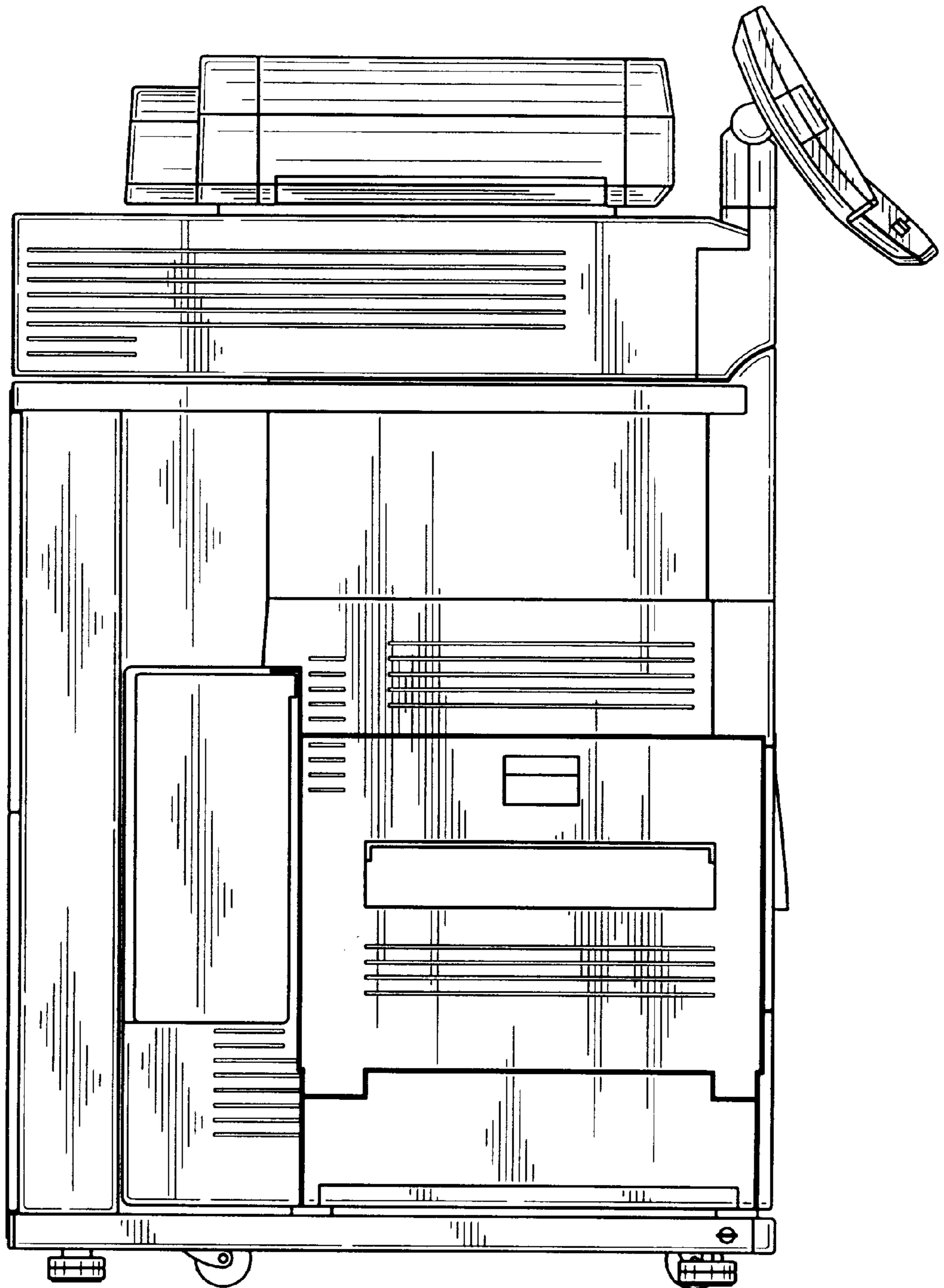
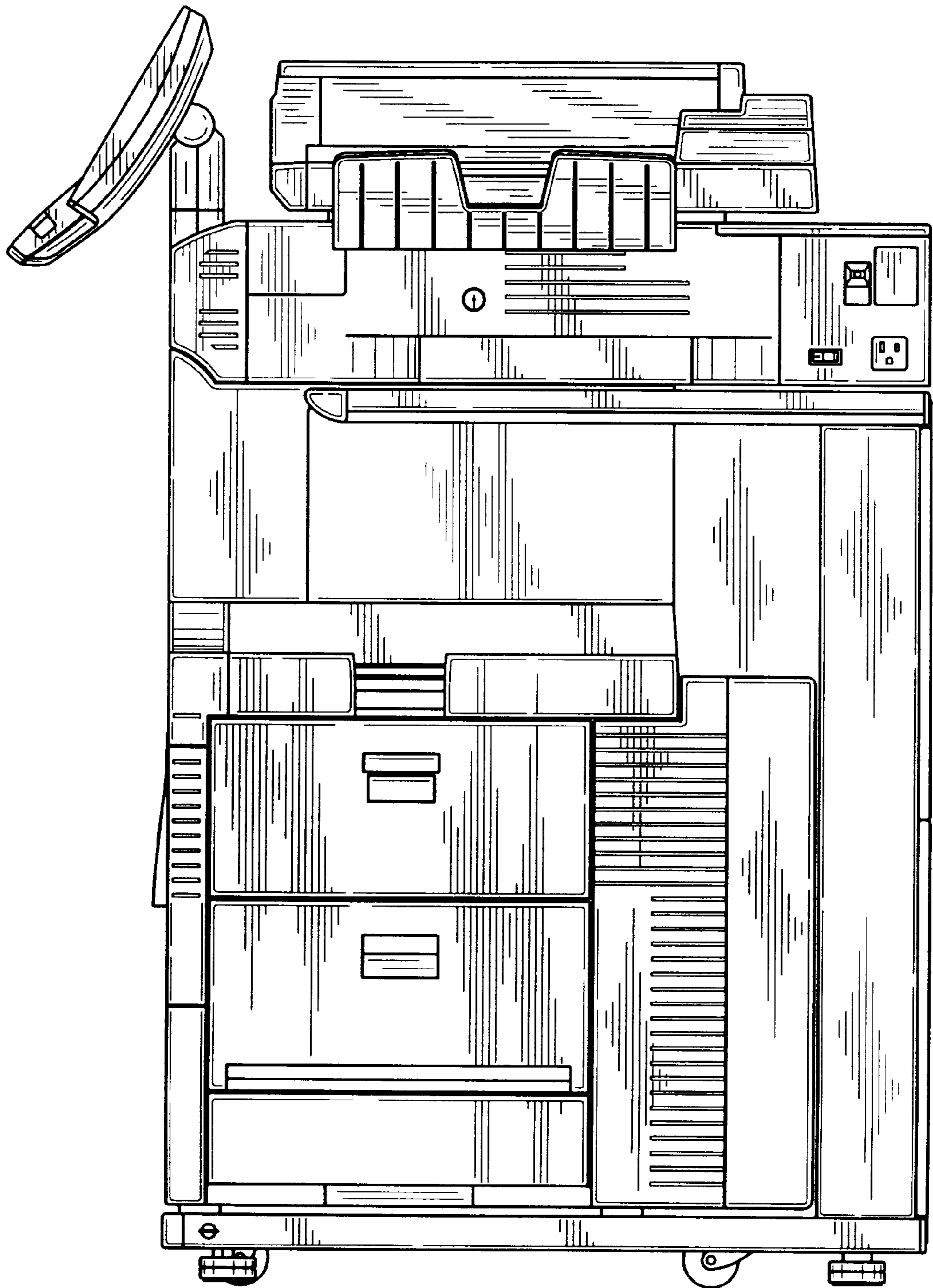


FIG. 6



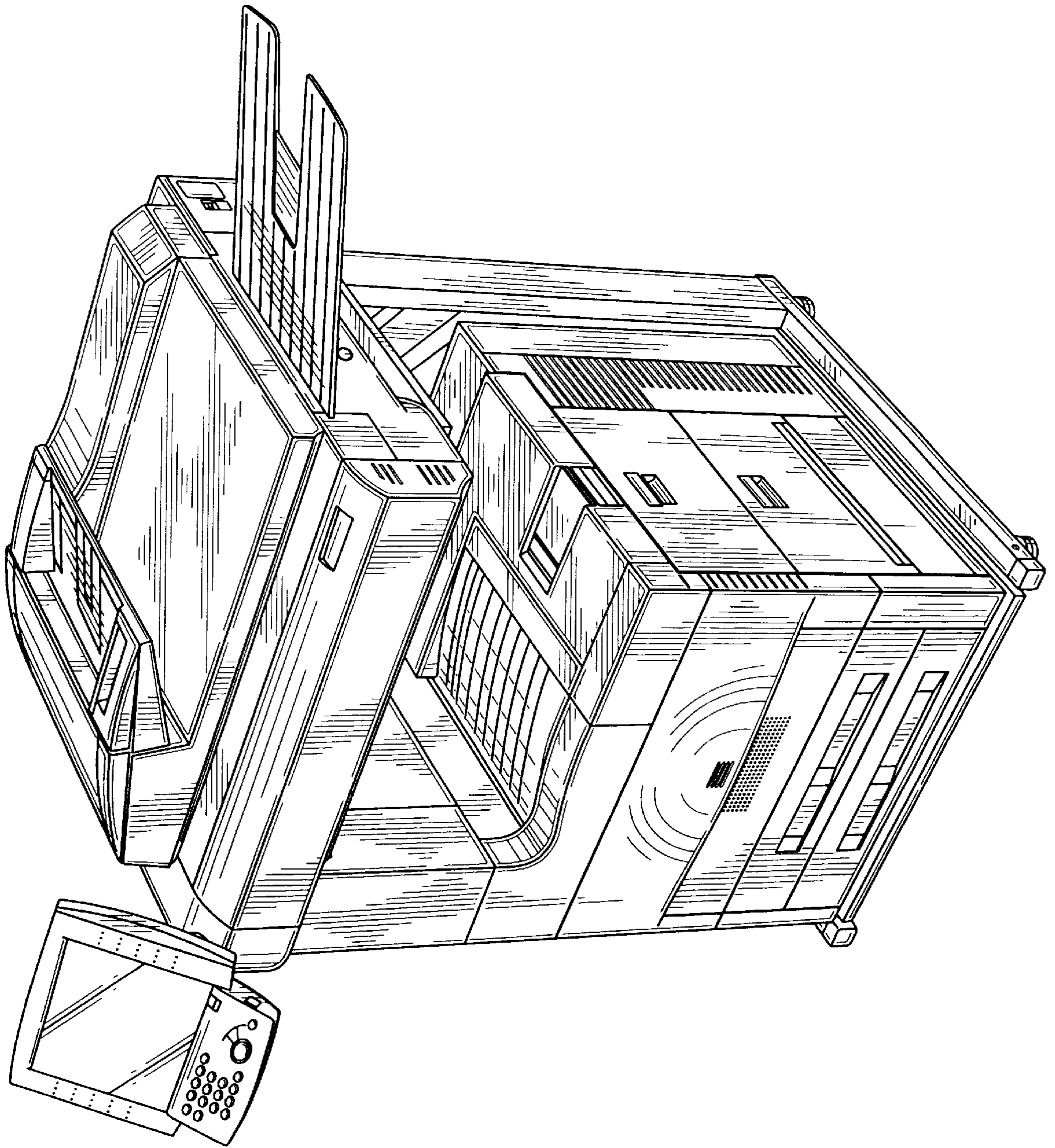


FIG. 7