



US00D425549S

United States Patent [19]

Bierwerth et al.

[11] Patent Number: **Des. 425,549**

[45] Date of Patent: **** May 23, 2000**

[54] **FILTER FOR USE WITH AN ELECTROGRAPHIC IMAGING SYSTEM**

[75] Inventors: **Randy A. Bierwerth**, Woodbury;
James E. Zenk, St. Paul, both of Minn.

[73] Assignee: **Imation Corp.**, Oakdale, Minn.

[**] Term: **14 Years**

[21] Appl. No.: **29/107,849**

[22] Filed: **Jul. 14, 1999**

[51] **LOC (7) Cl.** **16-03**

[52] **U.S. Cl.** **D18/40**

[58] **Field of Search** D18/40, 56; D23/209,
D23/210, 365; D32/31; 399/93, 98

[56] **References Cited**

U.S. PATENT DOCUMENTS

D. 355,241	2/1995	Zylstra et al.	D23/209
D. 388,500	12/1997	Burchard et al.	D23/209
3,880,515	4/1975	Tanaka et al.	355/10
4,143,118	3/1979	Laing	423/210
4,379,129	4/1983	Abe	423/210
4,388,274	6/1983	Rourke et al.	422/177
4,733,272	3/1988	Howe et al.	355/10
5,117,262	5/1992	Yamaguchi	355/215
5,371,577	12/1994	Fujimura et al.	355/215
5,379,506	1/1995	Park	29/426.6
5,502,533	3/1996	Biegler	354/300

5,510,871	4/1996	Biegler et al.	354/300
5,600,396	2/1997	Biegler et al.	396/565
5,652,282	7/1997	Baker et al.	523/201
5,665,257	9/1997	Svendsen	219/216
5,737,674	4/1998	Venkatesan et al.	399/250
5,790,069	8/1998	McDaniel et al.	347/263
5,916,718	6/1999	Kellie et al.	430/45

Primary Examiner—Caron D. Veynar
Attorney, Agent, or Firm—William D. Bauer

[57] **CLAIM**

The ornamental design for a filter for use with an electrographic imaging system, as shown and described.

DESCRIPTION

FIG. 1 is a front, isometric view of a filter in accordance with the present invention.

FIG. 2 is a first side view of the filter of FIG. 1, wherein a second side view, opposite to the first side view, is identical/symmetrical to the first side view.

FIG. 3 is a top view of the filter of FIG. 1.

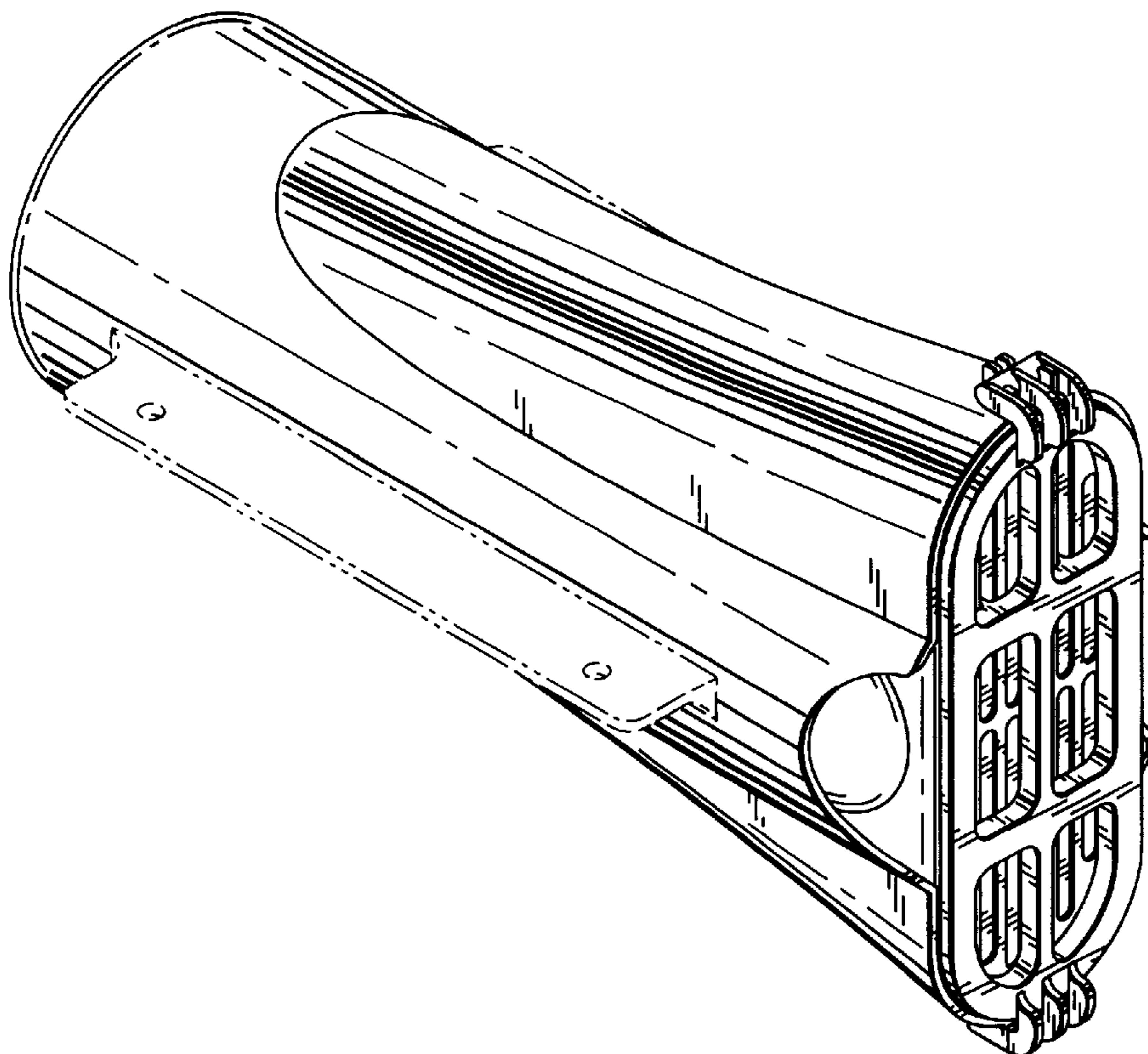
FIG. 4 is a bottom view of the filter of FIG. 1.

FIG. 5 is a front view of the filter of FIG. 1; and,

FIG. 6 is rear view of the filter of FIG. 1.

Those portions of the filter for use with an electrographic imaging system shown in broken lines are included for illustrative purposes only and form no part of the claimed design.

1 Claim, 3 Drawing Sheets



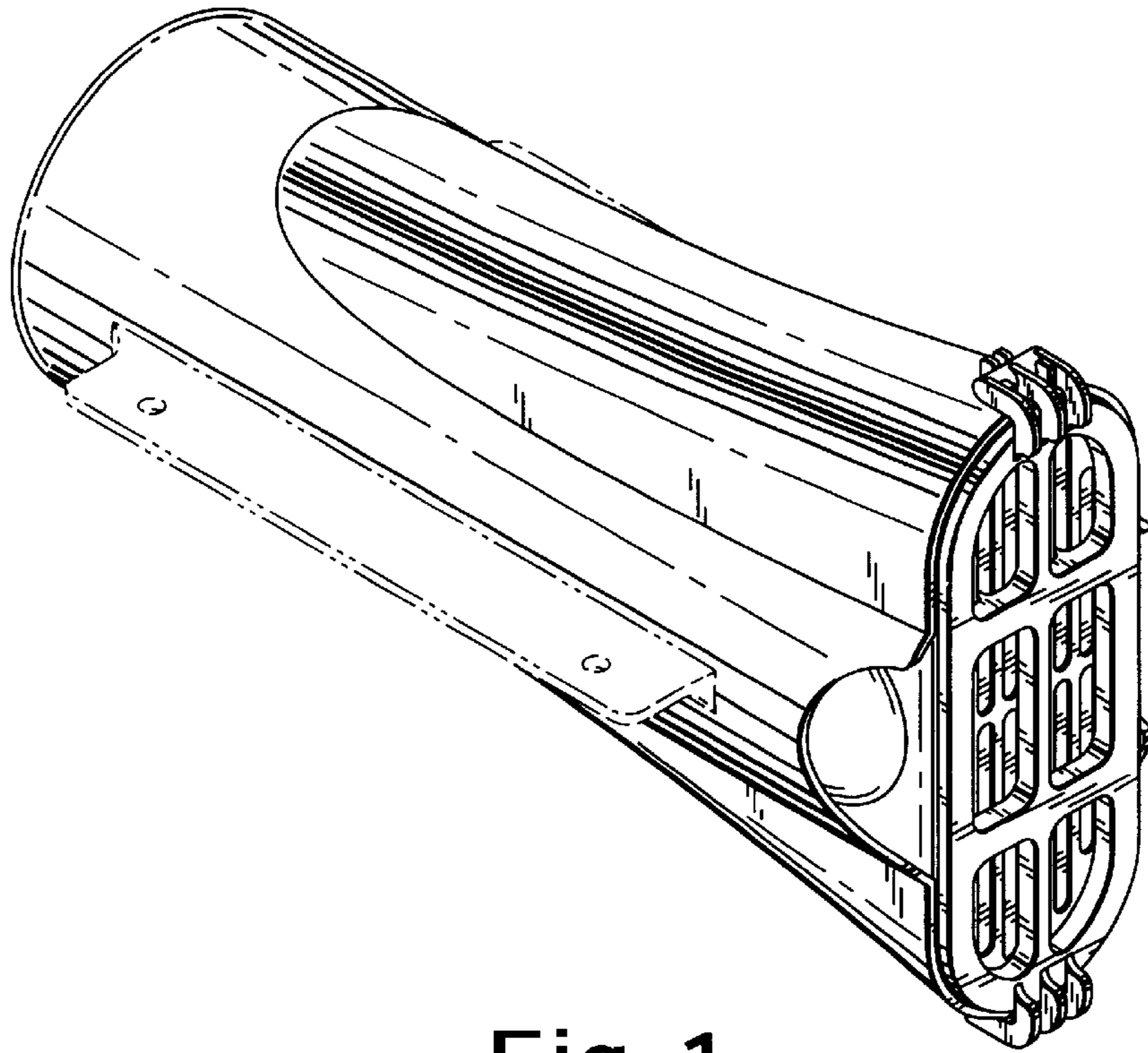


Fig. 1

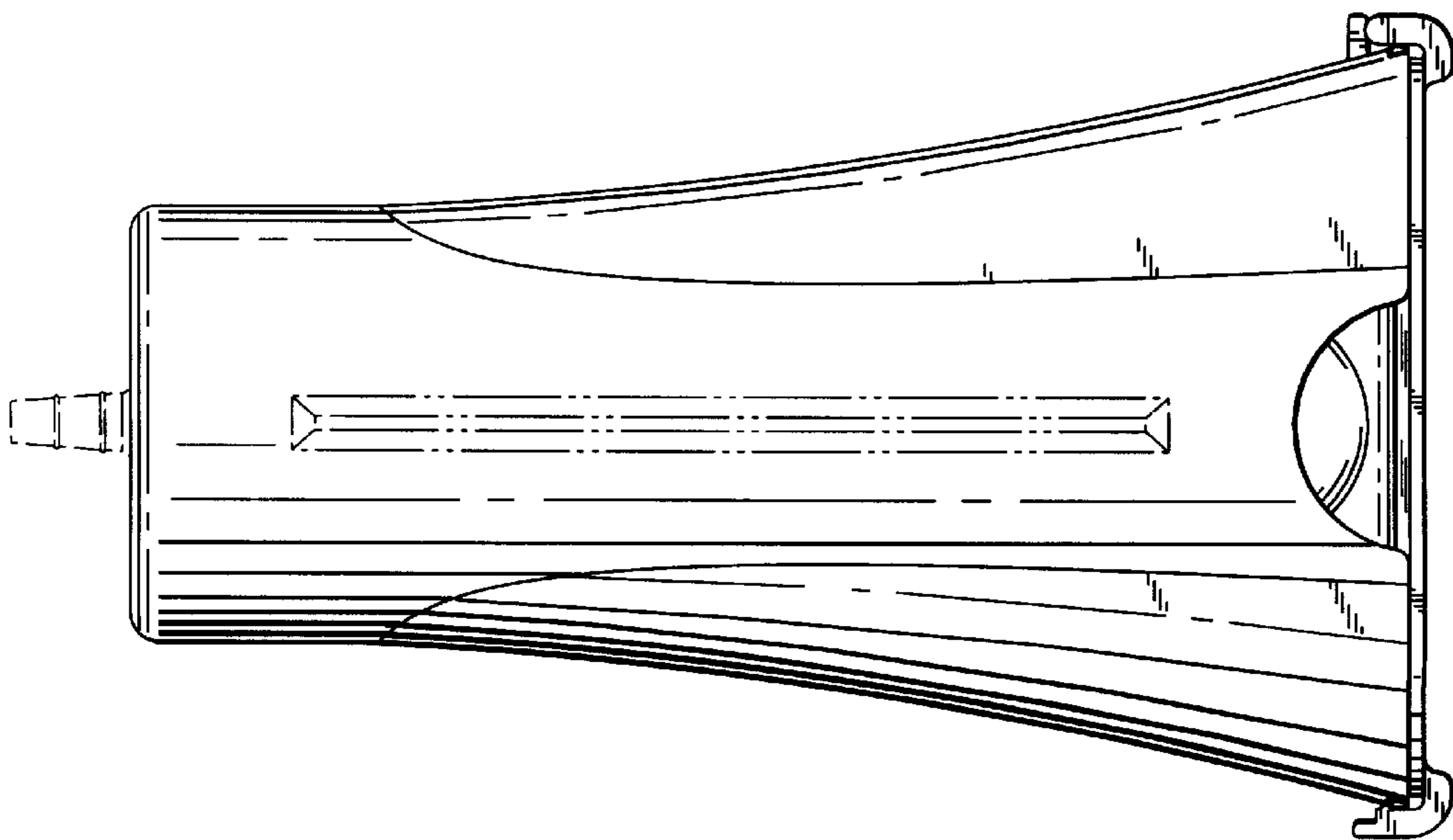


Fig. 2

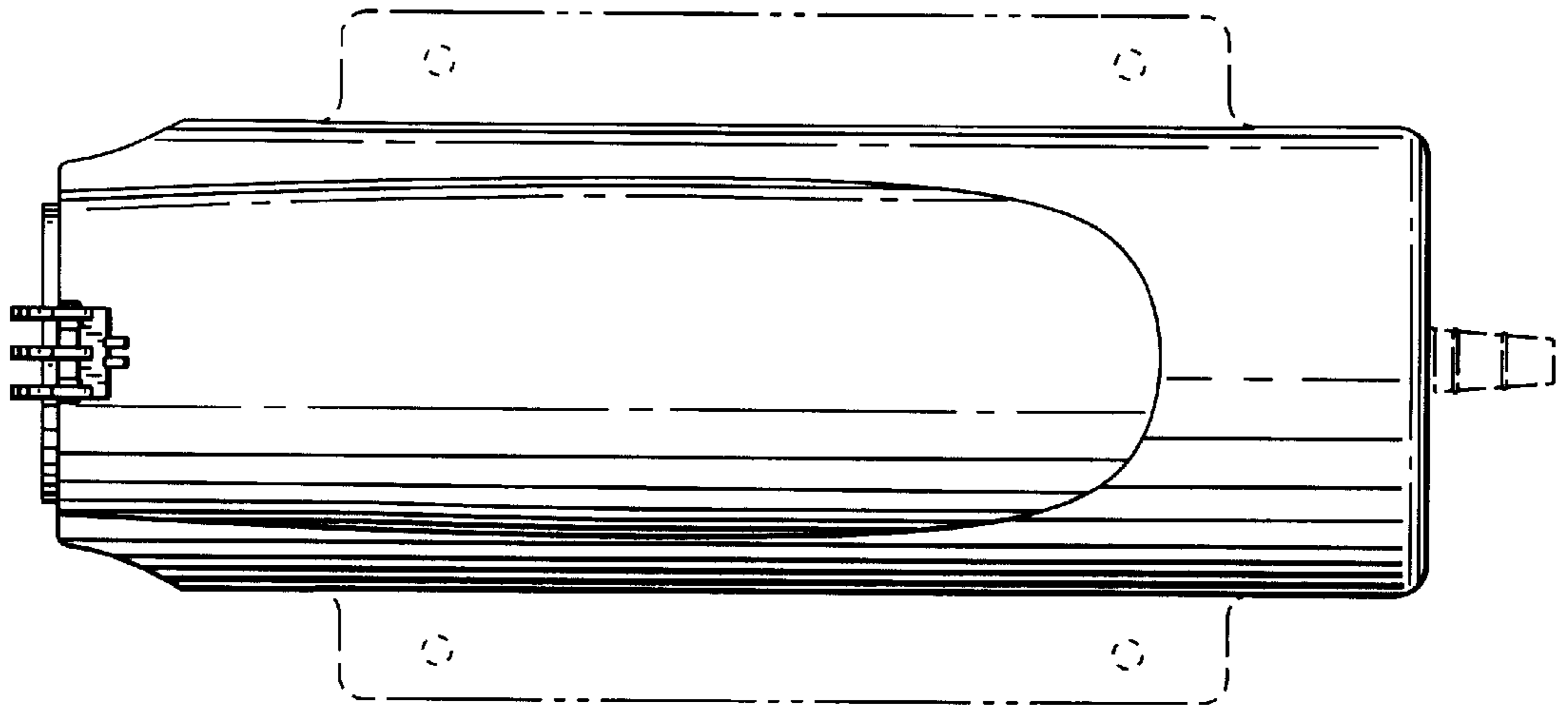


Fig. 3

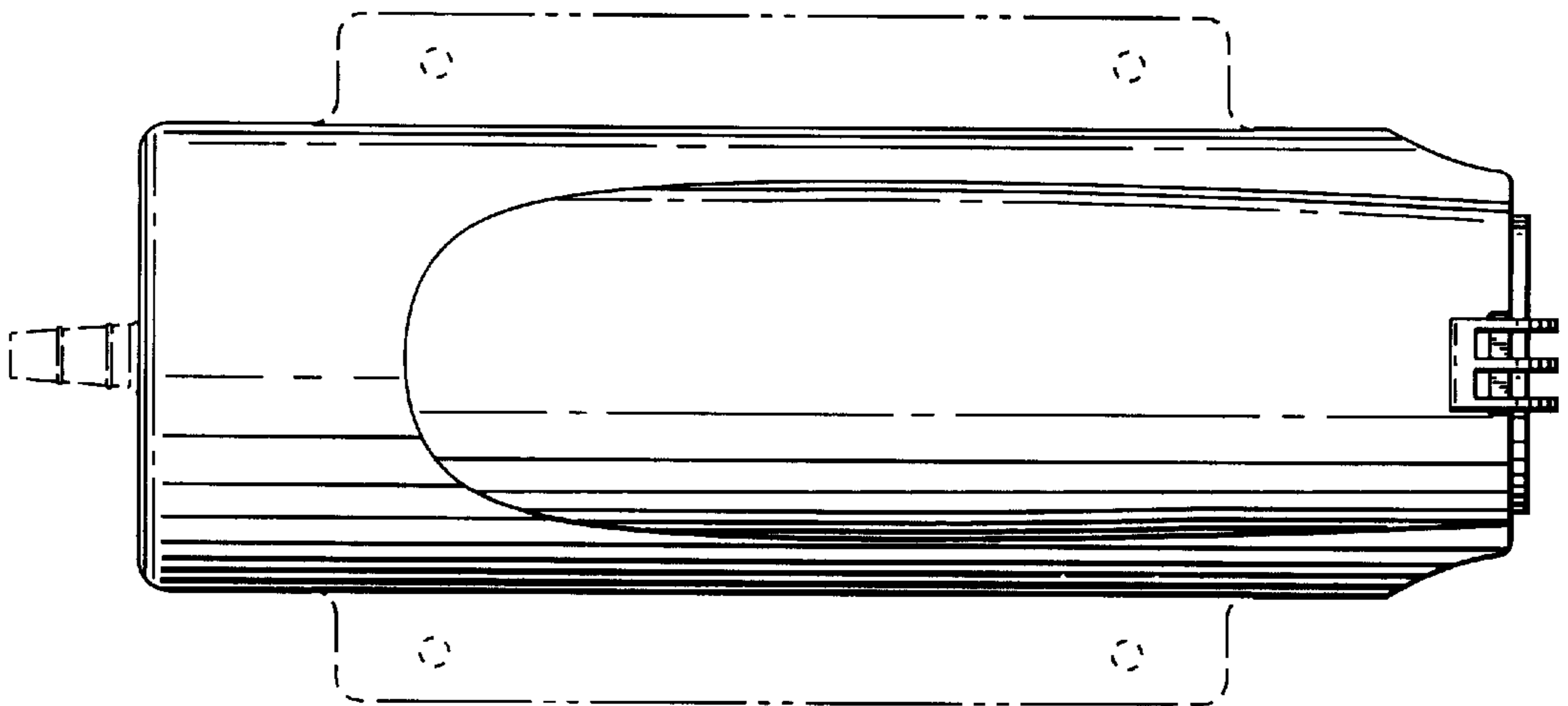


Fig. 4

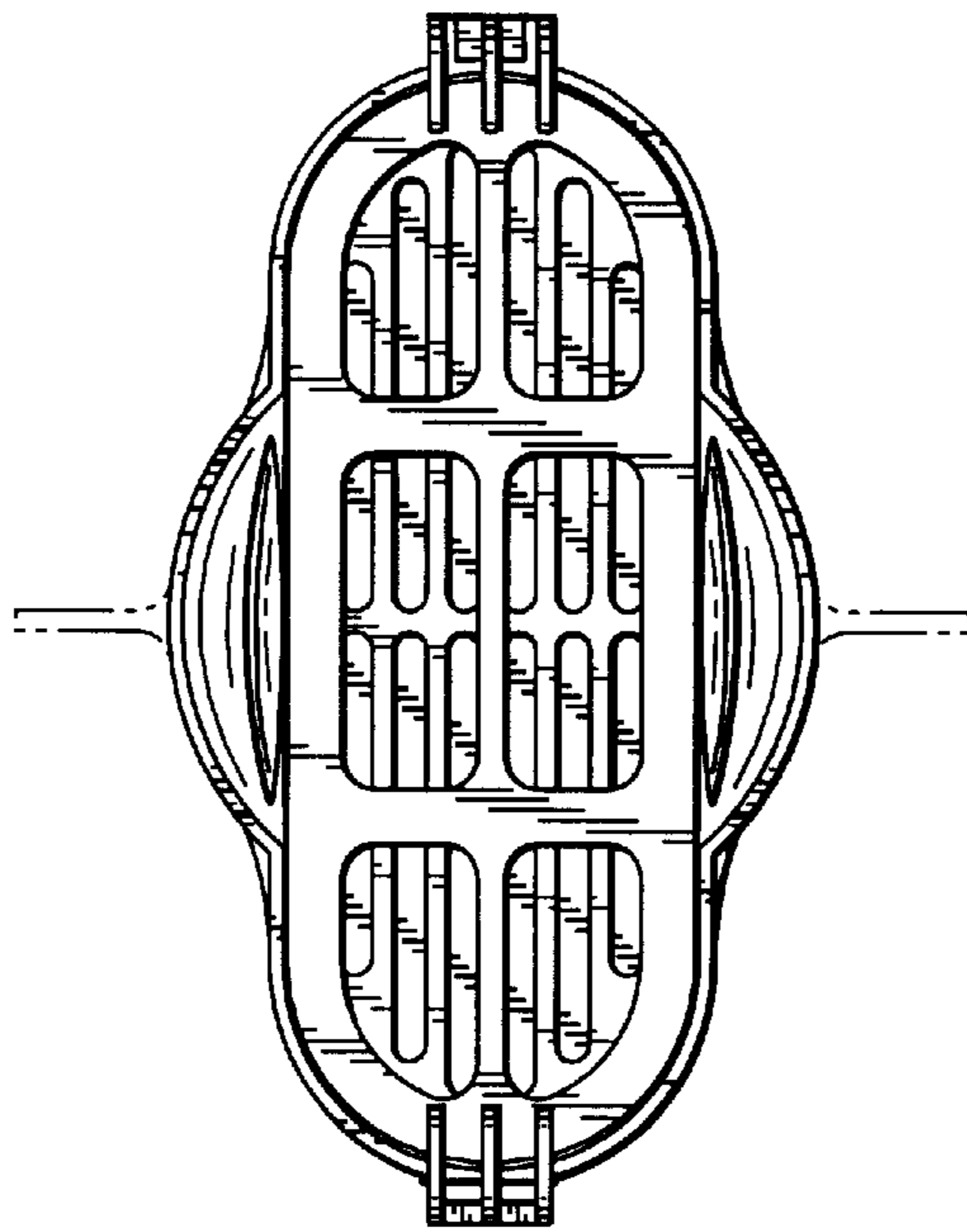


Fig. 5

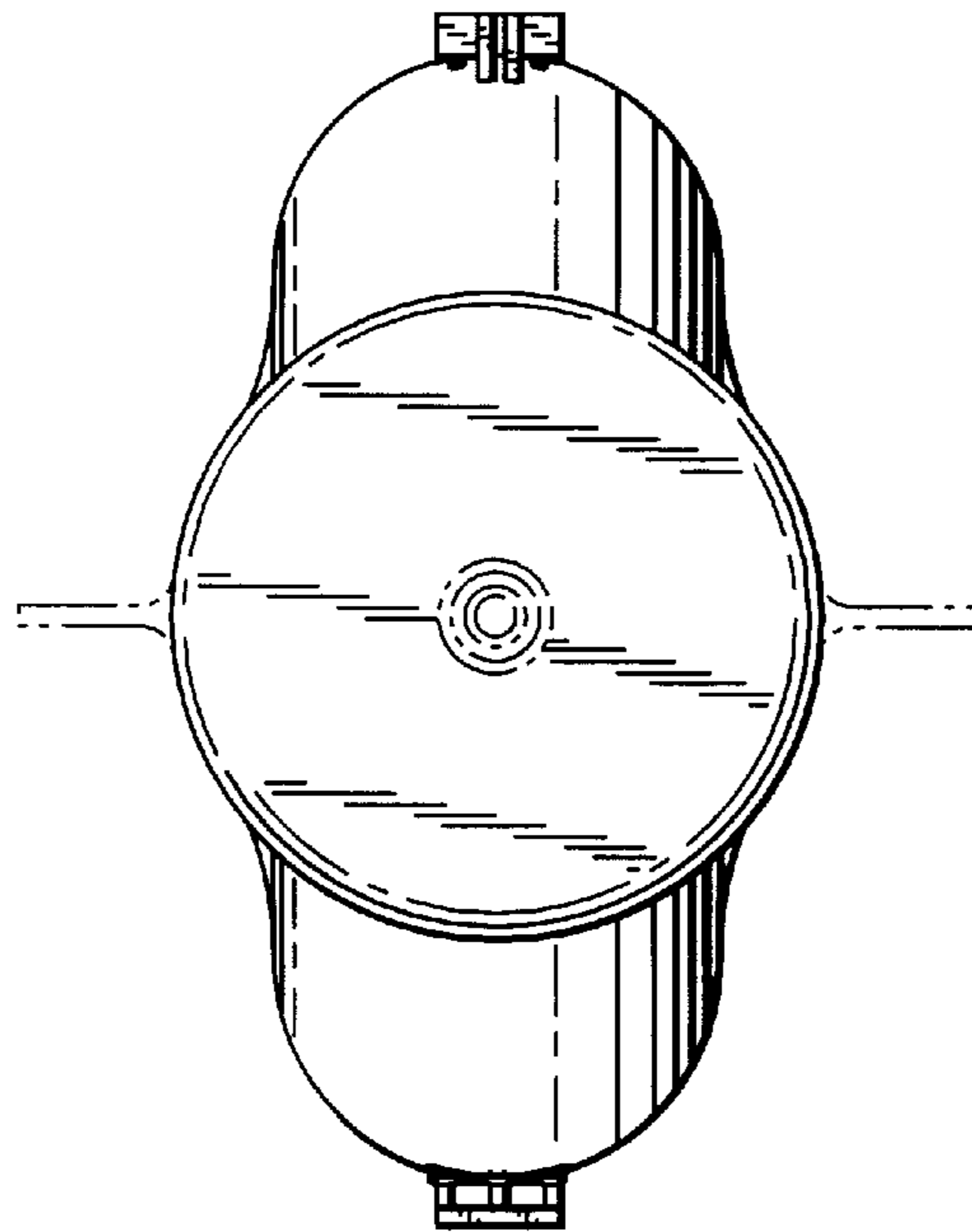


Fig. 6