



US00D425546S

United States Patent [19] Lee

[11] Patent Number: Des. 425,546

[45] Date of Patent: ** May 23, 2000

[54] PRE-INKED STAMP

5,855,170 1/1992 Shih 101/327

[76] Inventor: Chia Shan Lee, 2/F., 205B Ting Kok Village, Ting Kok Road, Tai Po, New Territories, The Hong Kong Special Administrative Region of the People's Republic of China

Primary Examiner—Louis S. Zarfes
Assistant Examiner—G. Andoll
Attorney, Agent, or Firm—Alix, Yale & Ristas, LLP

[**] Term: 14 Years

[57] CLAIM

The ornamental design for a pre-inked stamp, as shown and described.

[21] Appl. No.: 29/110,509

DESCRIPTION

[22] Filed: Sep. 7, 1999

FIG. 1 is a front perspective view of the pre-inked stamp showing my new design;

[51] LOC (7) Cl. 14-03

FIG. 2 is a front perspective view in a separated position of the pre-inked stamp of FIG. 1;

[52] U.S. Cl. D18/15

FIG. 3 is a front view of the pre-inked stamp of FIG. 1;

[58] Field of Search D18/14-18; 101/327, 101/333, 334, 371, 379, 405

FIG. 4 is a right side view of the pre-inked stamp of FIG. 1;

FIG. 5 is a top plan view of the pre-inked stamp of FIG. 1;

FIG. 6 is a rear view of the pre-inked stamp of FIG. 1;

FIG. 7 is a left side view of the pre-inked stamp of FIG. 1;

and,

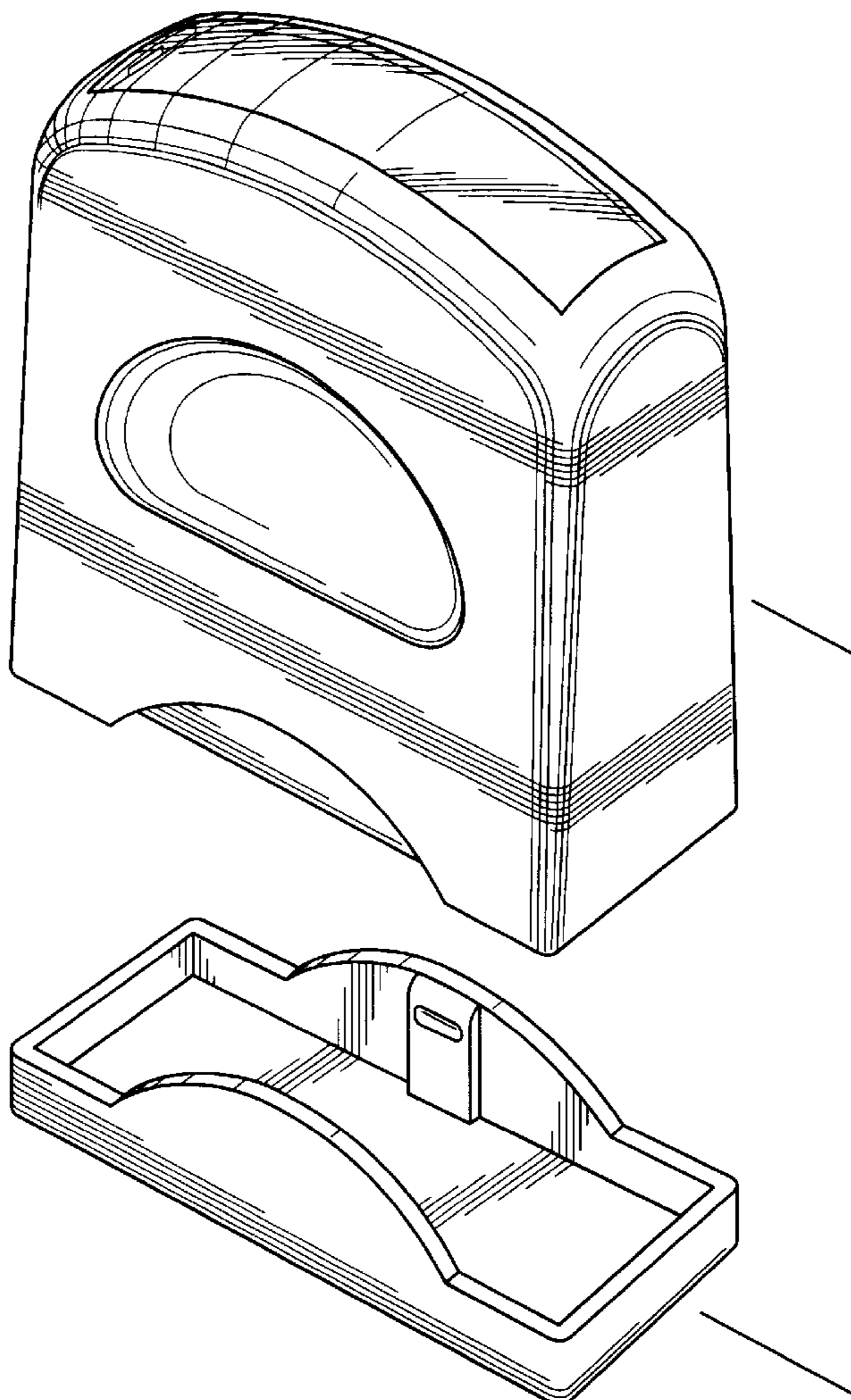
FIG. 8 is a bottom plan view of the pre-inked stamp of FIG. 1.

[56] References Cited

U.S. PATENT DOCUMENTS

D. 323,527	1/1992	Weir et al.	D18/15
D. 384,096	9/1997	Harden	D18/15
D. 391,983	3/1998	Yamaguchi	D18/15
D. 417,232	11/1999	Harden	D18/14

1 Claim, 4 Drawing Sheets



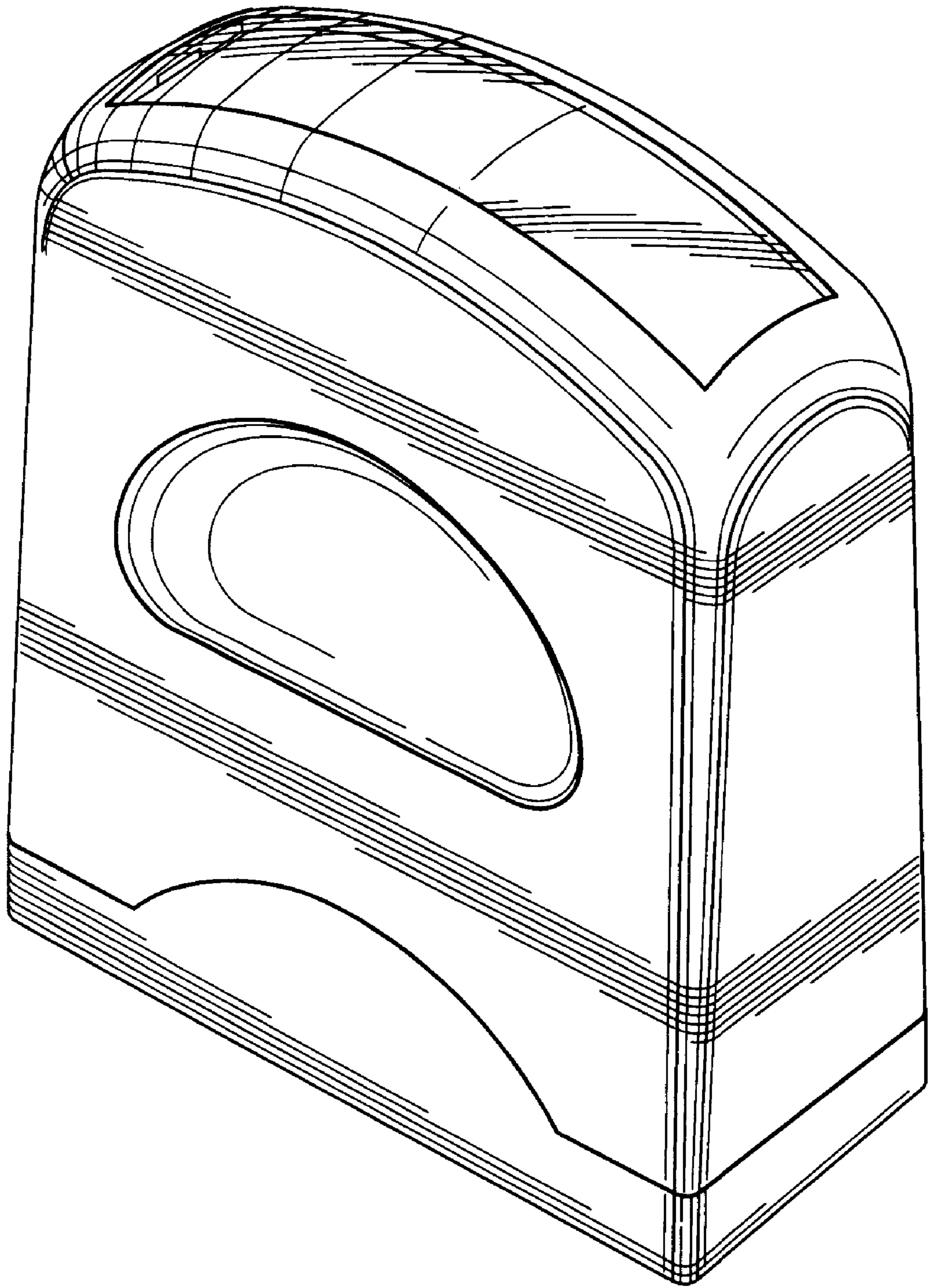


FIG. 1

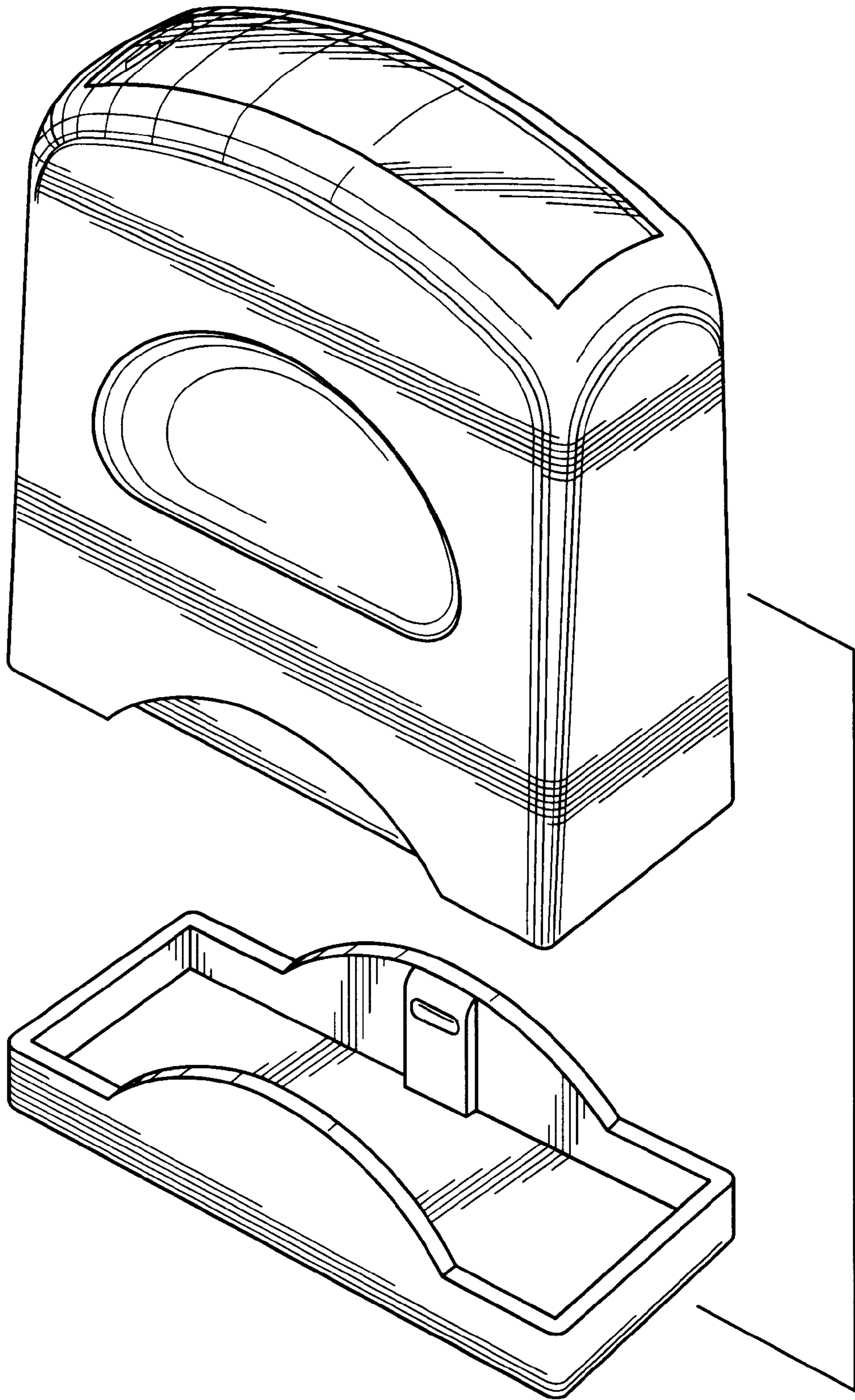


FIG. 2

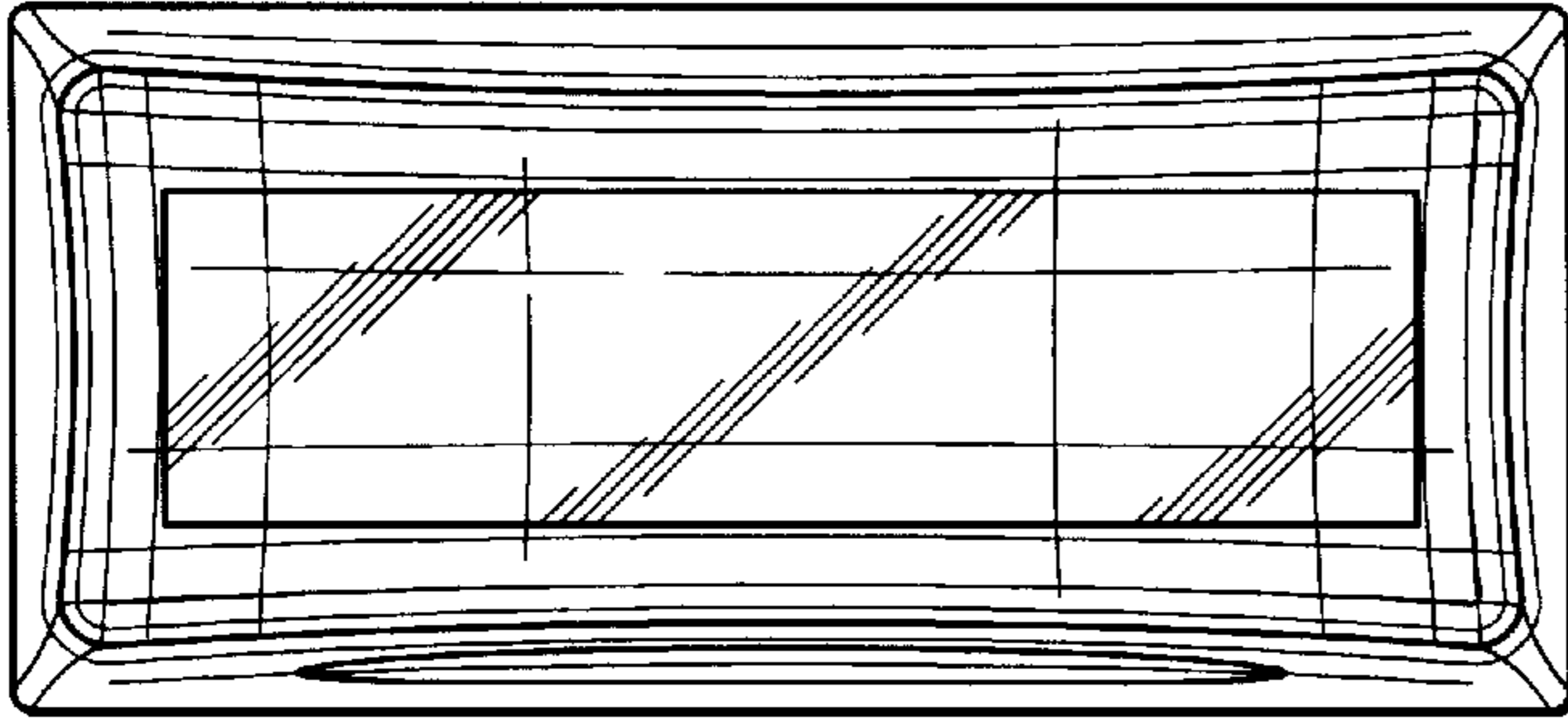


FIG. 5

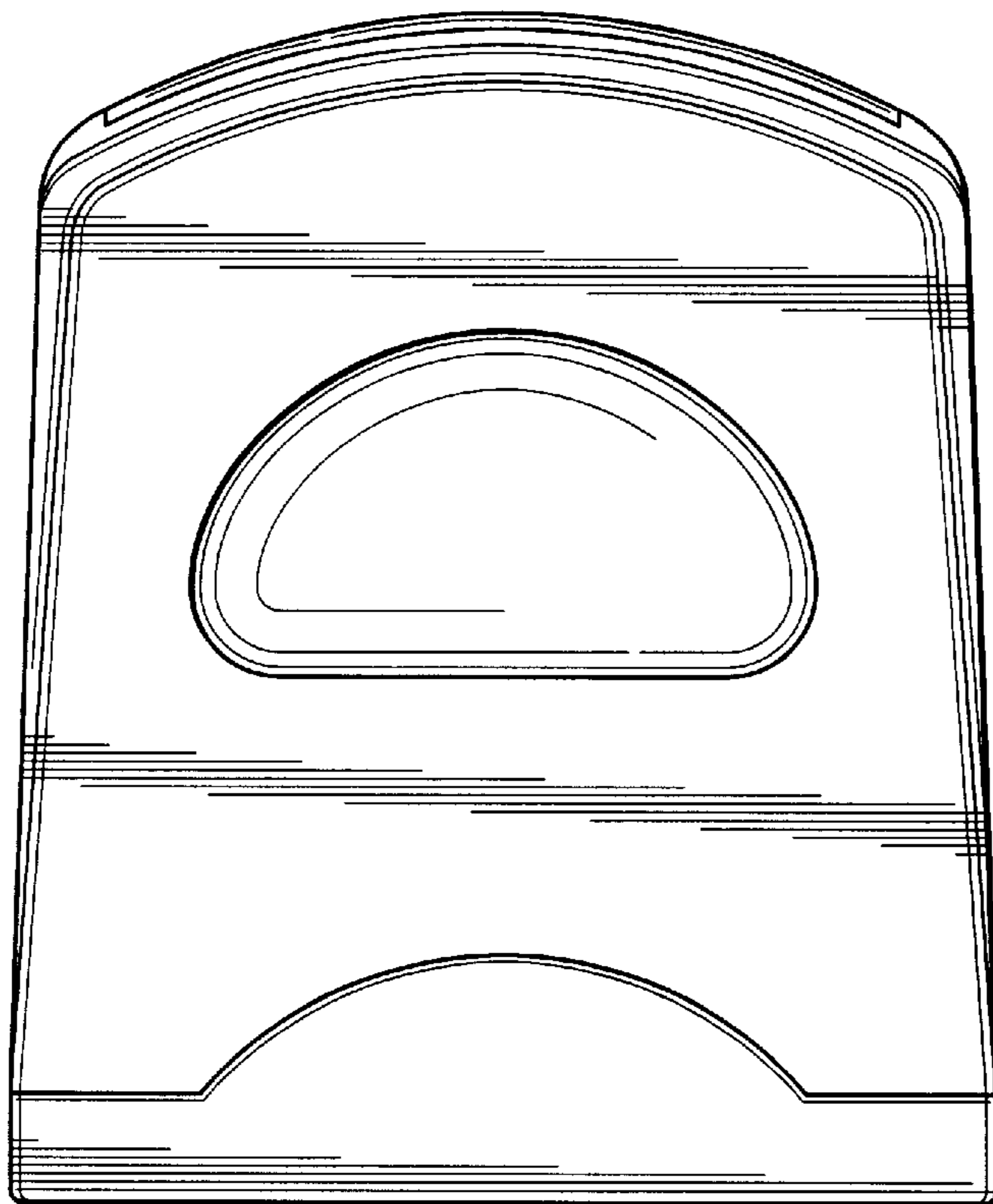


FIG. 3

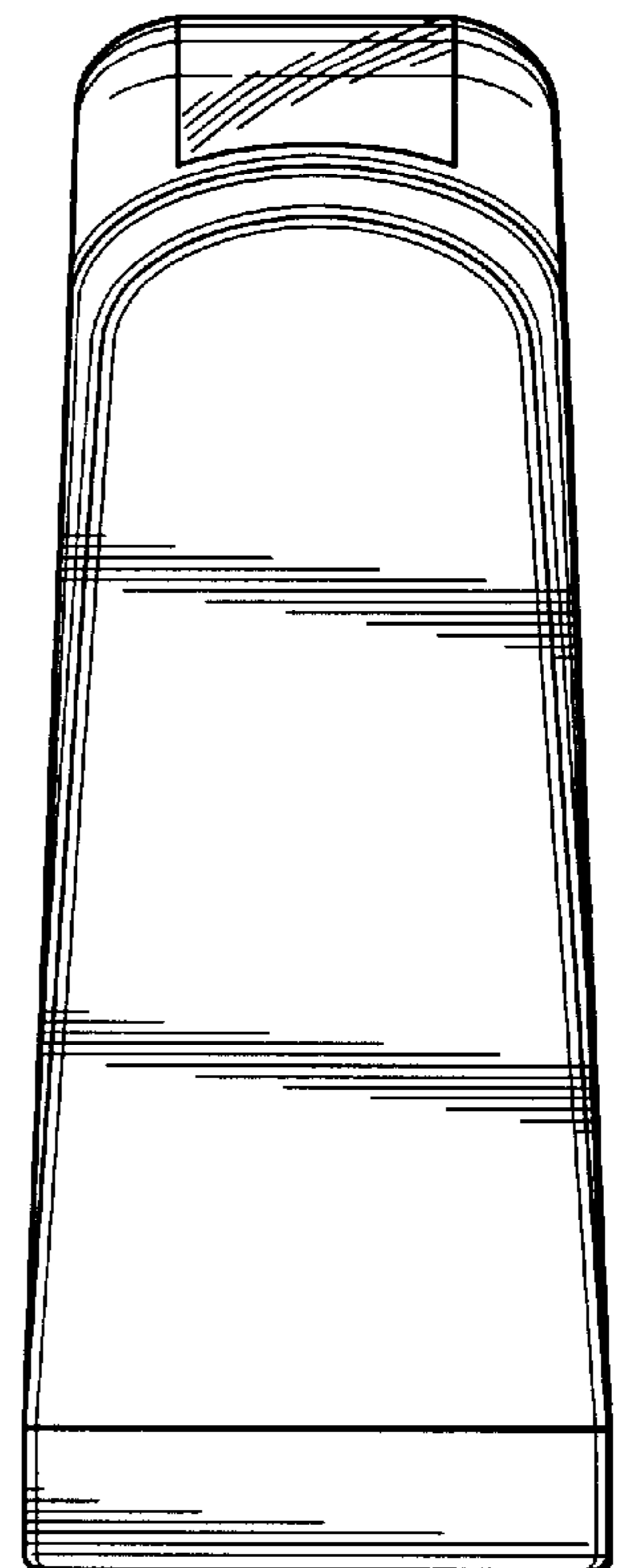


FIG. 4

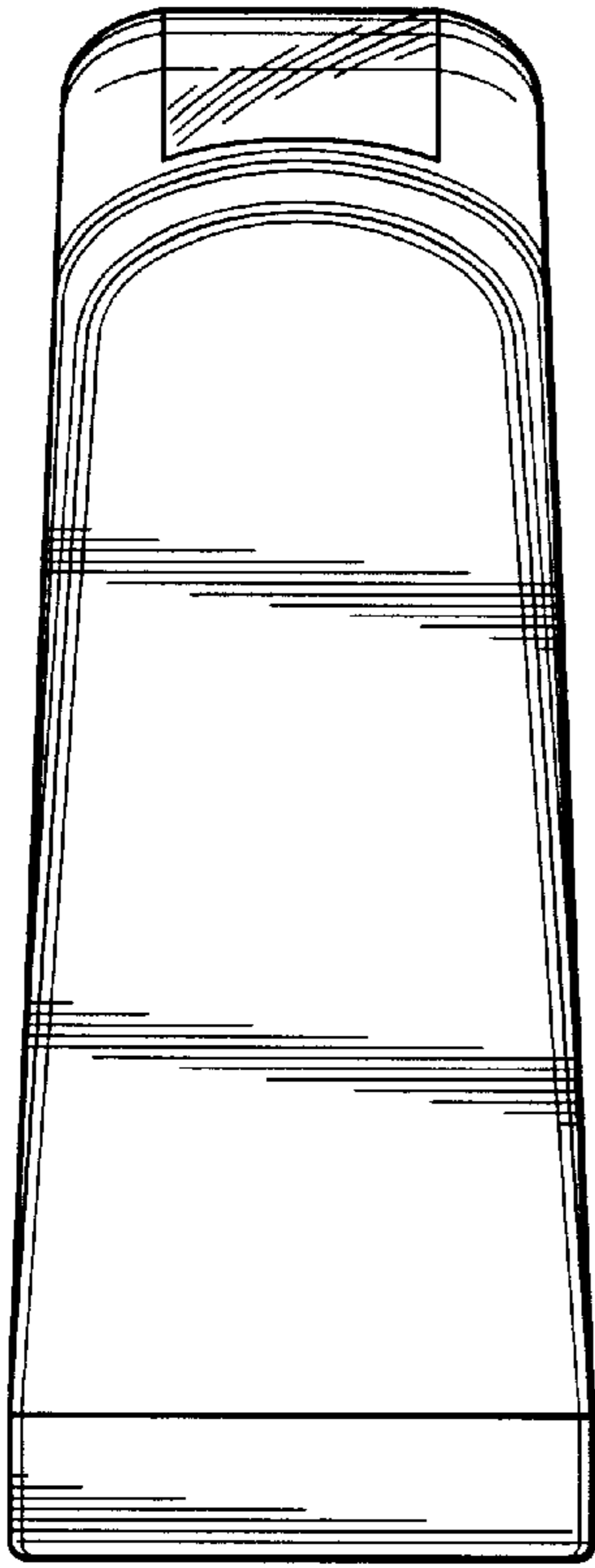


FIG. 7

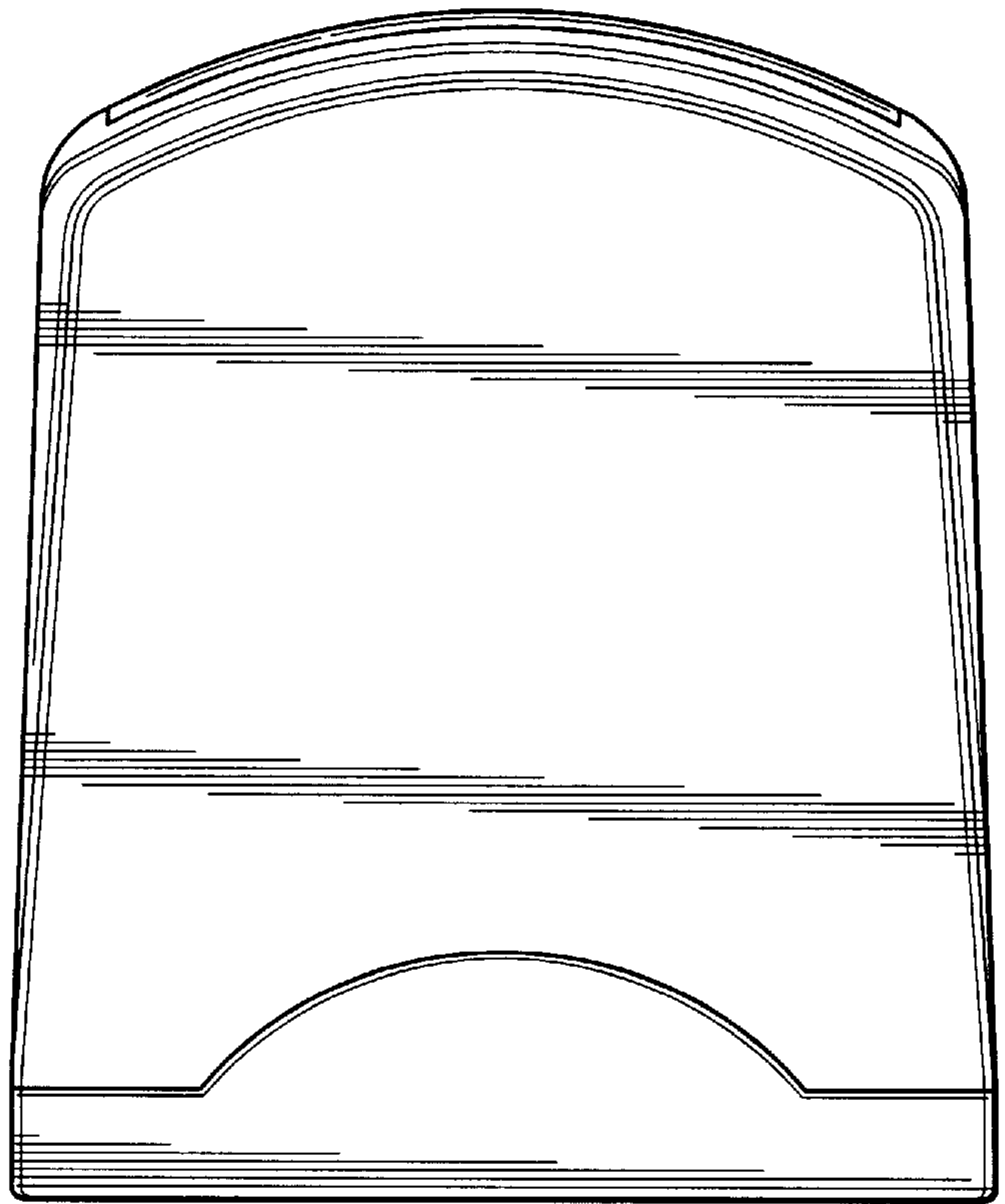


FIG. 6

FIG. 8

