



US00D425545S

United States Patent [19]
Ishida

[11] **Patent Number: Des. 425,545**

[45] **Date of Patent: ** May 23, 2000**

[54] **INK RIBBON CARTRIDGE FOR FACSIMILE MACHINE**

[75] Inventor: **Kazuhito Ishida**, Ichinomiya, Japan

[73] Assignee: **Brother Kogyo Kabushiki Kaisha**, Nagoya, Japan

[**] Term: **14 Years**

[21] Appl. No.: **29/098,044**

[22] Filed: **Dec. 18, 1998**

[51] **LOC (7) Cl.** **18-01**

[52] **U.S. Cl.** **D18/12; D14/121**

[58] **Field of Search** D18/12, 40, 43, D18/56; D14/118, 120, 121; 400/207, 208

[56] **References Cited**

U.S. PATENT DOCUMENTS

- D. 334,021 3/1993 Nagai et al. D18/12
- D. 334,209 3/1993 Katsuno D18/12 X

- D. 334,585 4/1993 Okauchi D18/40
- D. 355,436 2/1995 Suwa D18/12
- D. 397,142 8/1998 Hammill et al. D18/56
- 5,897,256 4/1999 Kameyama 400/208

Primary Examiner—Caron D. Veynar
Attorney, Agent, or Firm—Oliff & Berridge, PLC

[57] **CLAIM**

The ornamental design for an ink ribbon cartridge for facsimile machine, as shown and described.

DESCRIPTION

FIG. 1 is a top view of an ink ribbon cartridge for facsimile machine in accordance with my inventive design;
FIG. 2 is a front view thereof;
FIG. 3 is a left side view thereof;
FIG. 4 is a right side view thereof;
FIG. 5 is a bottom view thereof;
FIG. 6 is a rear view thereof; and,
FIG. 7 is a perspective view thereof.

1 Claim, 4 Drawing Sheets

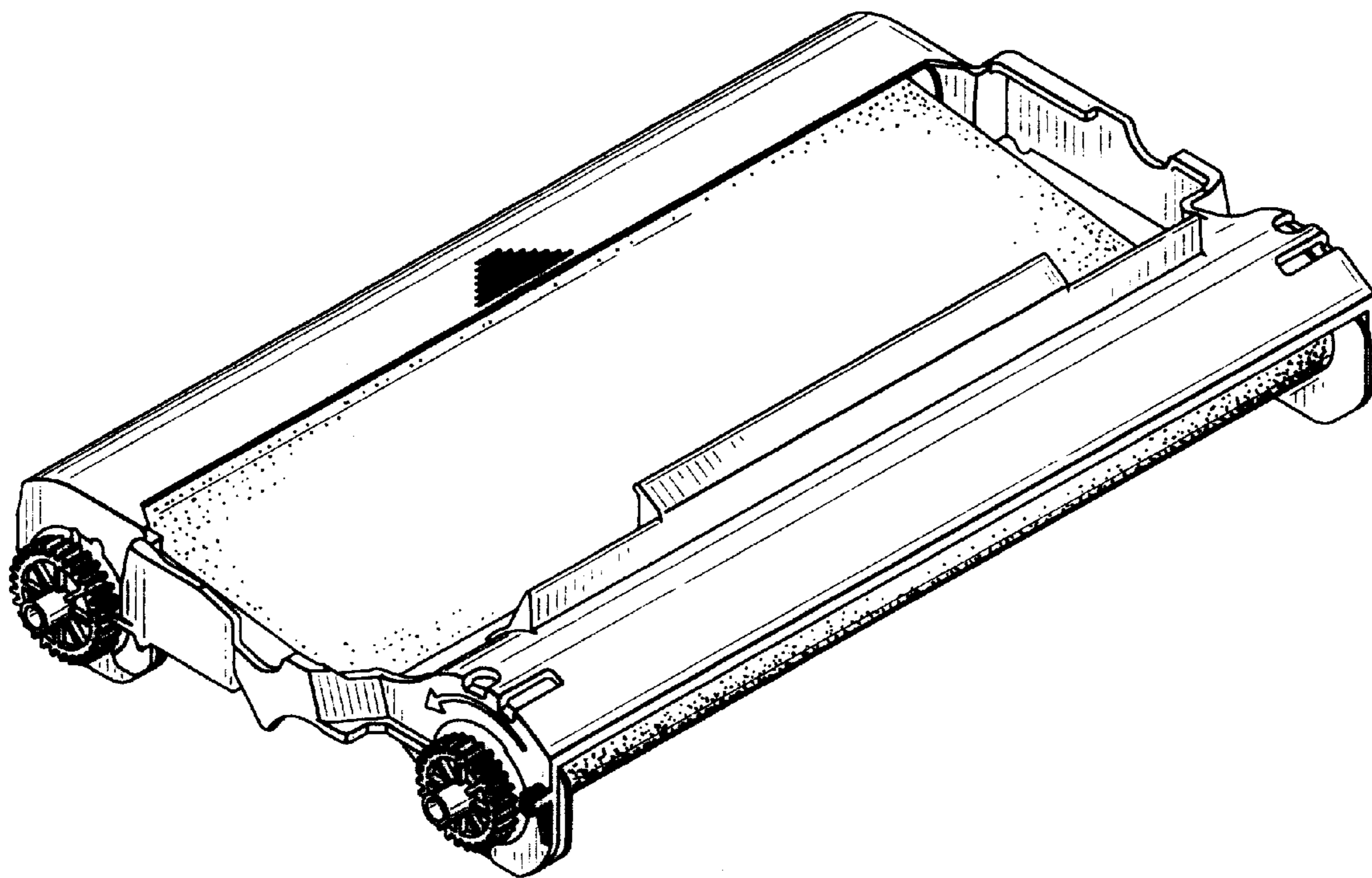


FIG. 1

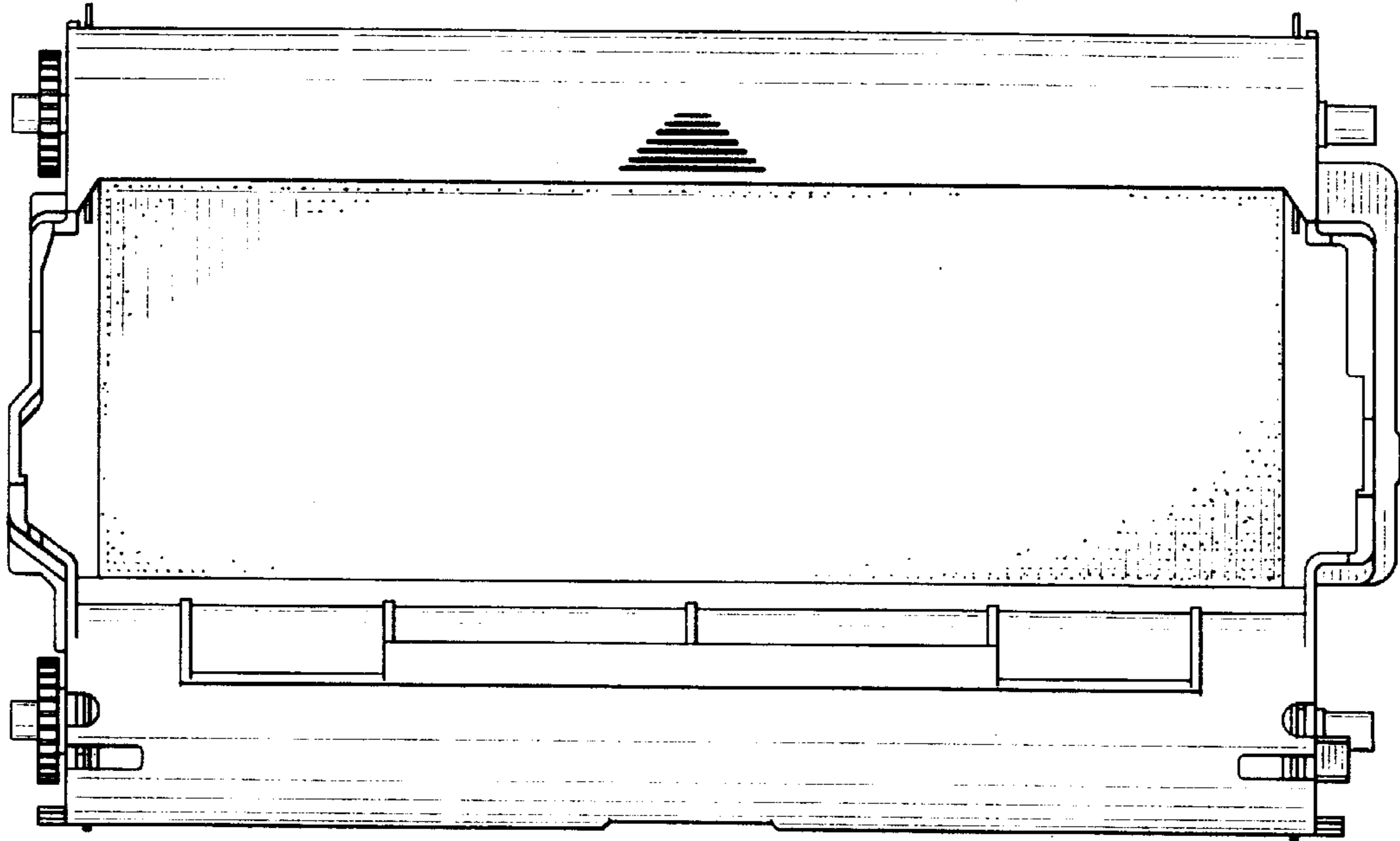


FIG. 2

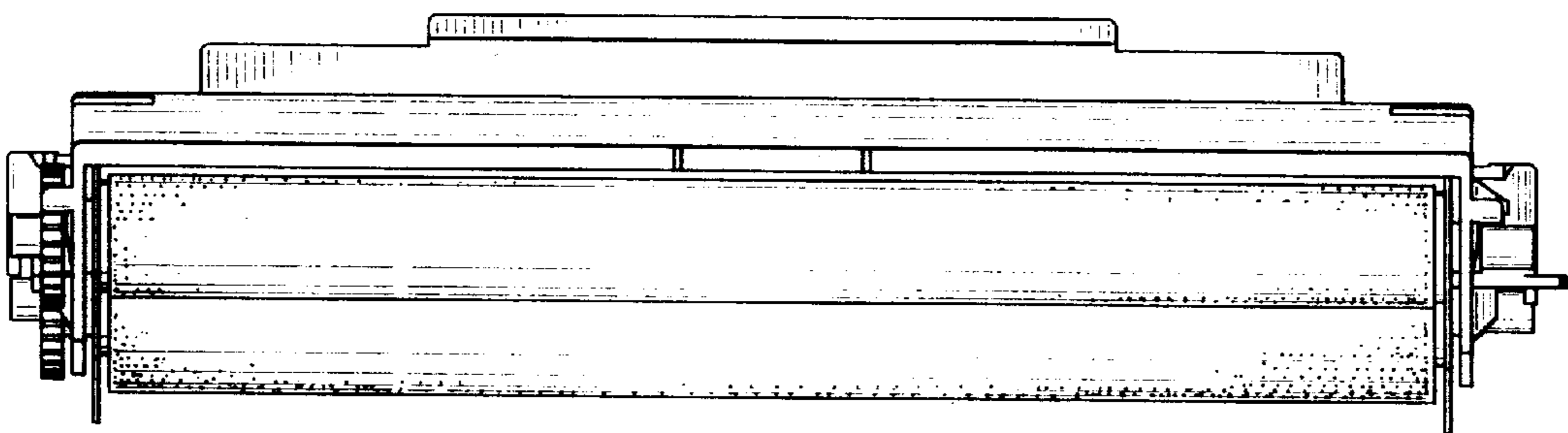


FIG. 3

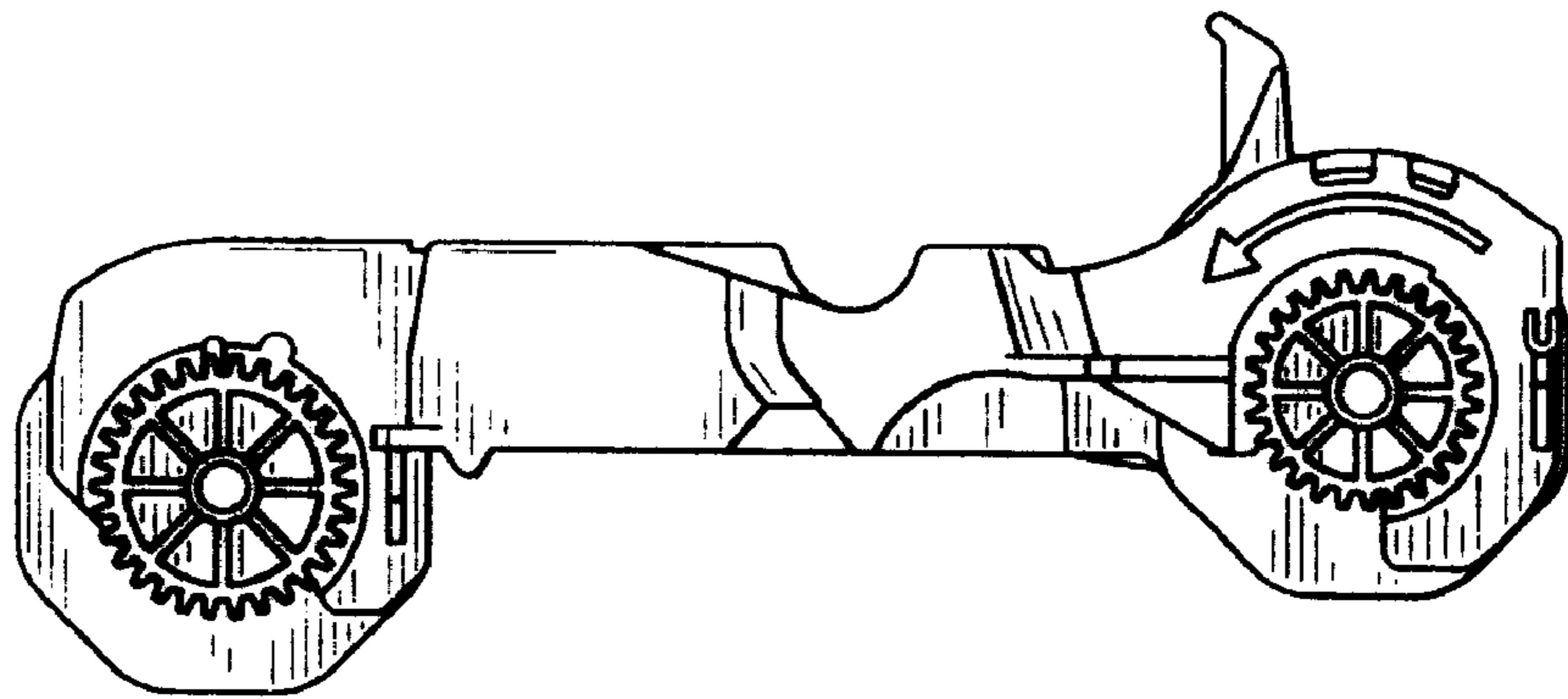


FIG. 4

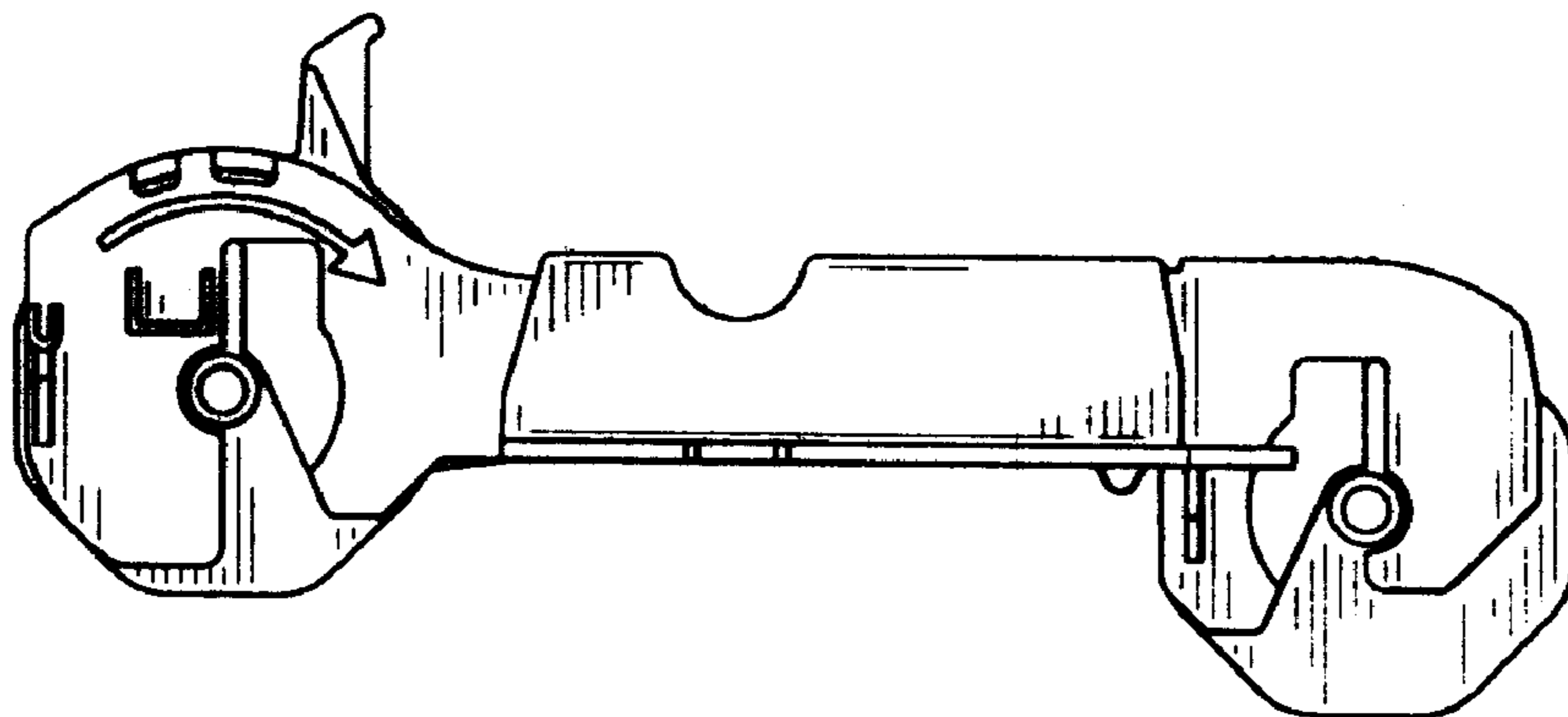


FIG. 5

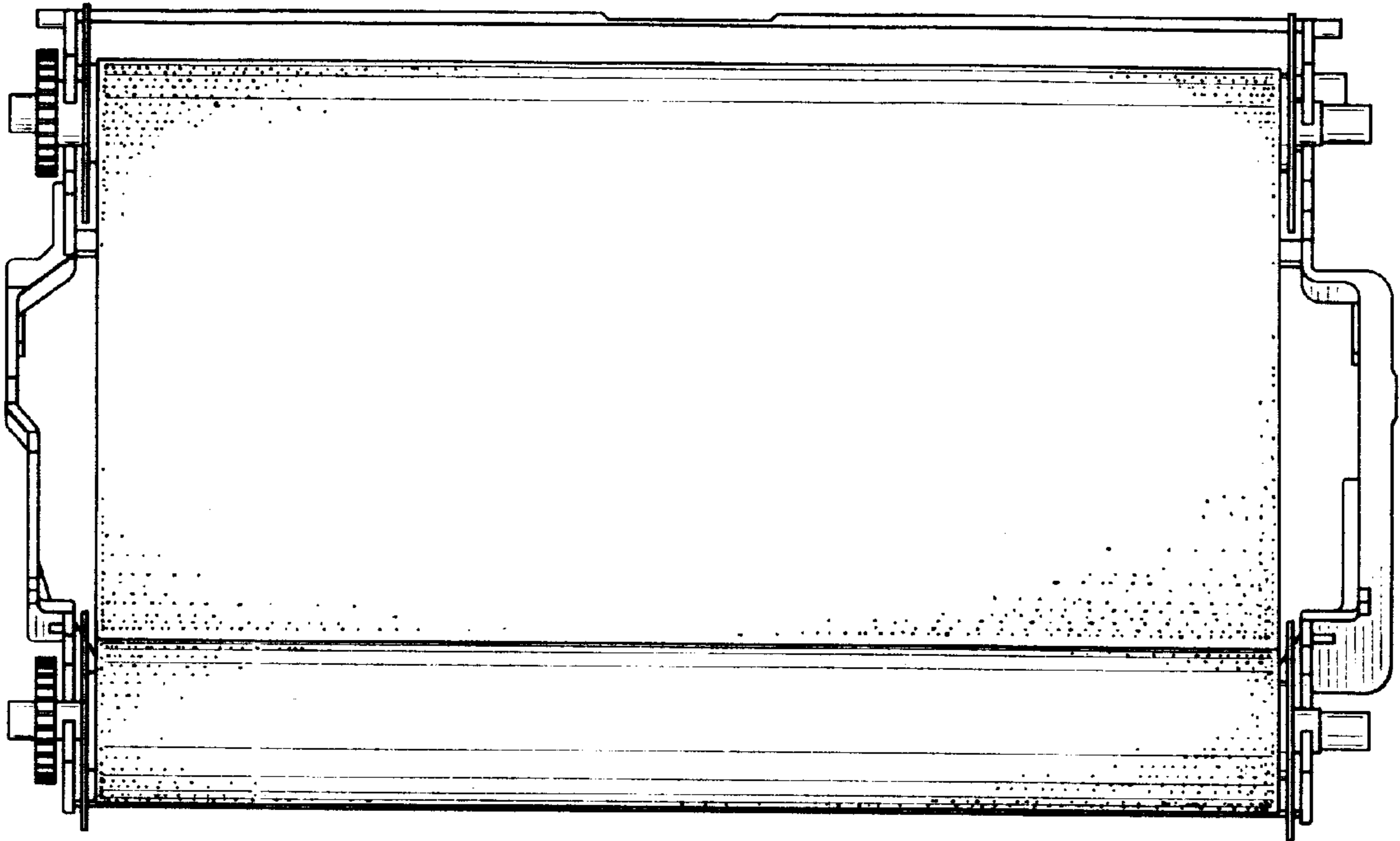


FIG. 6

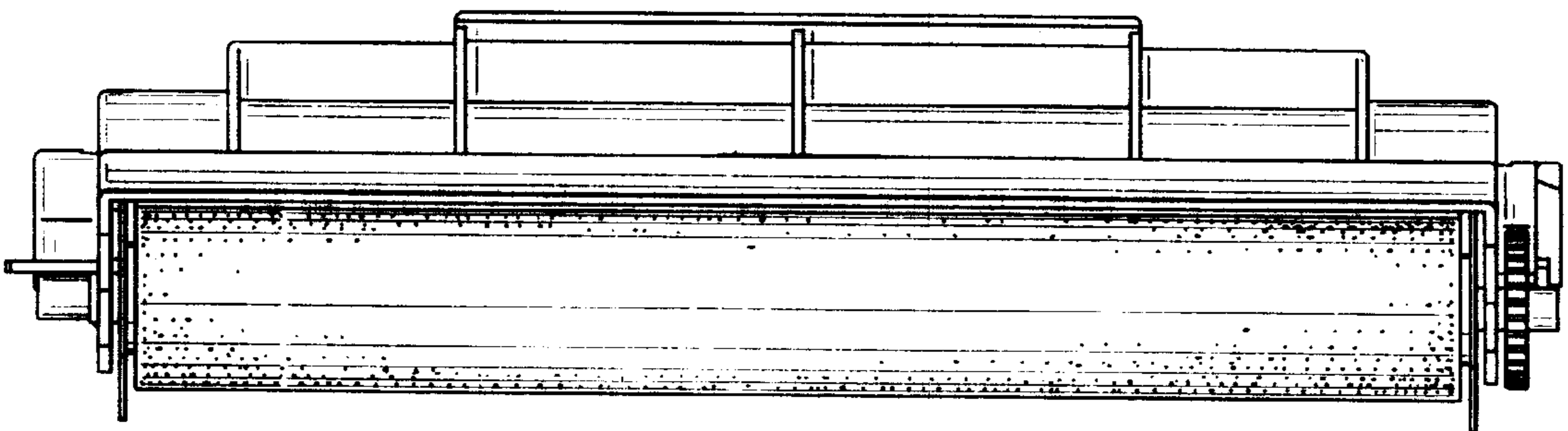


FIG. 7

