



US00D425544S

United States Patent [19]
Erpillo

[11] **Patent Number: Des. 425,544**

[45] **Date of Patent: ** May 23, 2000**

[54] **DECORATIVE CLIP FOR EYEGLASSES**

Primary Examiner—Raphael Barkai

[76] Inventor: **Christi Erpillo**, 7209 Lavendale Cir.,
Dallas, Tex. 75230

[57] **CLAIM**

[**] Term: **14 Years**

The ornamental design for a decorative clip for eyeglasses,
as shown and described.

[21] Appl. No.: **29/100,814**

DESCRIPTION

[22] Filed: **Feb. 18, 1999**

FIG. 1 is a front elevational view of the decorative clip for
eyeglasses of the present invention;

[51] **LOC (7) Cl.** **16-06**

FIG. 2 is a back elevational view of the decorative clip for
eyeglasses of FIG. 1;

[52] **U.S. Cl.** **D16/341; D11/40**

FIG. 3 is a left side elevational view of the decorative clip
for eyeglasses of FIG. 1;

[58] **Field of Search** D16/300, 306,
D16/309, 323, 324, 341, 342; D11/40, 43,
76; 351/41, 44, 51, 52, 112, 149, 156-158

FIG. 4 is a right side elevational view of the decorative clip
for eyeglasses of FIG. 1;

[56] **References Cited**

FIG. 5 is a top plan view of the decorative clip for eyeglasses
of FIG. 1; and,

U.S. PATENT DOCUMENTS

FIG. 6 is a bottom plan view of the decorative clip for
eyeglasses of FIG. 1.

D. 170,155	8/1953	Chiara	D16/341
D. 308,180	5/1990	Bulgari	D11/76
D. 370,023	5/1996	Torrey	D16/339
2,542,730	2/1951	Thronsen	D11/76
4,968,128	11/1990	Mendola	351/52
5,557,345	9/1996	Katzeyer et al.	351/52
5,583,584	12/1996	Friedman	351/52
5,654,787	8/1997	Barison	351/52
5,699,140	12/1997	Fuhrman	351/158
5,760,867	6/1998	Pernicka et al.	351/149

The broken lines showing of an eyeglass frame on FIG. 1 are
for illustrative purposes only and form no part of the claimed
design.

The broken lines showing of lettering in FIG. 1 are for
illustrative purposes only and form no part of the claimed
design.

1 Claim, 2 Drawing Sheets

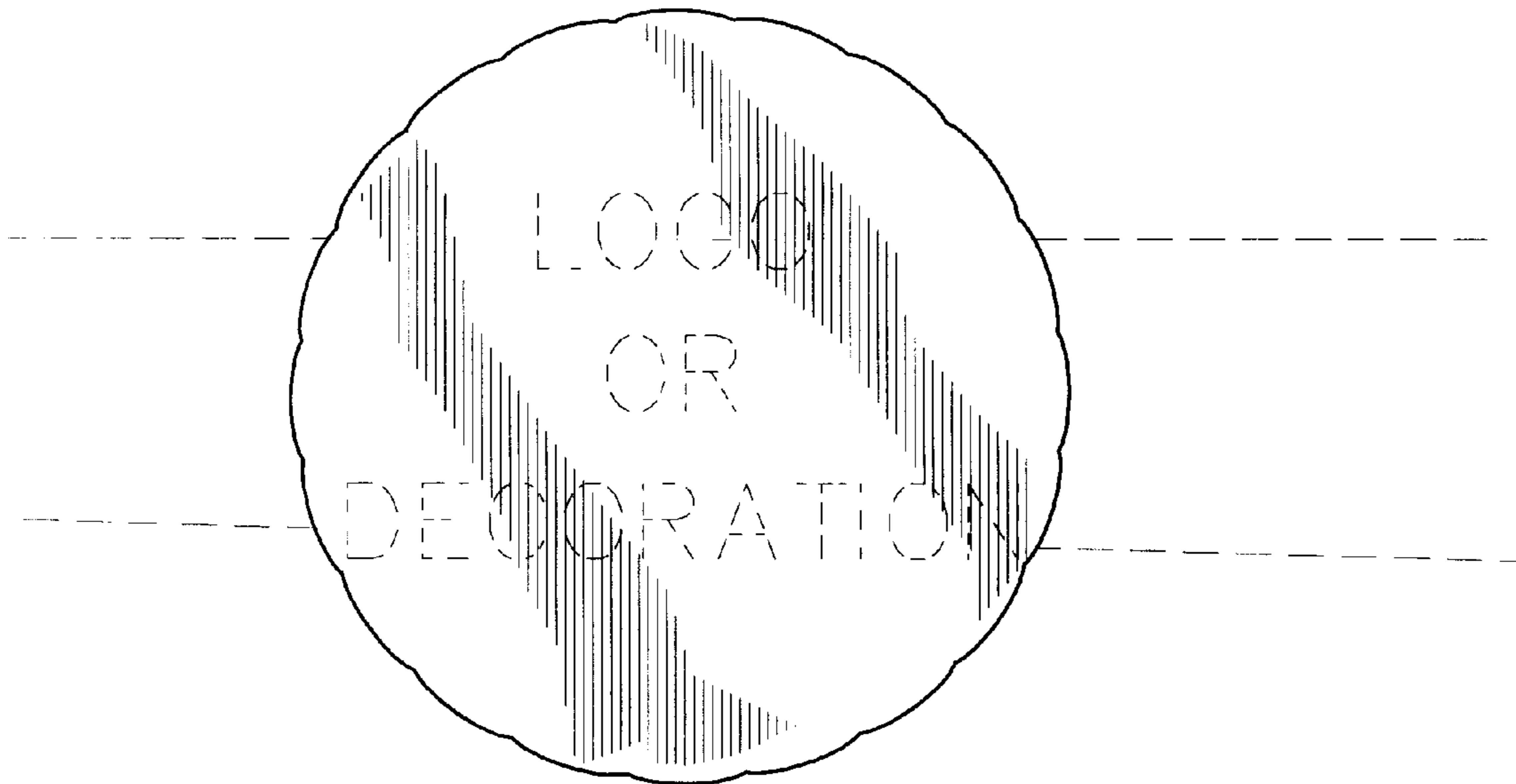


FIG. 1

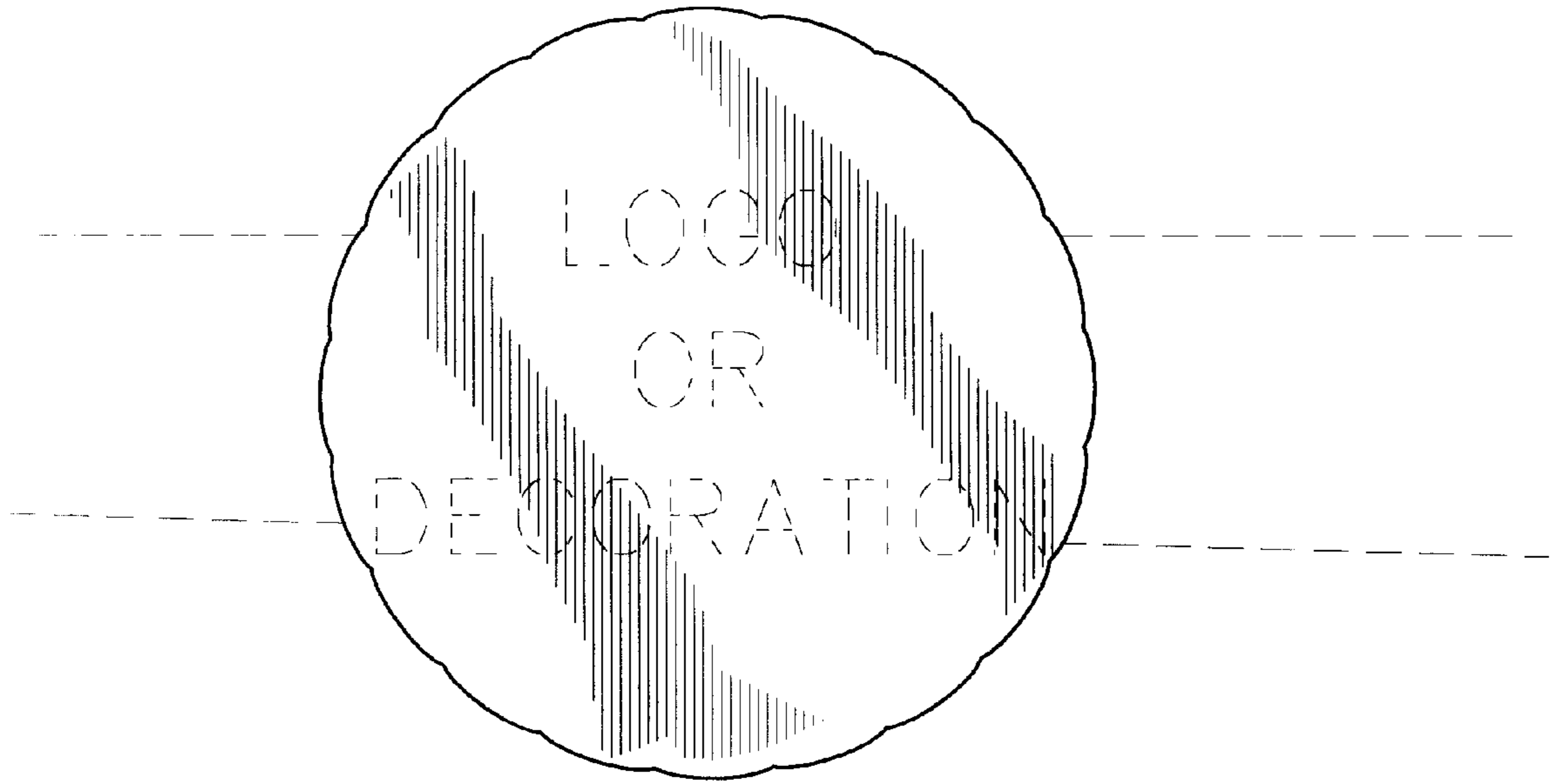


FIG. 2

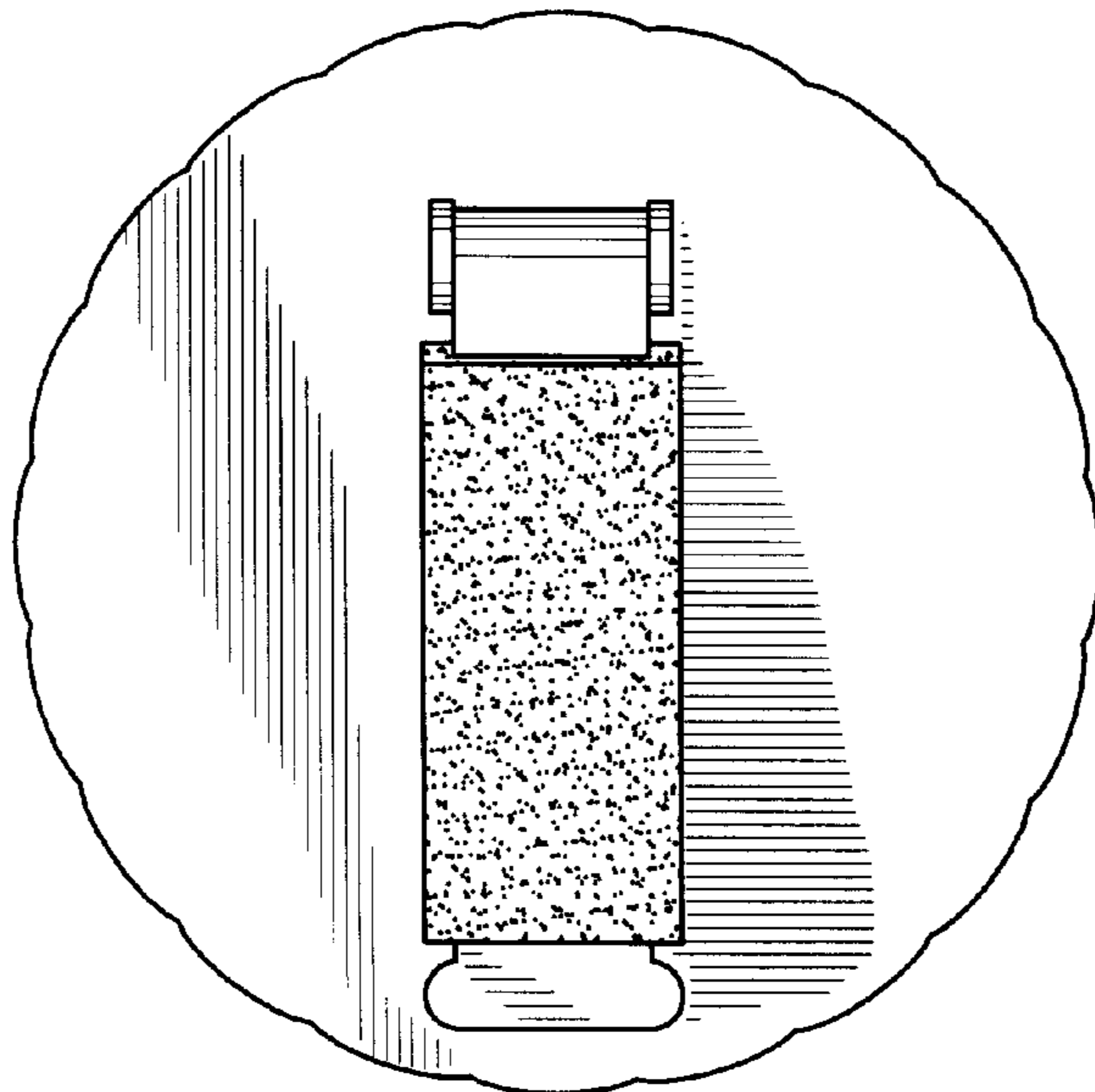


FIG. 3

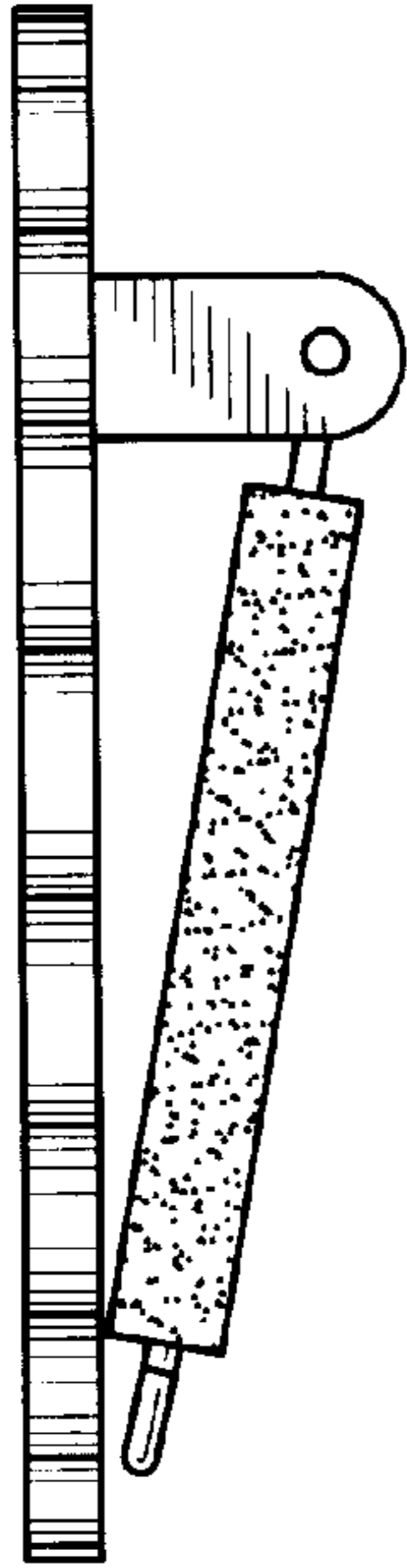


FIG. 4

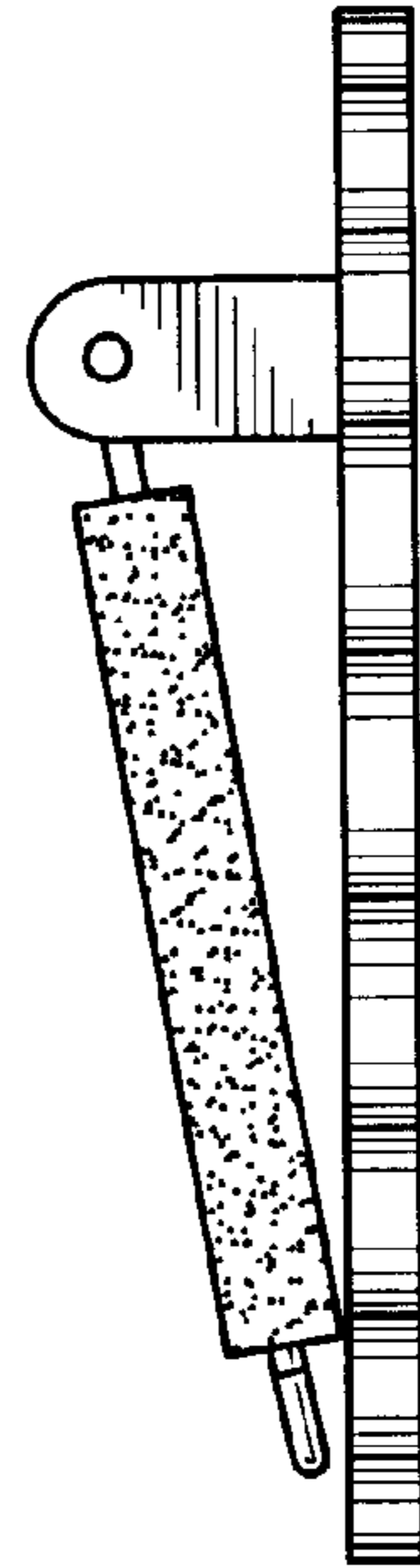


FIG. 5

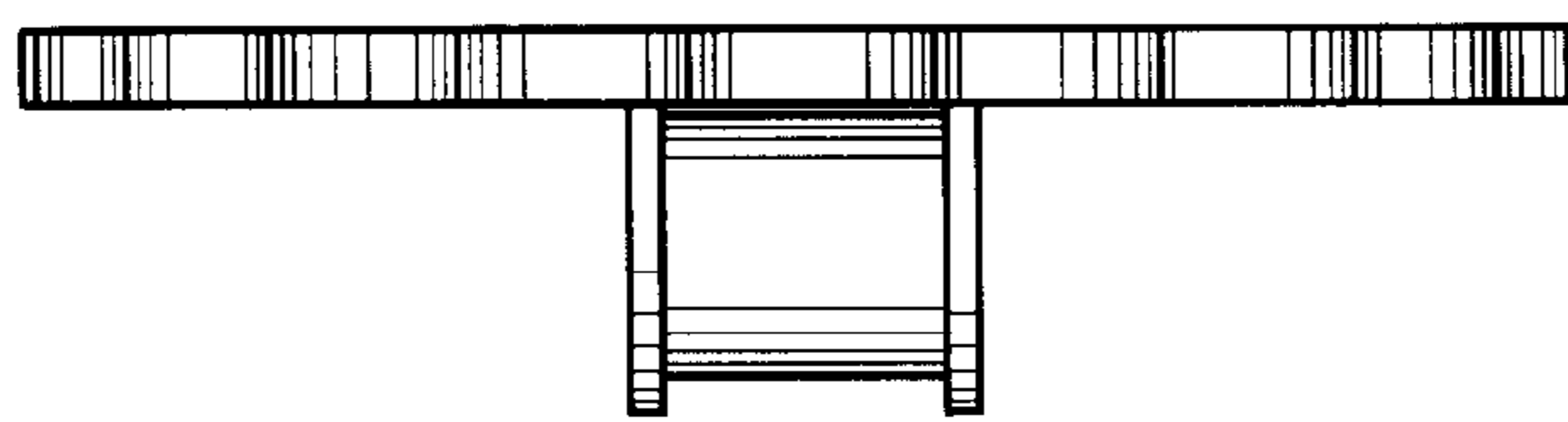


FIG. 6

