



US00D425540S

# United States Patent [19] Hubbell

[11] **Patent Number: Des. 425,540**

[45] **Date of Patent: \*\* May 23, 2000**

[54] **CAMERA REST FOR BOW HUNTING**

[76] Inventor: **Edwin H. Hubbell**, 3203 Rte. 9W,  
Saugerties, N.Y. 12477

[\*\*] Term: **14 Years**

[21] Appl. No.: **29/109,625**

[22] Filed: **Aug. 18, 1999**

[51] **LOC (7) Cl. .... 16-05**

[52] **U.S. Cl. .... D16/242; D22/107; D22/199;  
396/426**

[58] **Field of Search ..... D16/242, 243,  
D16/237; D22/107, 199; 124/23.1, 86, 88;  
224/916; 396/419, 420, 426, 428, 429**

[56] **References Cited**

**U.S. PATENT DOCUMENTS**

D. 346,845	5/1994	Sears .....	D22/107
D. 367,284	2/1996	Hoerter .....	D16/242
3,062,114	11/1962	Palos .	
4,296,625	10/1981	Broderick .....	124/23.1
4,473,177	9/1984	Parandes .....	224/908
4,640,258	2/1987	Penney et al. ....	124/88
4,643,159	2/1987	Ryan .....	124/88

4,890,128	12/1989	Kania .....	396/426
4,955,356	9/1990	Pike et al. ....	124/89
5,123,396	6/1992	Shepley et al. ....	124/88
5,273,022	12/1993	Leven .....	124/89
5,297,533	3/1994	Cook .....	124/88
5,611,324	3/1997	Kursinsky .....	124/86

*Primary Examiner*—Adir Aronovich  
*Attorney, Agent, or Firm*—Schmeiser, Olsen & Watts

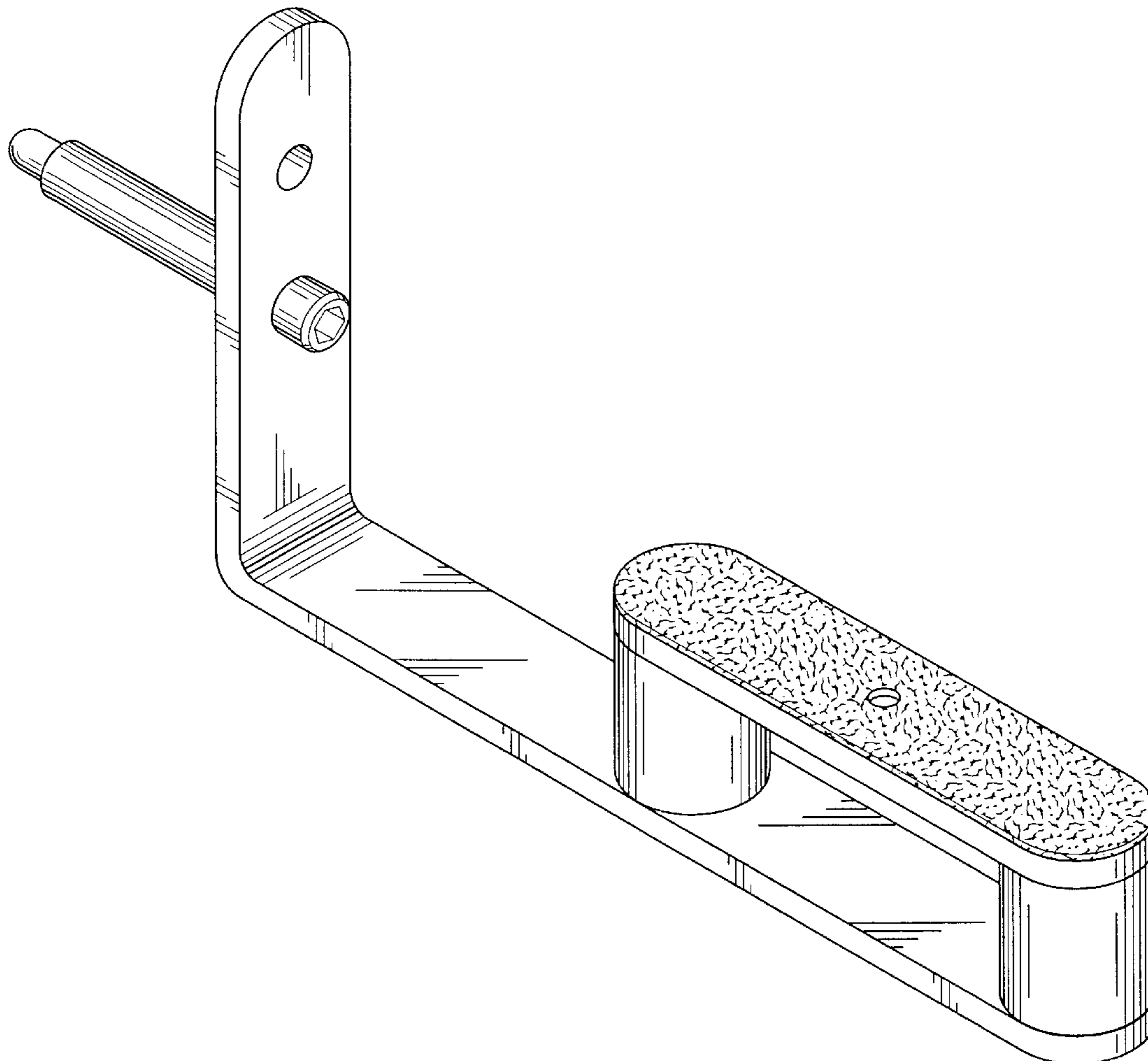
[57] **CLAIM**

The ornamental design for a camera rest for bow hunting, as shown and described.

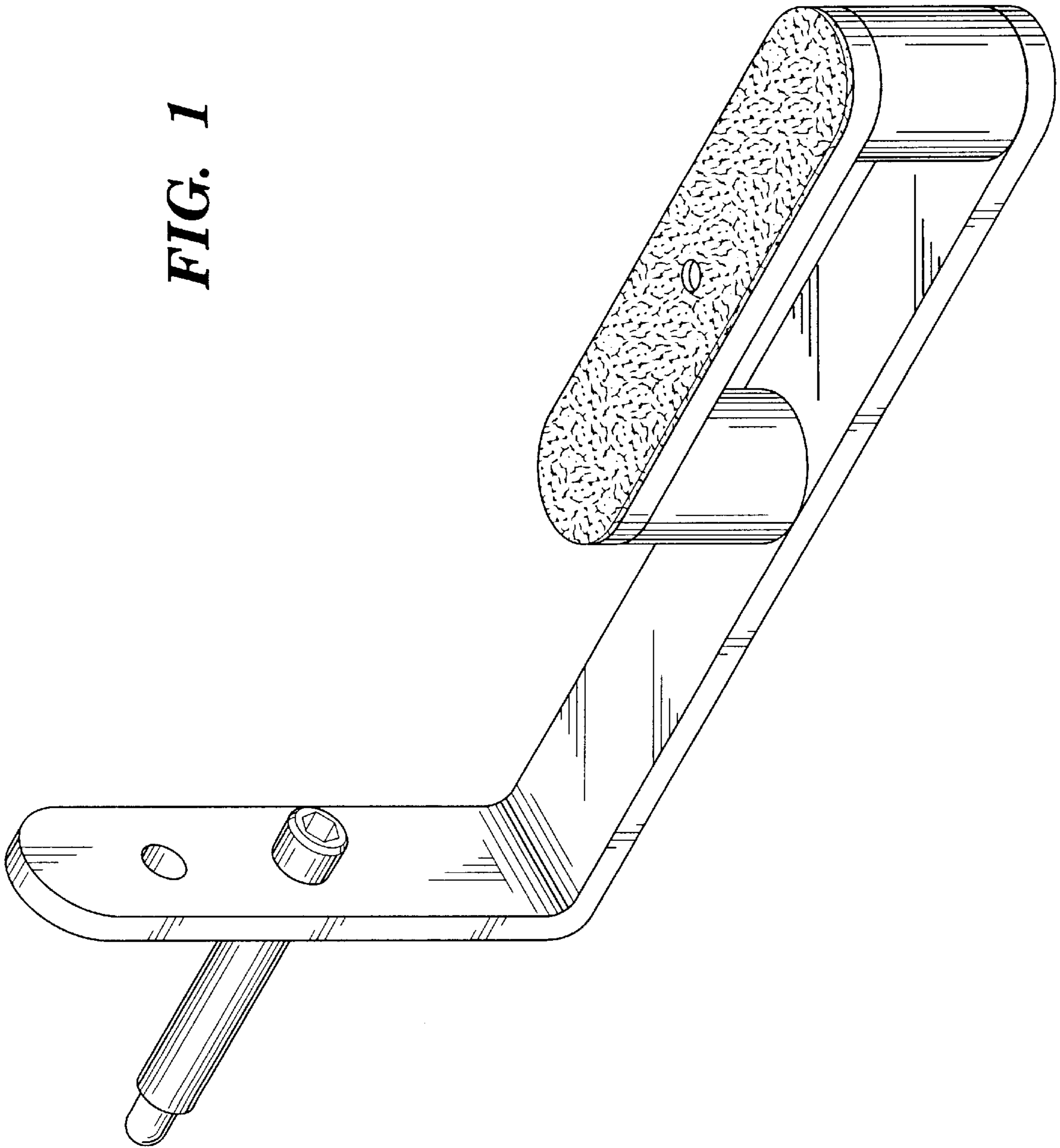
**DESCRIPTION**

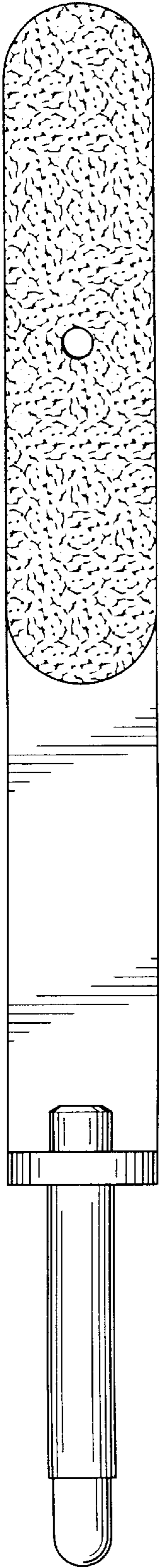
FIG. 1 is an isometric view of a camera rest for bow hunting showing my new design;  
FIG. 2 is a top plan view thereof;  
FIG. 3 is a front elevational view, the undisclosed rear view being a mirror image thereof.  
FIG. 4 is a right side view of the camera rest;  
FIG. 5 is a left side view of the camera rest; and,  
FIG. 6 is a bottom plan view of the camera rest.  
The broken line showing of a screw is for illustrative purposes only and forms no part of the claimed design.

**1 Claim, 3 Drawing Sheets**

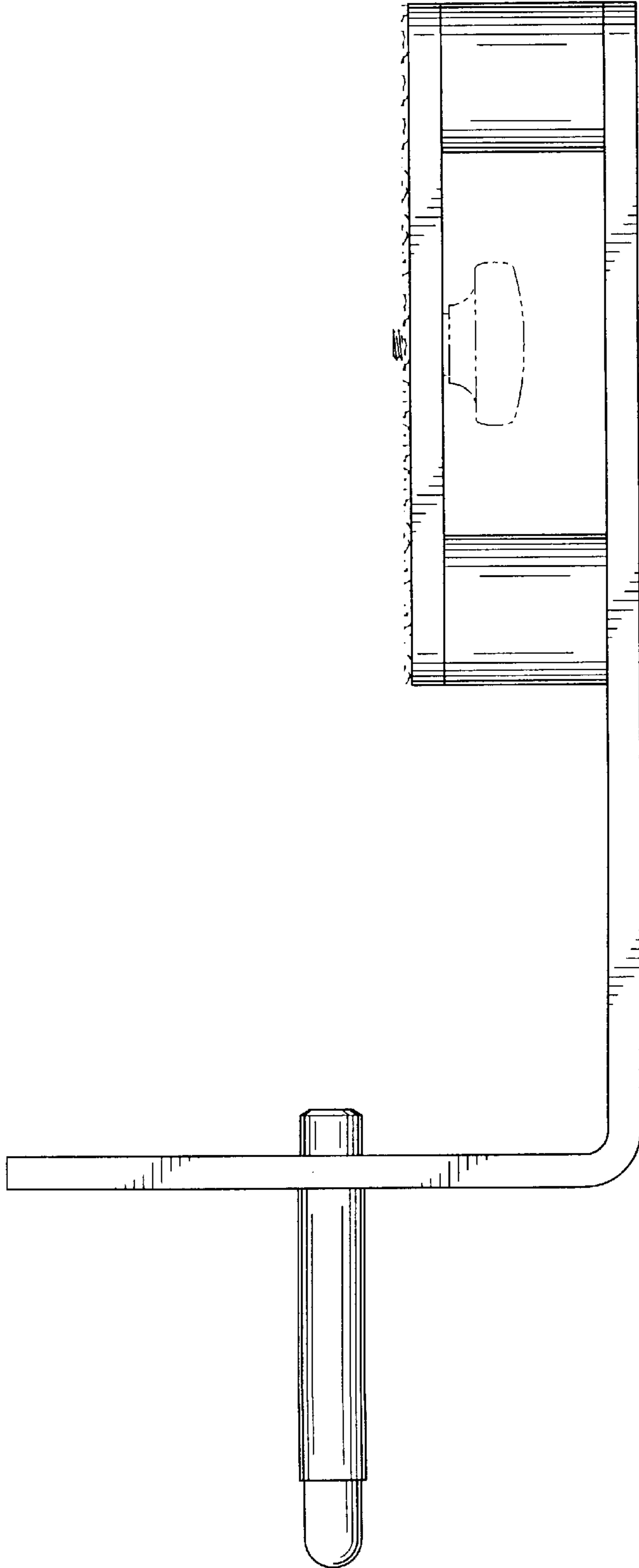


**FIG. 1**

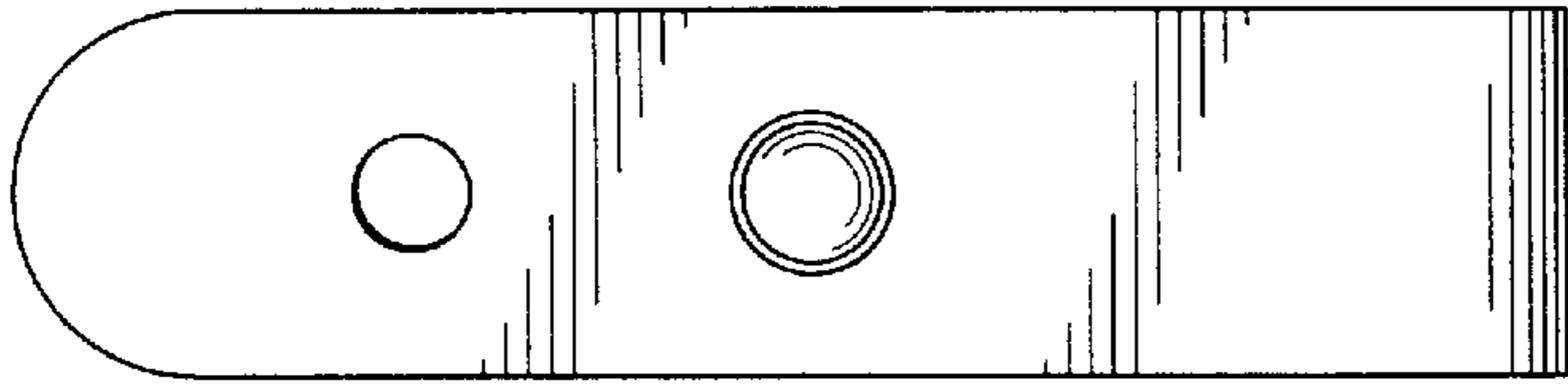




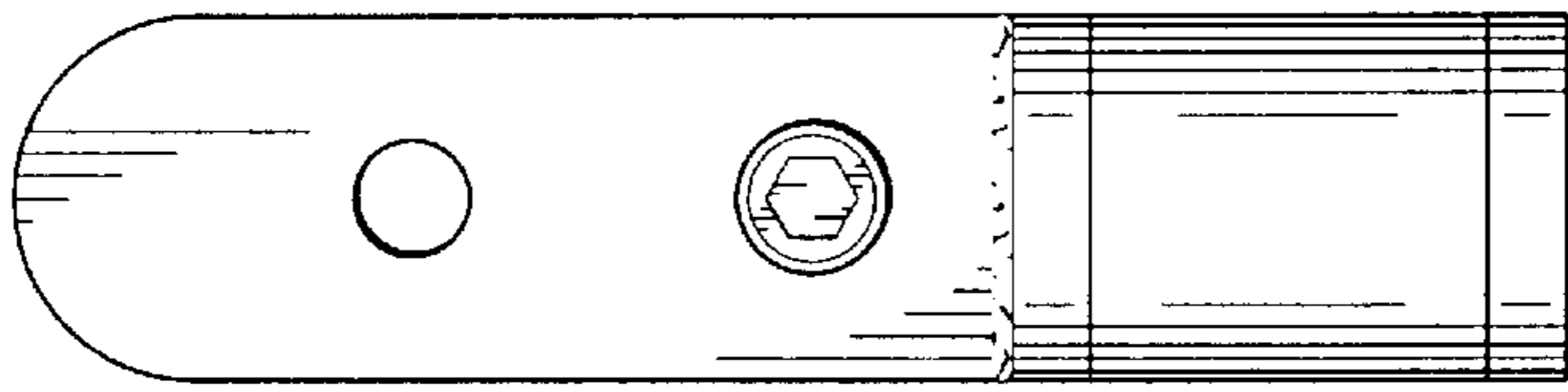
**FIG. 2**



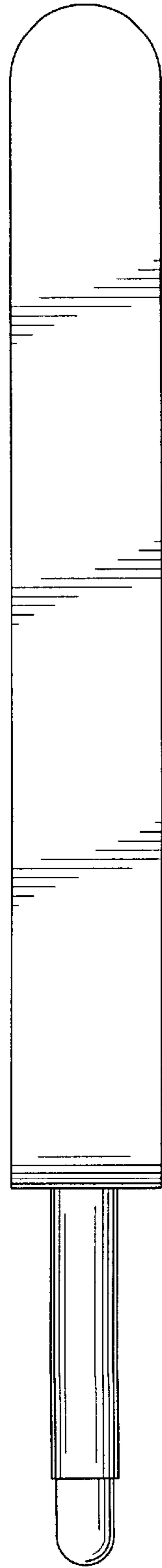
**FIG. 3**



**FIG. 5**



**FIG. 4**



**FIG. 6**