



US00D425537S

# United States Patent [19]

Lavy

[11] Patent Number: **Des. 425,537**

[45] Date of Patent: **\*\* May 23, 2000**

[54] **ADVERTISEMENT SIGN PROJECTING DEVICE**

[76] Inventor: **Danny Lavy**, 555 Chabanel Street West, Suite 700, Montreal, Quebec, Canada, H2N 2J2

[\*\*] Term: **14 Years**

[21] Appl. No.: **29/106,291**

[22] Filed: **Jun. 14, 1999**

[51] **LOC (7) Cl.** ..... **16-02**

[52] **U.S. Cl.** ..... **D16/221; D20/99; 40/560**

[58] **Field of Search** ..... D16/221, 225, D16/203, 204, 208; D20/10, 19, 99; 40/560; 353/119, 122; 359/443

[56] **References Cited**

**U.S. PATENT DOCUMENTS**

D. 43,644	2/1913	Roffy	.....	D16/221
D. 43,645	2/1913	Roffy	.....	D16/221
D. 216,839	3/1970	Rhoades	.....	D16/221
D. 411,217	6/1999	McBride	.....	D16/204

3,020,798 2/1962 Chrisman ..... 40/560

*Primary Examiner*—Adir Aronovich  
*Attorney, Agent, or Firm*—Raymond Y. Chan; David and Raymond

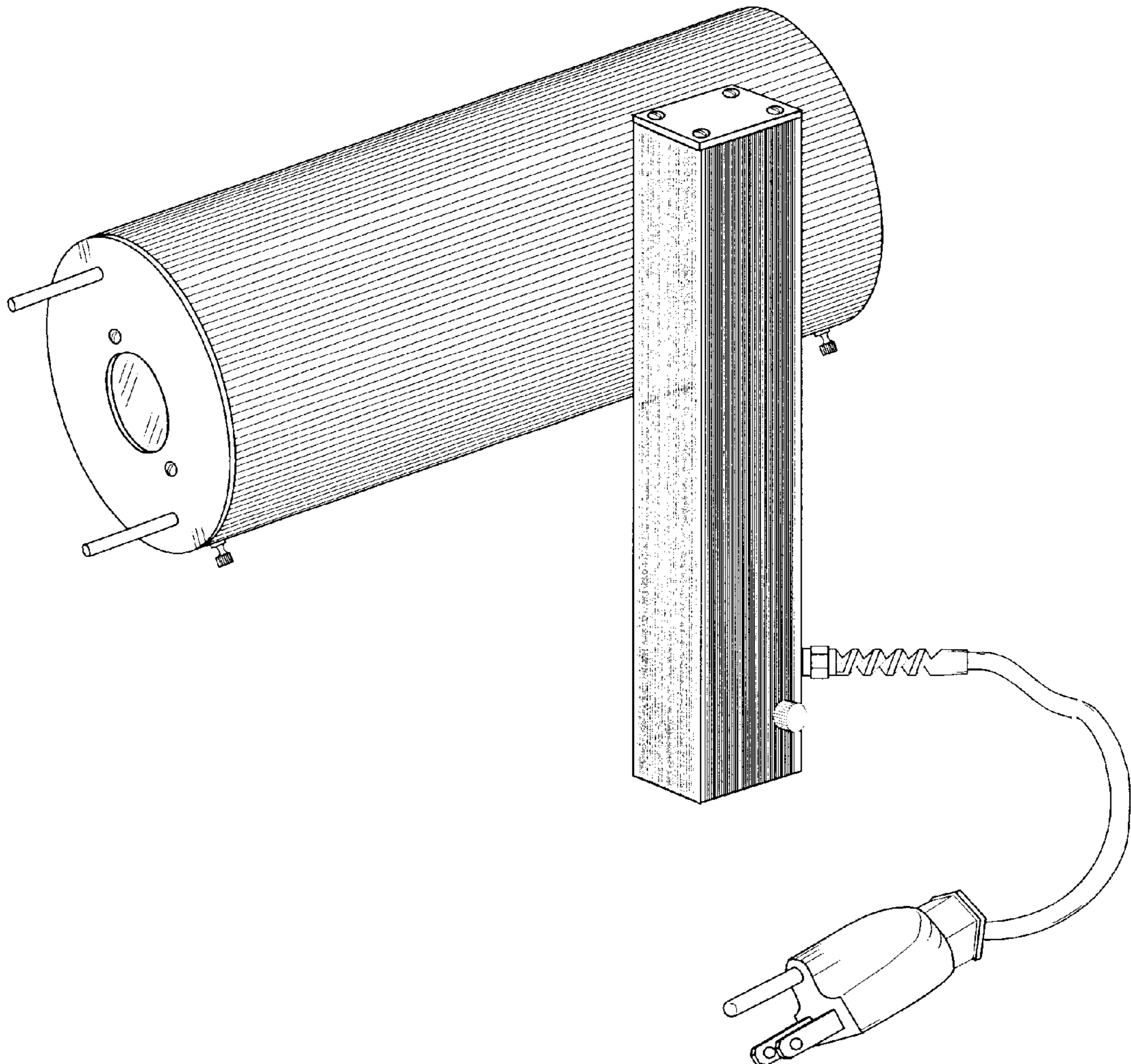
[57] **CLAIM**

The ornamental design for an advertisement sign projecting device, as shown and described.

**DESCRIPTION**

FIG. 1 is a perspective view of an advertisement sign projecting device showing my new design.  
FIG. 2 is a front view thereof.  
FIG. 3 is a rear view thereof.  
FIG. 4 is a left end view thereof.  
FIG. 5 is a right end view thereof.  
FIG. 6 is a top view thereof.  
FIG. 7 is a bottom view thereof; and,  
FIG. 8 is another perspective view thereof, illustrating the rotatable projector turned upwards with respect to the vertical stand.

**1 Claim, 8 Drawing Sheets**



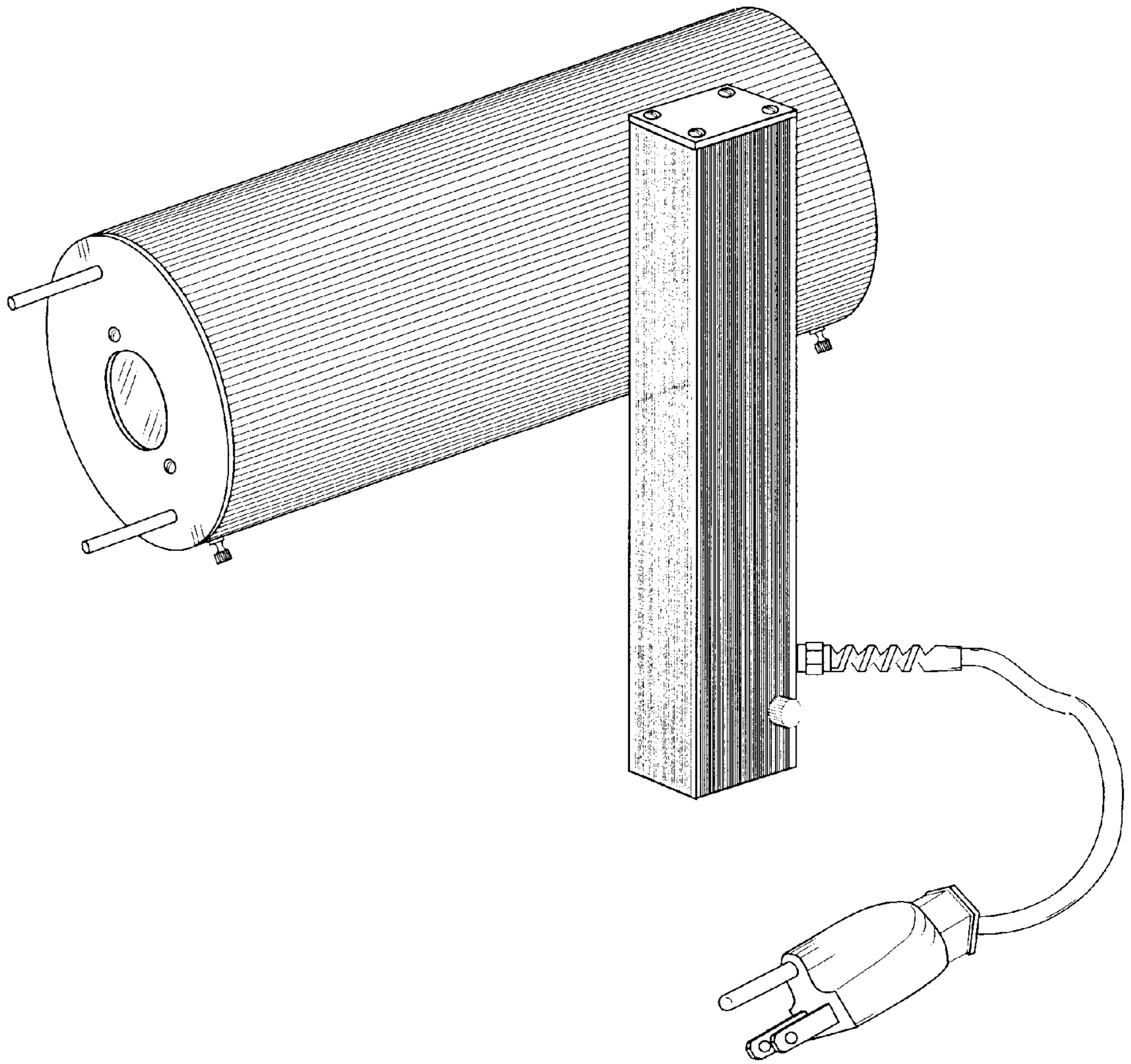


FIG 1

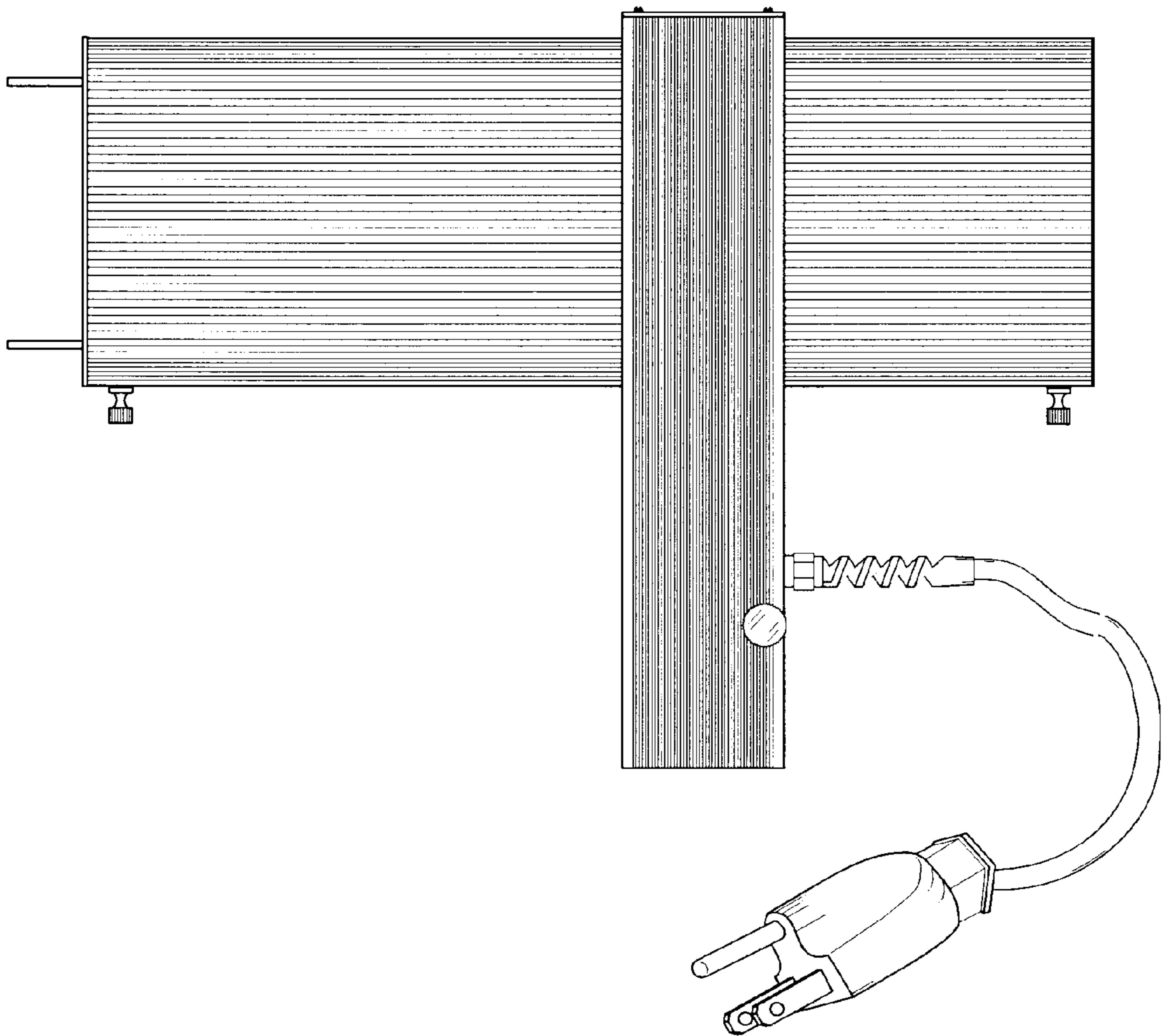


FIG 2

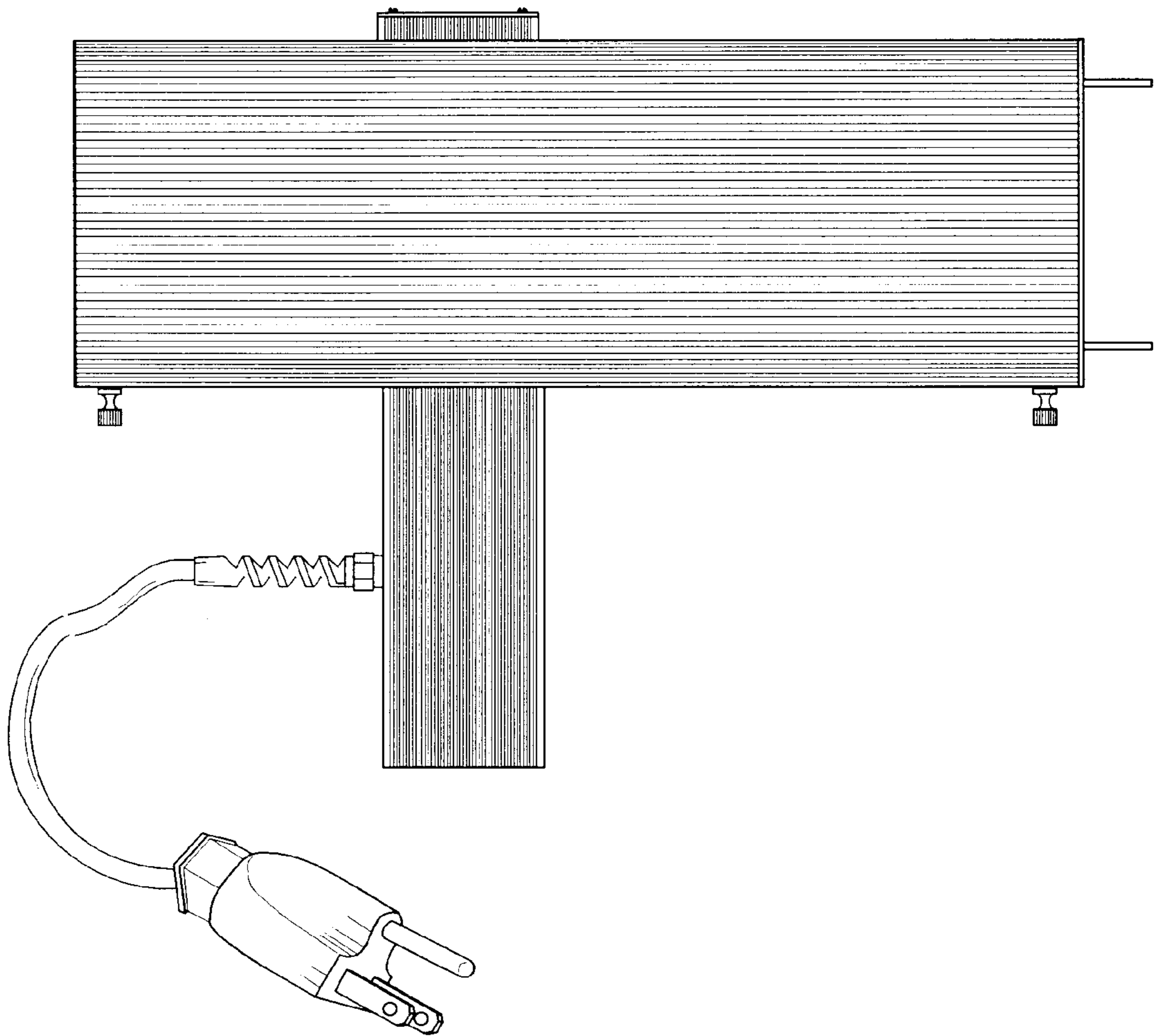


FIG 3

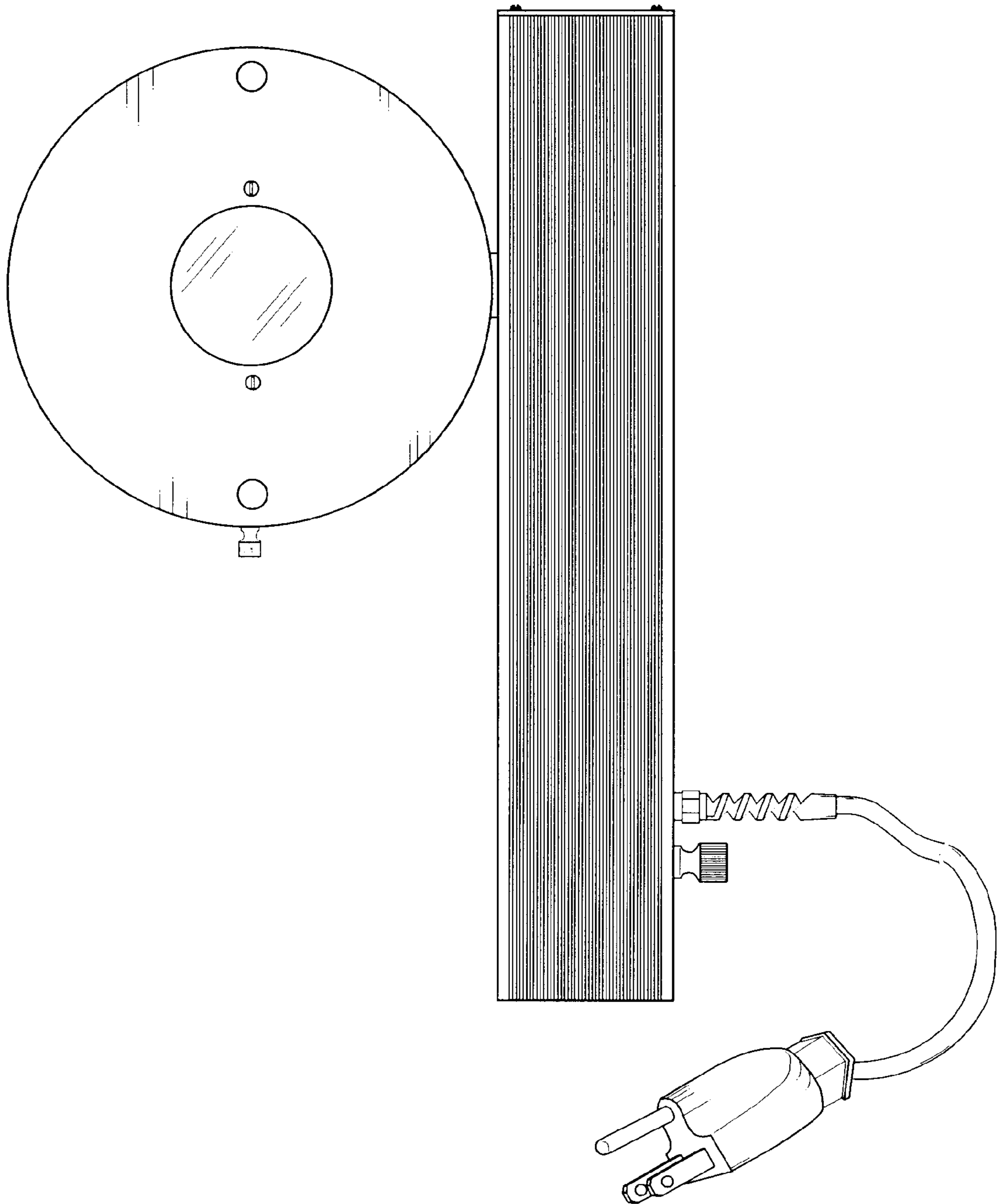


FIG 4

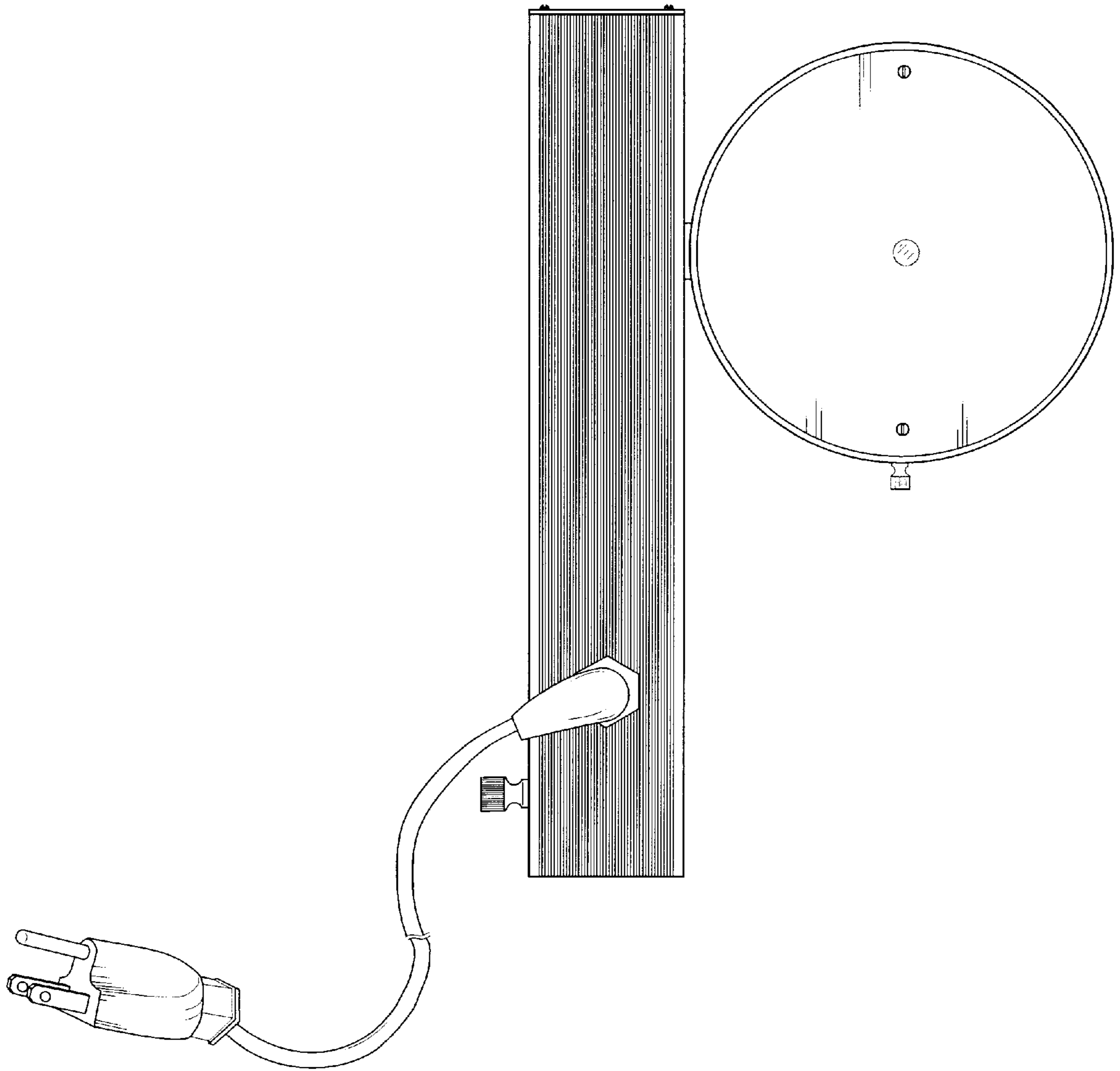


FIG 5

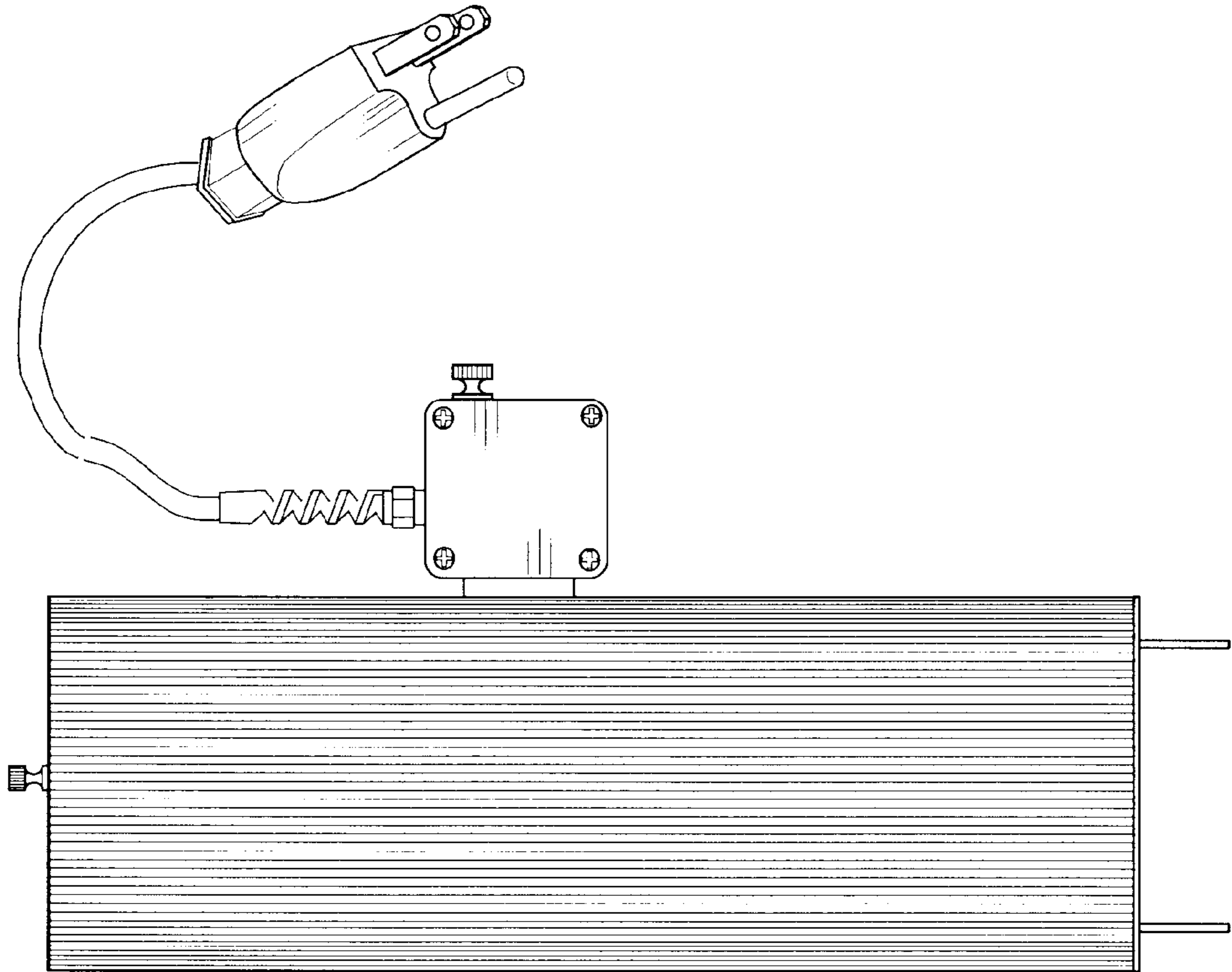


FIG 6

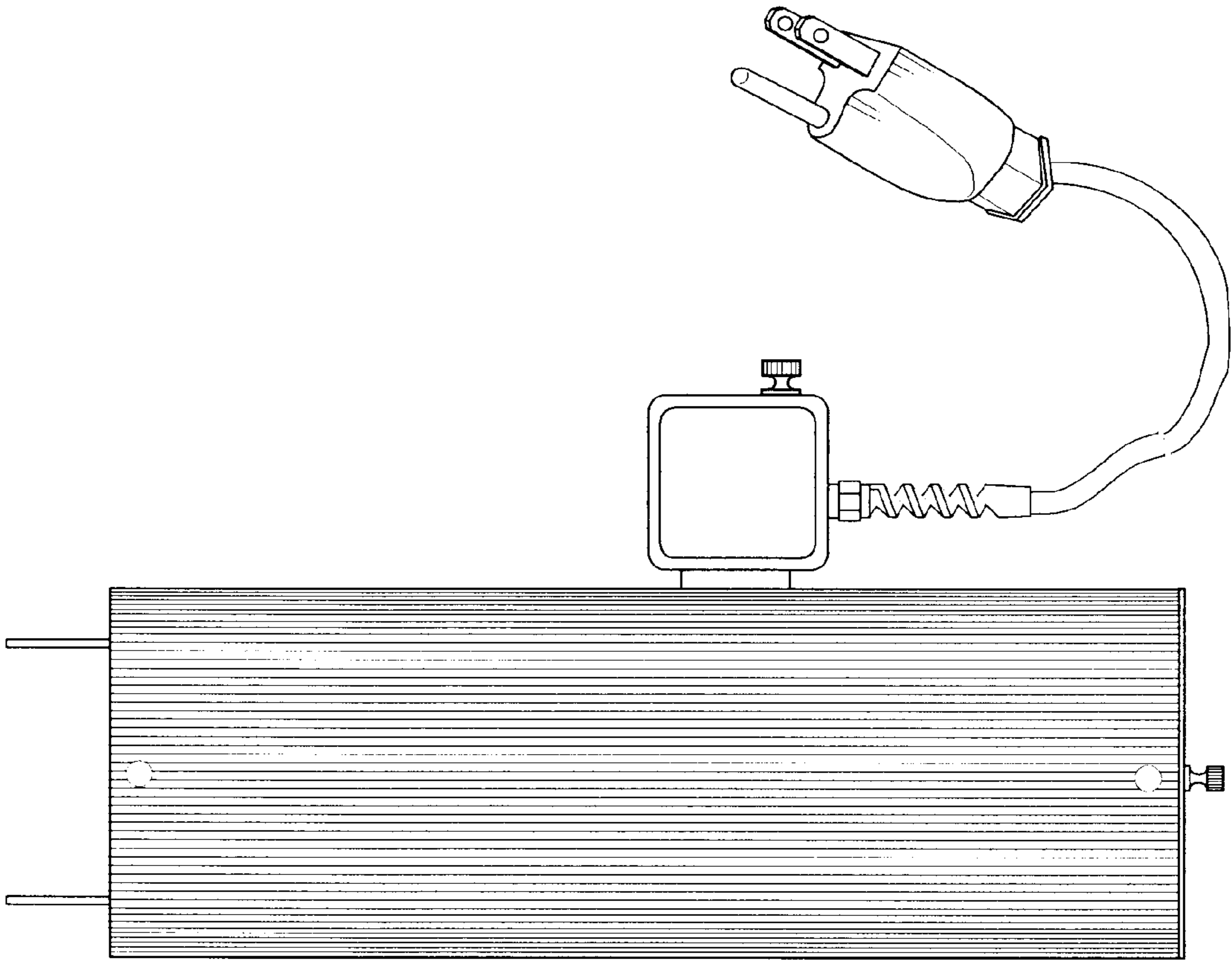


FIG 7



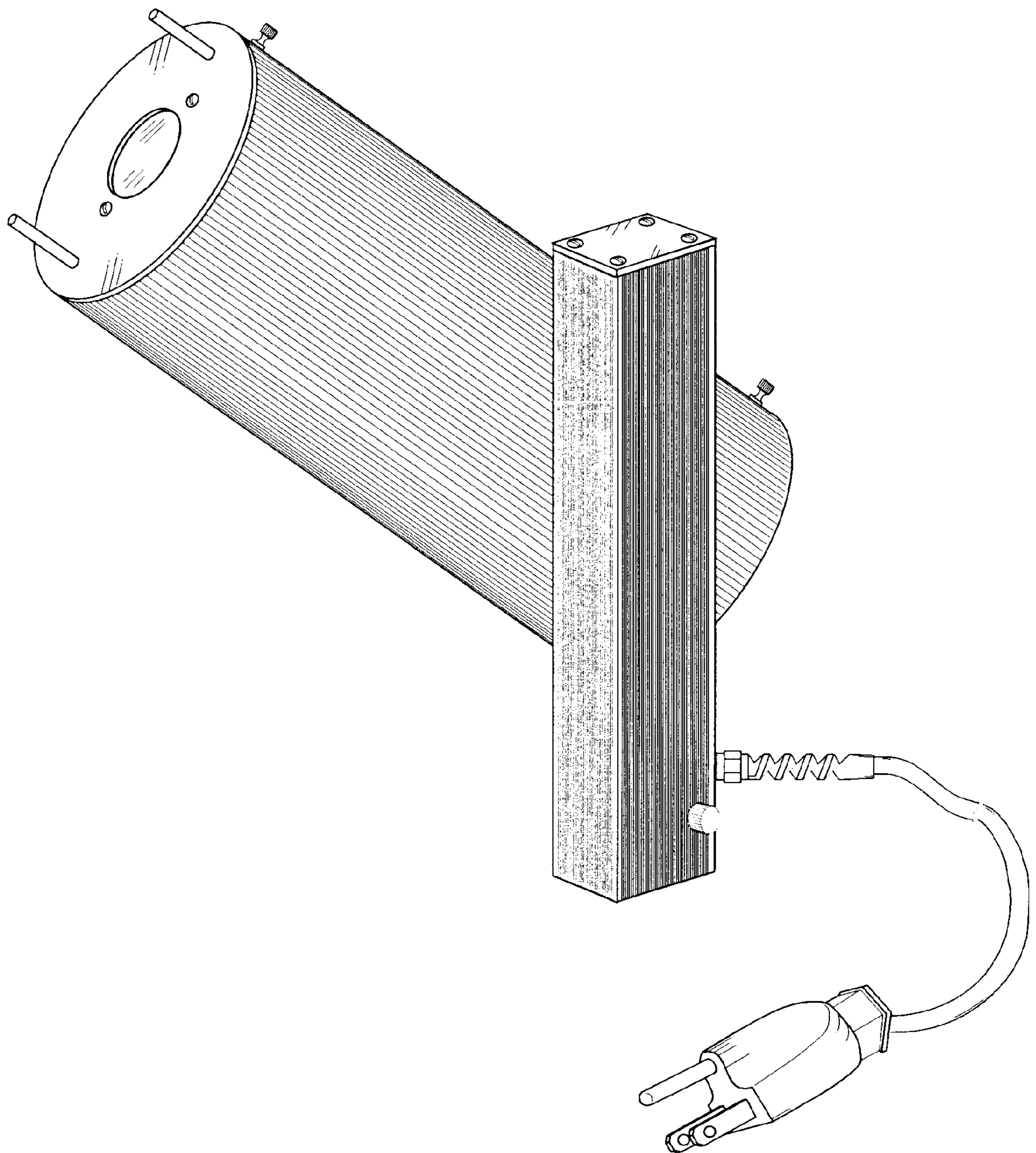


FIG 8