



US00D425530S

United States Patent [19] Lafitte

[11] Patent Number: **Des. 425,530**

[45] Date of Patent: **** May 23, 2000**

[54] **APPARATUS FOR MELTING AND DISPENSING THERMOPLASTIC MATERIAL**

[75] Inventor: **Bruce A. Lafitte**, Atlanta, Ga.

[73] Assignee: **Nordson Corporation**, Westlake, Ohio

[**] Term: **14 Years**

[21] Appl. No.: **29/093,362**

[22] Filed: **Sep. 9, 1998**

[51] **LOC (7) Cl.** **15-09**

[52] **U.S. Cl.** **D15/144**

[58] **Field of Search** D15/144, 144.2,
D15/144.3; 222/146.5; 219/687, 730, 759,
762

[56] **References Cited**

U.S. PATENT DOCUMENTS

- D. 270,353 8/1983 Lewellen .
- D. 276,617 12/1984 Scholl et al. .
- D. 360,422 7/1995 Frates et al. D15/144
- 4,456,151 6/1984 Lewellen 222/146.5

OTHER PUBLICATIONS

NCG Hotmelt Equipment; Airprint Systems, Inc.; (brochure).
 The Valco Hot Melt System; Valco Cincinnati; (brochure).
 AquaGuard™ Systems; Nordson Corporation; Issued Nov. 1992 (brochure).

1996 Adhesives and Sealants Equipment Catalog; Nordson Corporation; pp. 1-1 to 1-84; 2-i to 2-9; 5-1-5-16; and 13-20.

Primary Examiner—Antoine Duval Davis
Attorney, Agent, or Firm—Raymond J. Slattery, III

[57] **CLAIM**

The ornamental design for an apparatus for melting and dispensing thermoplastic material, as shown and described.

DESCRIPTION

FIG. 1 is a perspective front view of the apparatus for melting and dispensing thermoplastic material showing my new design;

FIG. 2 is a top plan view thereof;

FIG. 3 is a front elevational view thereof;

FIG. 4 is a right side elevational view thereof;

FIG. 5 is a left side elevational view thereof;

FIG. 6 is a rear elevational view thereof;

FIG. 7 is a perspective view of an apparatus for melting and dispensing thermoplastic material showing a second embodiment of my new design;

FIG. 8 is a top plan view thereof;

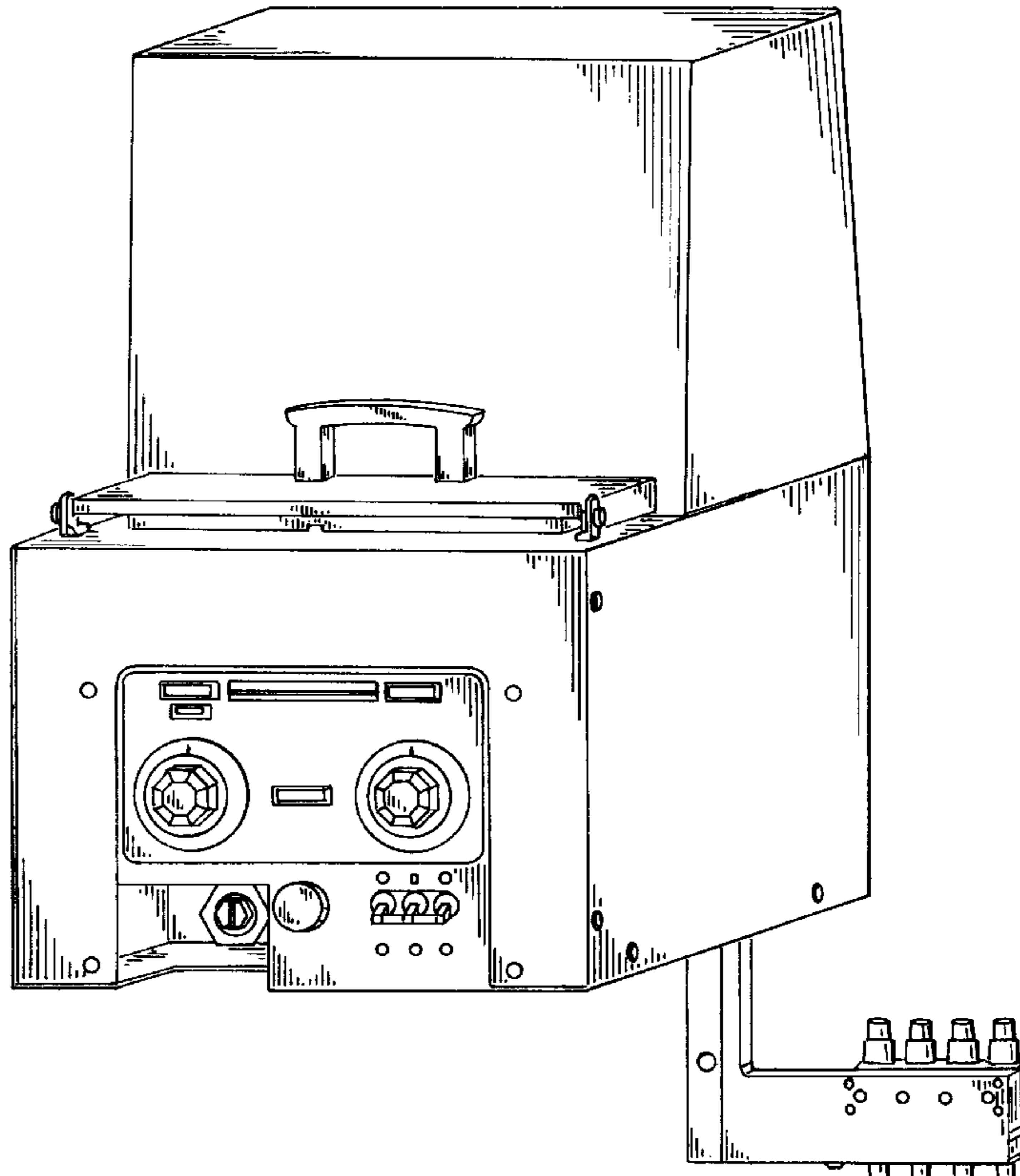
FIG. 9 is a front elevational view thereof;

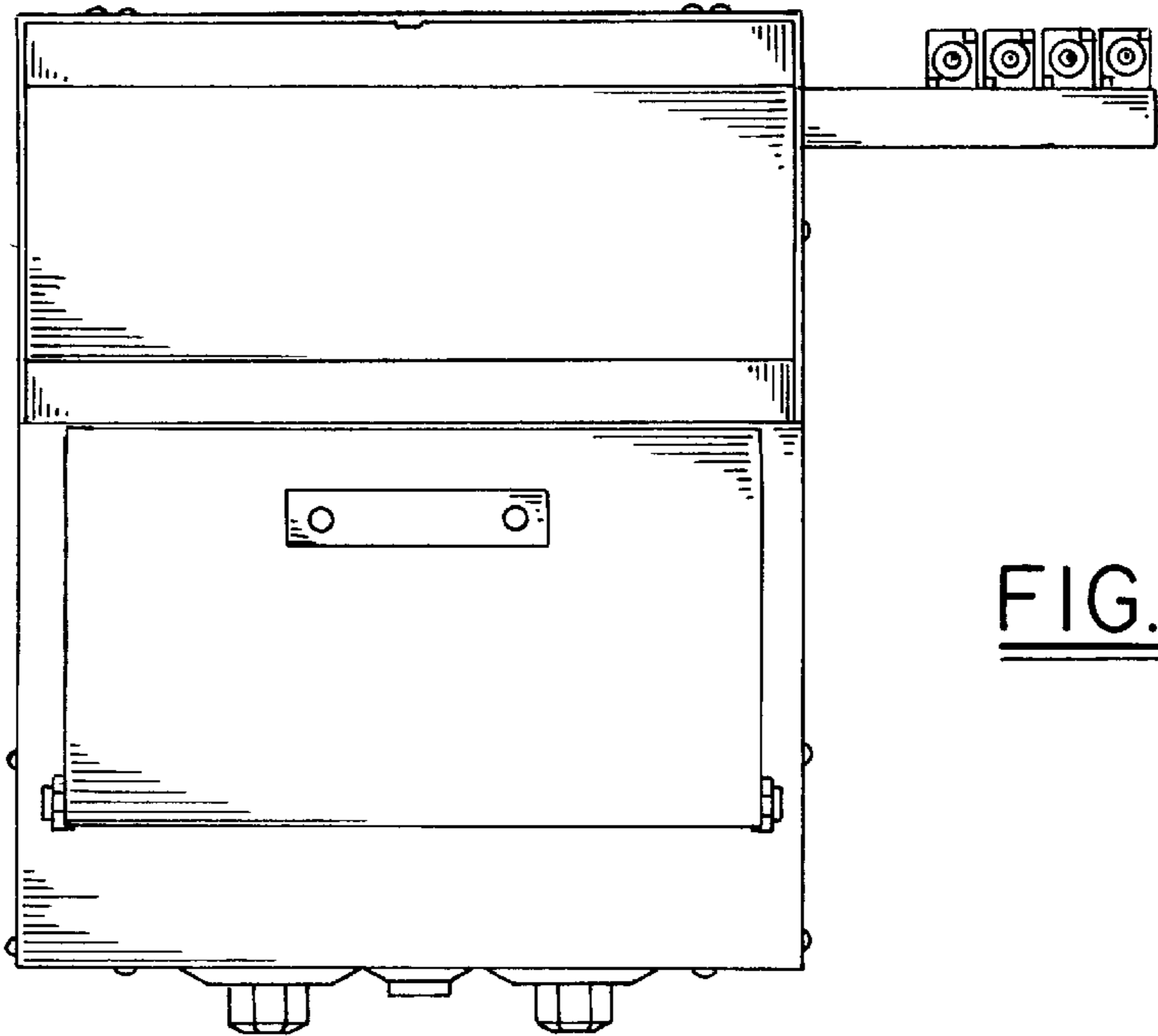
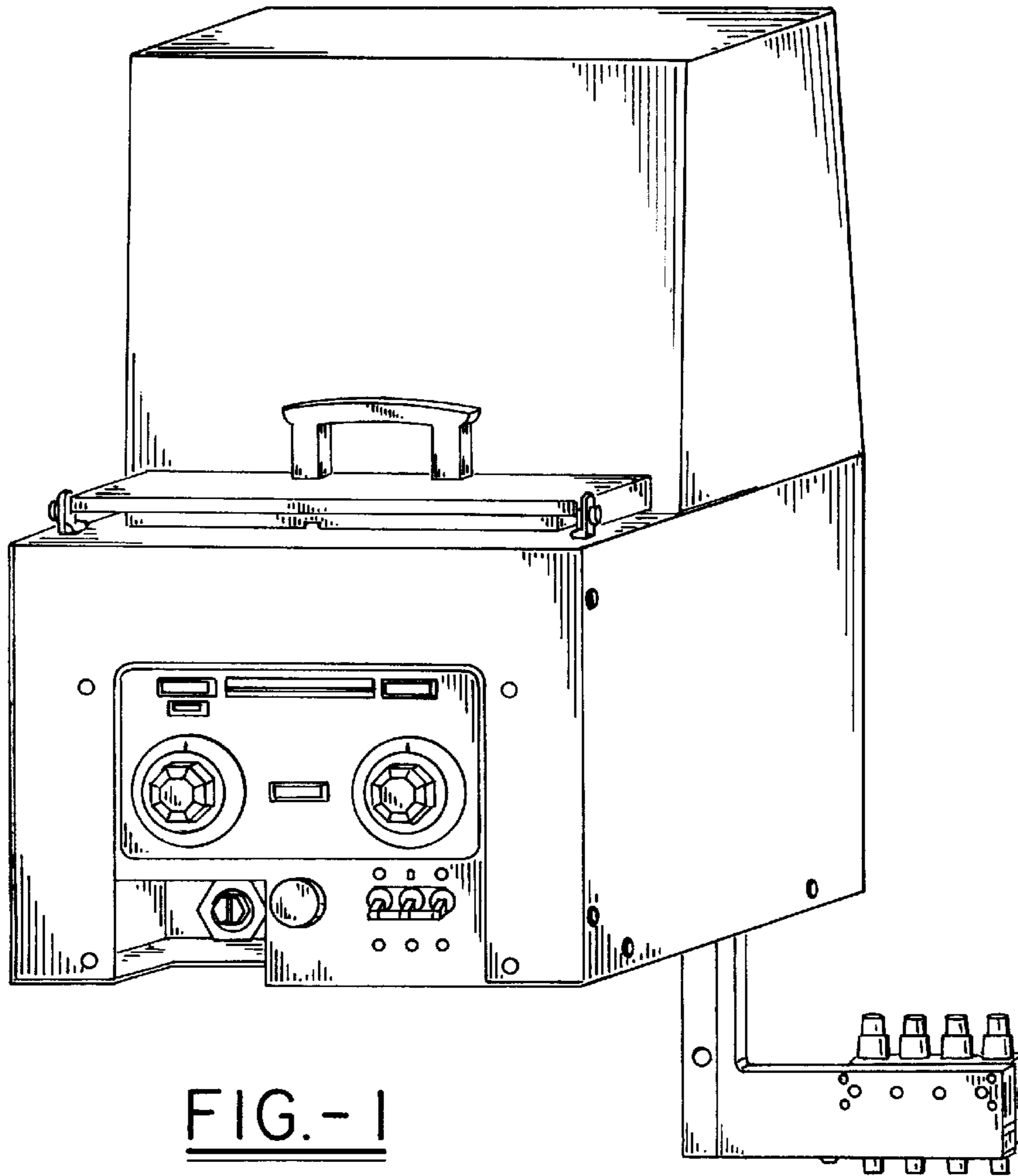
FIG. 10 is a left side elevational view thereof;

FIG. 11 is a right side elevational view thereof; and,

FIG. 12 is a rear elevational view thereof.

1 Claim, 6 Drawing Sheets





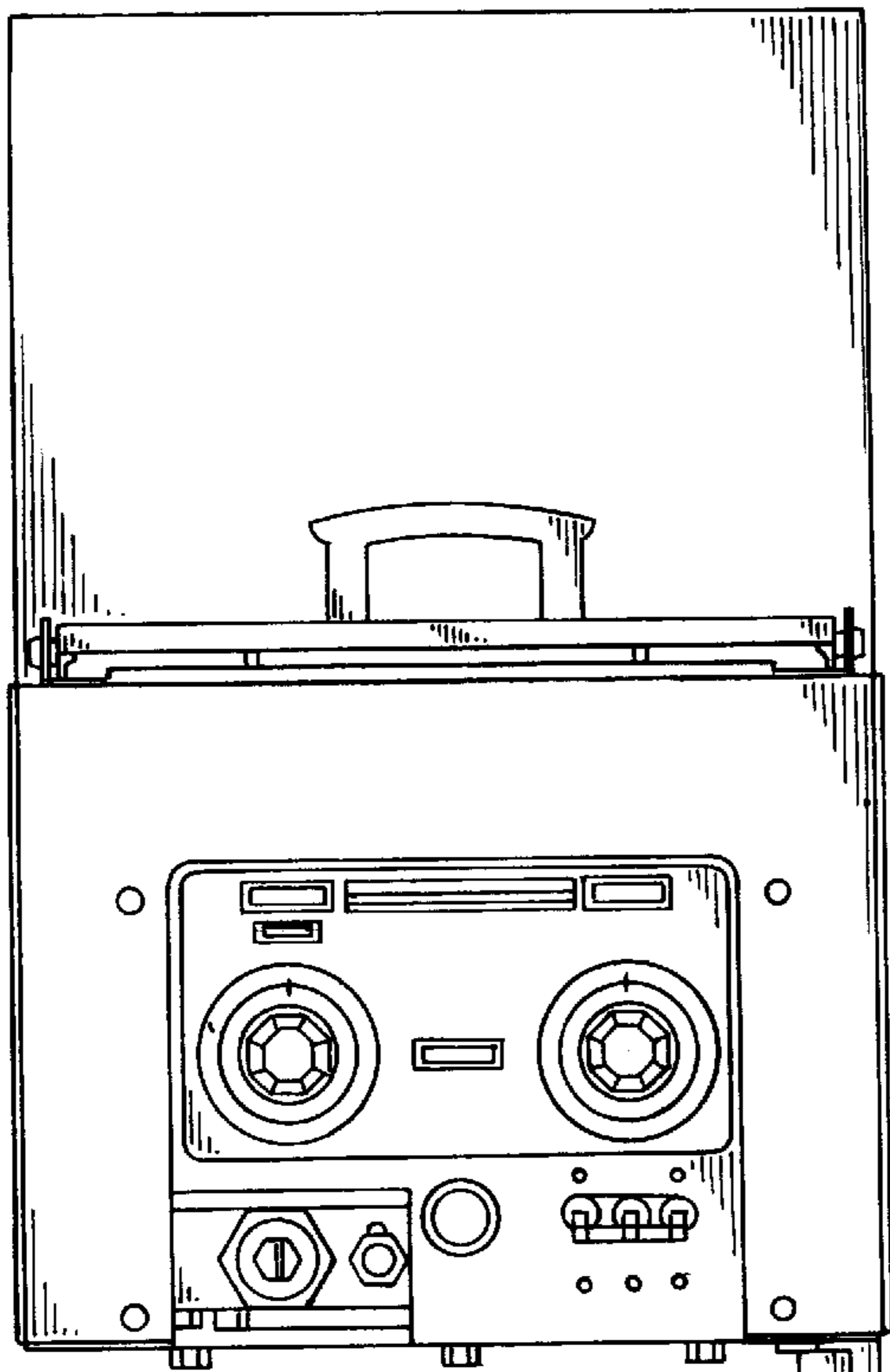


FIG.-3

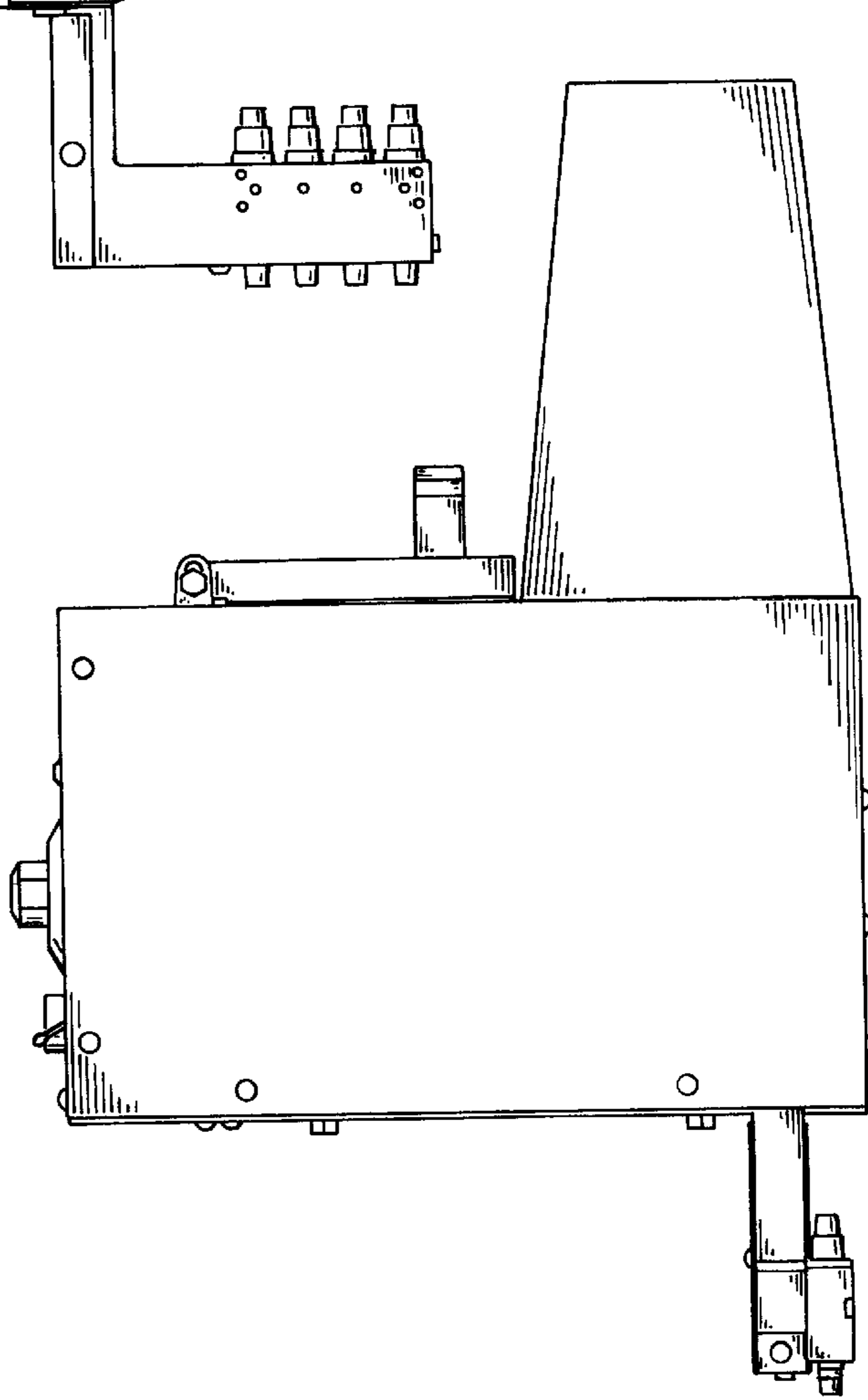


FIG.-4

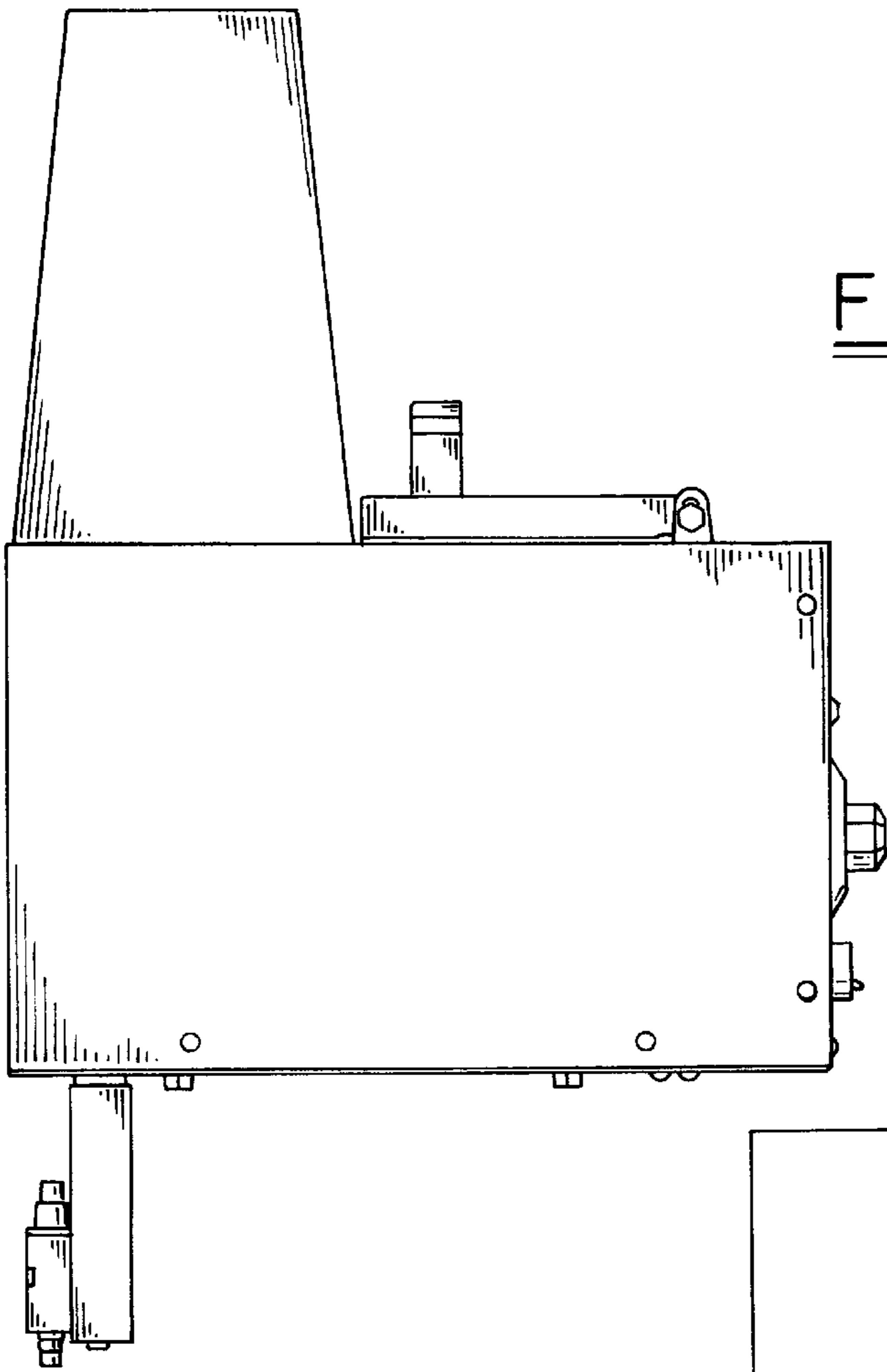
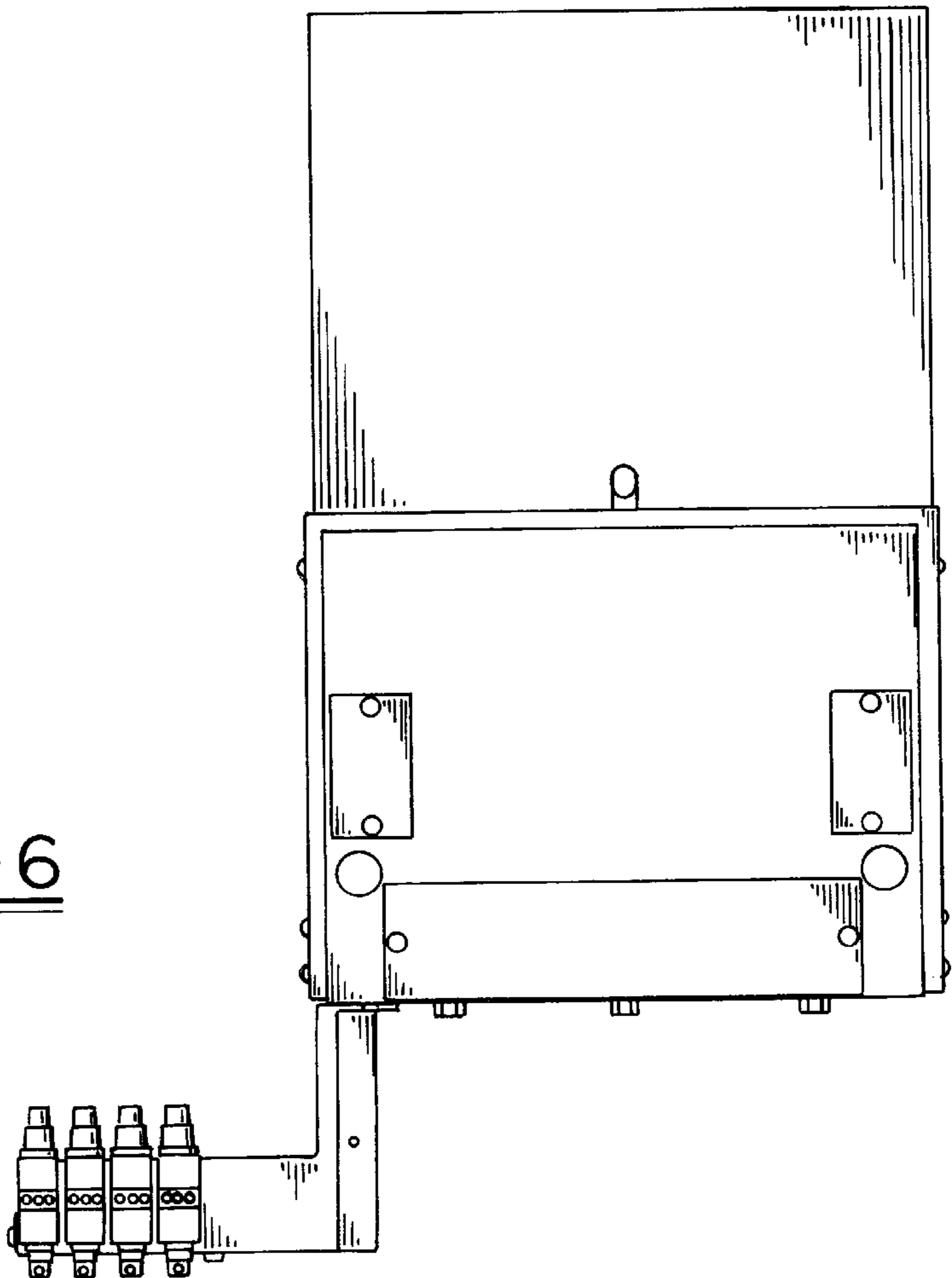


FIG. - 5

FIG. - 6



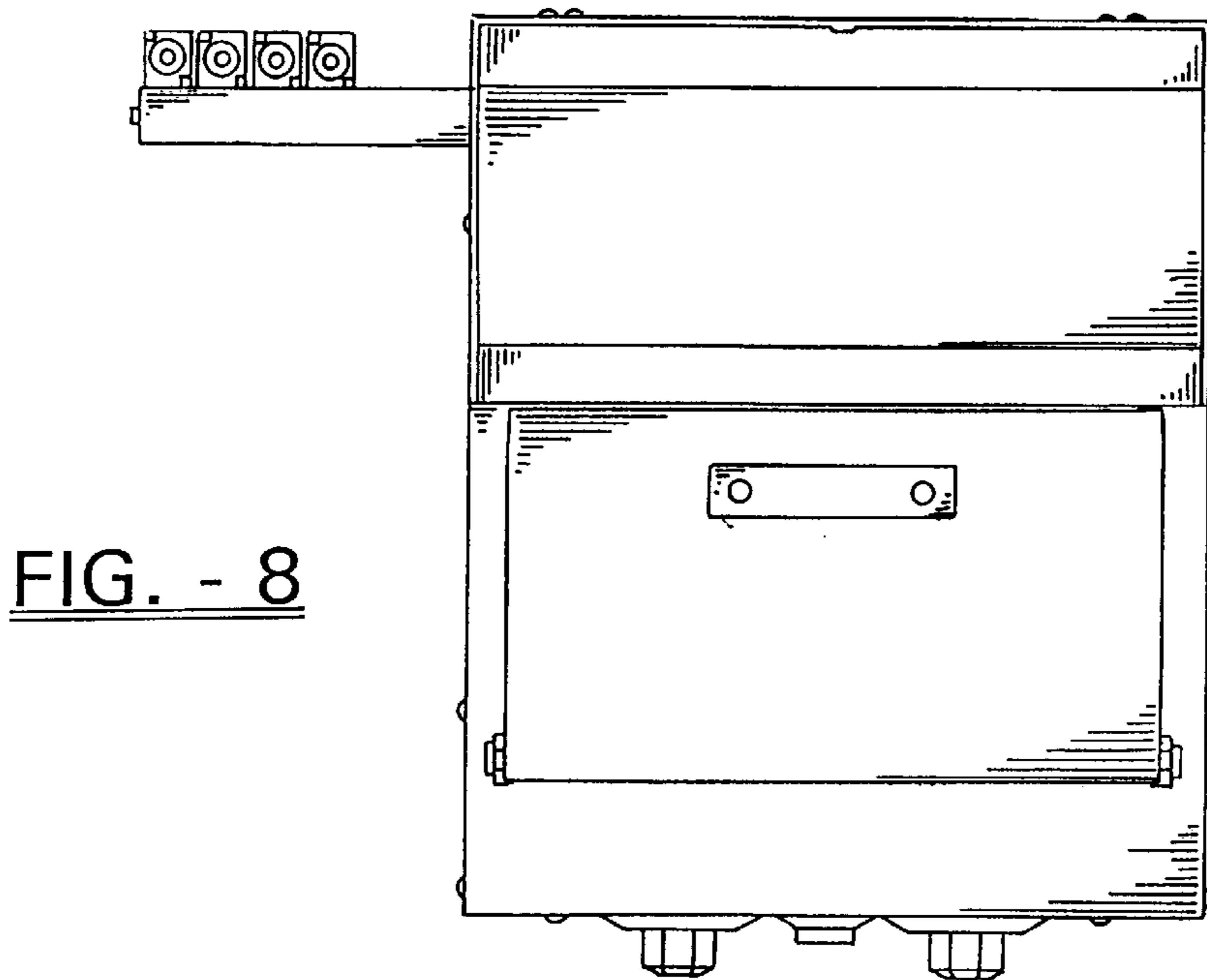
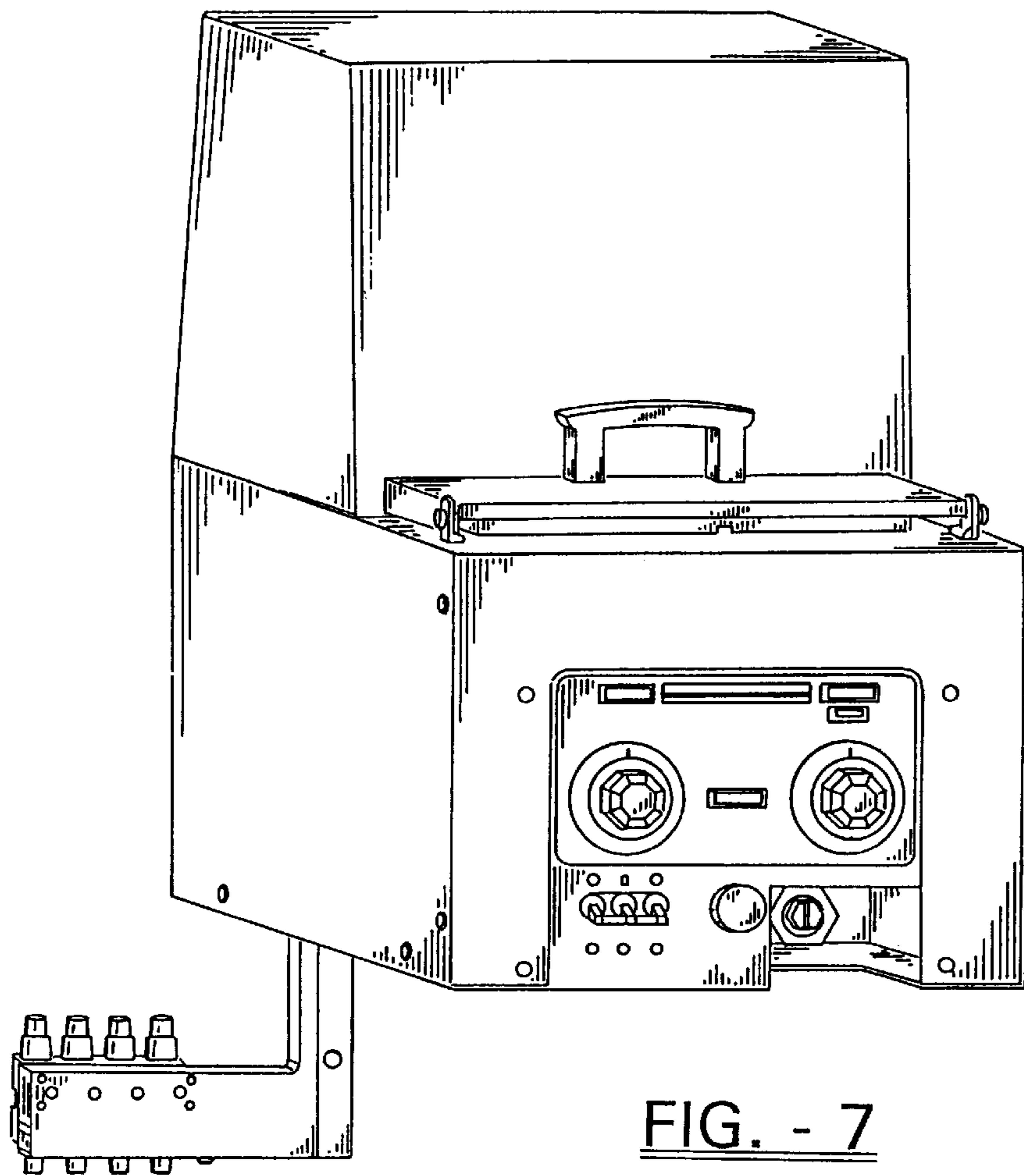


FIG. - 9

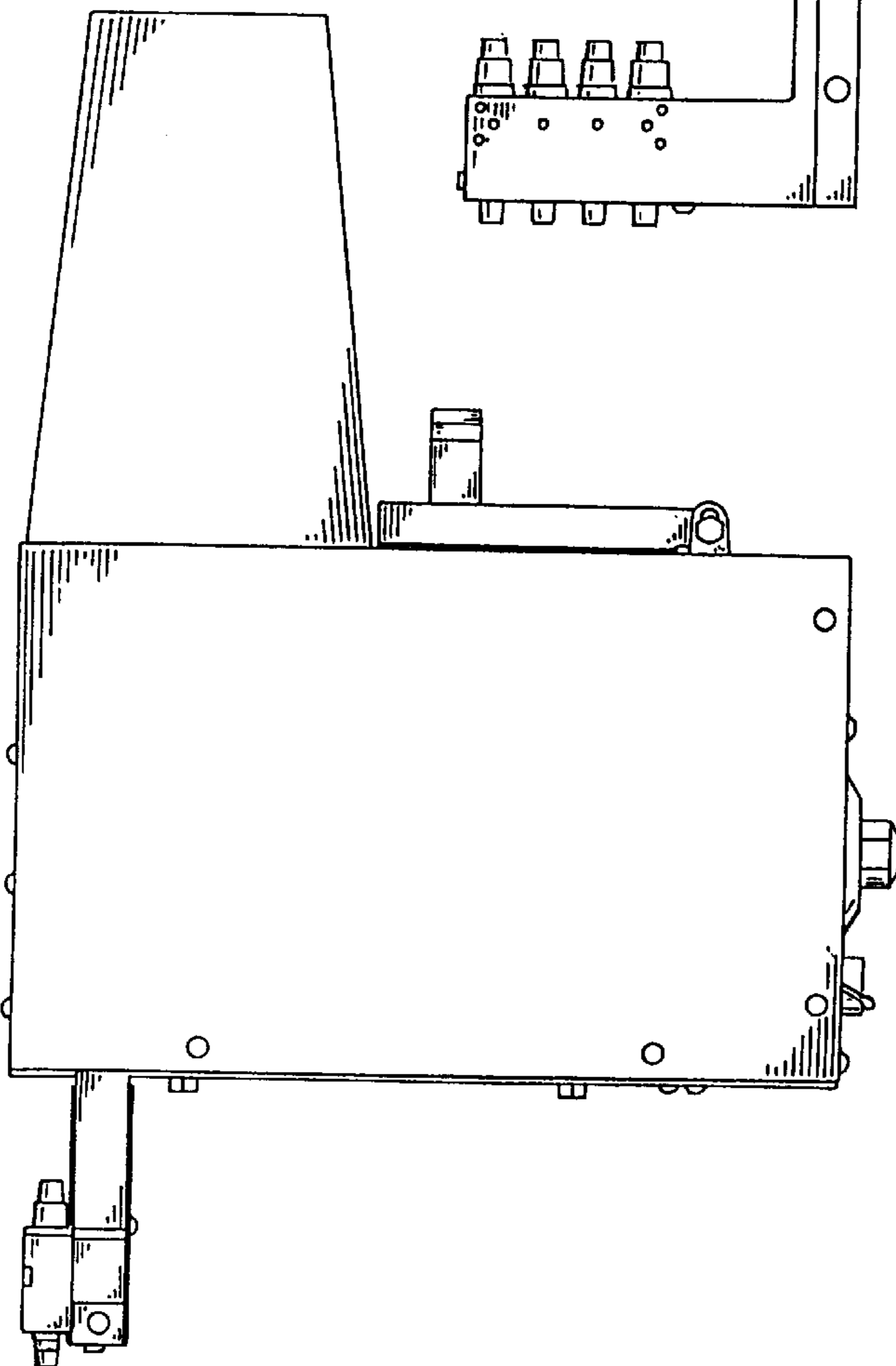
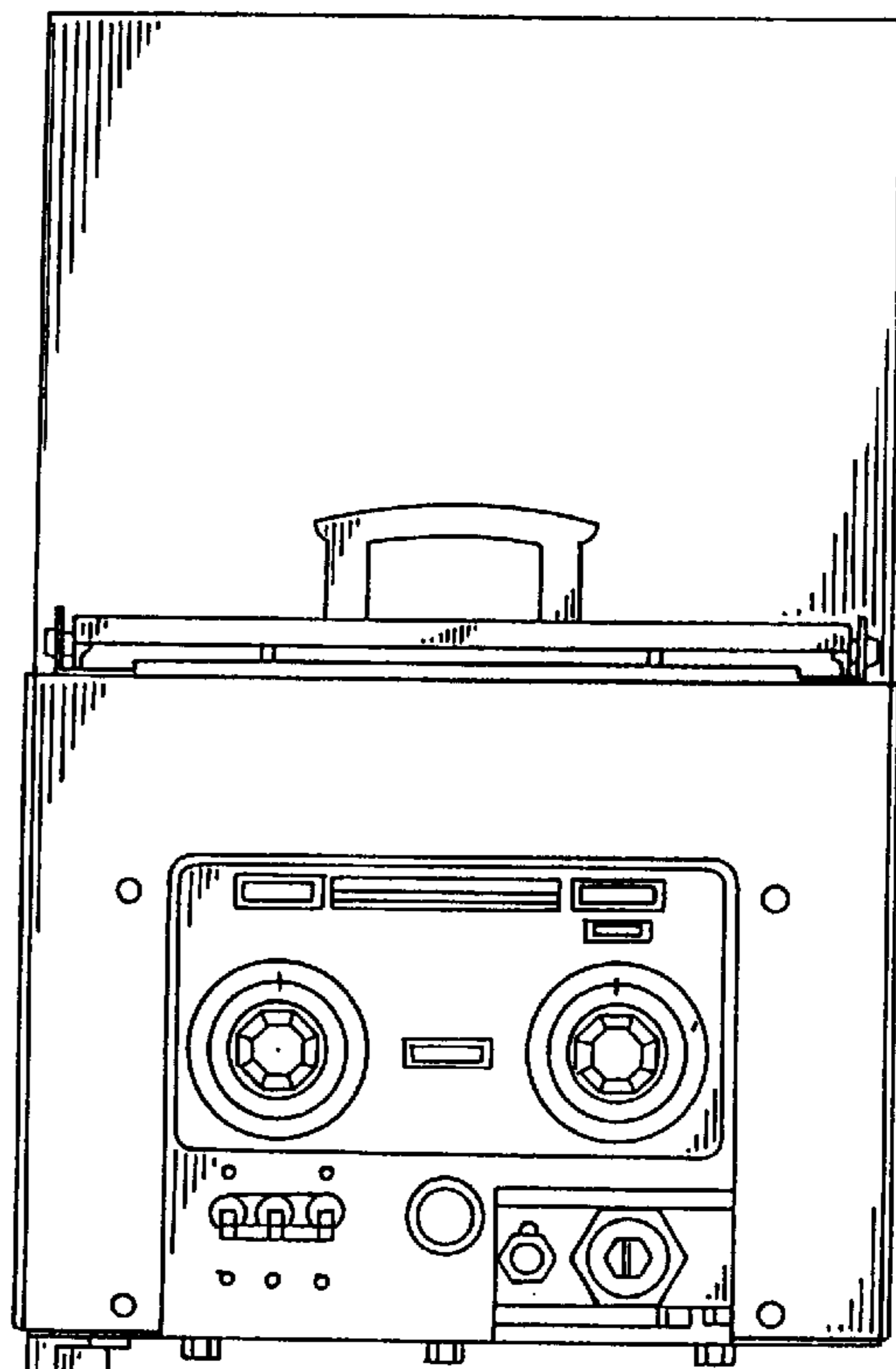


FIG. - 10

FIG. - 11

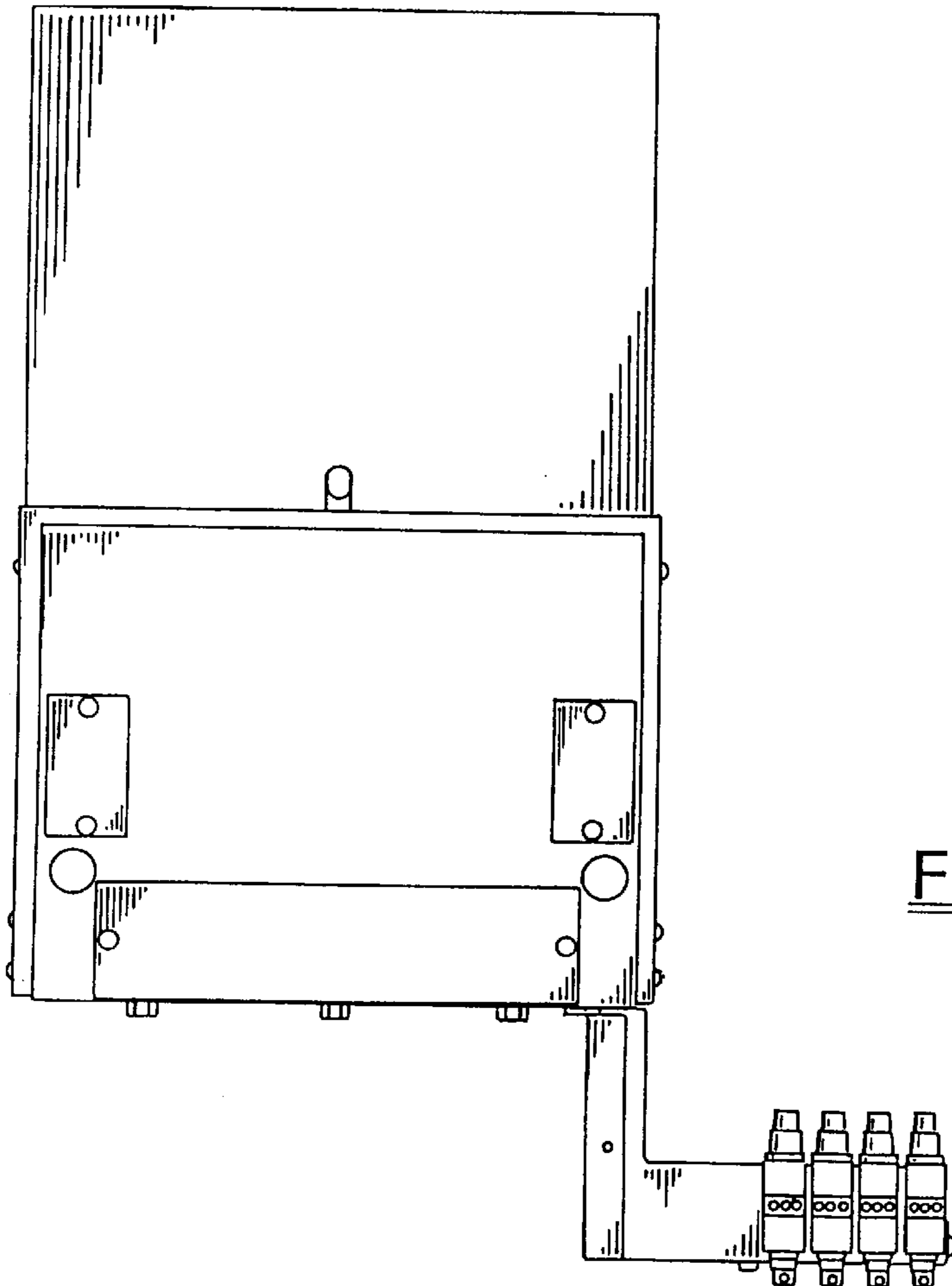
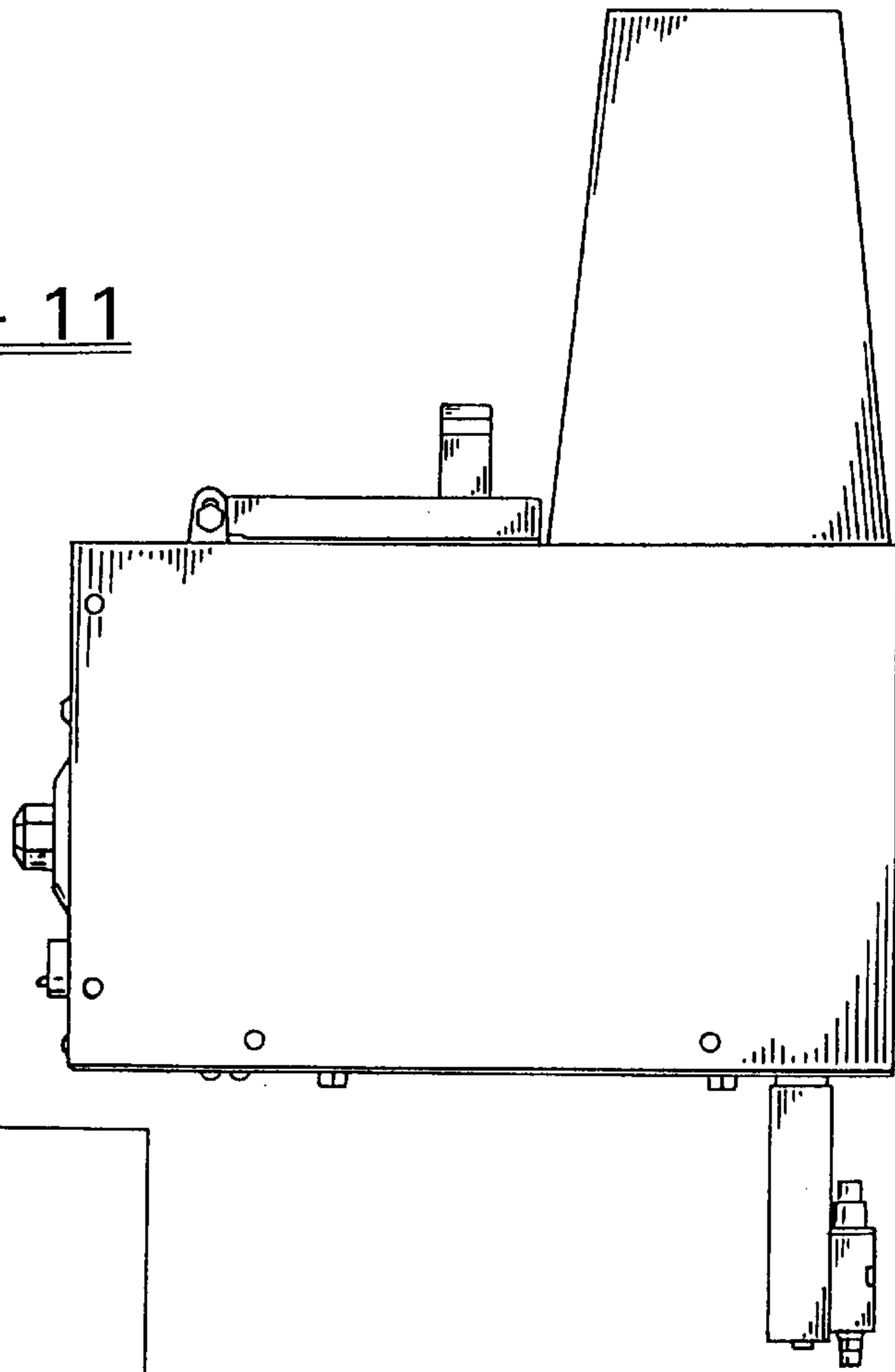


FIG. - 12