



US00D425529S

United States Patent [19] Svetlik

[11] Patent Number: **Des. 425,529**

[45] Date of Patent: **** May 23, 2000**

[54] TABLE SAW

5,174,349 12/1992 Svetlik et al. 83/432
5,619,896 4/1997 Chen 83/432

[75] Inventor: **Kenneth N. Svetlik**, Schaumburg, Ill.

[73] Assignee: **S-B Power Tool Company**, Chicago, Ill.

Primary Examiner—Antoine Duval Davis
Attorney, Agent, or Firm—Leo H McCormick, Jr.; Warren Comstock

[**] Term: **14 Years**

[57] CLAIM

[21] Appl. No.: **29/109,174**

The ornamental design for a table saw, as shown and described.

[22] Filed: **Aug. 11, 1999**

DESCRIPTION

[51] LOC (7) Cl. **15-09**

[52] U.S. Cl. **D15/133**

[58] Field of Search D15/133; 83/432, 83/435, 468.7, 468.3, 477, 477.2, 478

FIG. 1 is a perspective view of a table saw showing my new design;

FIG. 2 is a front plan elevation view thereof;

FIG. 3 is a left plan elevation thereof;

FIG. 4 is a rear plan elevation view thereof;

FIG. 5 is a right plan elevation view thereof; and,

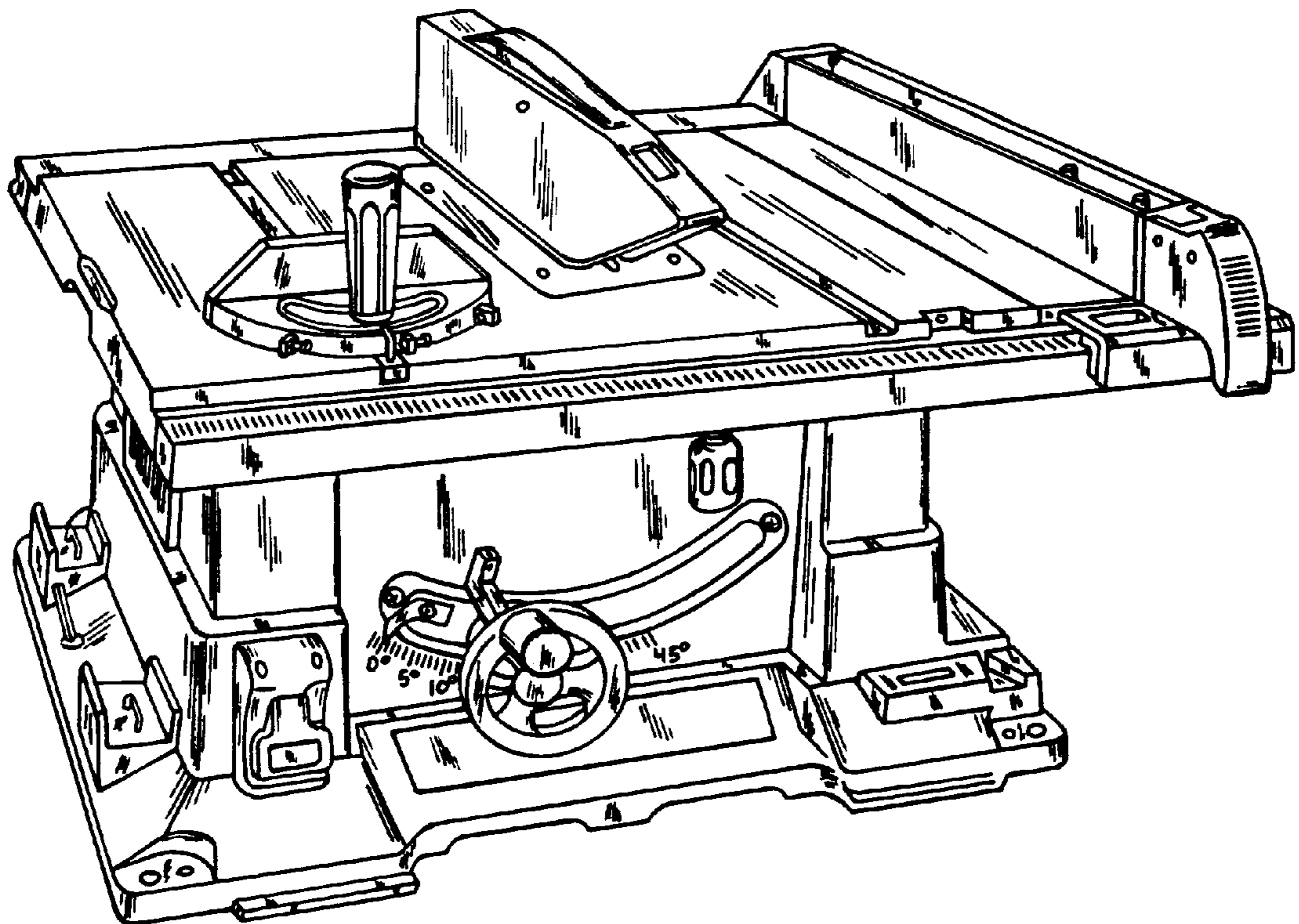
FIG. 6 is a top view thereof.

[56] References Cited

U.S. PATENT DOCUMENTS

D. 394,071 5/1998 Ceroll et al. D15/133
D. 411,090 6/1999 Chang D15/133

1 Claim, 3 Drawing Sheets



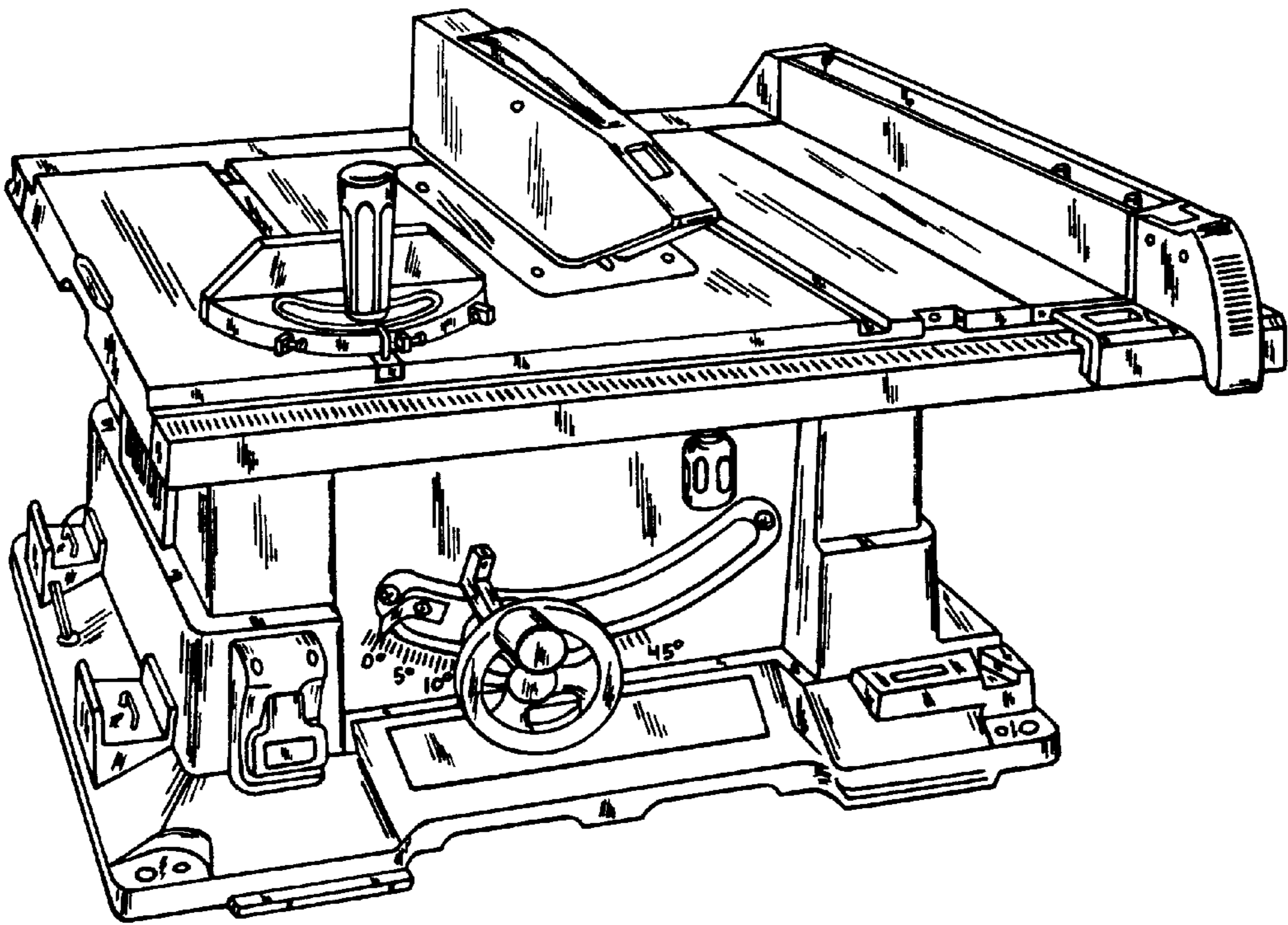


FIG. 1

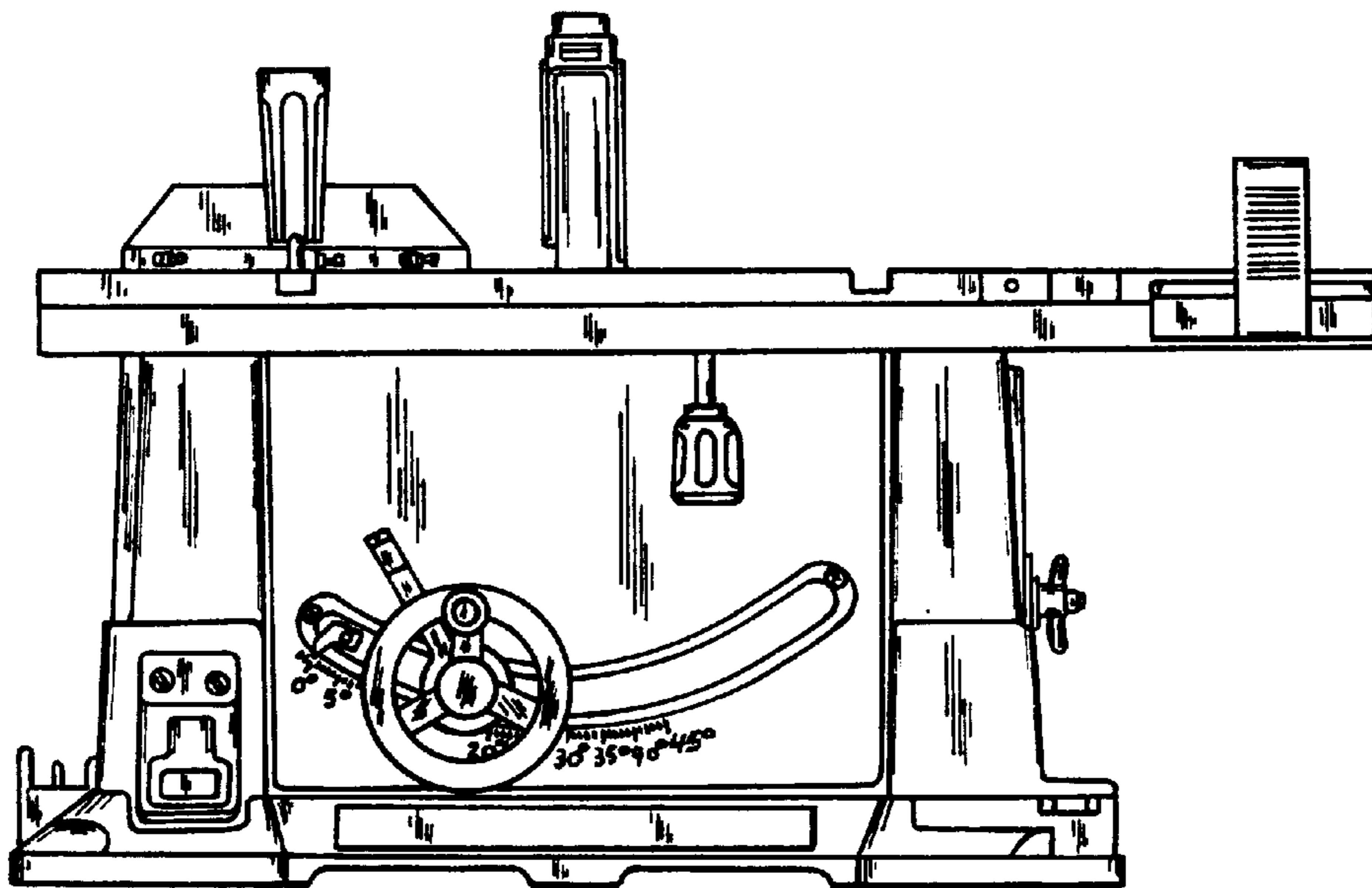


FIG. 2

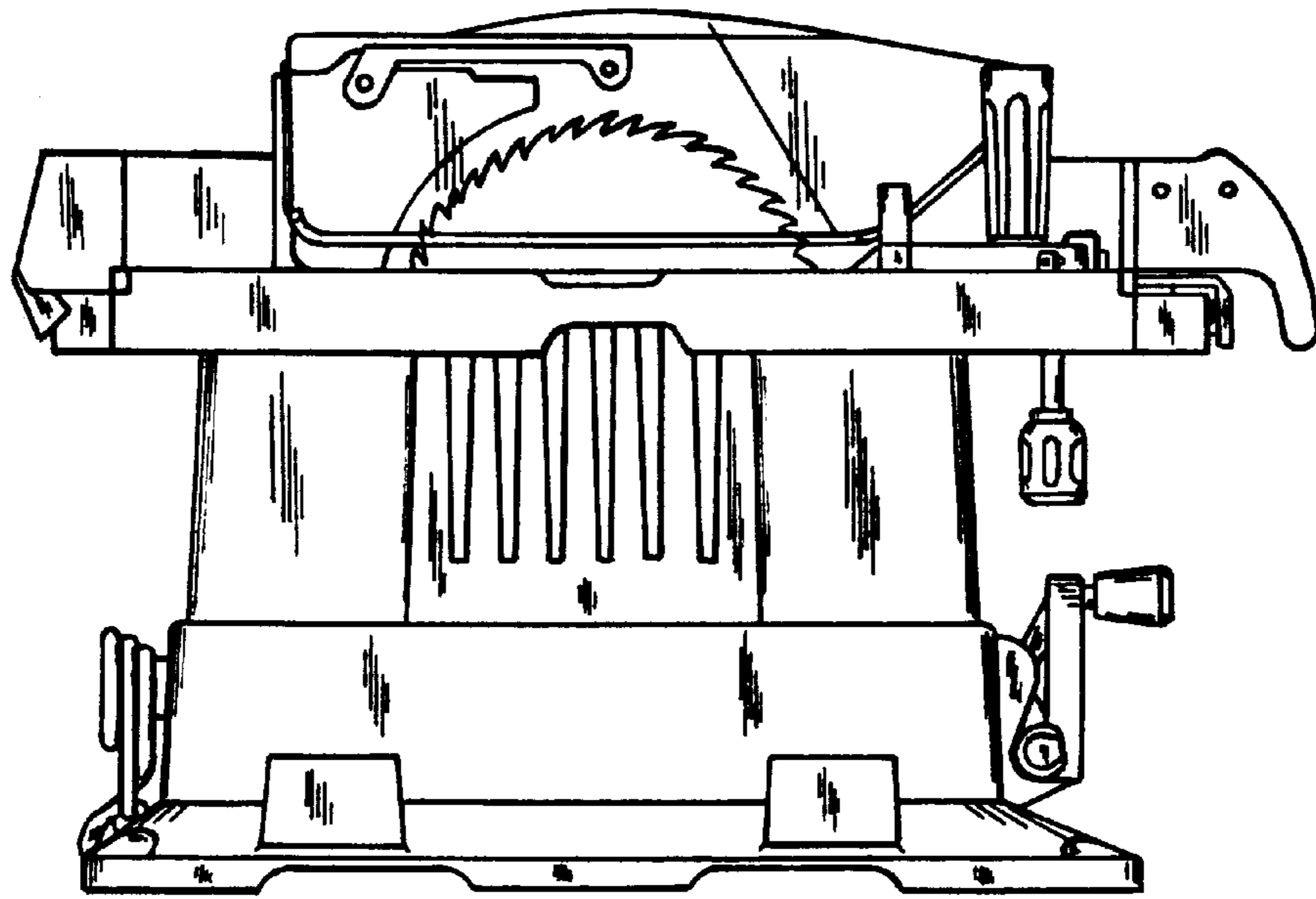


FIG. 3

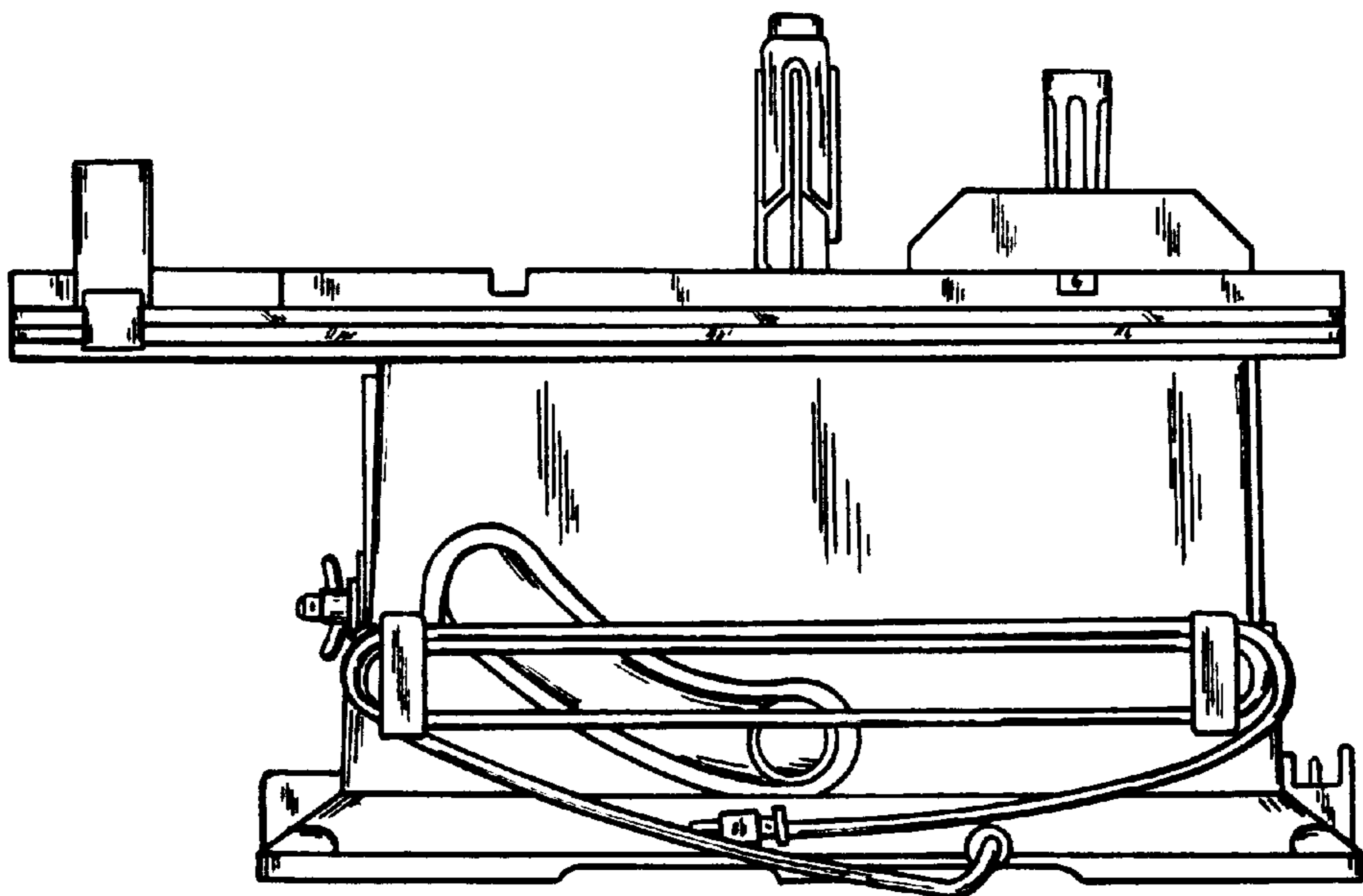


FIG. 4

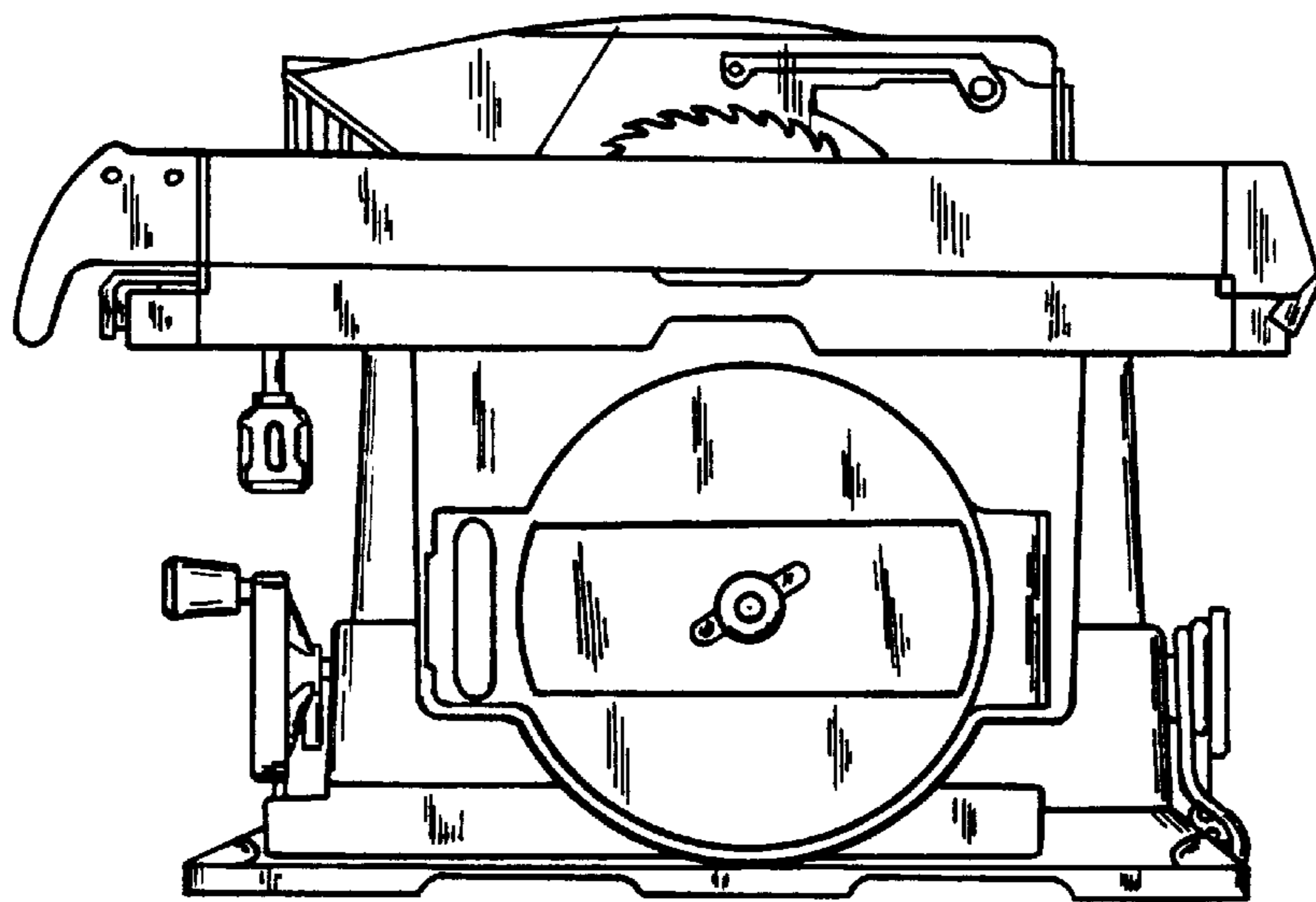


FIG. 5

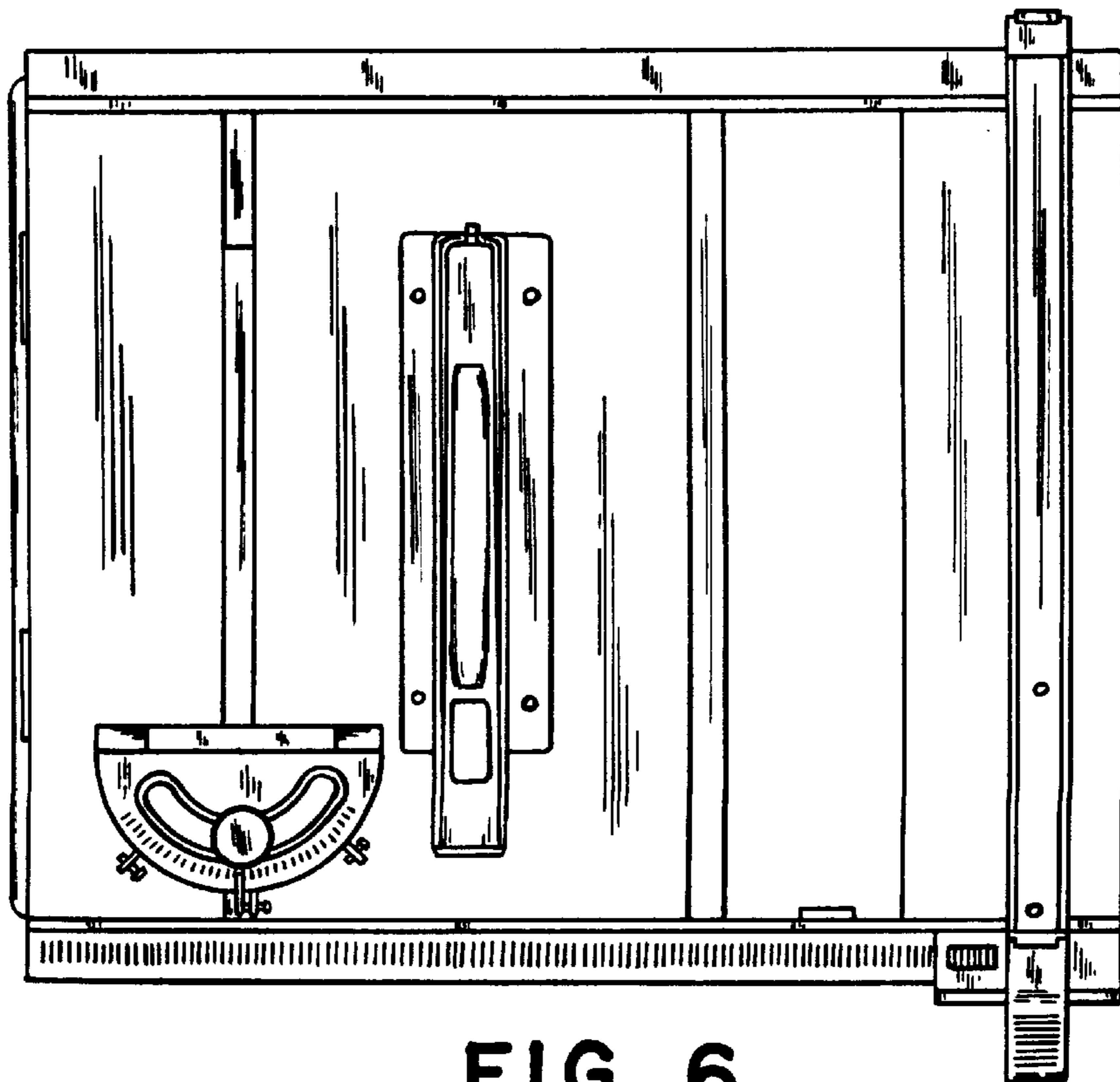


FIG. 6