



US00D425527S

United States Patent [19]

[11] **Patent Number: Des. 425,527**

Deyo et al.

[45] **Date of Patent: ** May 23, 2000**

[54] **LOADER BUCKET**

4,705,449 11/1987 Christianson et al. 414/685
5,160,034 11/1992 Potter D15/25

[75] Inventors: **Charles E. Deyo**, Lisbon; **Daniel T. Antrim**, Mooreton; **Jonathan C. Hollingsworth**, Oakes; **Patrick K. Kuhn**, Bismark; **Deborah N. Walock**, Enderlin; **Kenneth R. Weber**, Milnor; **James W. Wolsky**, Gwinner, all of N. Dak.

OTHER PUBLICATIONS

“Specialized Buckets For Specialized Jobs” brochure No. Kn-20M-1291-#5022-F, by Melroe Company, published Dec., 1991.

[73] Assignee: **Clark Equipment Company**, Woodcliff Lake, N.J.

Primary Examiner—Sandra L. Morris
Attorney, Agent, or Firm—Westman, Champlin & Kelly, P.A.

[**] Term: **14 Years**

[57] CLAIM

The design for a loader bucket, as shown and described.

[21] Appl. No.: **29/094,956**

DESCRIPTION

[22] Filed: **Oct. 14, 1998**

FIG. 1 is a front perspective view of a loader bucket embodying our new design;
FIG. 2 is a rear perspective view thereof;
FIG. 3 is a top plan view thereof;
FIG. 4 is a bottom plan view thereof;
FIG. 5 is an enlarged front elevational view thereof;
FIG. 6 is an enlarged rear elevational view thereof;
FIG. 7 is a further enlarged right side elevational view thereof;
FIG. 8 is a further enlarged left side elevational view thereof;
and,
FIG. 9 is a further enlarged transverse sectional view thereof, taken on line 9—9 in FIG. 3.

[51] **LOC (7) Cl.** **15-04**

[52] **U.S. Cl.** **D15/32**

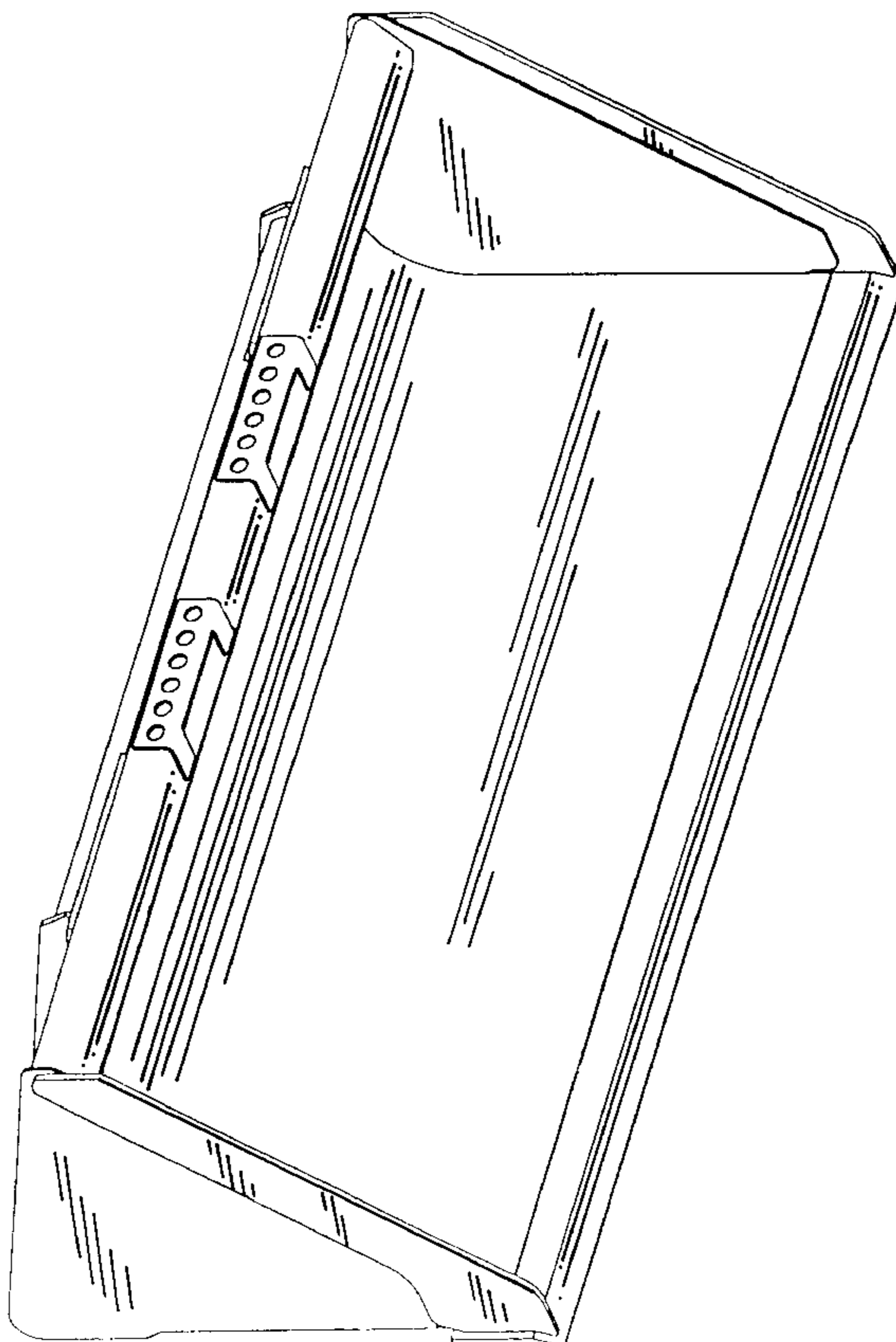
[58] **Field of Search** D15/10, 22-26,
D15/28, 32; 37/442, 444; 414/685, 686,
722

[56] References Cited

U.S. PATENT DOCUMENTS

D. 322,792	12/1991	Park	D15/25
D. 358,157	5/1995	Kusunoki et al.	D15/25
D. 366,024	1/1996	Young	D15/32
3,897,641	8/1975	Moser	37/444
4,538,955	9/1985	Langenfeld et al.	414/686

1 Claim, 9 Drawing Sheets



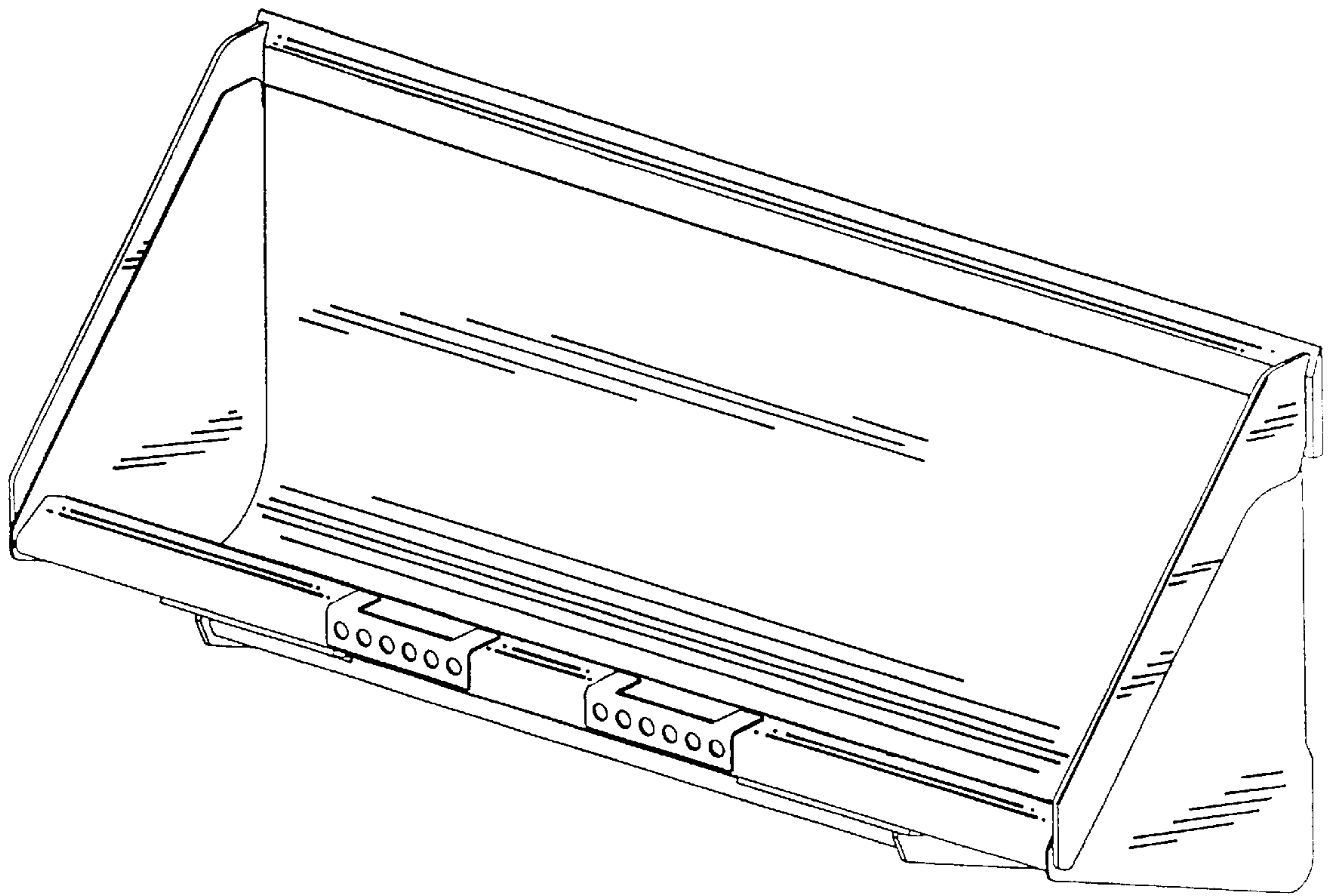


Fig. 1

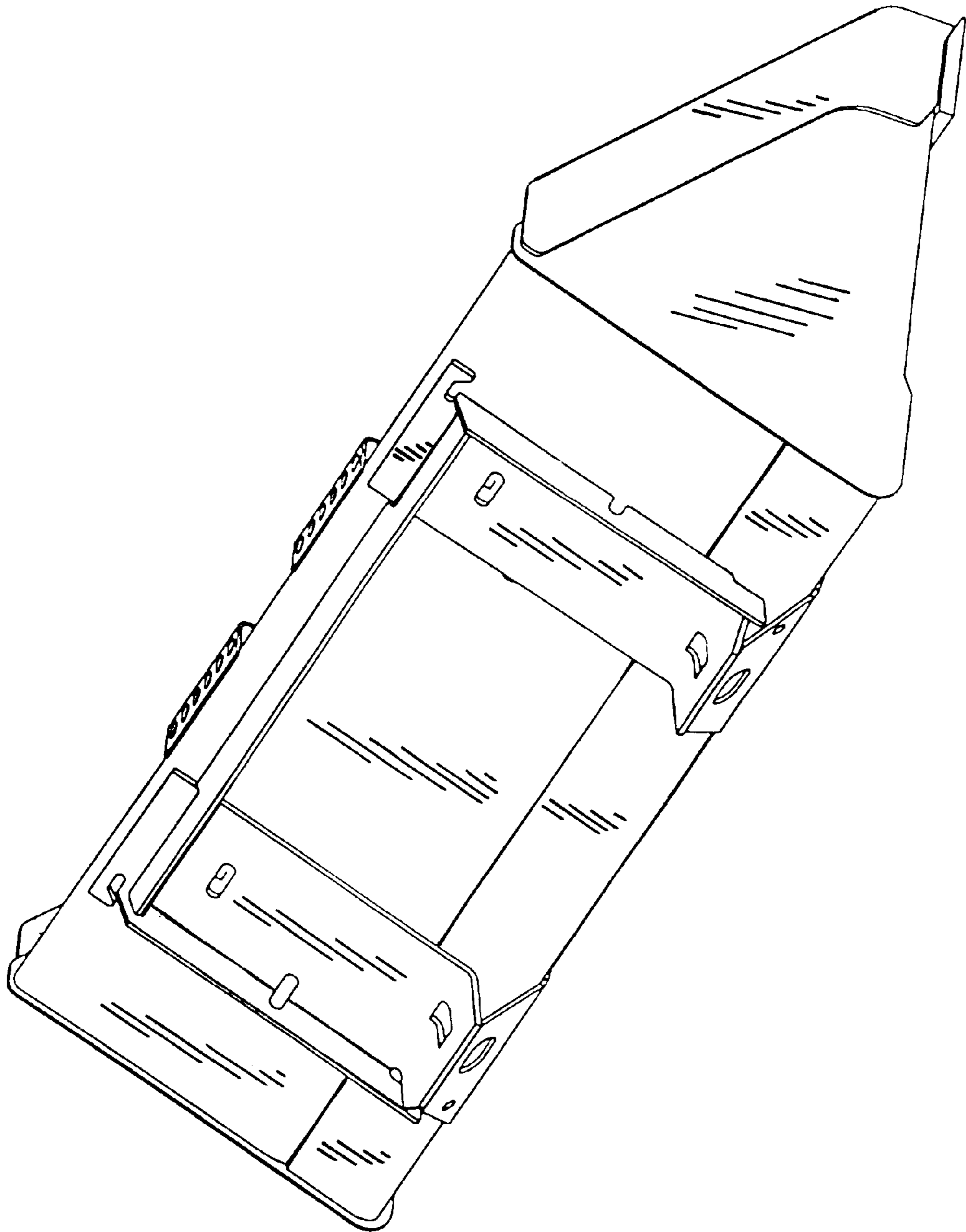


Fig. 2

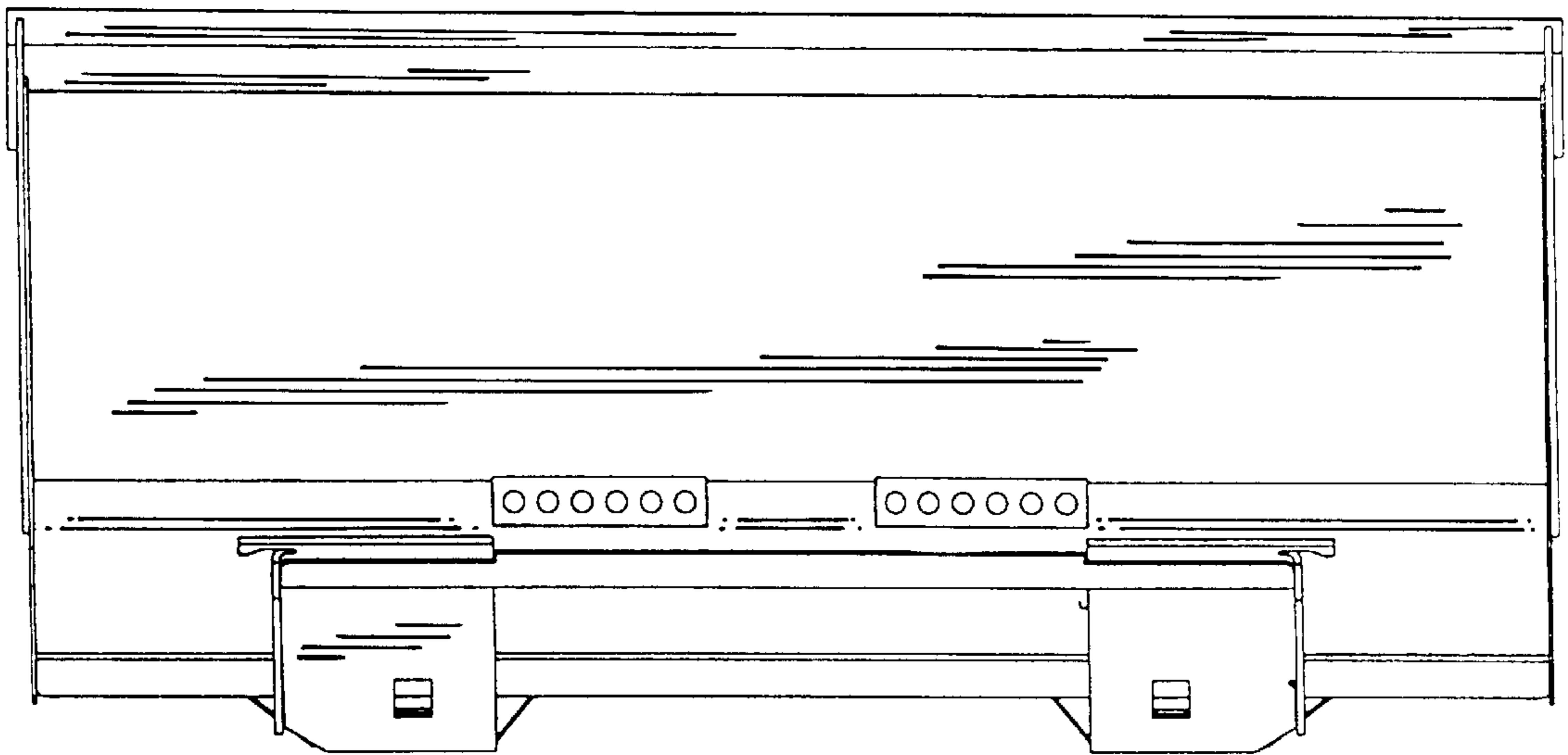


Fig. 3

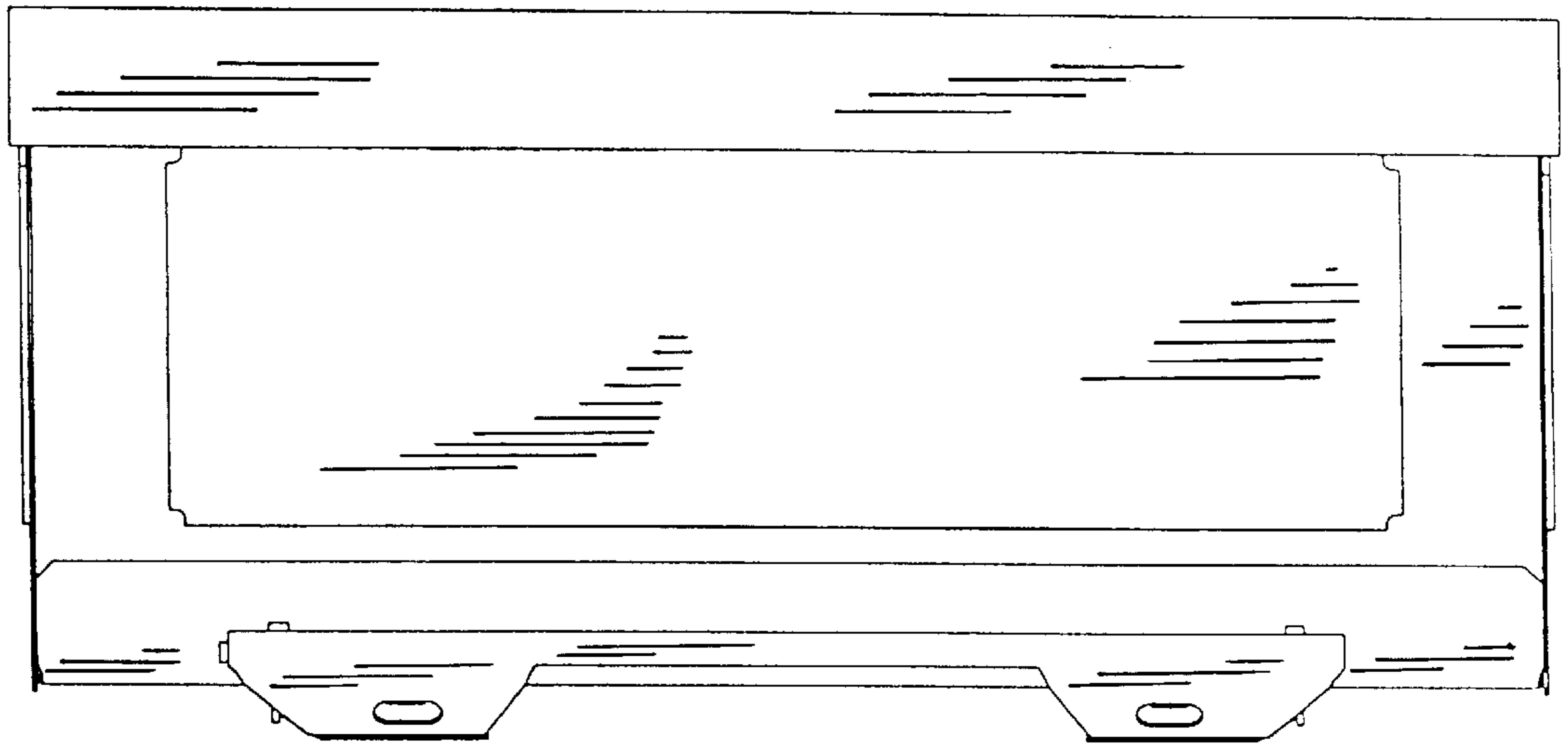


Fig. 4

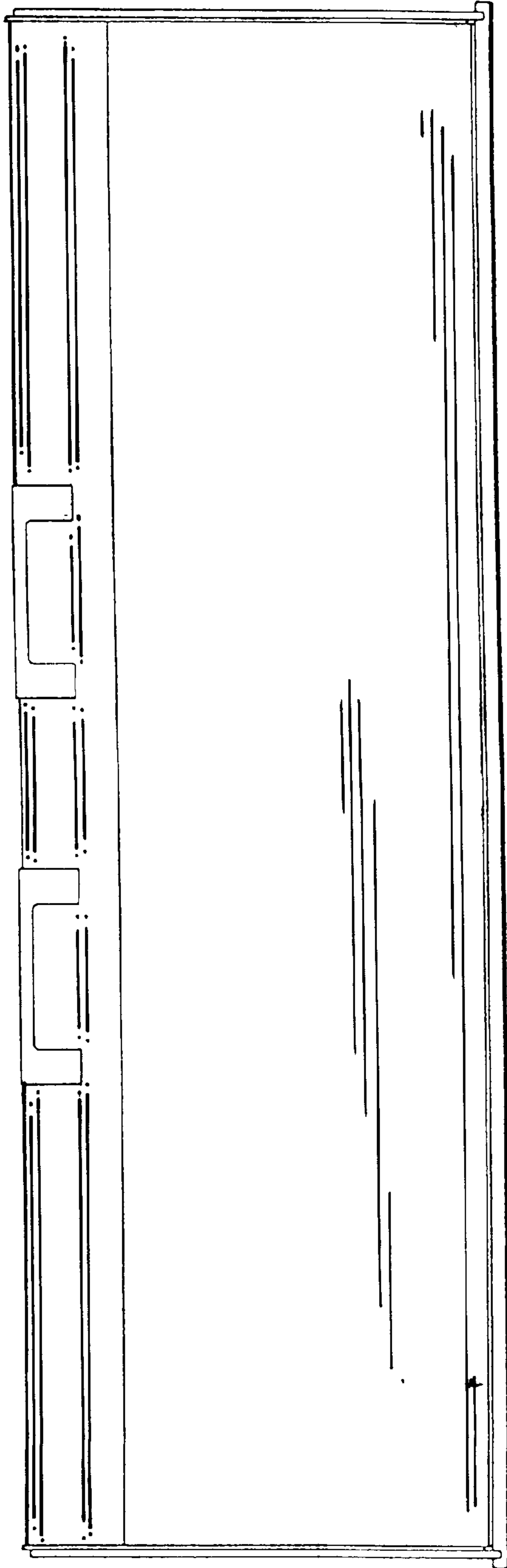


Fig. 5

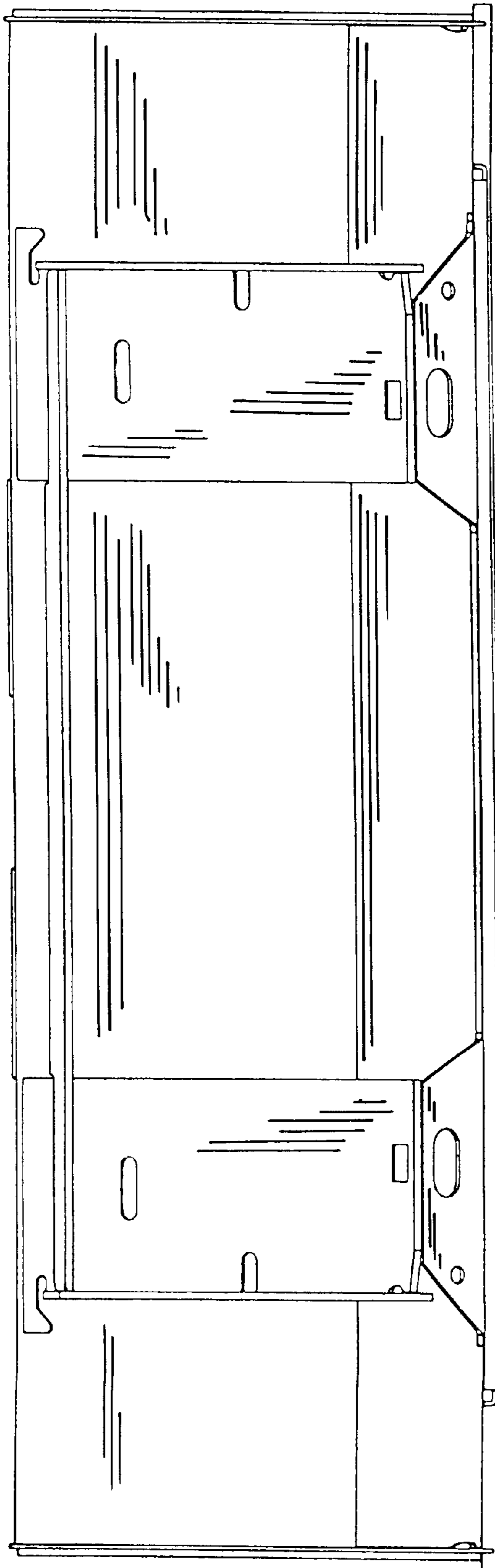


Fig. 6

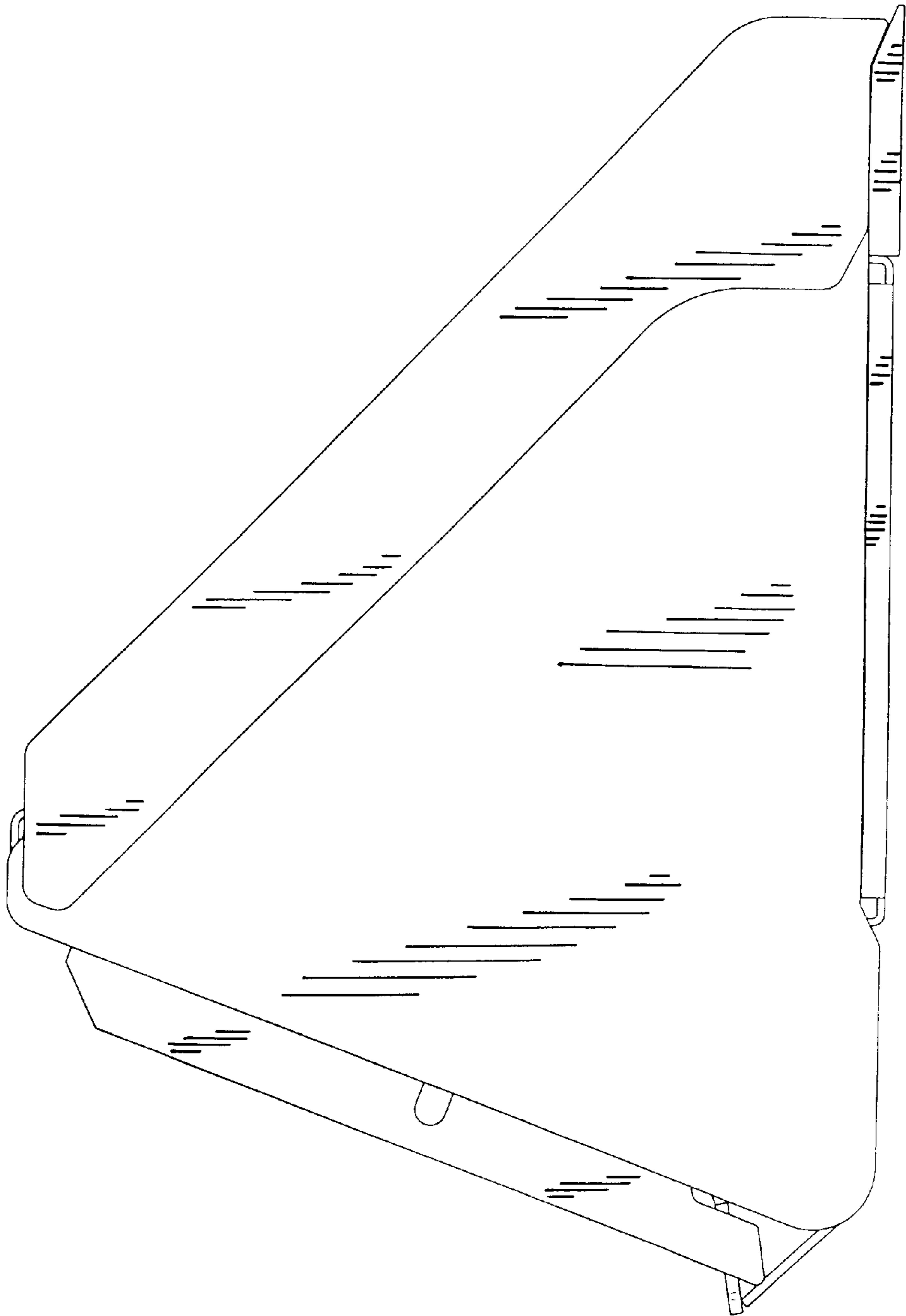


Fig. 7

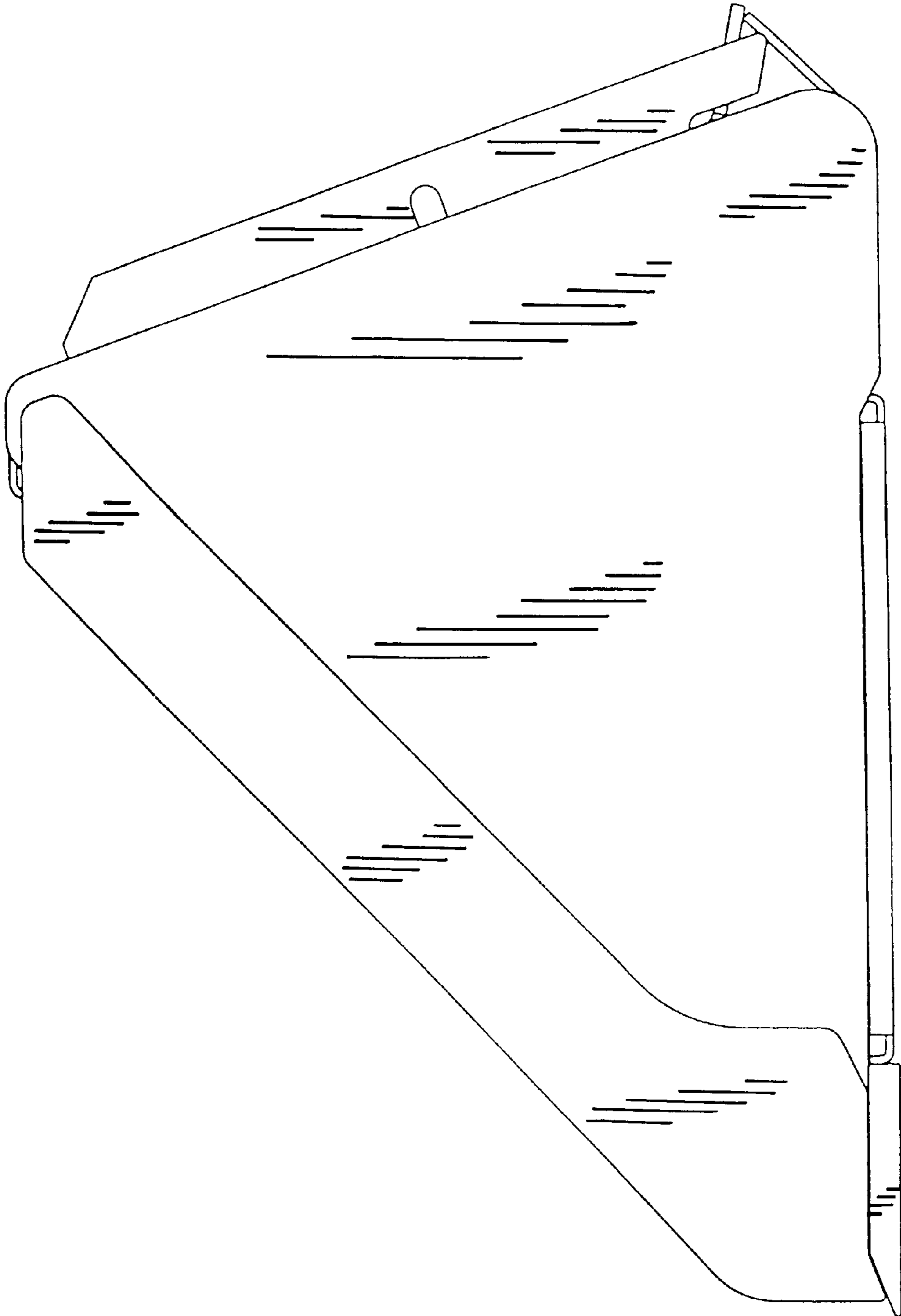


Fig. 8

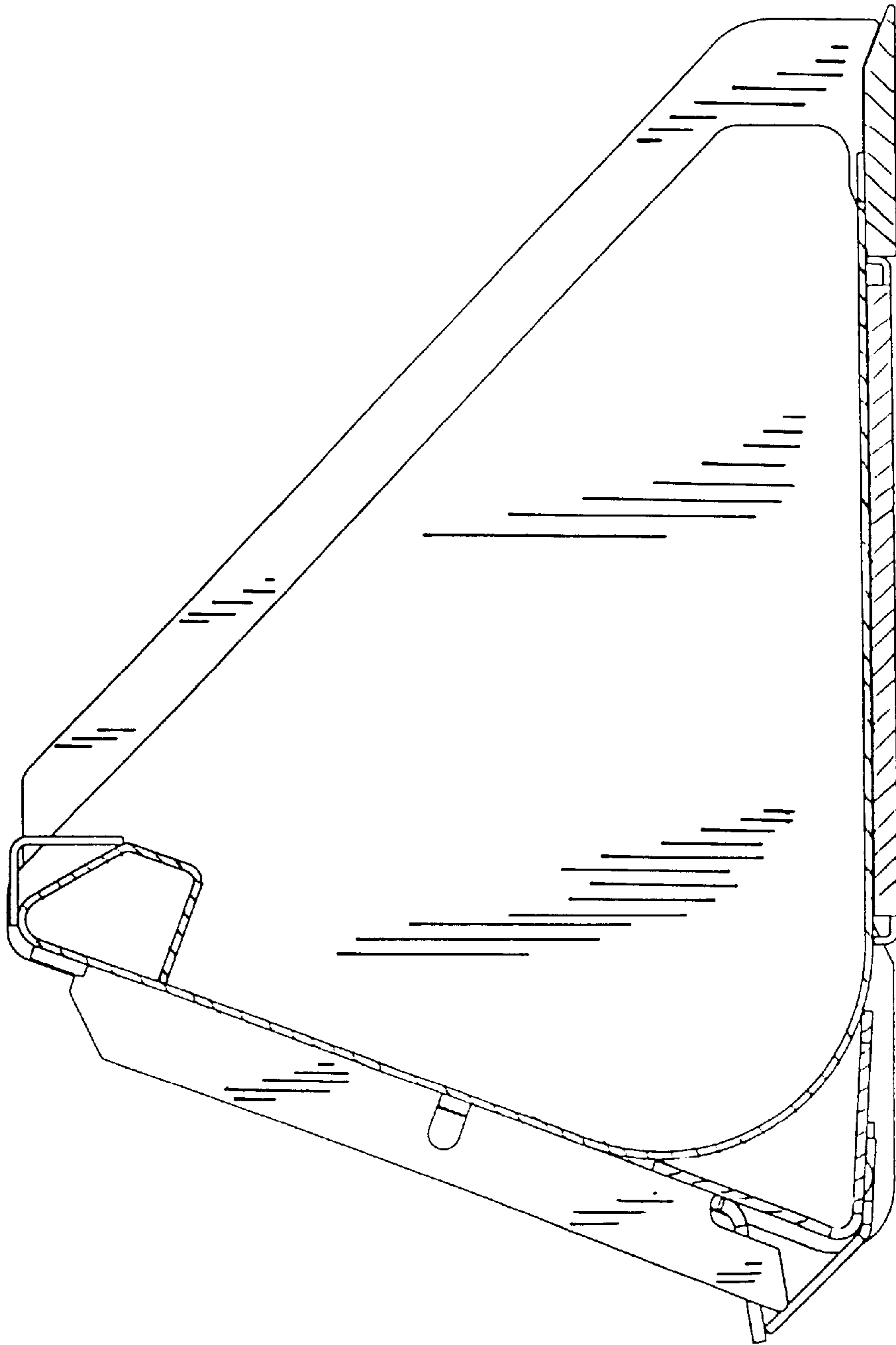


Fig. 9