



US00D425525S

# United States Patent [19]

[11] **Patent Number: Des. 425,525**

**Wooten**

[45] **Date of Patent: \*\* May 23, 2000**

[54] **INSERT FOR VARIABLE BORE RAM BLOW  
OUT PREVENTOR**

5,064,164 11/1991 Le ..... 251/1.1  
5,833,208 11/1998 Lee ..... 251/1.3

[75] Inventor: **Timothy Wooten**, Houston, Tex.

*Primary Examiner*—Robin V. Taylor  
*Attorney, Agent, or Firm*—Duane, Morris & Heckscher LLP

[73] Assignee: **Cooper Cameron Corporation, Inc.**,  
Houston, Tex.

[57] **CLAIM**

[\*\*] Term: **14 Years**

The ornamental design for insert for variable bore ram blow  
out preventor, as shown and described.

[21] Appl. No.: **29/084,776**

**DESCRIPTION**

[22] Filed: **Mar. 10, 1998**

[51] **LOC (7) Cl.** ..... **15-04**

[52] **U.S. Cl.** ..... **D15/21**

[58] **Field of Search** ..... D23/249, 269,  
D23/233; 251/1.1–1.3; D15/21

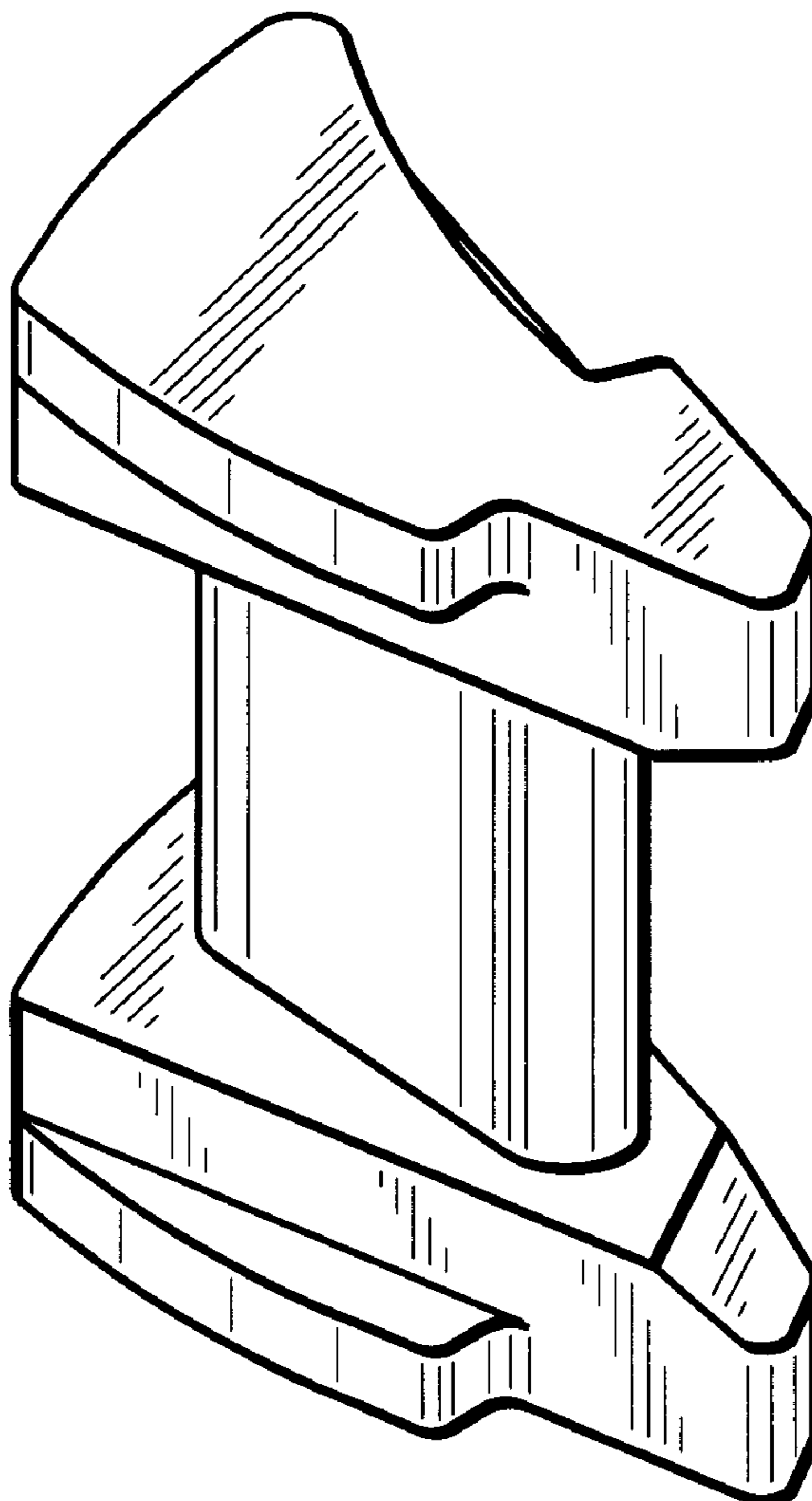
FIG. 1 is a right view of the insert;  
FIG. 2 is a left view of the insert;  
FIG. 3 is a bottom view of the insert;  
FIG. 4 is a top view of the insert;  
FIG. 5 is a front view of the insert; and  
FIG. 6 is a back view of the insert;  
FIG. 7 is a right side perspective view of the insert; and,  
FIG. 8 is a left side perspective view of the insert.

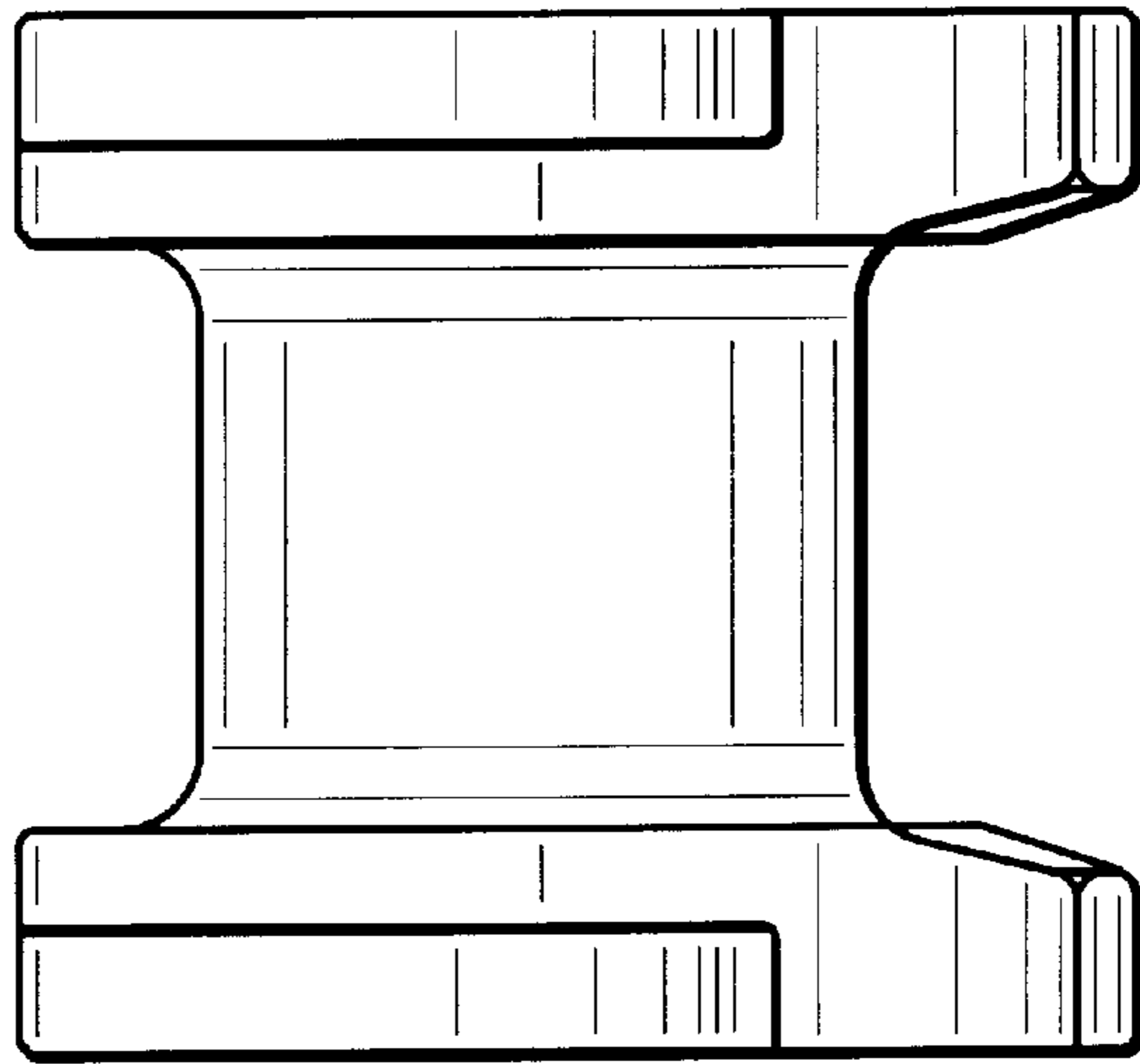
[56] **References Cited**

**U.S. PATENT DOCUMENTS**

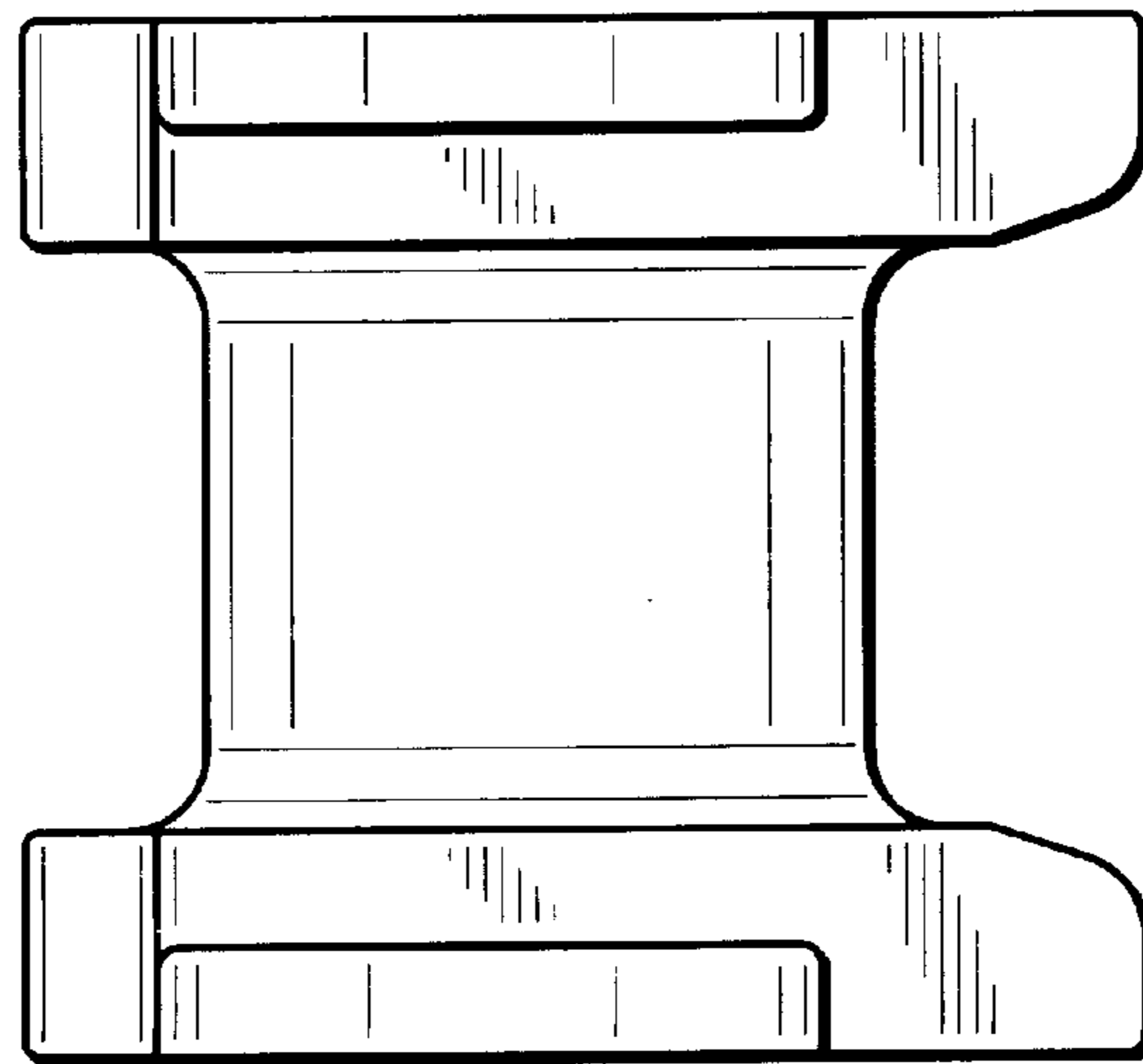
5,011,110 4/1991 Le ..... 251/1.1

**1 Claim, 4 Drawing Sheets**

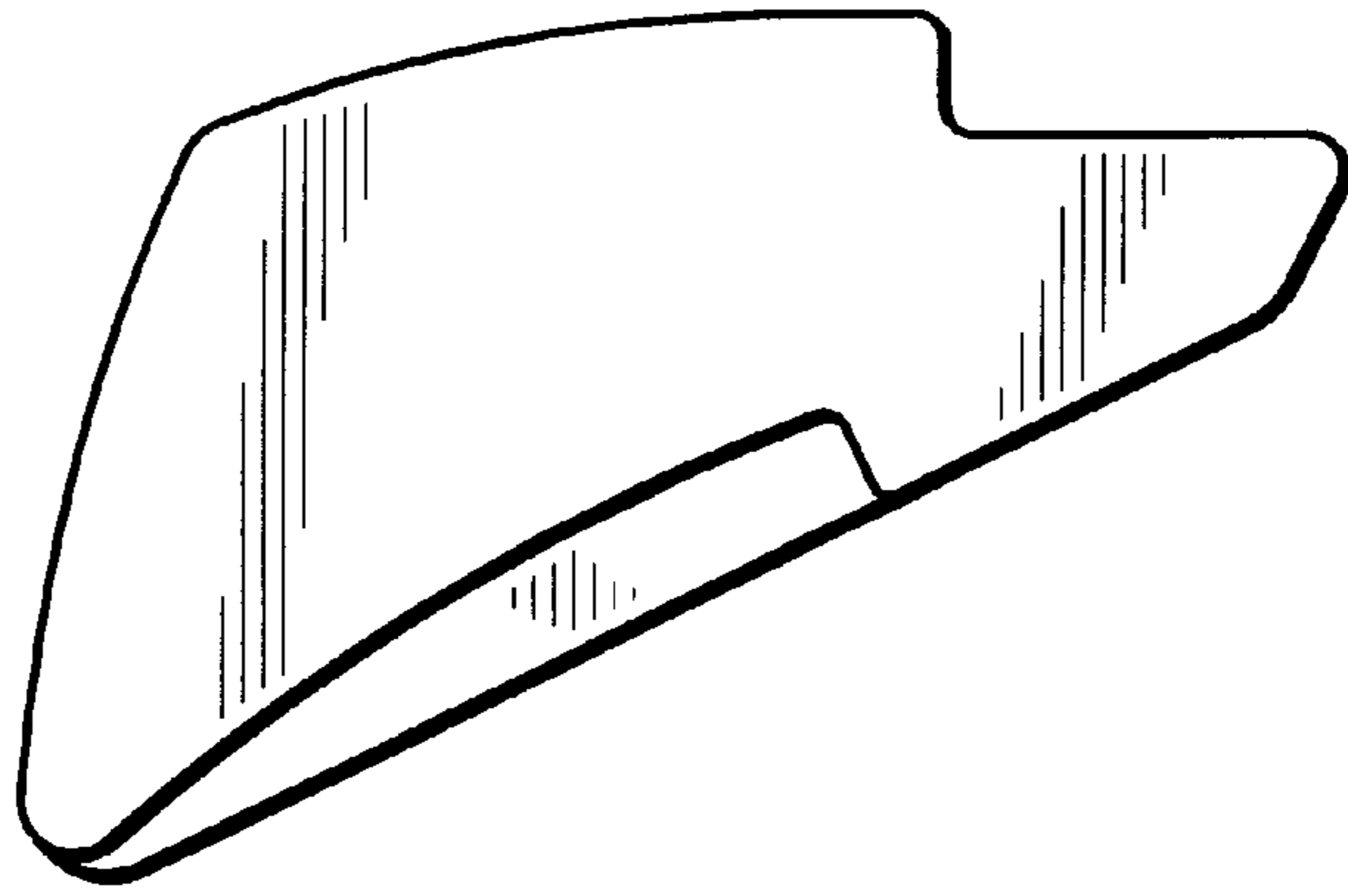




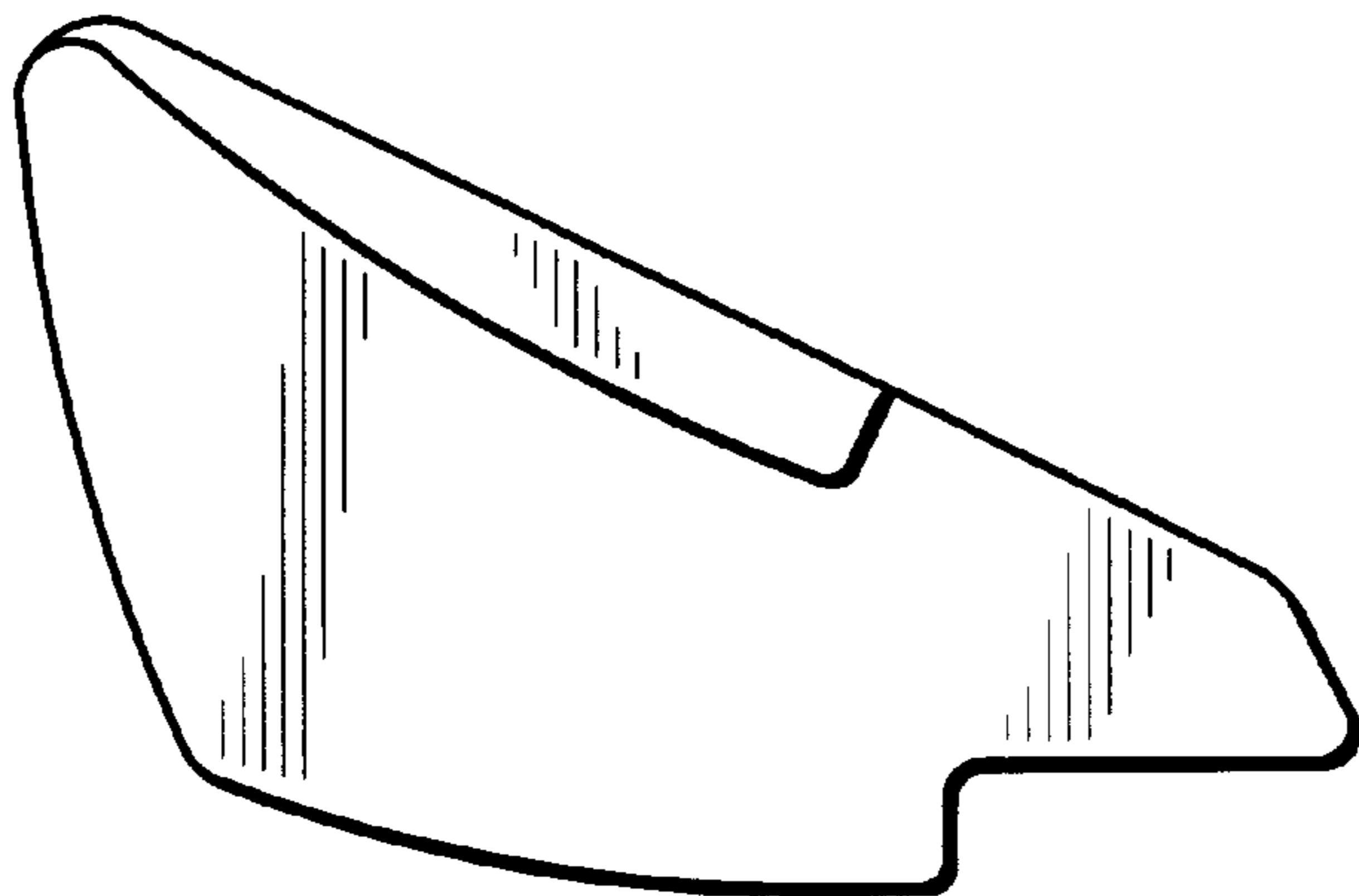
**FIG. 1**



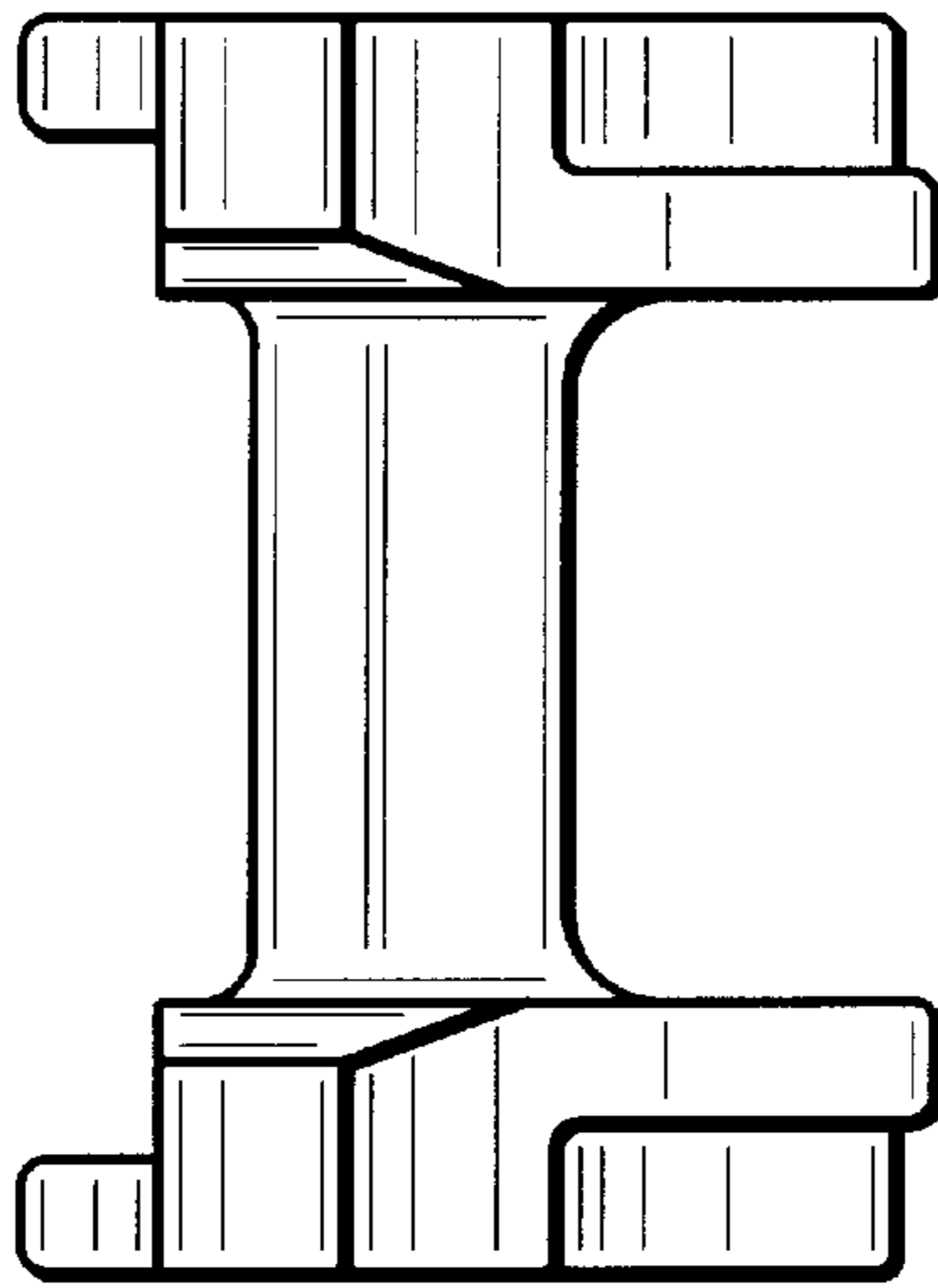
**FIG. 2**



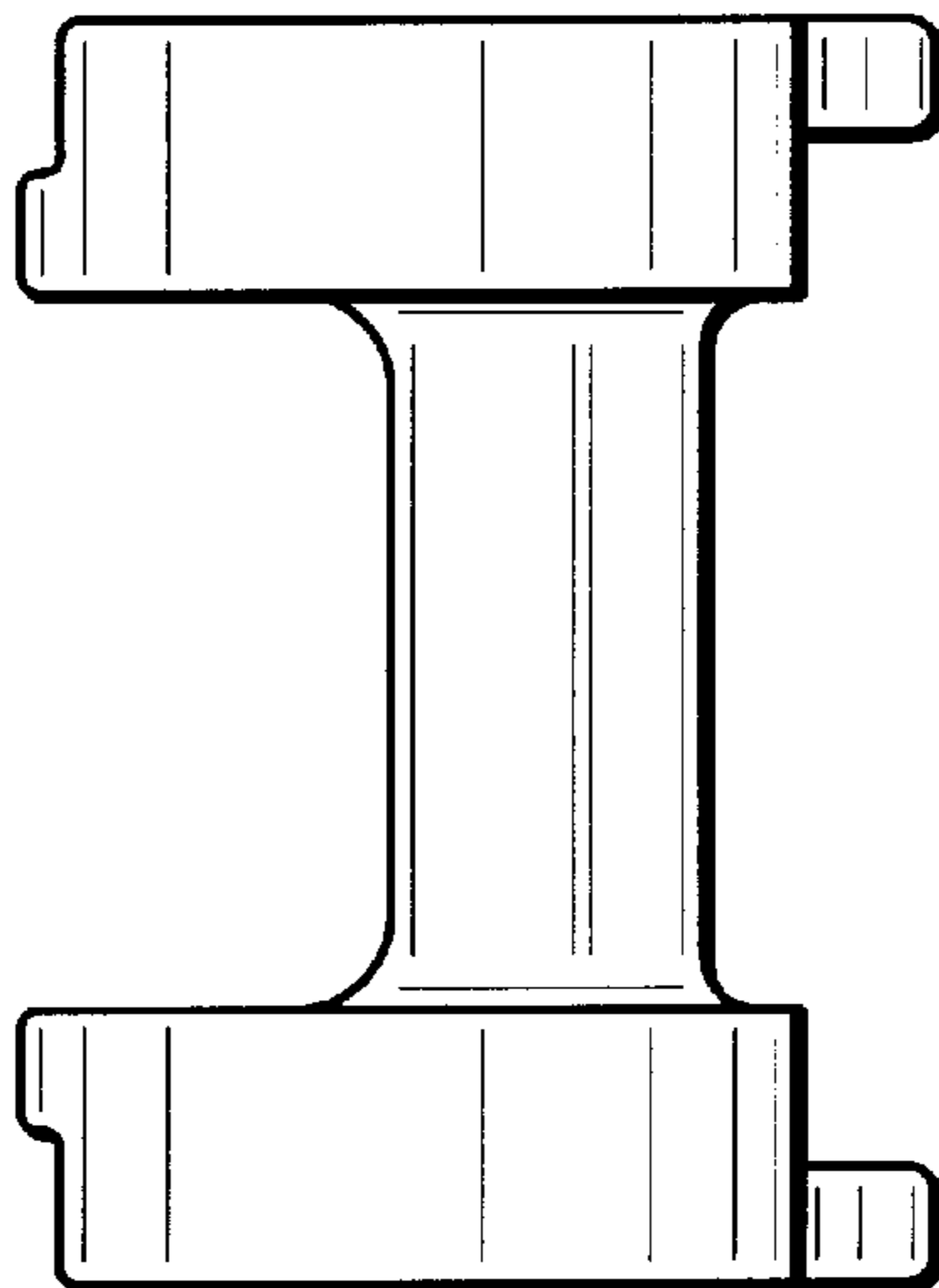
**FIG. 3**



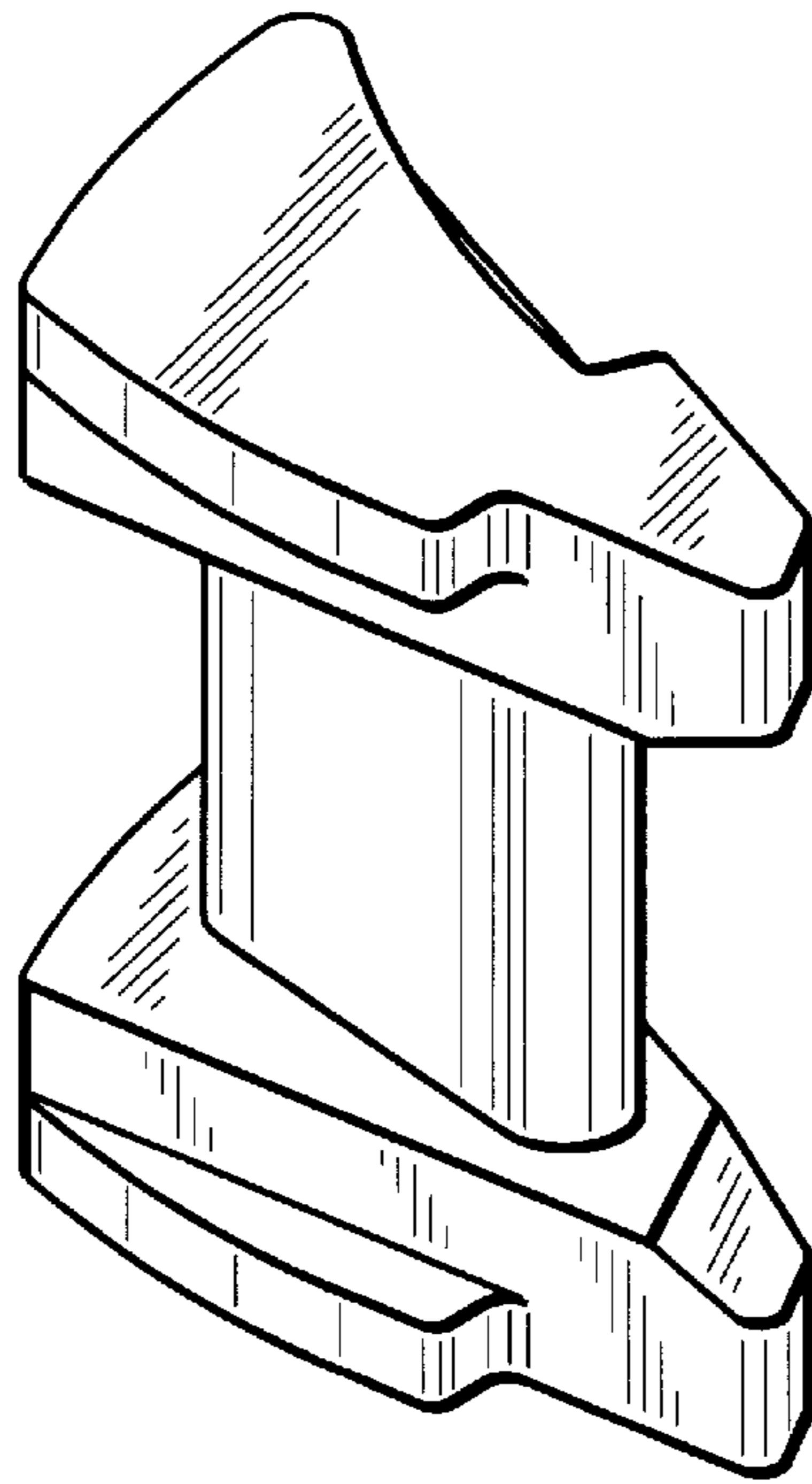
**FIG. 4**



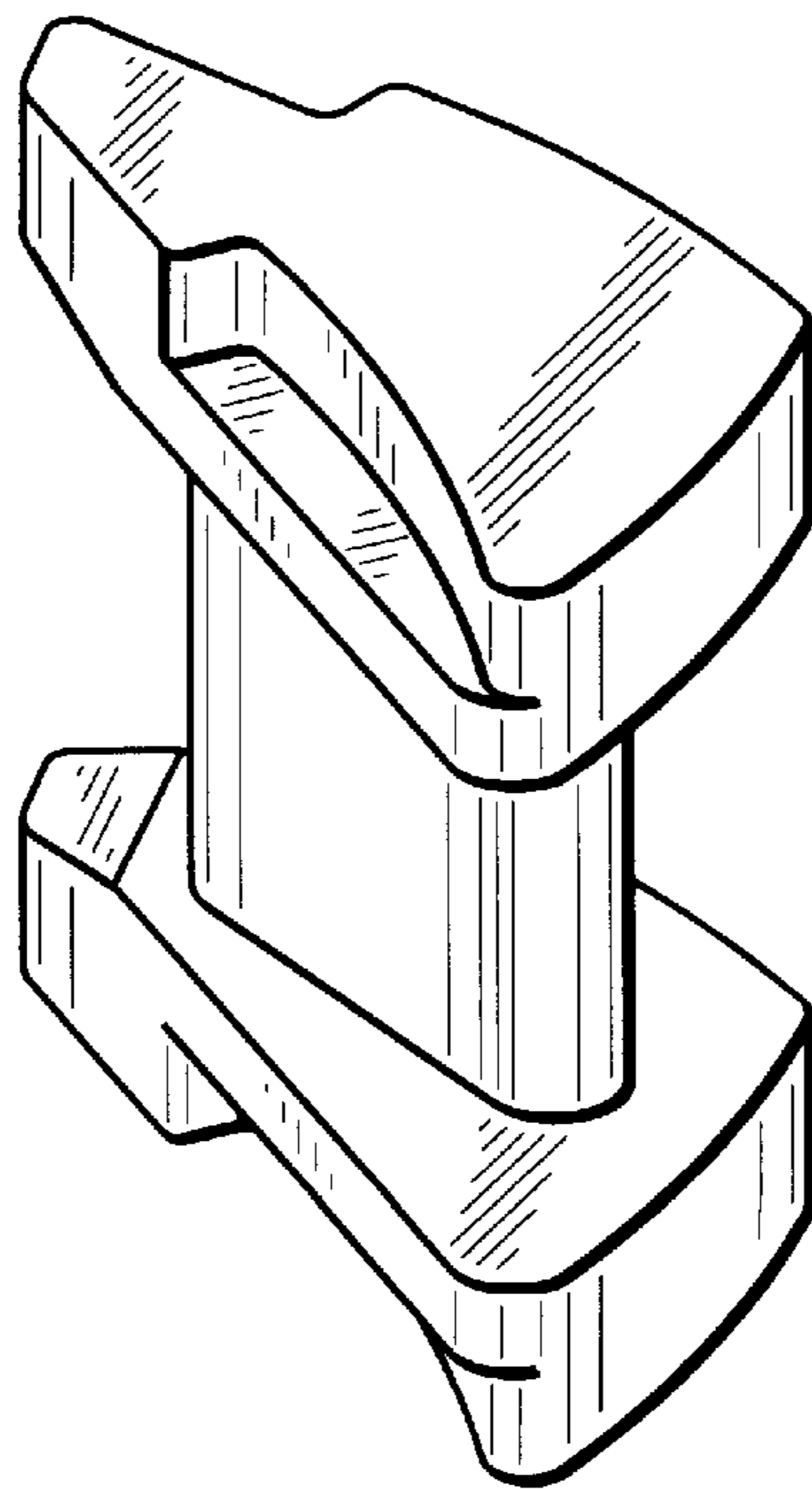
**FIG. 5**



**FIG. 6**



**FIG. 7**



**FIG. 8**

UNITED STATES PATENT AND TRADEMARK OFFICE  
**CERTIFICATE OF CORRECTION**

PATENT NO. : Des 425,525  
DATED : May 23, 2000  
INVENTOR(S) : Timothy Wooten

Page 1 of 1

It is certified that error appears in the above-identified patent and that said Letters Patent is hereby corrected as shown below:

Title page

Item [56], **References Cited**, add the following references:

-- 3,572,627	3/1971	Jones, et al.
3,572,628	3/1971	Jones
3,915,424	10/1975	LeRoux
3,915,426	10/1975	LeRoux
3,994,472	11/1976	Williams
4,007,904	2/1977	Jones
4,095,805	6/1978	Allen
4,099,699	7/1978	Allen
4,229,012	10/80	Williams, III
4,310,139	1/1982	Williams, III, et al.
4,332,267	6/1982	Nelson
4,458,876	7/1984	Schaeper, et al.
5,005,802	4/1991	McWhorter, et al.

Cameron Iron Works Drawing, X24883-01, dated April 4, 1998

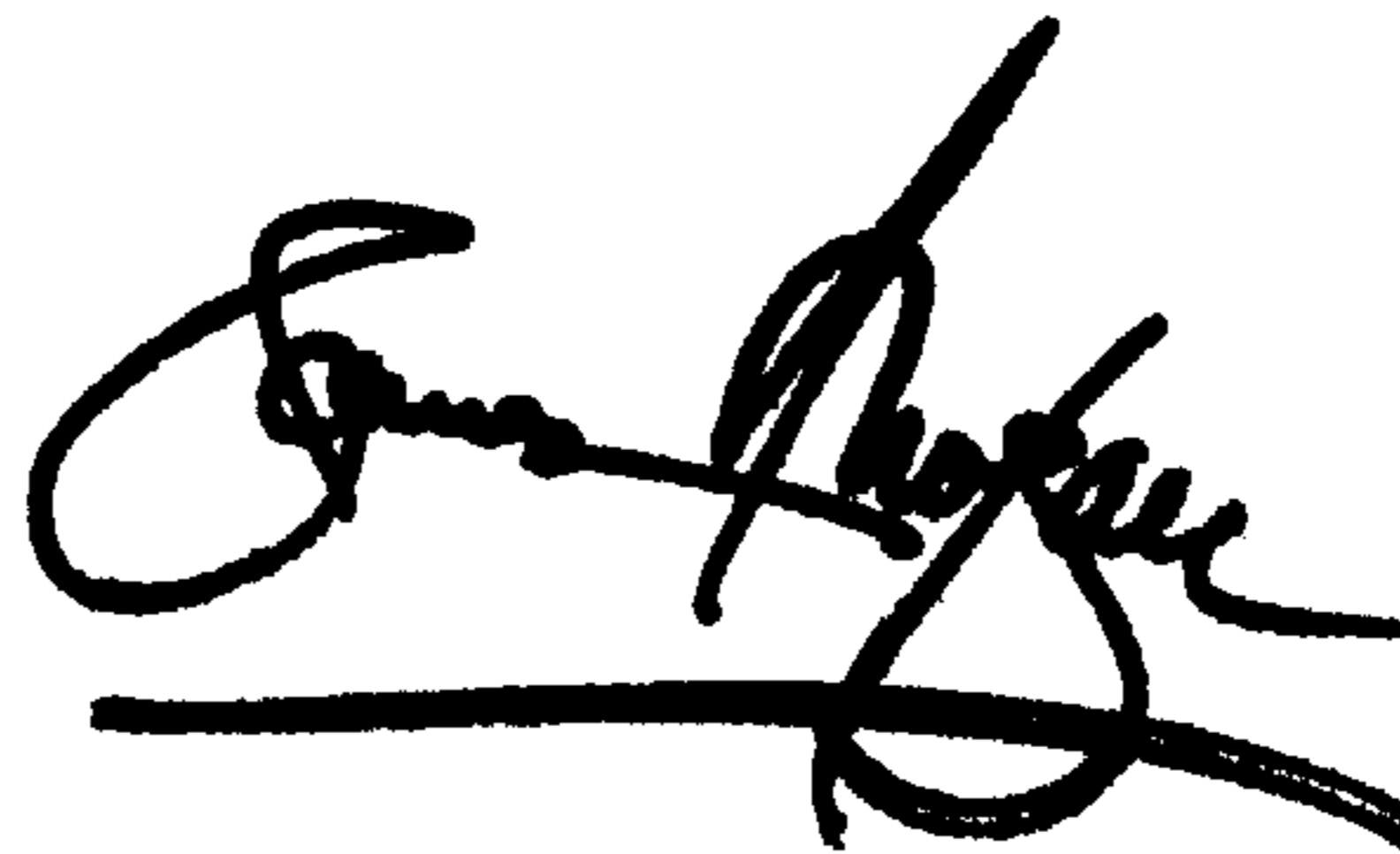
Cameron Iron Works Drawing, X24626-01, dated February 4, 1987

Cameron Iron Works Drawing, X5413-01, dated June 27, 1980 --

Signed and Sealed this

Sixteenth Day of July, 2002

*Attest:*



*Attesting Officer*

JAMES E. ROGAN  
*Director of the United States Patent and Trademark Office*