



US00D425522S

United States Patent [19]
Okamoto

[11] **Patent Number: Des. 425,522**

[45] **Date of Patent: ** May 23, 2000**

[54] **OUTBOARD MOTOR**

[75] Inventor: **Hisashi Okamoto**, Hamamatsu, Japan

[73] Assignee: **Suzuki Motor Corporation**,
Shizuoka-ken, Japan

[**] Term: **14 Years**

[21] Appl. No.: **29/105,872**

[22] Filed: **Jun. 4, 1999**

[30] **Foreign Application Priority Data**

Dec. 4, 1998 [JP] Japan 10-35178

[51] **LOC (7) Cl.** **15-01**

[52] **U.S. Cl.** **D15/4**

[58] **Field of Search** D15/1, 4, 5; 440/53,
440/57, 61, 495, 900; 248/640-643

[56] **References Cited**

U.S. PATENT DOCUMENTS

D. 332,265 1/1993 Osumi D15/4

D. 359,290 6/1995 Takeuchi D15/1
D. 403,684 1/1999 Oishi D15/4
4,887,692 12/1989 Outani et al. 440/900

Primary Examiner—Ralf Seifert
Attorney, Agent, or Firm—Gary M. Nath; Harold L. Novick;
Nath & Associates

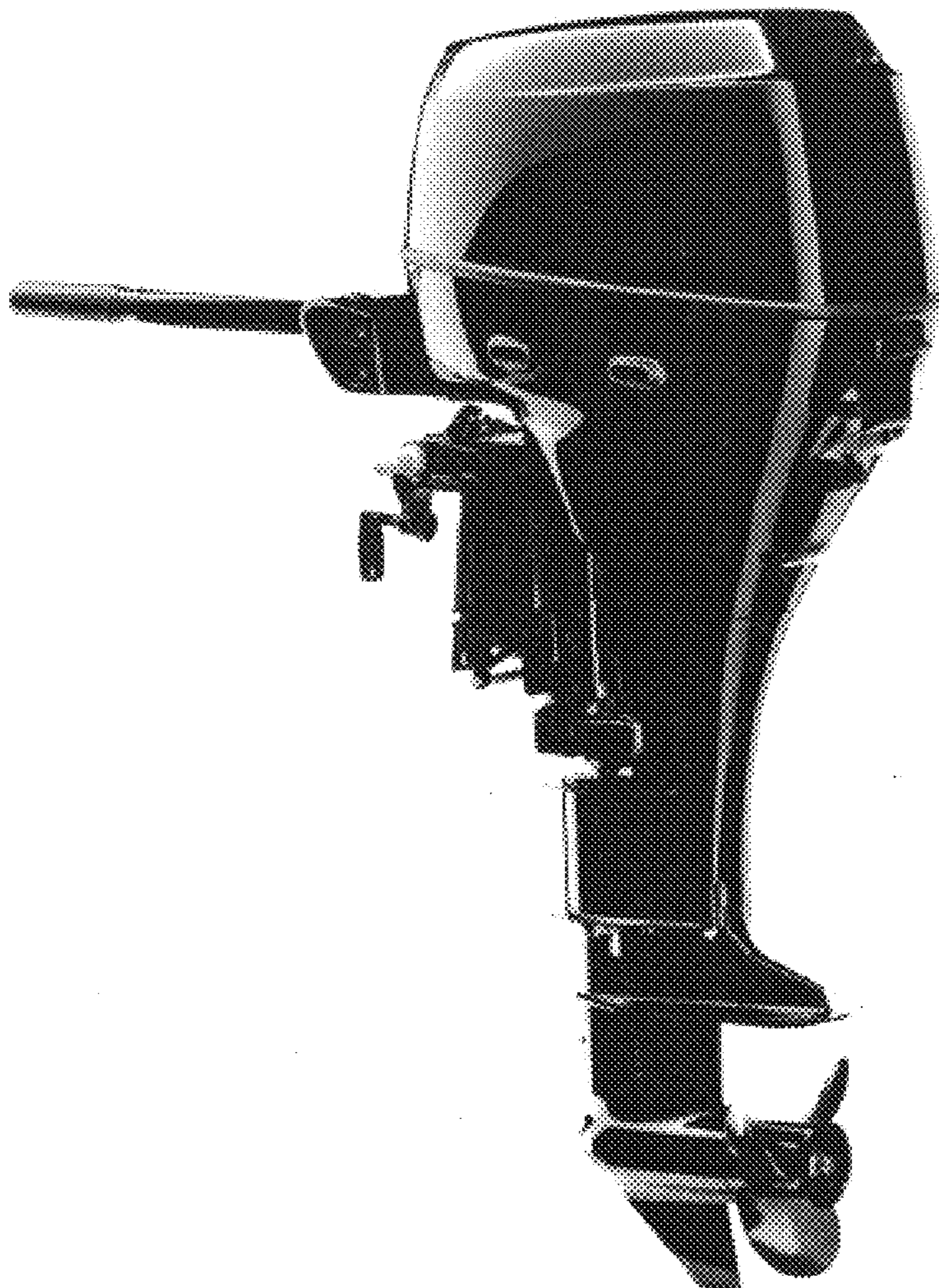
[57] **CLAIM**

The ornamental design for an outboard motor, as shown and described.

DESCRIPTION

FIG. 1 is a front and right-side perspective view of an outboard motor showing my new design; FIG. 2 is a rear and left-side perspective view thereof; FIG. 3 is a front elevational view thereof; FIG. 4 is a rear elevational view thereof; FIG. 5 is a top plan view thereof; FIG. 6 is a bottom view thereof; FIG. 7 is a left-side view thereof; and, FIG. 8 is a right-side view thereof.

1 Claim, 8 Drawing Sheets



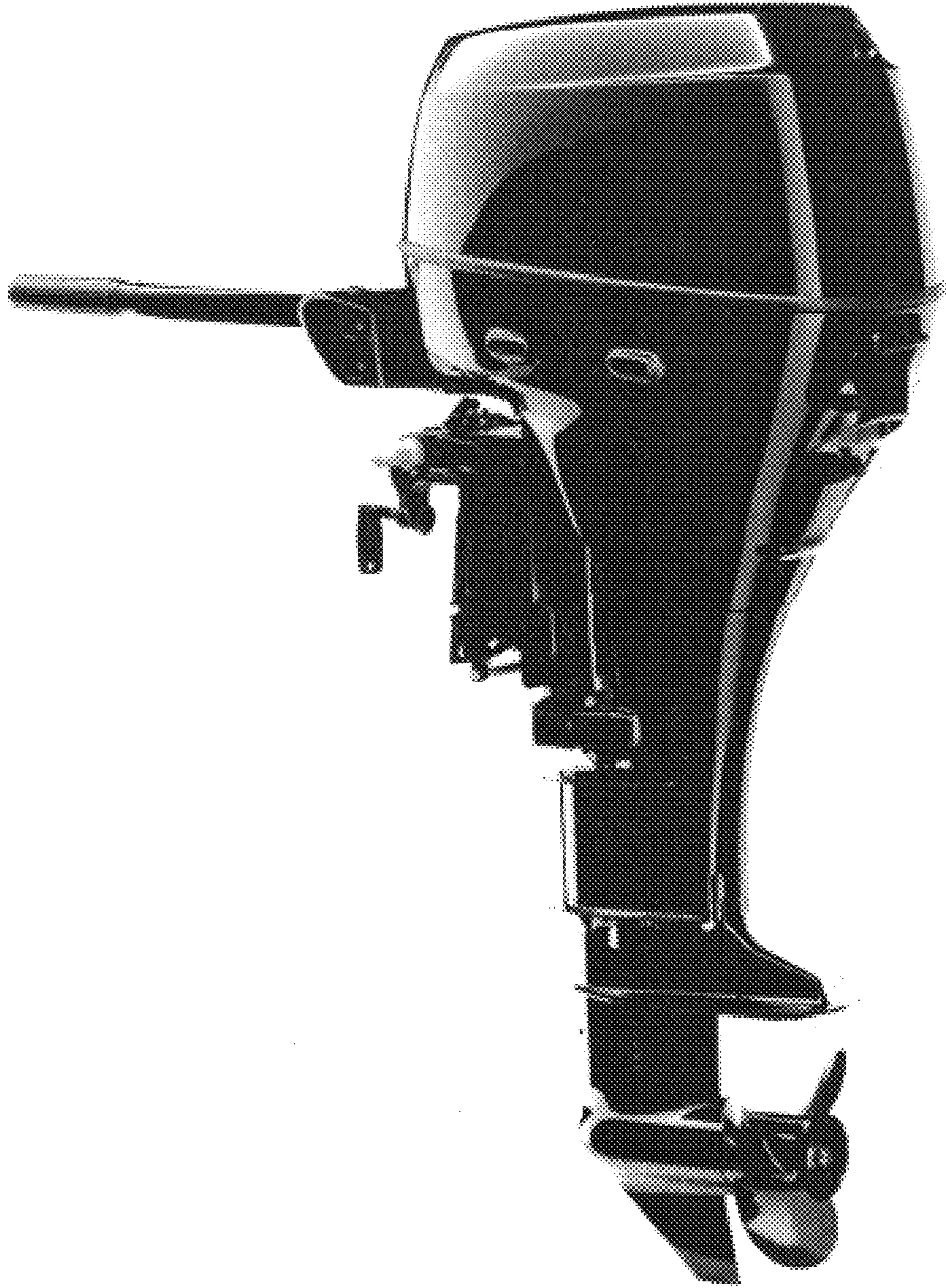


FIG. 1

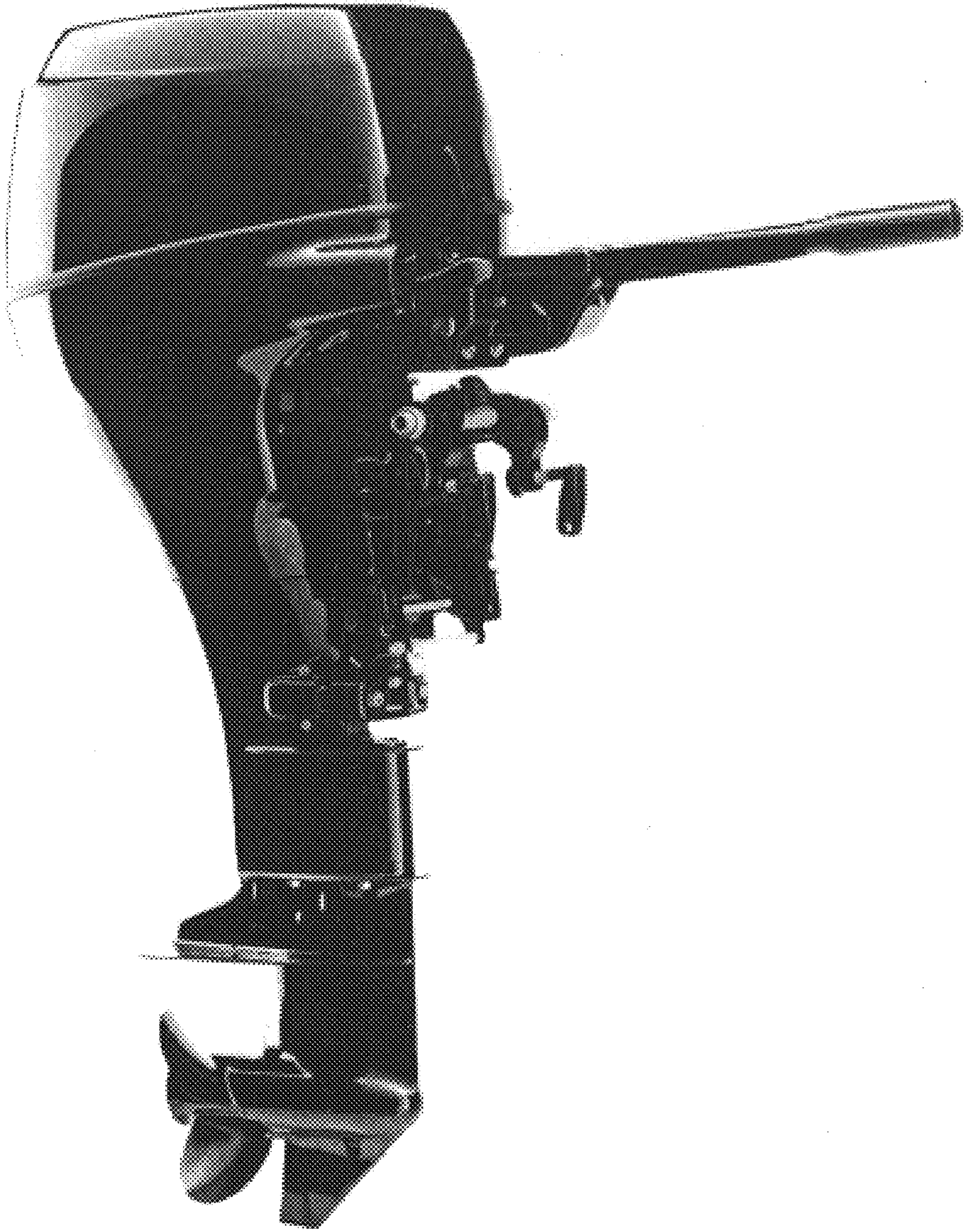


FIG. 2

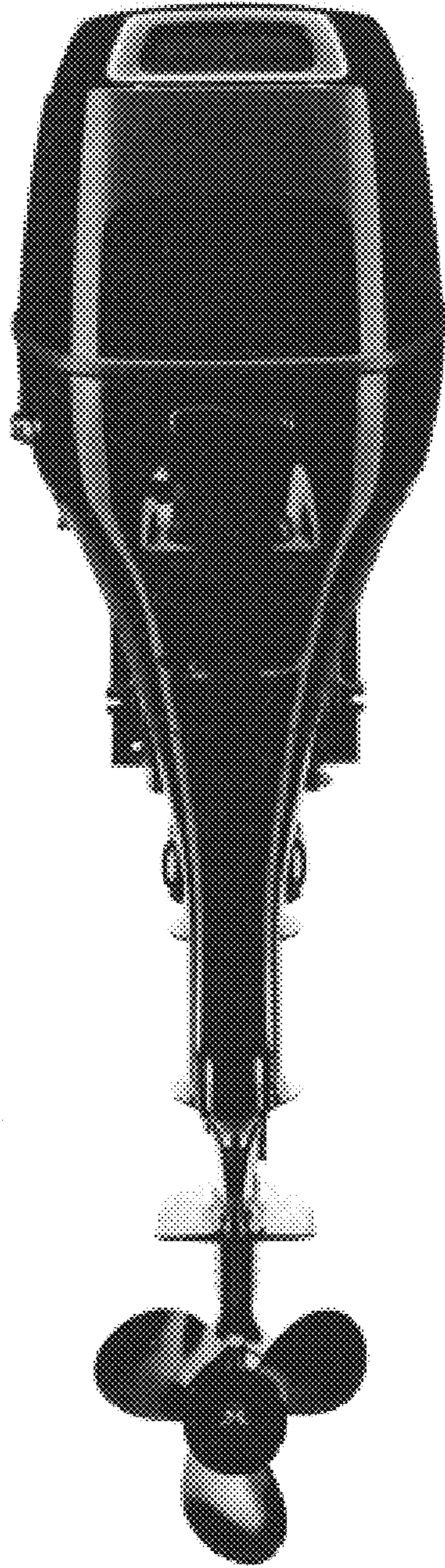


FIG. 3

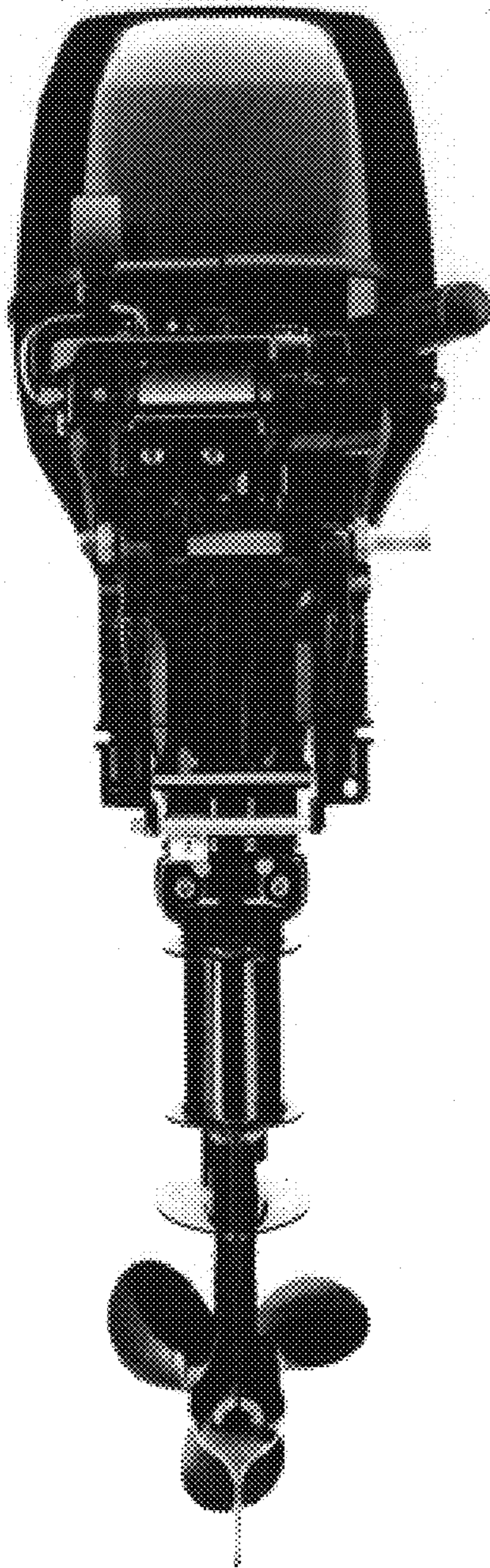


FIG. 4

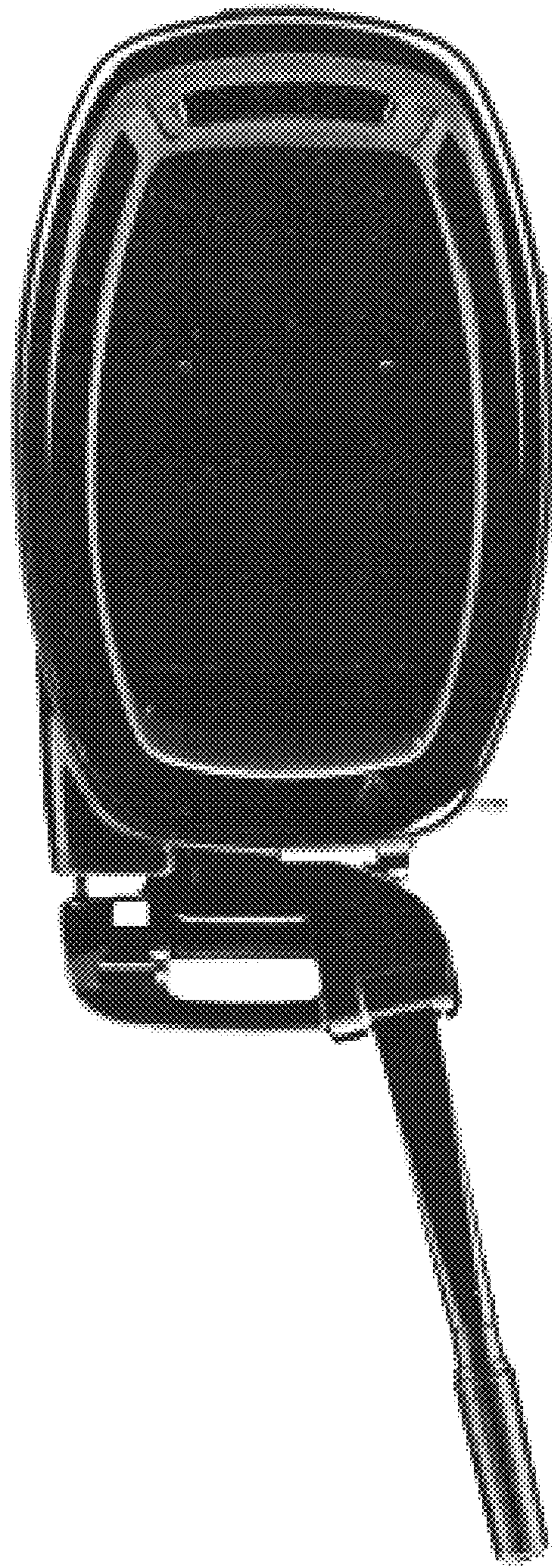


FIG. 5

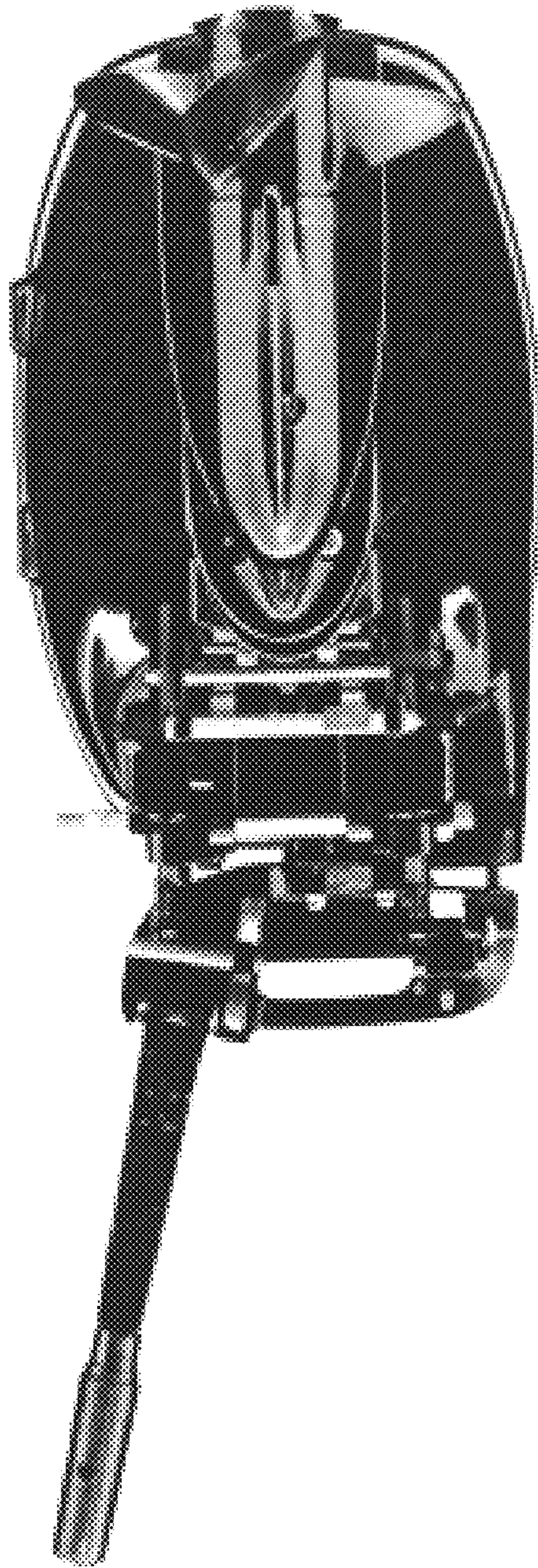


FIG. 6

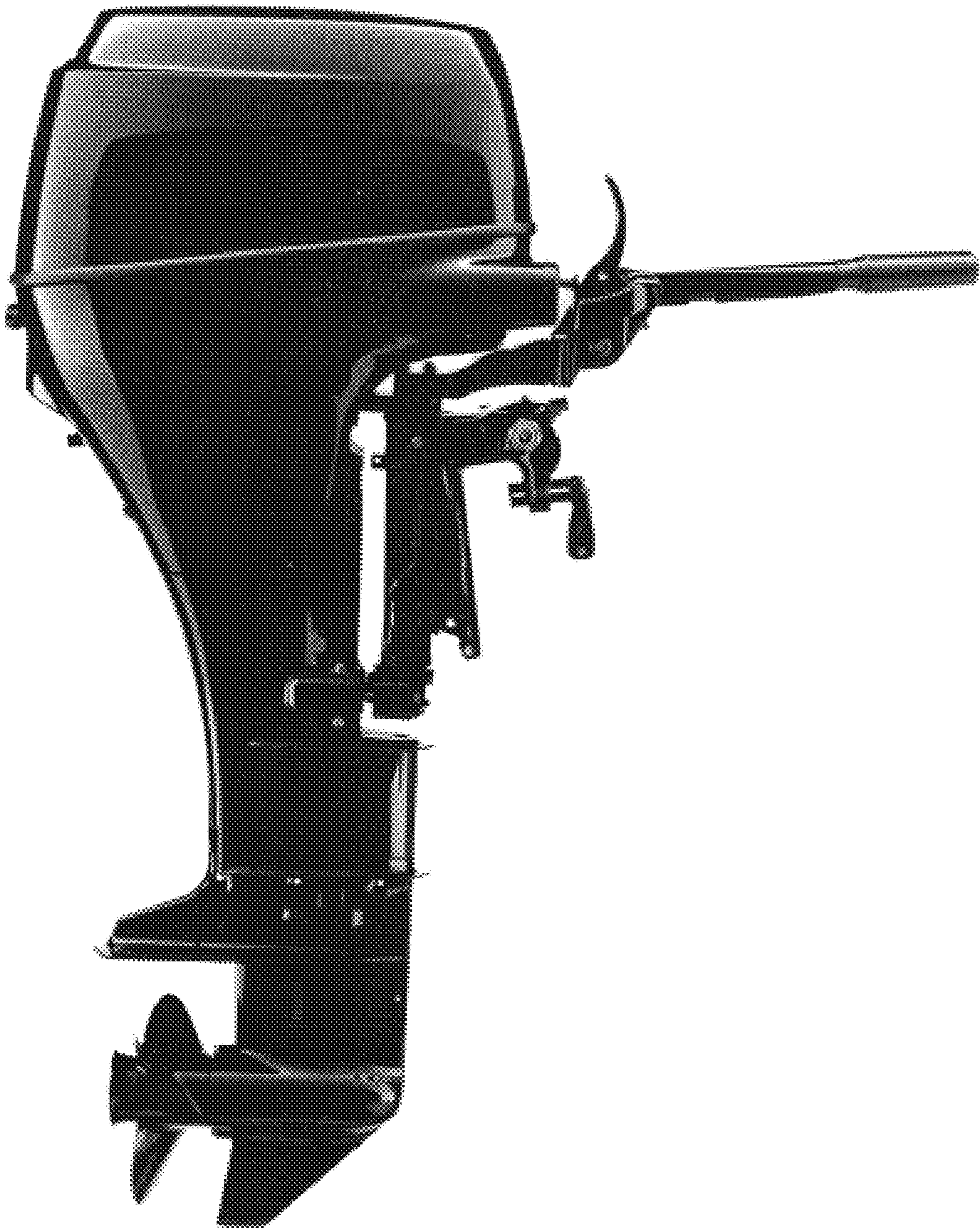


FIG. 7

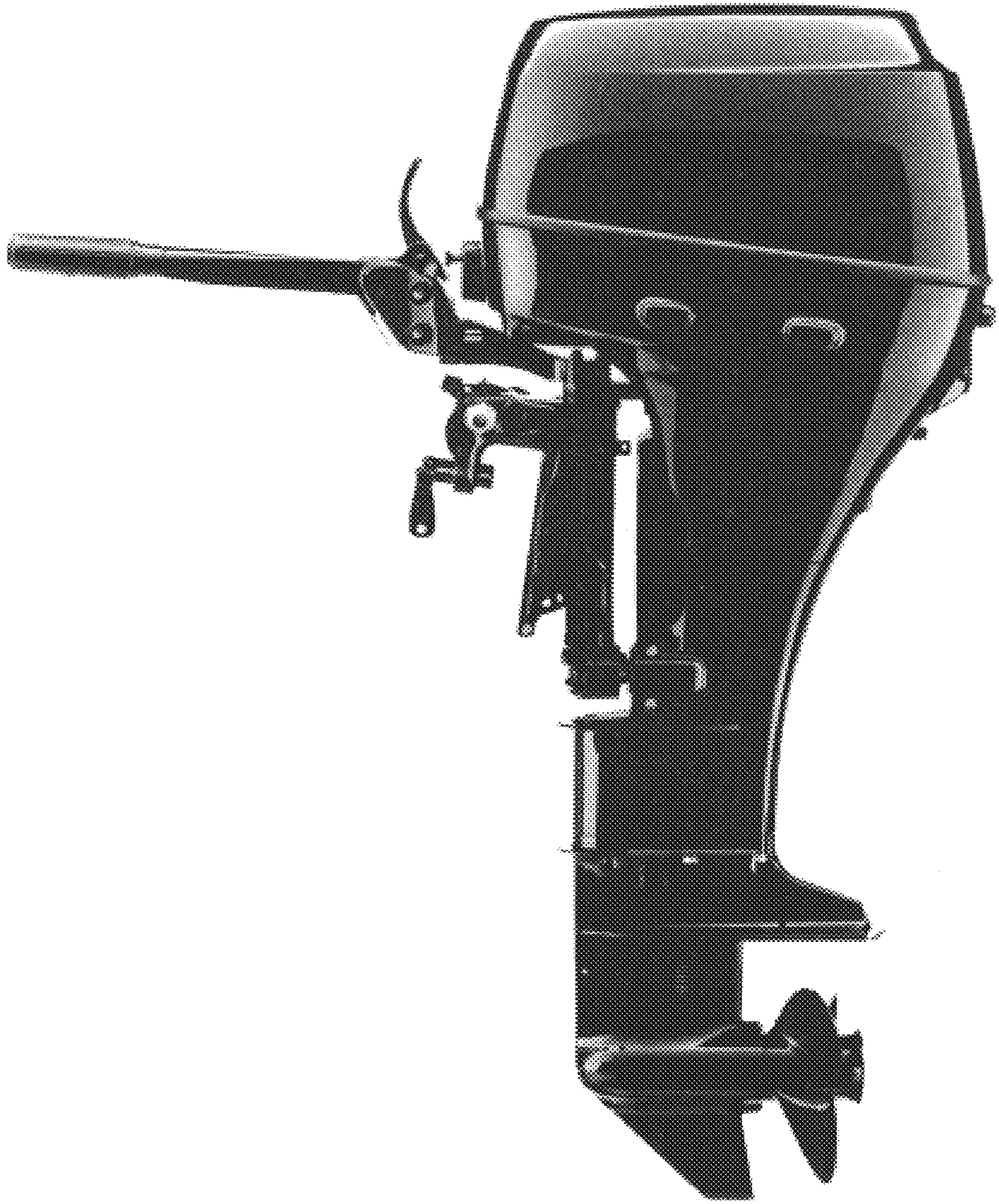


FIG. 8