



US00D425520S

United States Patent [19] Liao

[11] **Patent Number: Des. 425,520**

[45] **Date of Patent: ** May 23, 2000**

[54] **COMPUTER BEZEL**

D. 407,078 3/1999 Fu D14/114

[75] Inventor: **Nien-Chiang Liao**, Taipei, Taiwan

Primary Examiner—Freda Nunn
Attorney, Agent, or Firm—Wei Te Chung

[73] Assignee: **Hon Hai Precision Ind. Co., Ltd.**,
Taipei Hsien, Taiwan

[57] **CLAIM**

[**] Term: **14 Years**

The ornamental design for a computer bezel, as shown and described.

[21] Appl. No.: **29/108,497**

DESCRIPTION

[22] Filed: **Jul. 27, 1999**

FIG. 1 is a perspective view of a computer bezel showing my new design;

[51] **LOC (7) Cl.** **14-02**

FIG. 2 is a front elevational view thereof;

[52] **U.S. Cl.** **D14/441**

FIG. 3 is a rear elevational view thereof;

[58] **Field of Search** D14/100, 102,

D14/107-109, 114, 257, 258; D10/103;

D13/162, 184, 164, 199, 177; 312/232.2;

361/600, 622, 724-728

FIG. 4 is a left side elevational view thereof;

FIG. 5 is a right side elevational view thereof;

FIG. 6 is a top plan view thereof;

FIG. 7 is a bottom plan view thereof; and,

FIG. 8 is a perspective view thereof attached to a computer which is shown in broken lines for illustrative purposes only and forms no part of the claimed design.

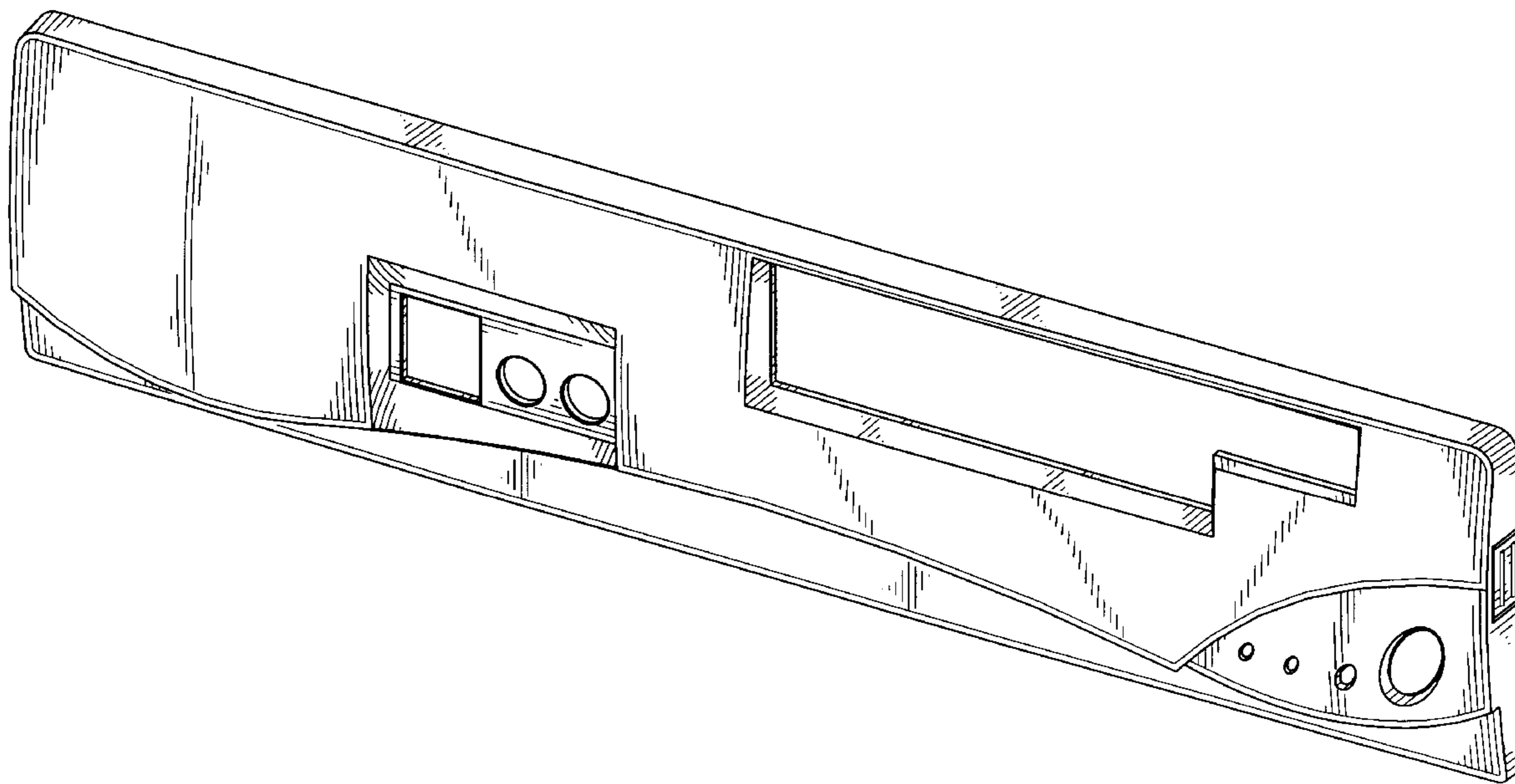
[56] **References Cited**

U.S. PATENT DOCUMENTS

D. 314,568 2/1991 Martin D14/115

D. 363,477 10/1995 Tinsley, Jr. et al. D14/115

1 Claim, 6 Drawing Sheets



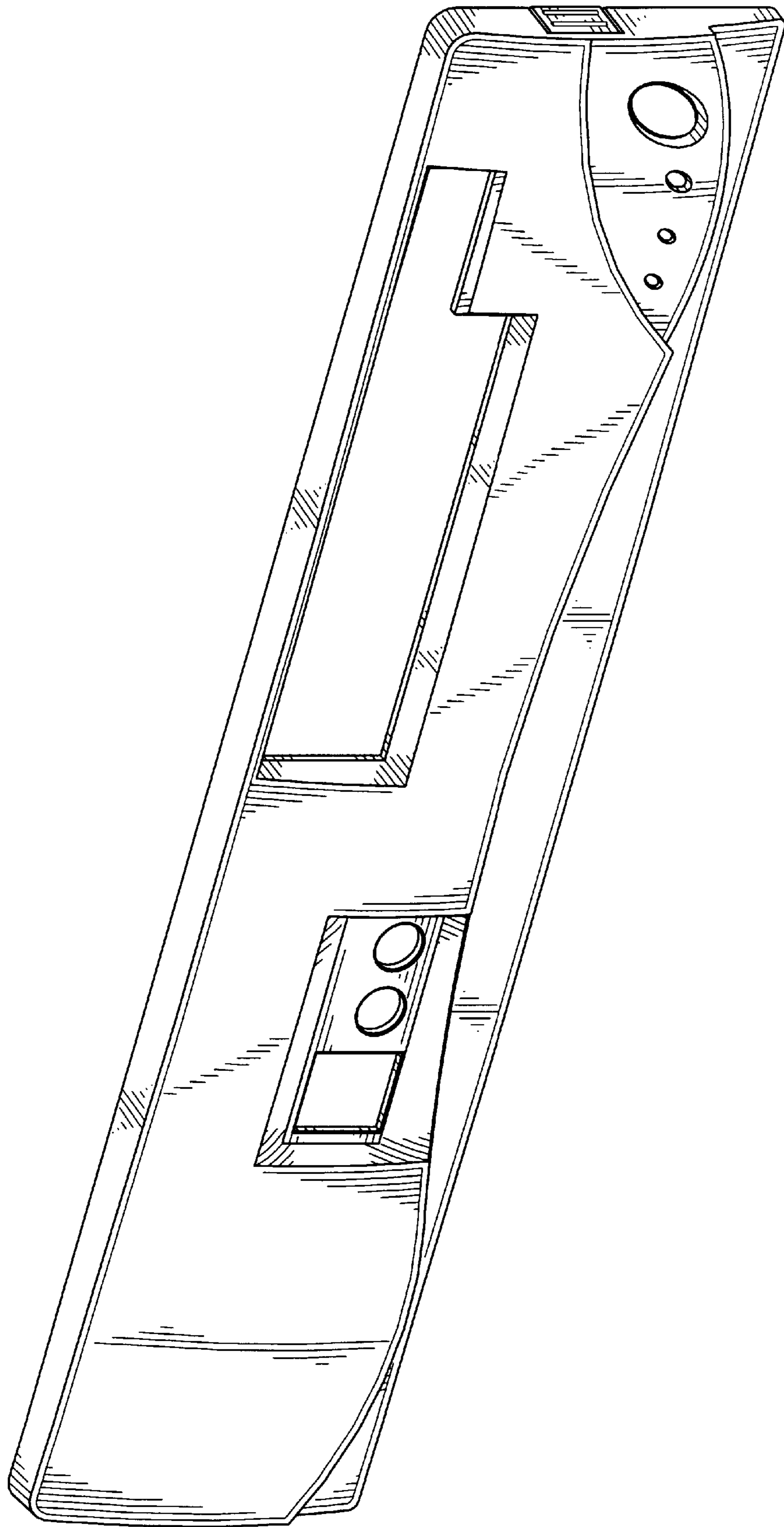


FIG.1

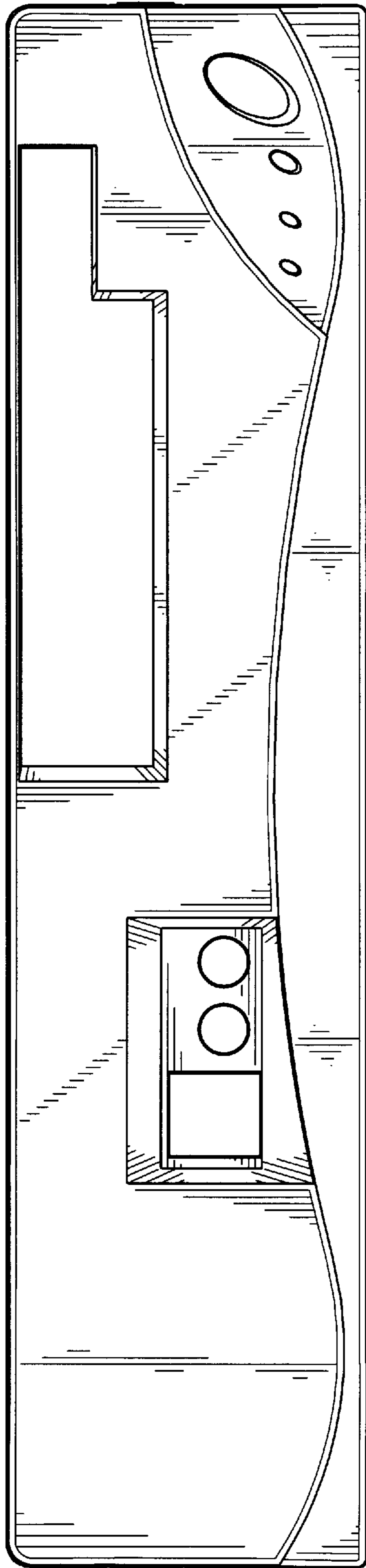


FIG. 2

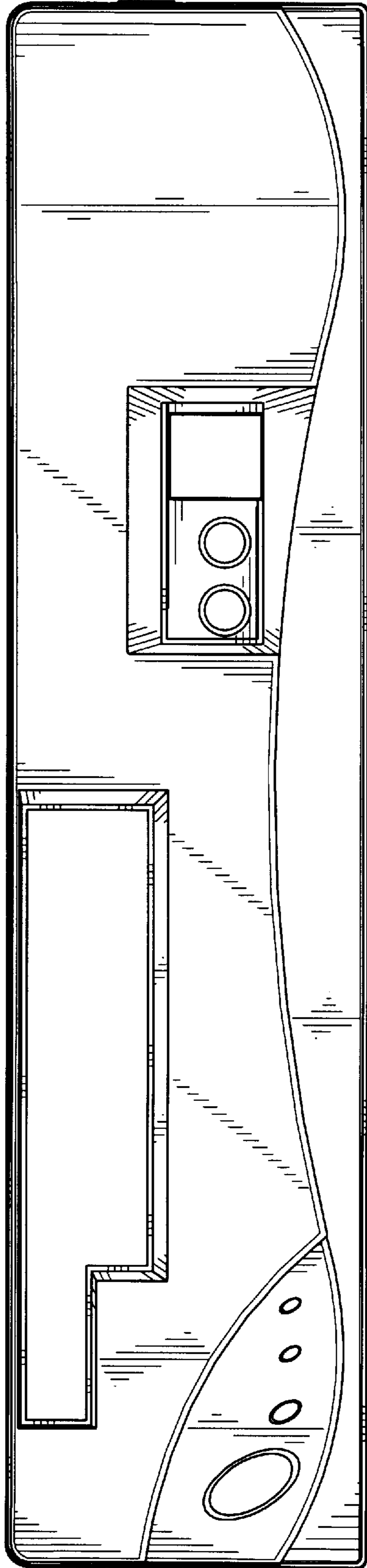


FIG.3



FIG. 5

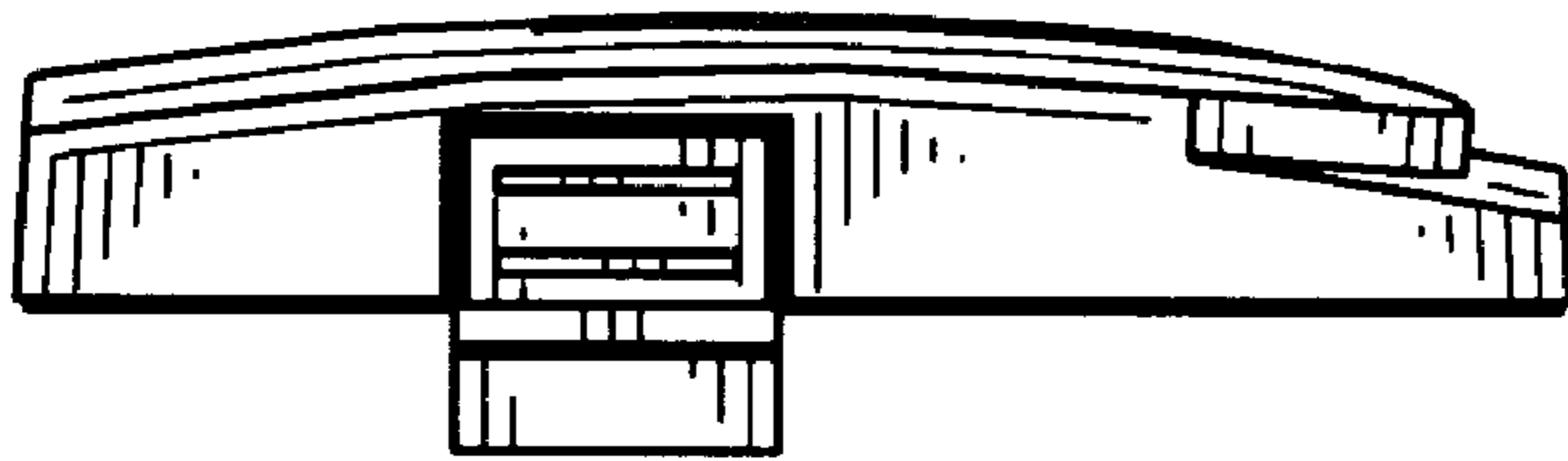


FIG. 4

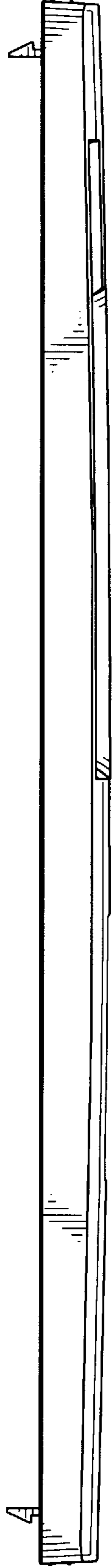


FIG. 6

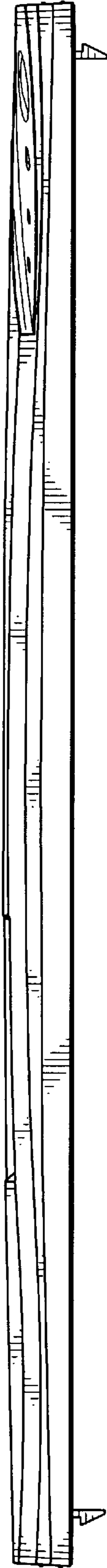


FIG. 7

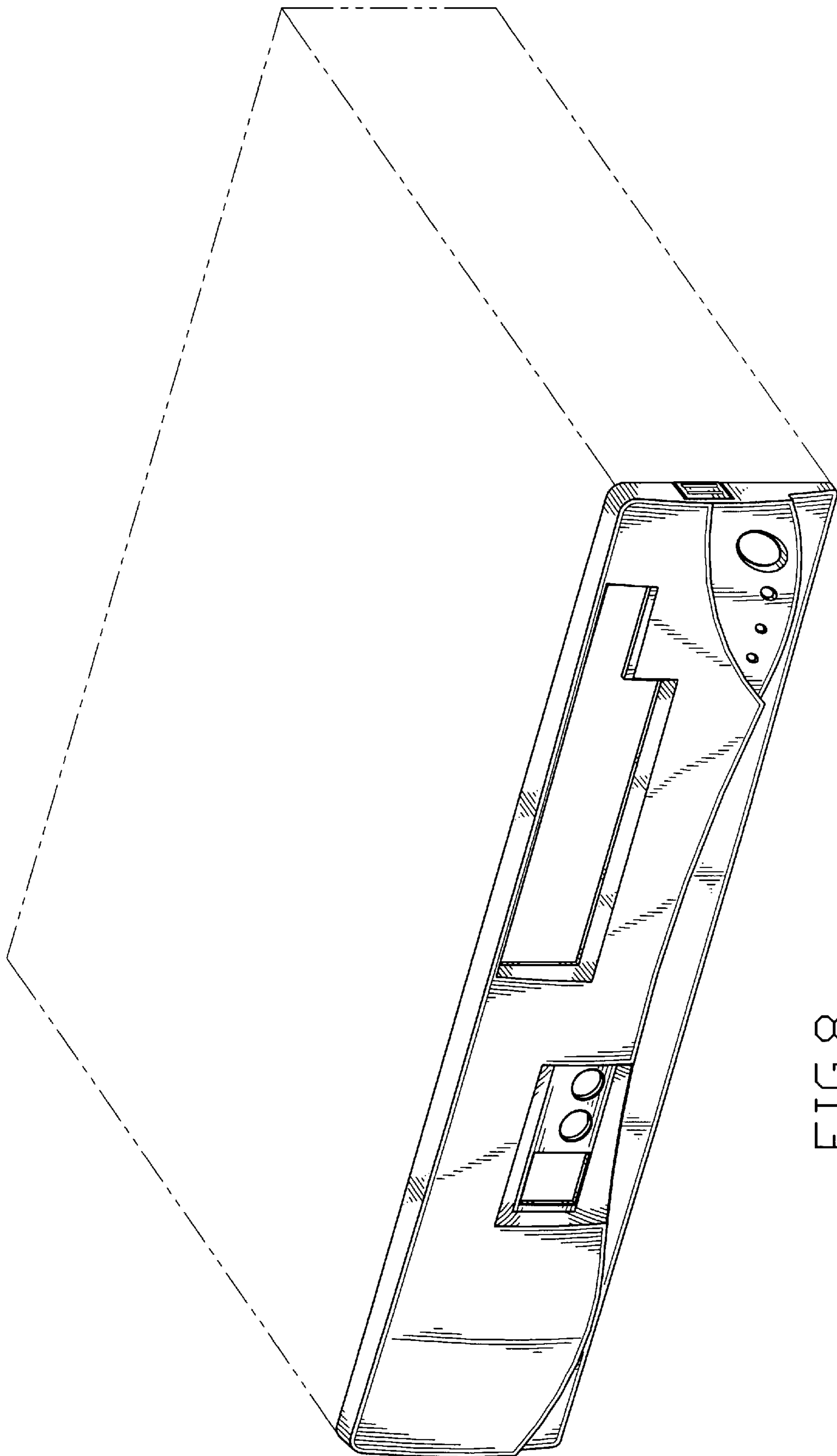


FIG. 8