



US00D425517S

United States Patent [19]

Wheatley et al.

[11] Patent Number: **Des. 425,517**

[45] Date of Patent: **** May 23, 2000**

[54] **CONTAINER FOR COMMUNICATIONS EQUIPMENT**

[75] Inventors: **David J Wheatley; Anthony C Douglas; Ron E Corbett**, all of Saffon Walden, United Kingdom

[73] Assignee: **Northern Telecom Limited**, Montreal, Canada

[**] Term: **14 Years**

[21] Appl. No.: **29/089,324**

[22] Filed: **Jun. 12, 1998**

[30] **Foreign Application Priority Data**

Jan. 21, 1998 [GB] United Kingdom 2071859

[51] **LOC (7) Cl.** **14-03**

[52] **U.S. Cl.** **D14/240; D14/242**

[58] **Field of Search** **D3/272, 273; D14/214, D14/240, 242, 299; D13/184; 379/419, 420, 428**

[56] **References Cited**

U.S. PATENT DOCUMENTS

- D. 330,888 11/1992 Worley D14/240
- D. 337,770 7/1993 Johnson D14/240
- D. 338,469 8/1993 Alden et al. D14/240

- D. 346,606 5/1994 Harris et al. D14/242
- D. 363,722 10/1995 Aldridge et el. D14/240
- D. 380,199 6/1997 Beruscha et al. D14/242
- D. 380,475 7/1997 Ramussen D14/240
- D. 392,644 3/1998 McGugan D14/240
- D. 393,644 4/1998 Cho et al. D14/240

Primary Examiner—Philip S. Hyder
Attorney, Agent, or Firm—Lee, Mann, Smith, McWilliams, Sweeney & Ohlson

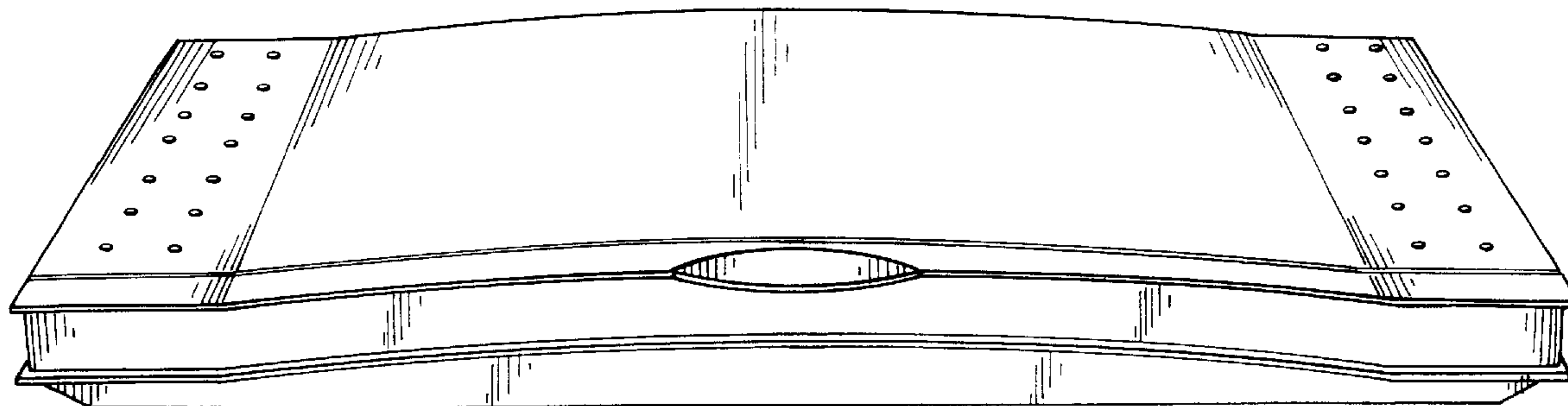
[57] **CLAIM**

The ornamental design for a container for communications equipment, as shown and described.

DESCRIPTION

FIG. 1 is a front isometric view of a first embodiment of the container for communications equipment;
 FIG. 2 is a right side elevational view thereof, wherein the left side elevational view is a mirror image thereof;
 FIG. 3 is an isometric view of the first embodiment;
 FIG. 4 is a front isometric view of a second embodiment;
 FIG. 5 is a right side elevational view of the second embodiment thereof, wherein the left side view is a mirror image thereof;
 FIG. 6 is an isometric view of the second embodiment; and,
 FIG. 7 is a top plan view of the container for communications equipment, both embodiments having identical top plan views.

1 Claim, 7 Drawing Sheets



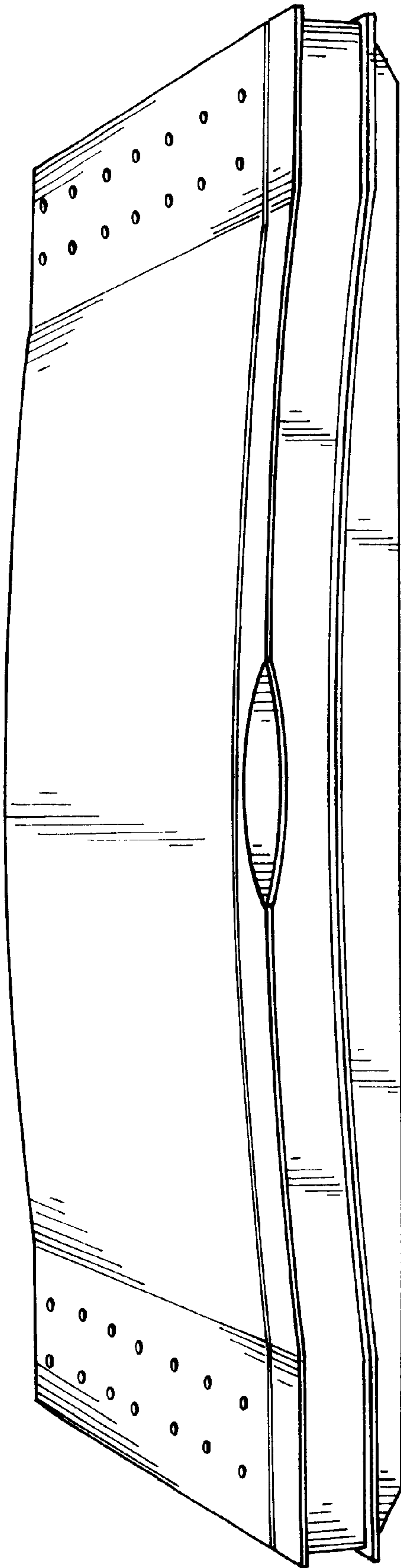


Fig. 1

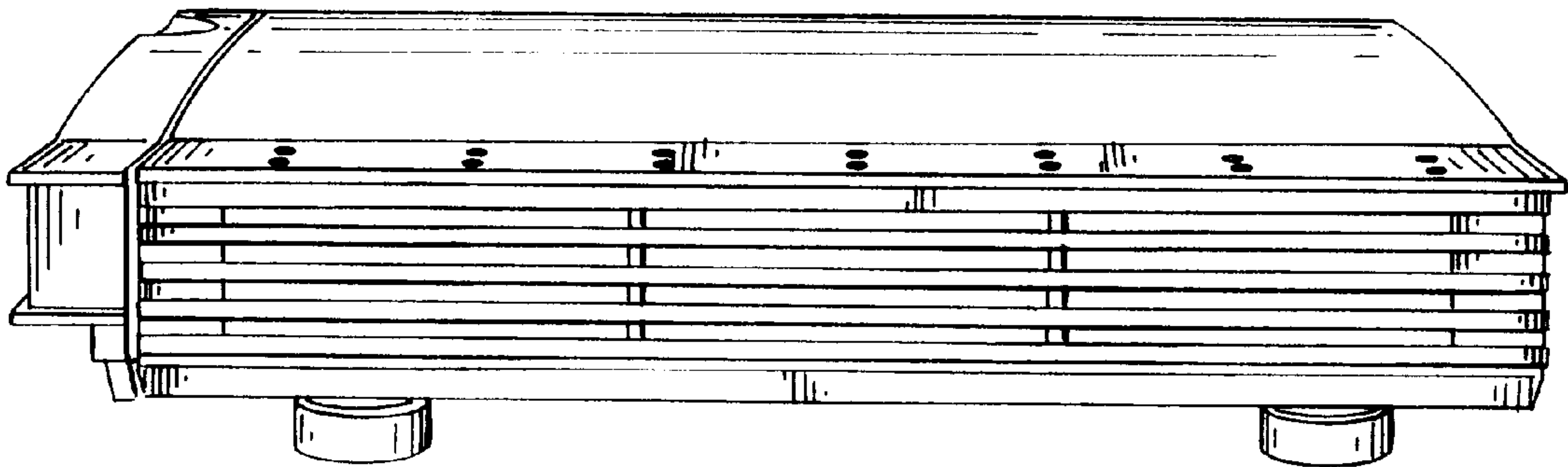


Fig. 2

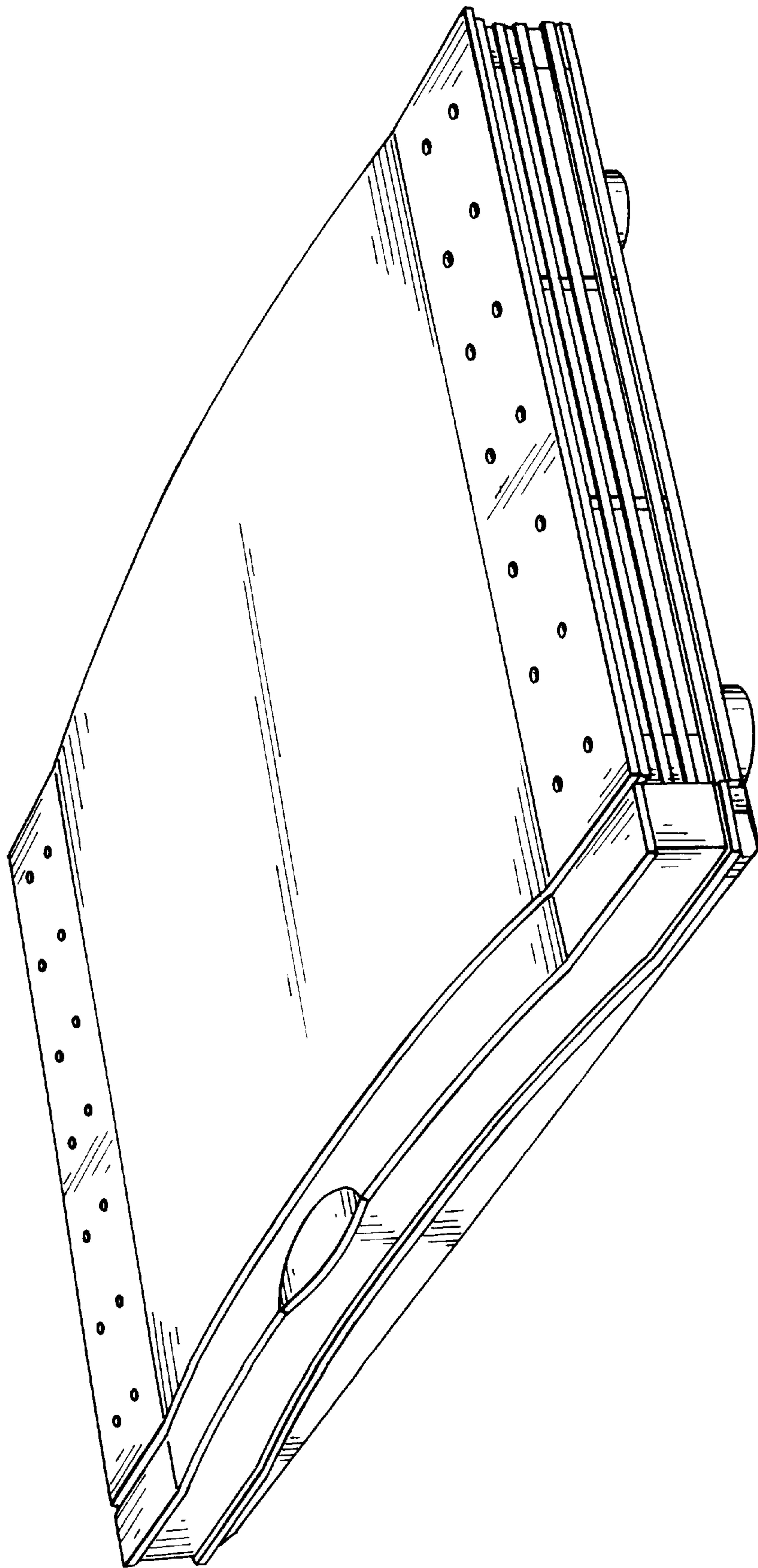


Fig. 3

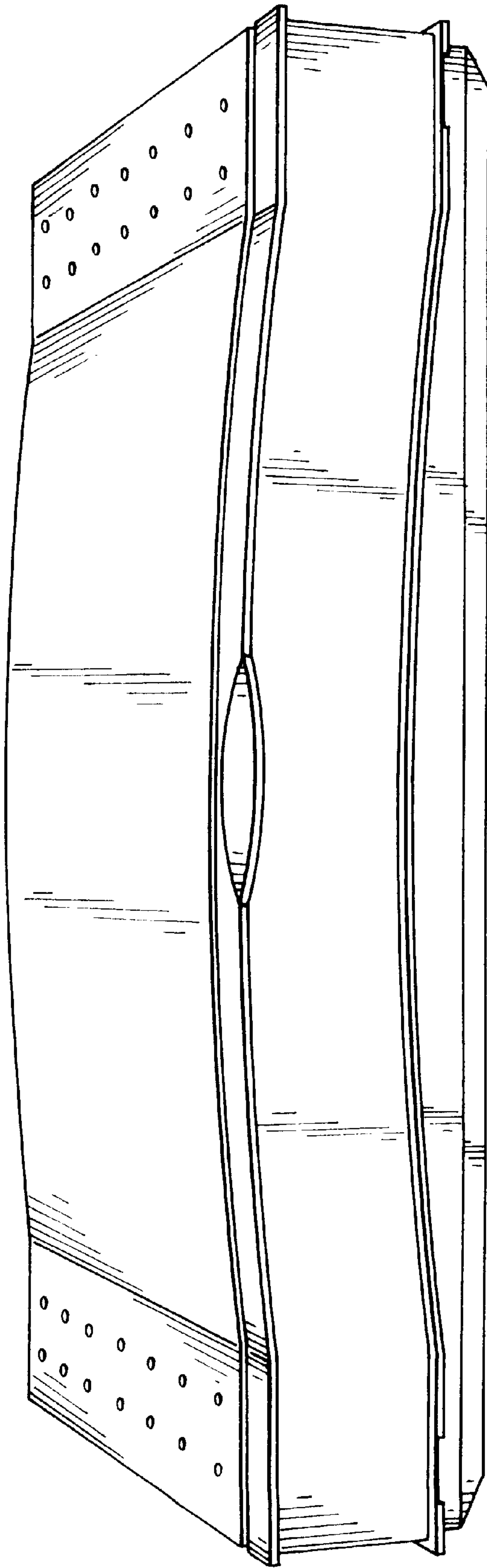


Fig. 4

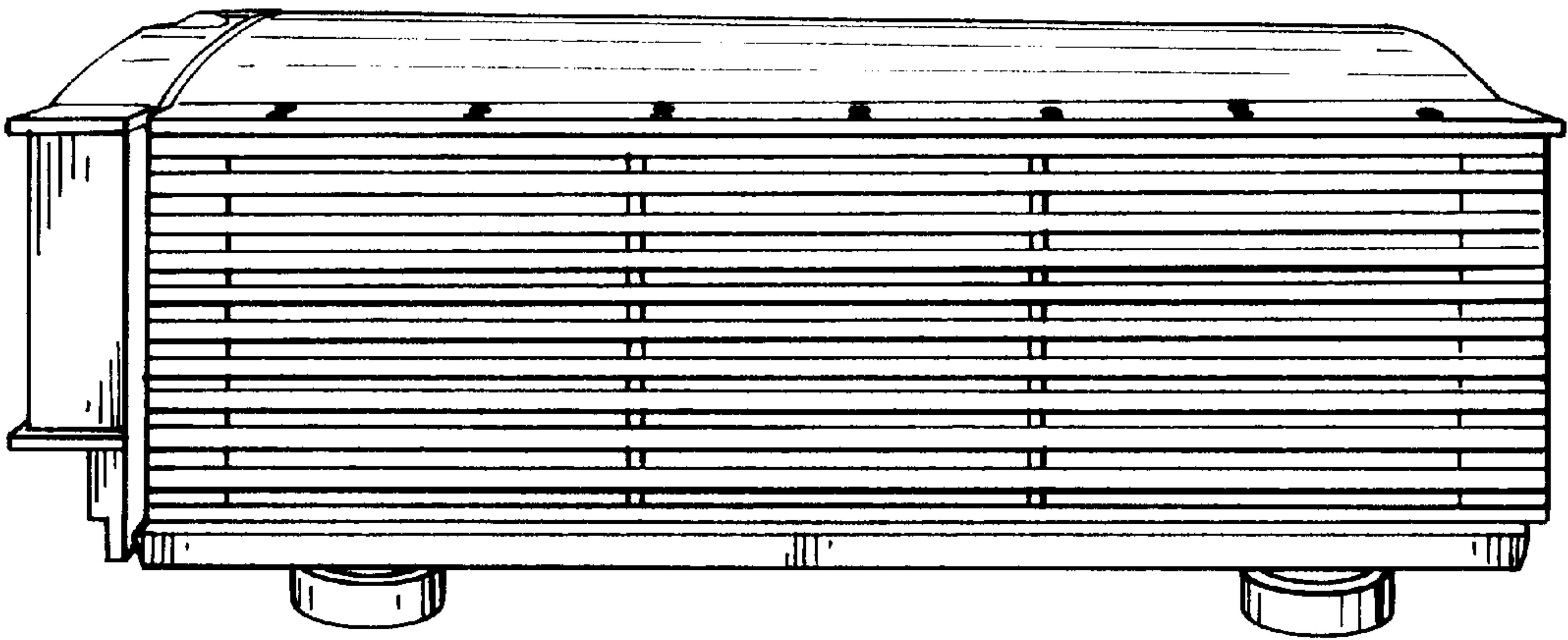


Fig. 5

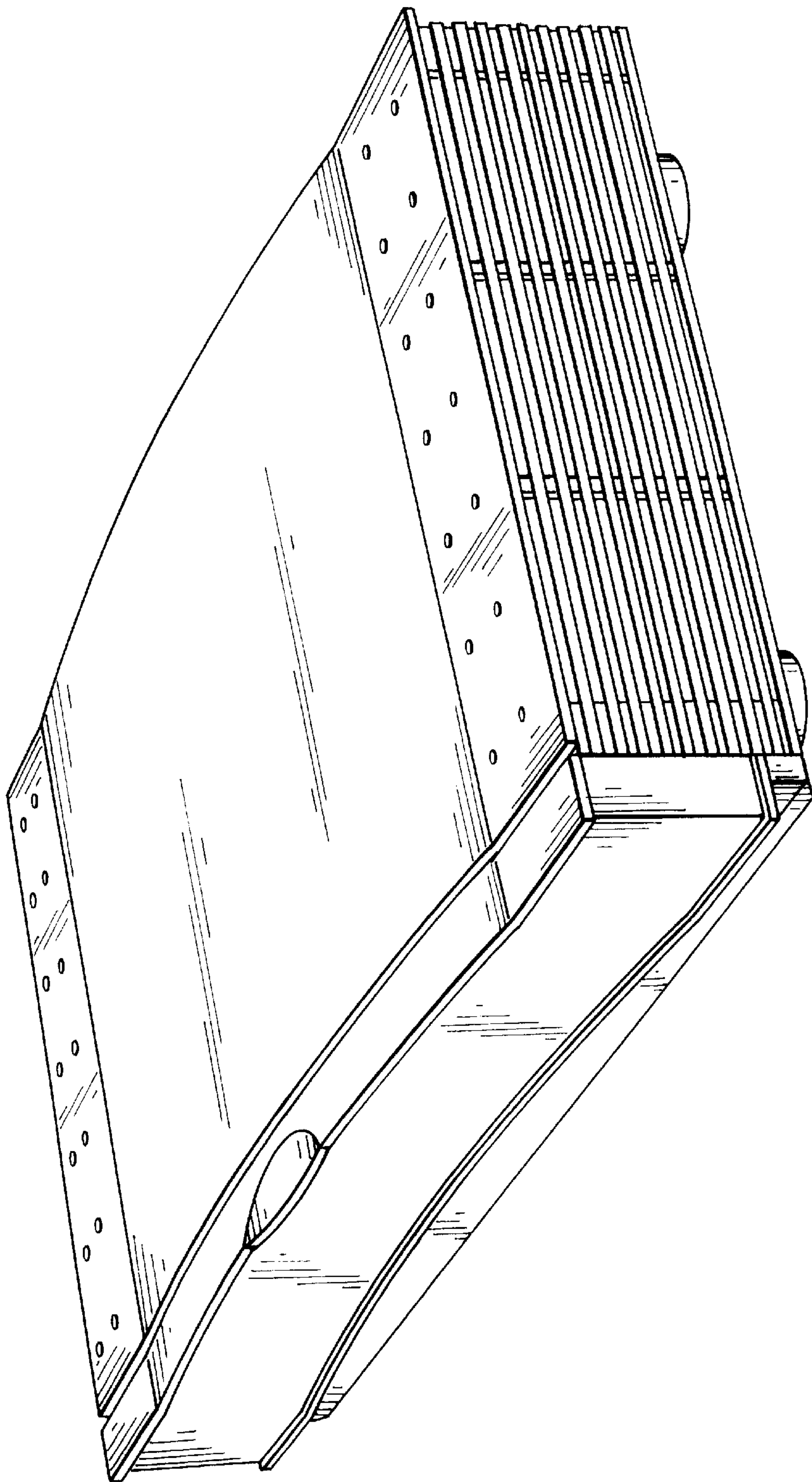


Fig. 6

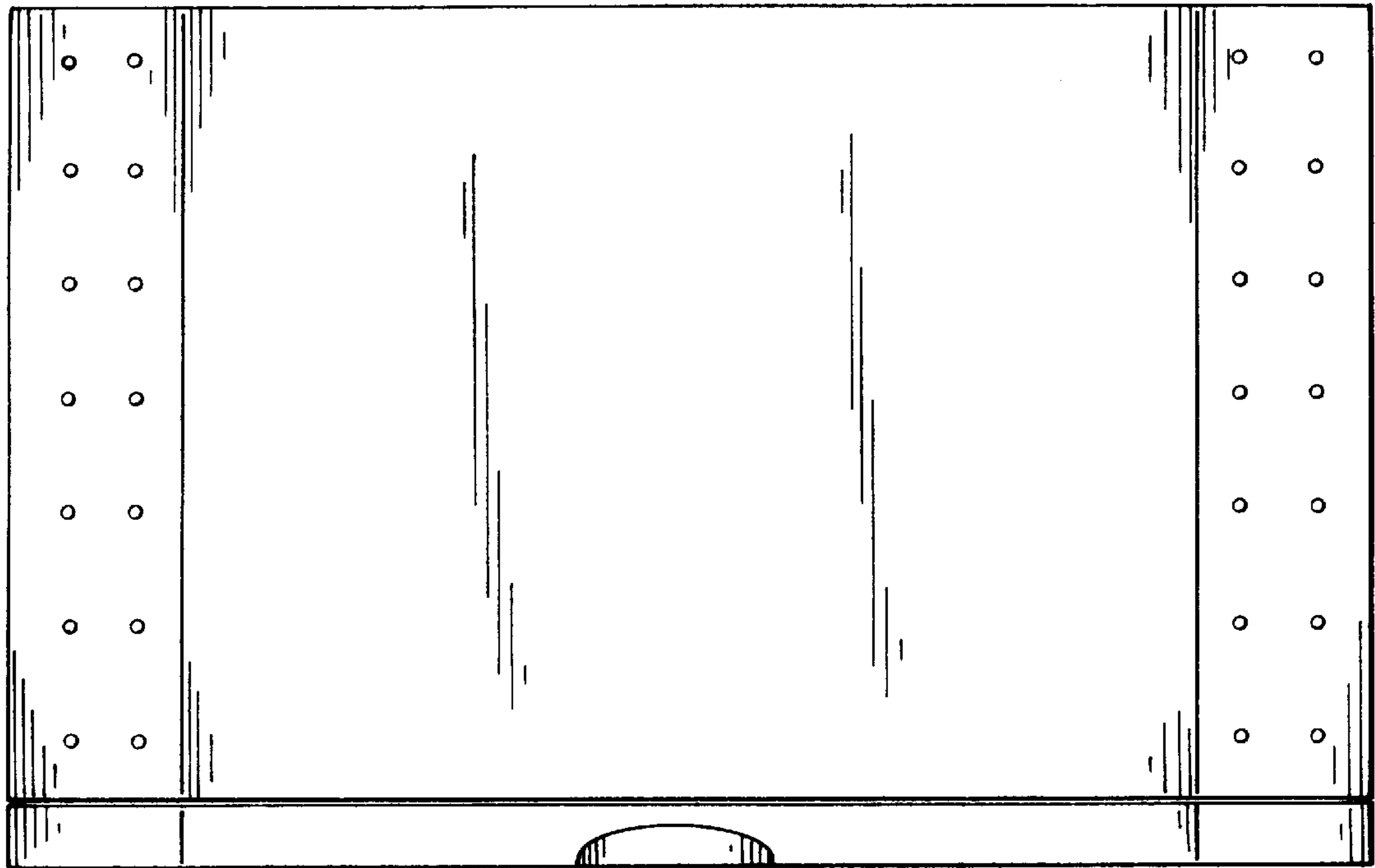


Fig. 7