



US00D425516S

United States Patent [19]

Heiligenstein et al.

[11] Patent Number: **Des. 425,516**

[45] Date of Patent: **** May 23, 2000**

[54] ANTENNA BASE

[75] Inventors: **Luc Heiligenstein; Stephen Melamed,**
both of Chicago, Ill.

[73] Assignee: **Terk Technologies Corporation,** New
York, N.Y.

[**] Term: **14 Years**

[21] Appl. No.: **29/087,877**

[22] Filed: **May 11, 1998**

[51] **LOC (7) Cl.** **14-03**

[52] **U.S. Cl.** **D14/238**

[58] **Field of Search** D14/230-238;
D10/104; 343/888, 805, 882, 872, 873,
878, 793, 741

[56] References Cited

U.S. PATENT DOCUMENTS

D. 320,602	10/1991	Wells et al.	D14/238
D. 357,021	4/1995	Prince	D14/235
D. 365,347	12/1995	Geneve et al.	D14/230
D. 395,407	6/1998	Dwight	D10/104
5,764,194	6/1998	Brown	343/741

FOREIGN PATENT DOCUMENTS

734 286 7/1955 United Kingdom 343/793

Primary Examiner—Louis S. Zarfes

Assistant Examiner—Greg Andoll

Attorney, Agent, or Firm—R. Neil Sudol; Henry D. Coleman

[57] CLAIM

The ornamental design for an antenna base, as shown and described.

DESCRIPTION

FIG. 1 is a top, front, and right side environmental perspective view of an antenna base, showing our new design with the broken line structure being for illustrative purposes only and forming no part of the claimed design;

FIG. 2 is a front elevational view thereof;

FIG. 3 is a rear elevational view thereof;

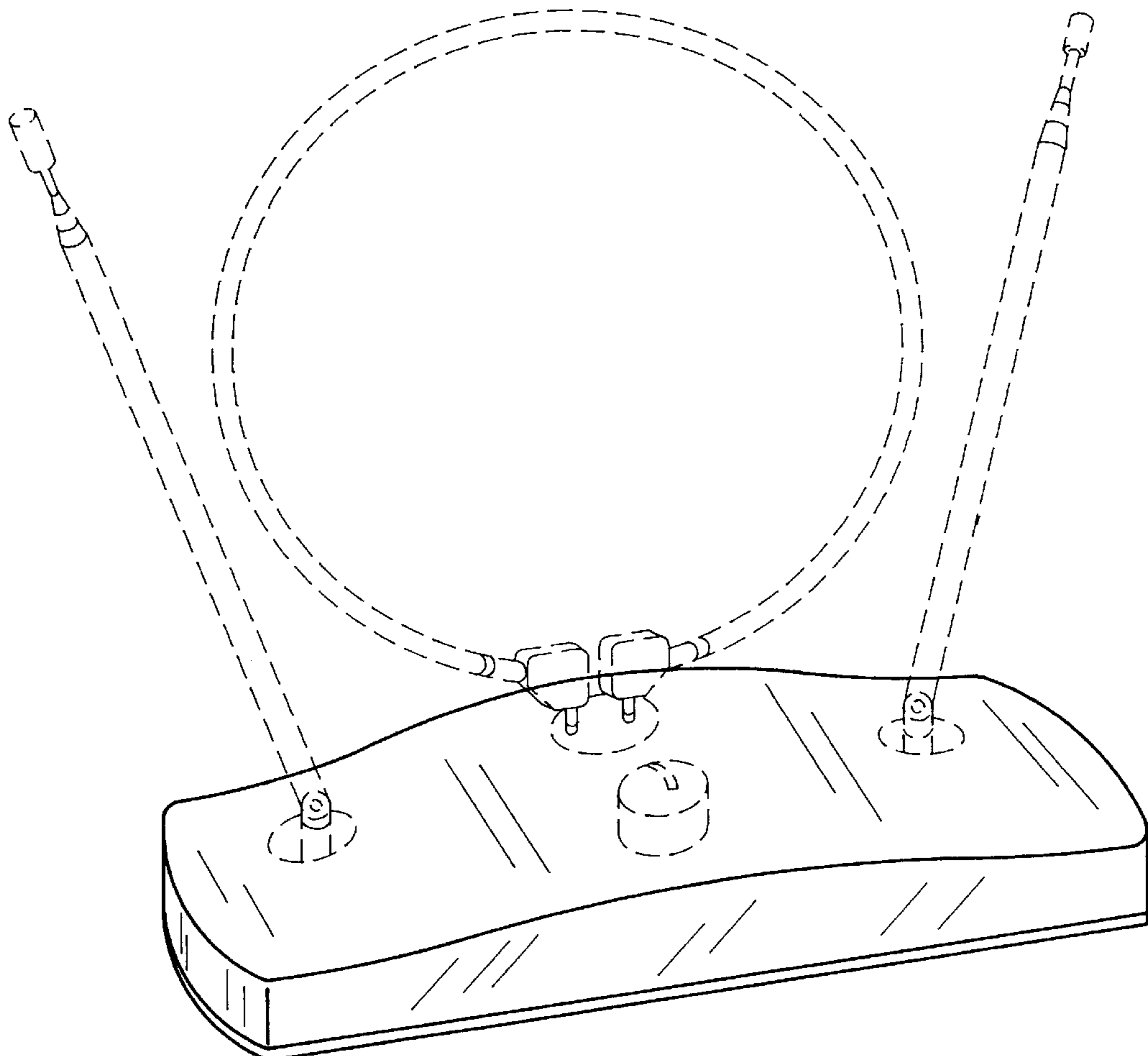
FIG. 4 is a left side elevational view thereof;

FIG. 5 is a right side elevational view thereof;

FIG. 6 is a top plan view thereof; and,

FIG. 7 is a bottom plan view thereof.

1 Claim, 4 Drawing Sheets



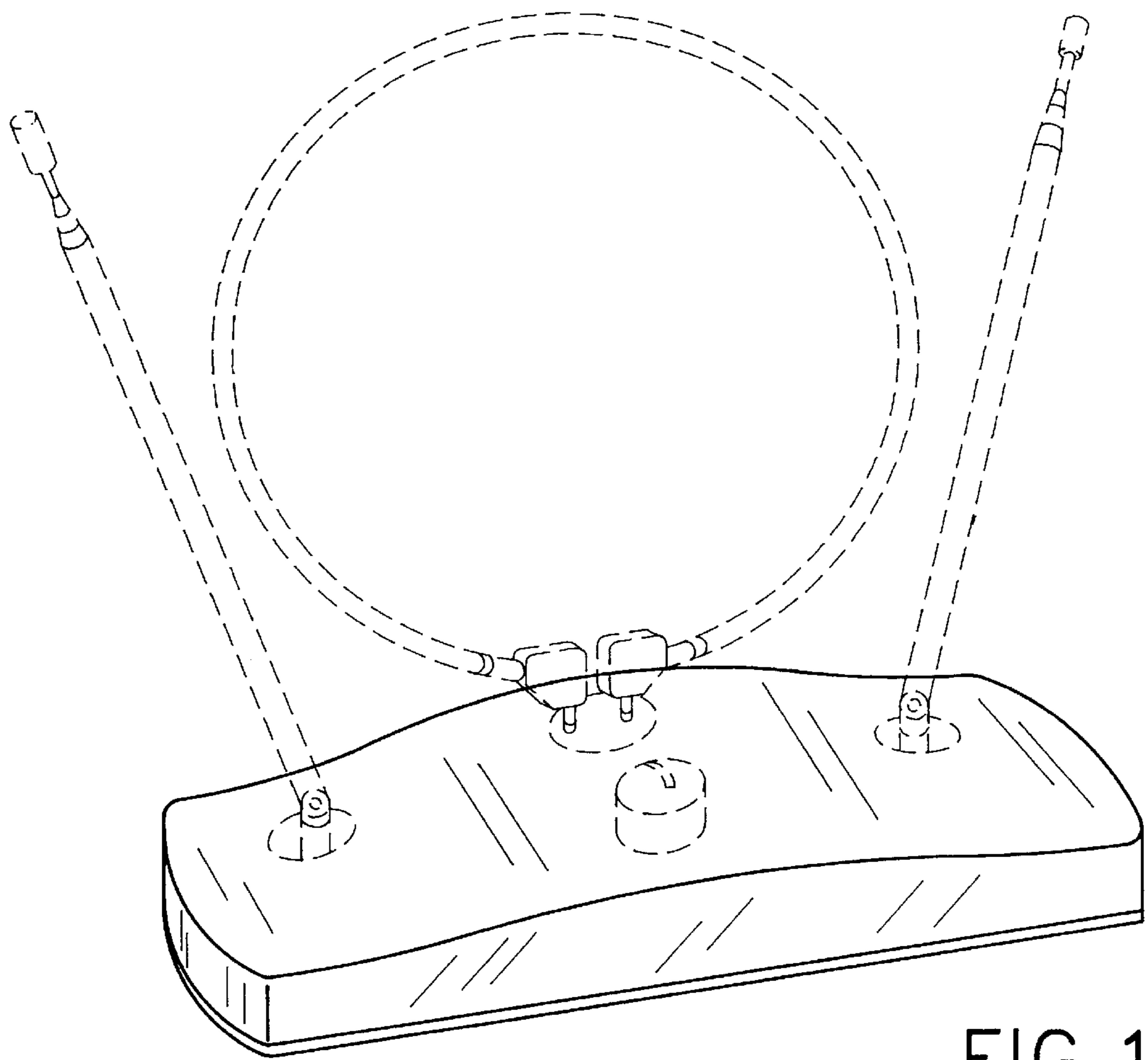


FIG. 1

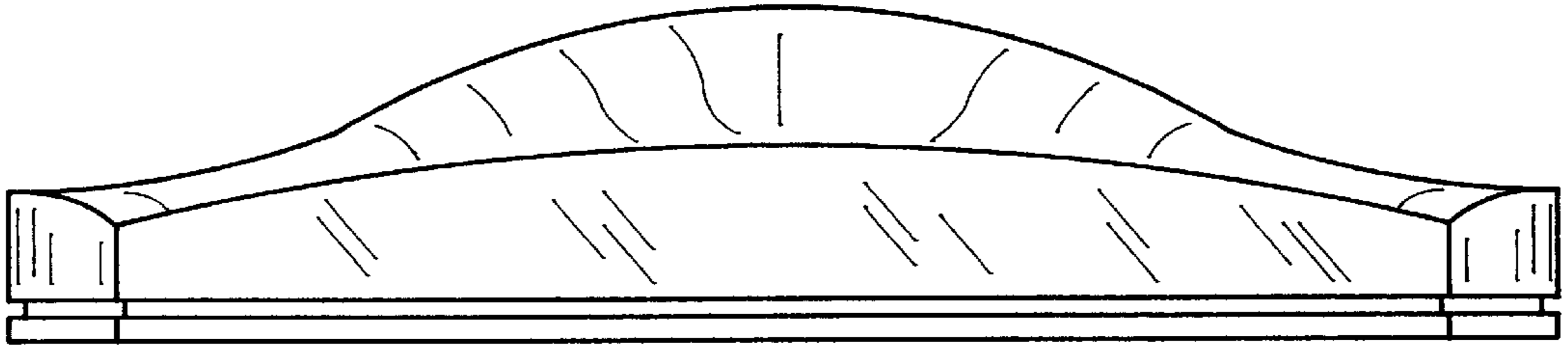


FIG. 2

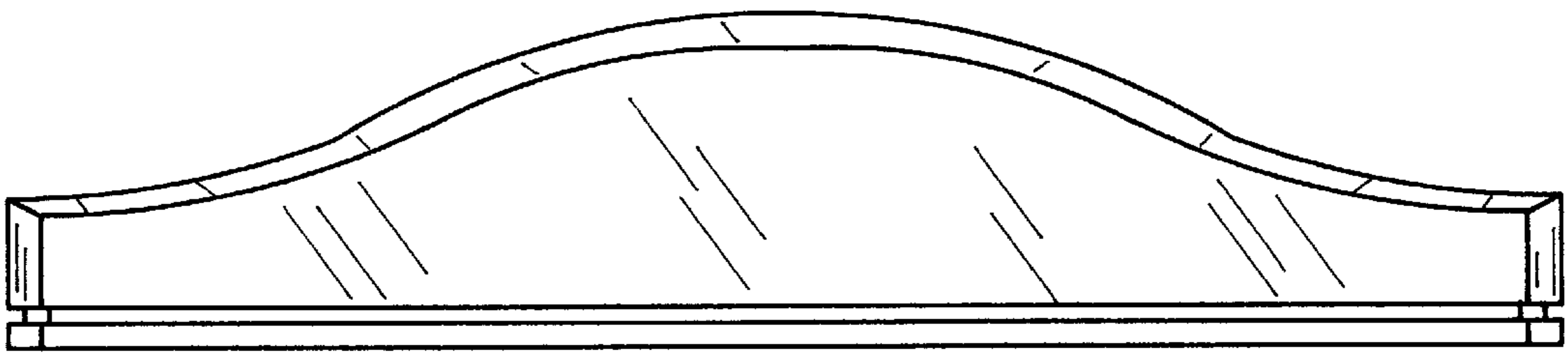


FIG. 3

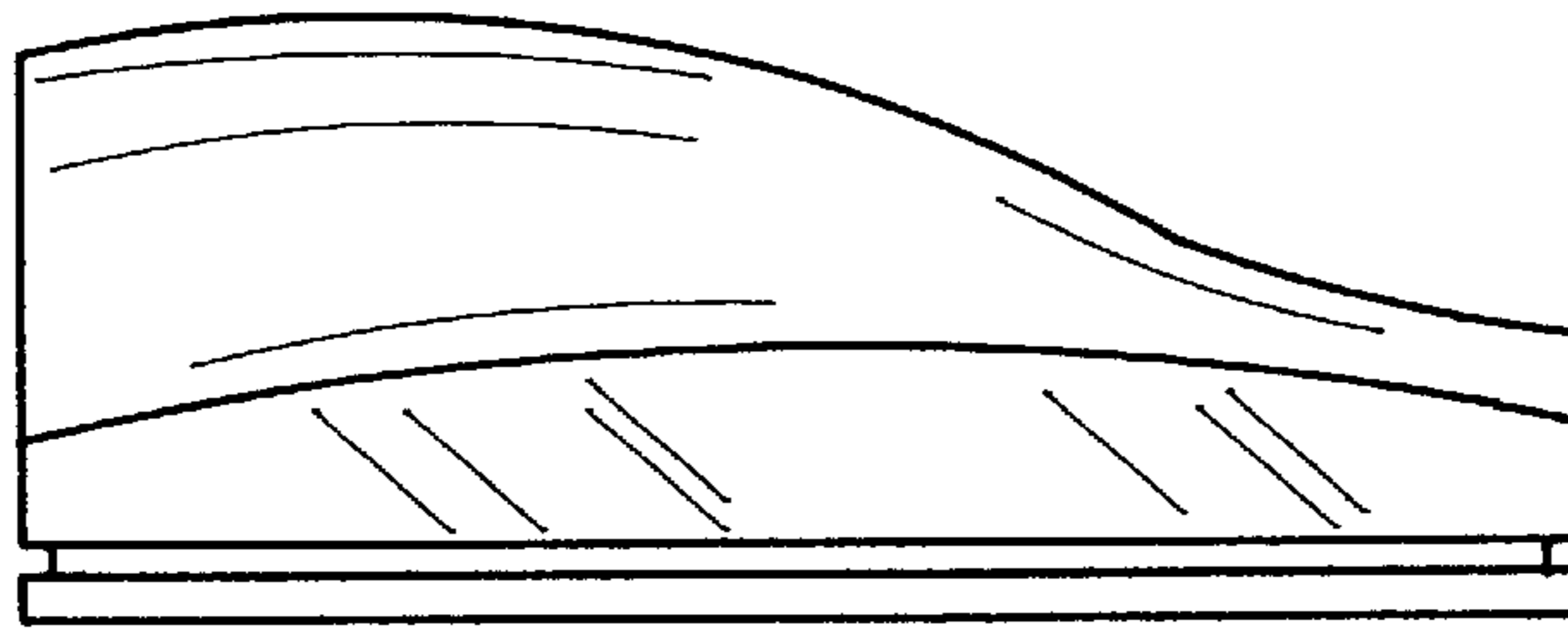


FIG. 4

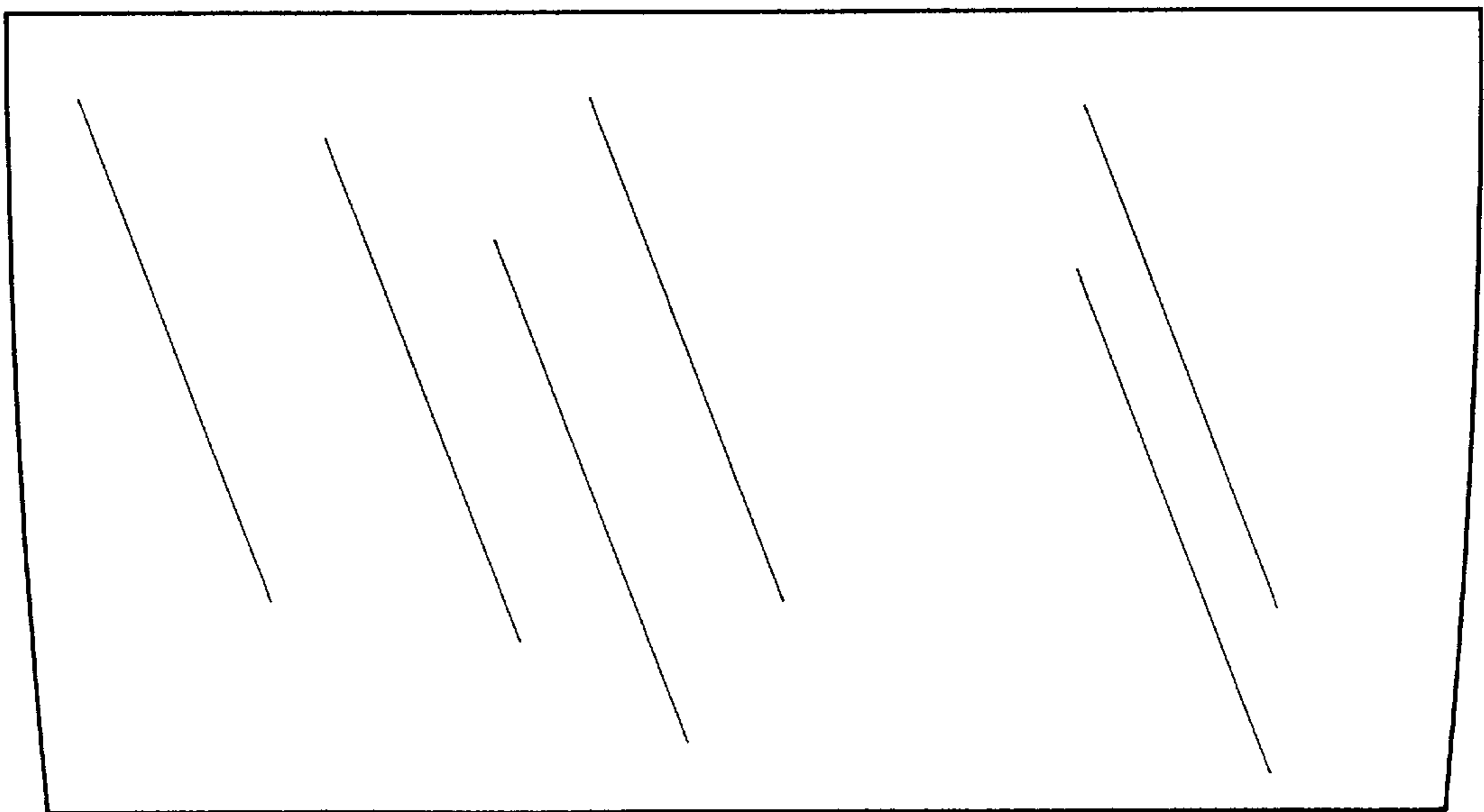


FIG. 7

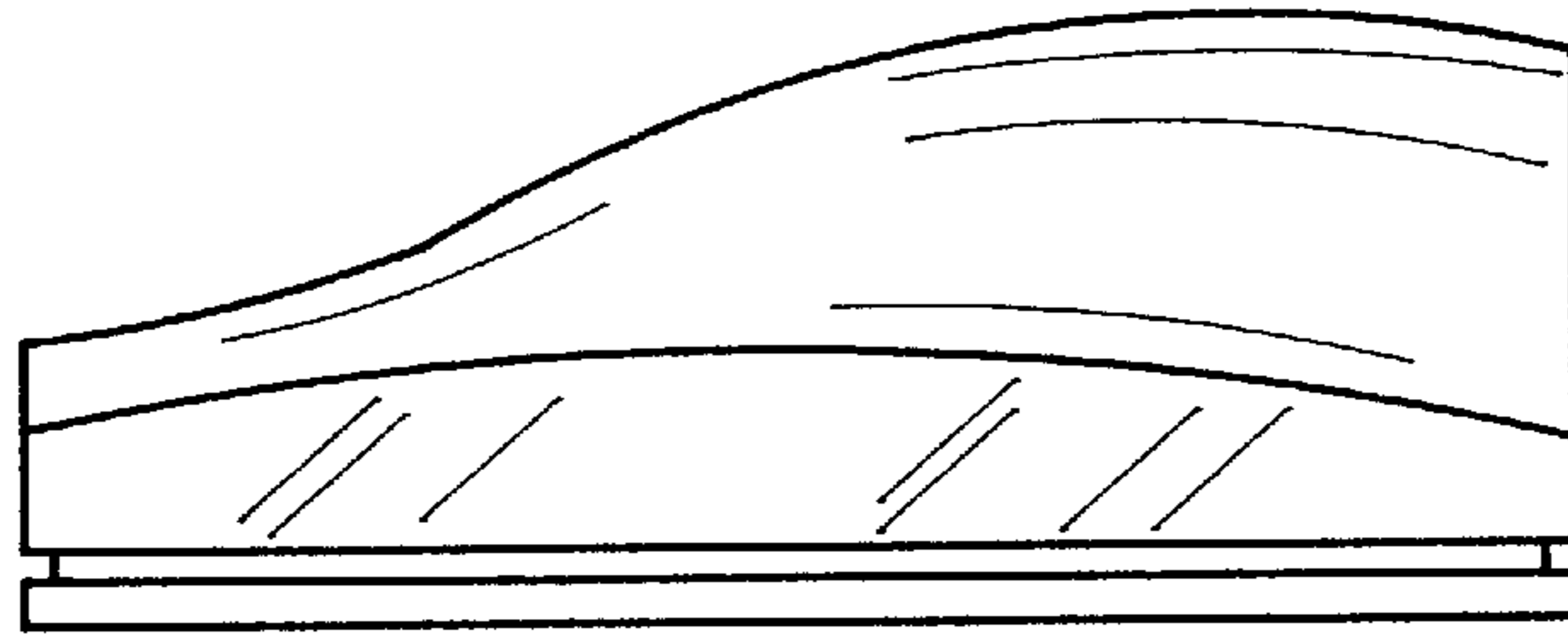


FIG. 5

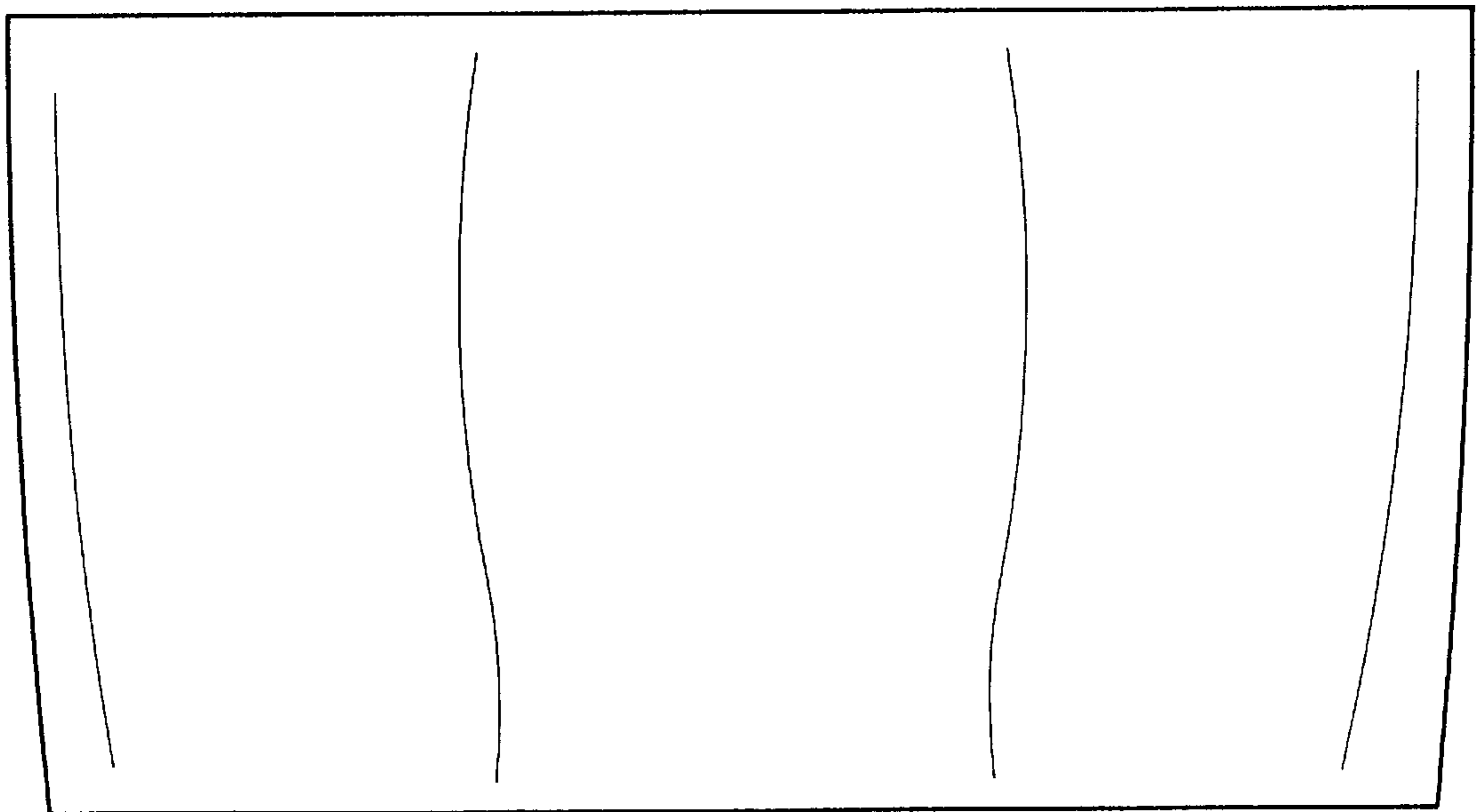


FIG. 6