



US00D425514S

United States Patent [19]

Bai et al.

[11] Patent Number: Des. 425,514

[45] Date of Patent: ** May 23, 2000

[54] ANTENNA STRUCTURE

5,434,586 7/1995 Kinoshita et al. 343/840

[75] Inventors: **Monty W. Bai**, Scottsdale; **Hugh R. Malone**, Phoenix; **Keith A. Kingston**, Mesa; **Frank P. Blatter**, Chandler, all of Ariz.

Primary Examiner—Louis S. Zarfes
Assistant Examiner—Gregory Andoll
Attorney, Agent, or Firm—Bradley J. Botsch

[73] Assignee: **Motorola, Inc.**, Schaumburg, Ill.

[**] Term: **14 Years**

[57] CLAIM

We claim the ornamental design for the antenna structure, as shown and described.

[21] Appl. No.: **29/108,471**

DESCRIPTION

[22] Filed: **Jul. 29, 1999**

A description of each of the figures of the drawing is as follows, with the broken line matter being for illustrative purposes only and forming no part of the claimed design:

[51] **LOC (7) Cl.** **14-03**

[52] **U.S. Cl.** **D14/230**

[58] **Field of Search** D14/230–238;
343/702, 901, 720, 713, 714, 795, 765,
840, 872, 878, 879; 455/90, 347, 128, 562

FIG. 1 is an isometric view showing the top, front and left sides of our new design for an antenna structure, shown in full line;

FIG. 2 is a left side elevation view thereof;

FIG. 3 is a rear side elevation view thereof; and,

FIG. 4 is a bottom plan view thereof.

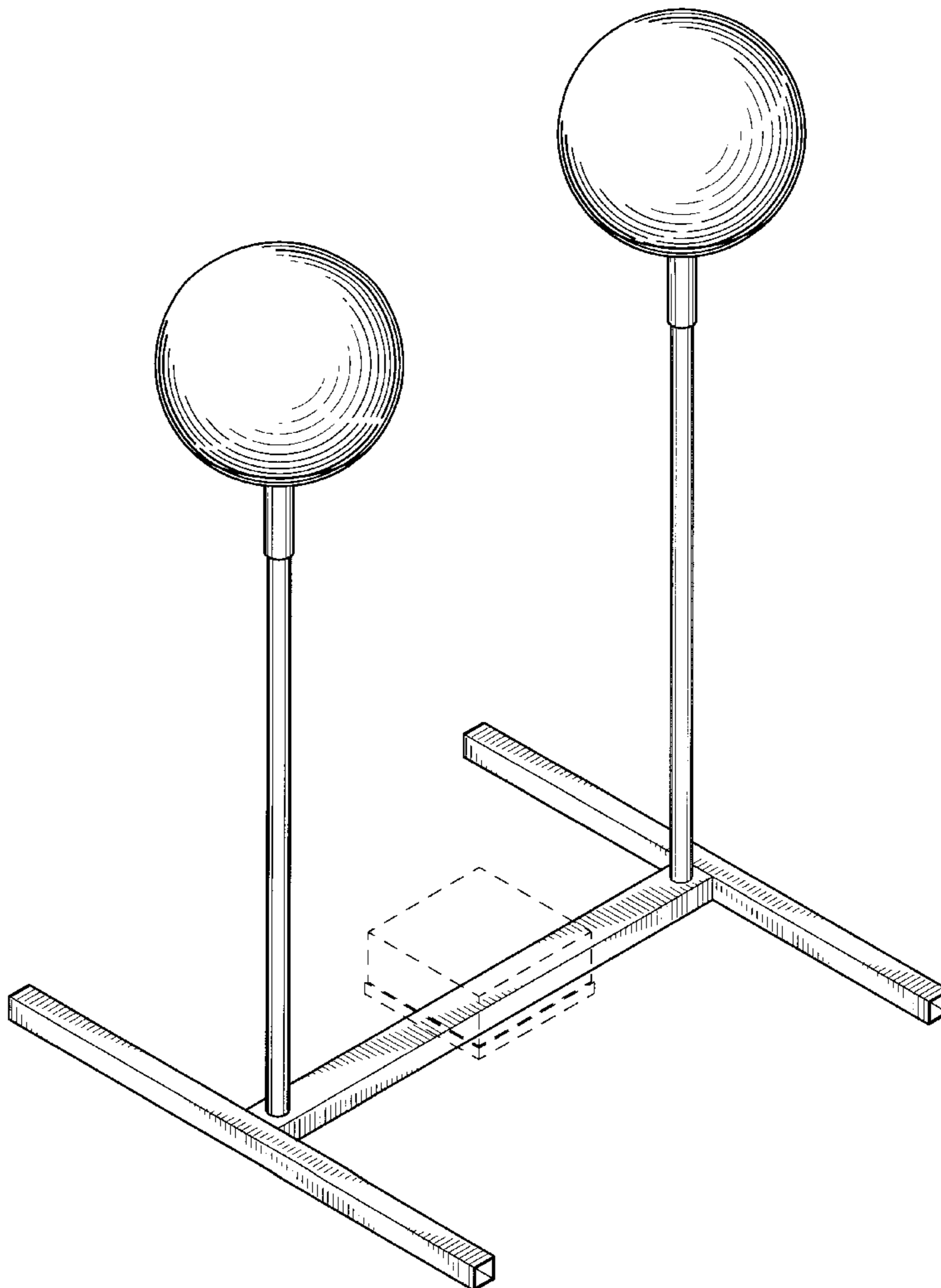
[56] References Cited

U.S. PATENT DOCUMENTS

D. 181,027	9/1957	Singer	D14/235
2,553,295	5/1951	Bock	343/720
3,268,897	8/1966	Link	343/713

The surfaces of the article not shown in the drawing or described in the specification form no part of the claimed design.

1 Claim, 4 Drawing Sheets



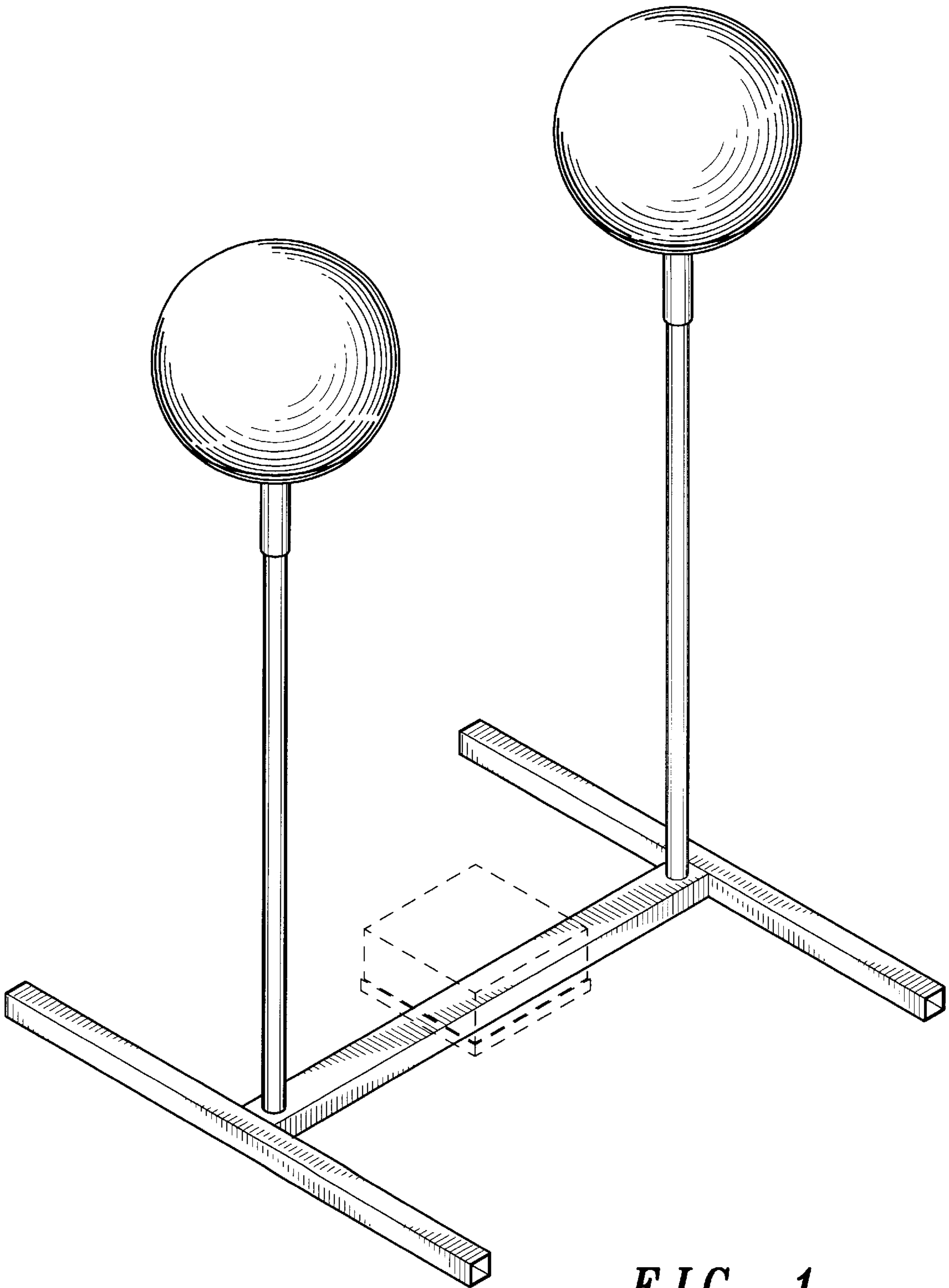


FIG. 1

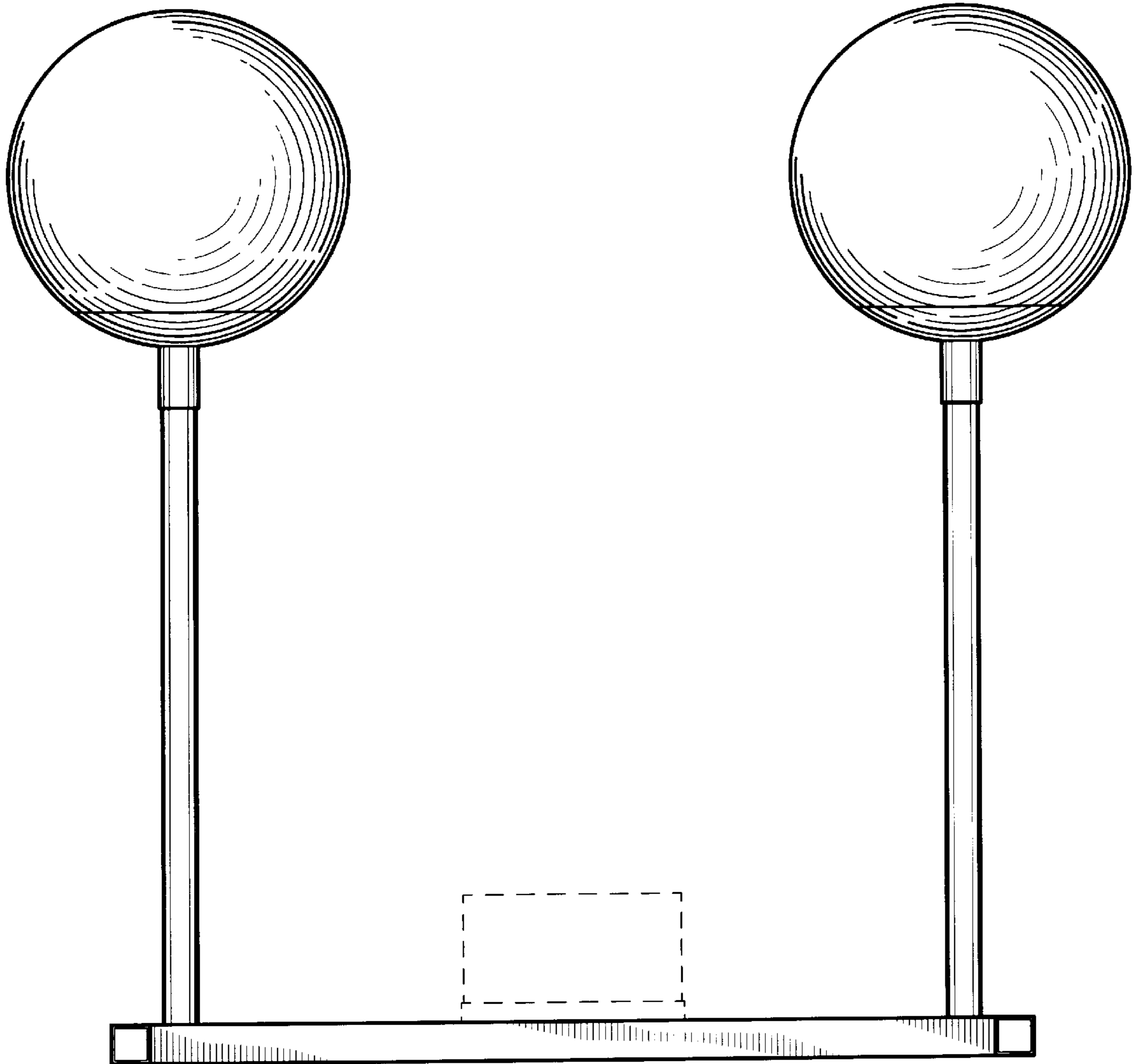


FIG. 2

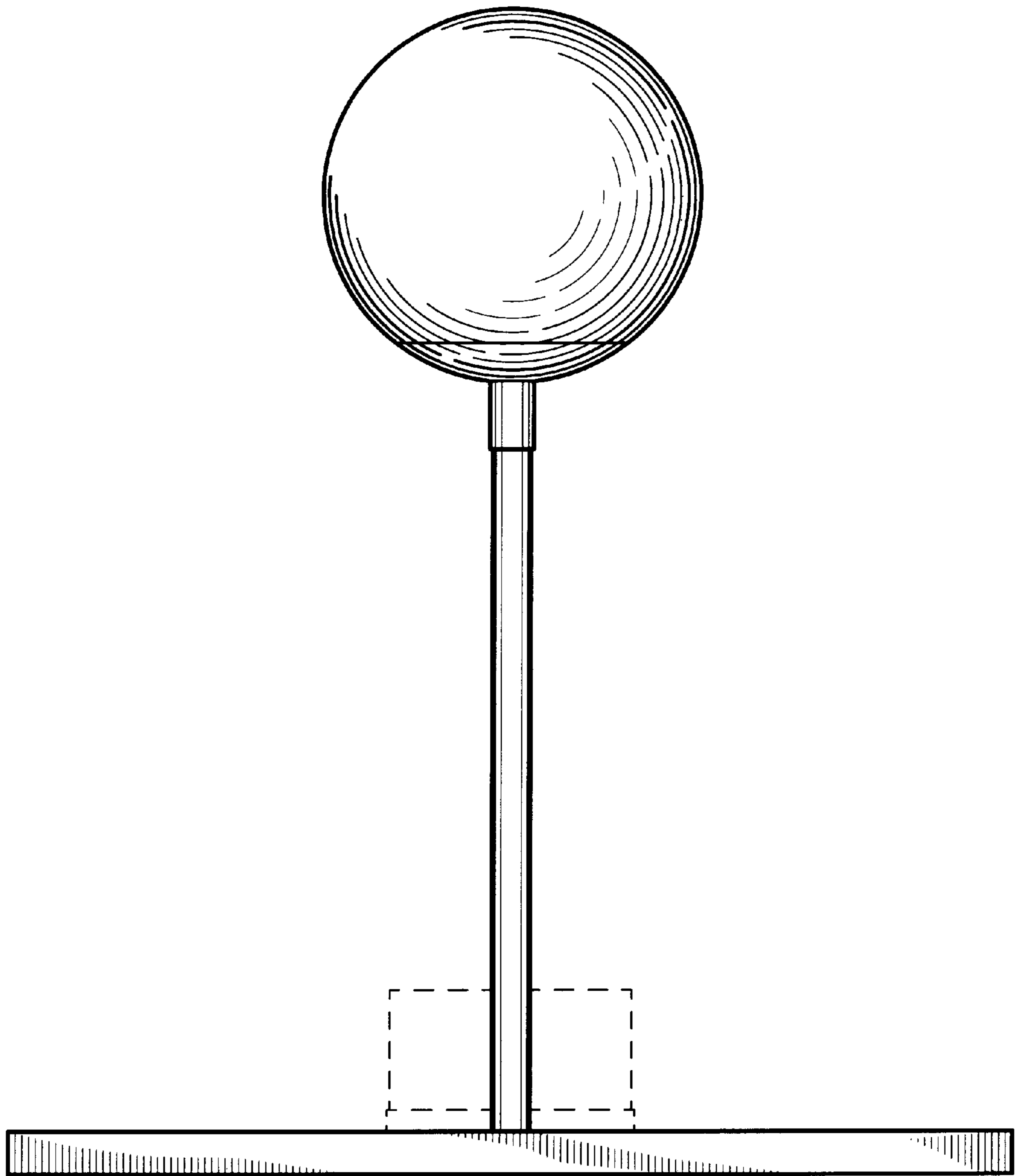


FIG. 3

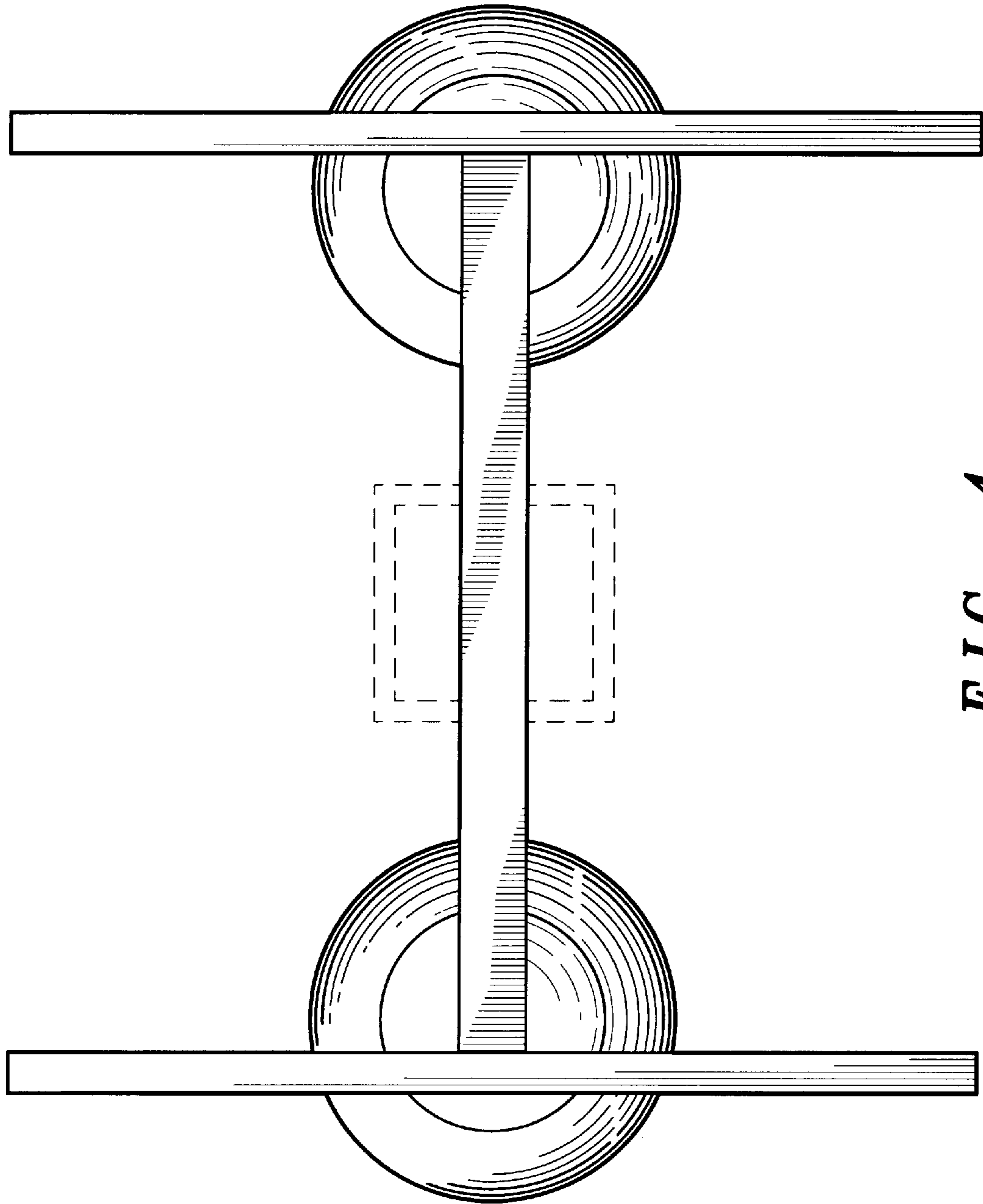


FIG. 4