



US00D425508S

# United States Patent [19]

Fiebel et al.

[11] **Patent Number: Des. 425,508**

[45] **Date of Patent: \*\* May 23, 2000**

[54] **AUDIO ENTERTAINMENT UNIT**

[75] Inventors: **William C. Fiebel**, Clifton; **Paul Lacotta**, Glen Rock, both of N.J.; **Mitra Leyde**, New York; **John Moldauer**, Brooklyn, both of N.Y.

[73] Assignee: **Refac International, Ltd.**, Edgewater, N.J.

[\*\*] Term: **14 Years**

[21] Appl. No.: **29/108,278**

[22] Filed: **Jul. 23, 1999**

[51] **LOC (7) Cl. .... 14-03**

[52] **U.S. Cl. .... D14/194**

[58] **Field of Search .... D14/160-165, D14/167-168, 171, 188, 193-198; 455/344, 347, 350-351**

[56] **References Cited**

**U.S. PATENT DOCUMENTS**

D. 367,053 2/1996 Ogasawara et al. .... D14/165 X

D. 386,180 11/1997 Zeitman ..... D14/196  
D. 391,961 3/1998 Hanig ..... D14/196 X  
D. 400,533 11/1998 Xie ..... D14/188  
D. 406,843 3/1999 Zeitman ..... D14/162

*Primary Examiner*—Nanda Bondade  
*Attorney, Agent, or Firm*—Jordan and Hamburg LLP

[57] **CLAIM**

The ornamental design for an audio entertainment unit, as shown and described.

**DESCRIPTION**

FIG. 1 is a front elevation view of an audio entertainment unit;  
FIG. 2 is a top plan view thereof;  
FIG. 3 is a rear elevation view thereof;  
FIG. 4 is a bottom plan view thereof;  
FIG. 5 is a left side elevation view thereof;  
FIG. 6 is a right side elevation view thereof;  
FIG. 7 is a front perspective view thereof; and,  
FIG. 8 is a rear perspective view thereof.

**1 Claim, 8 Drawing Sheets**

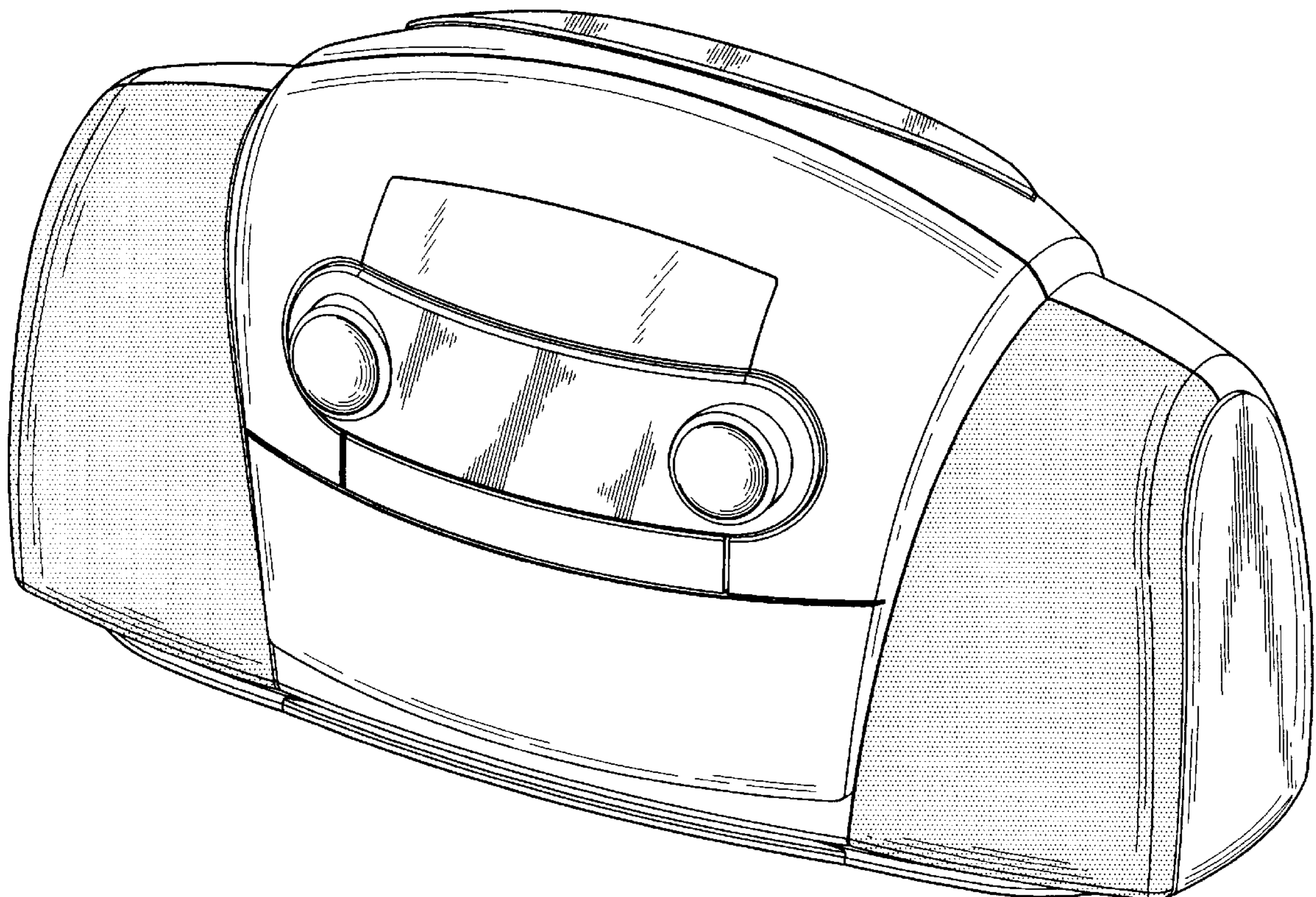


FIG. 1

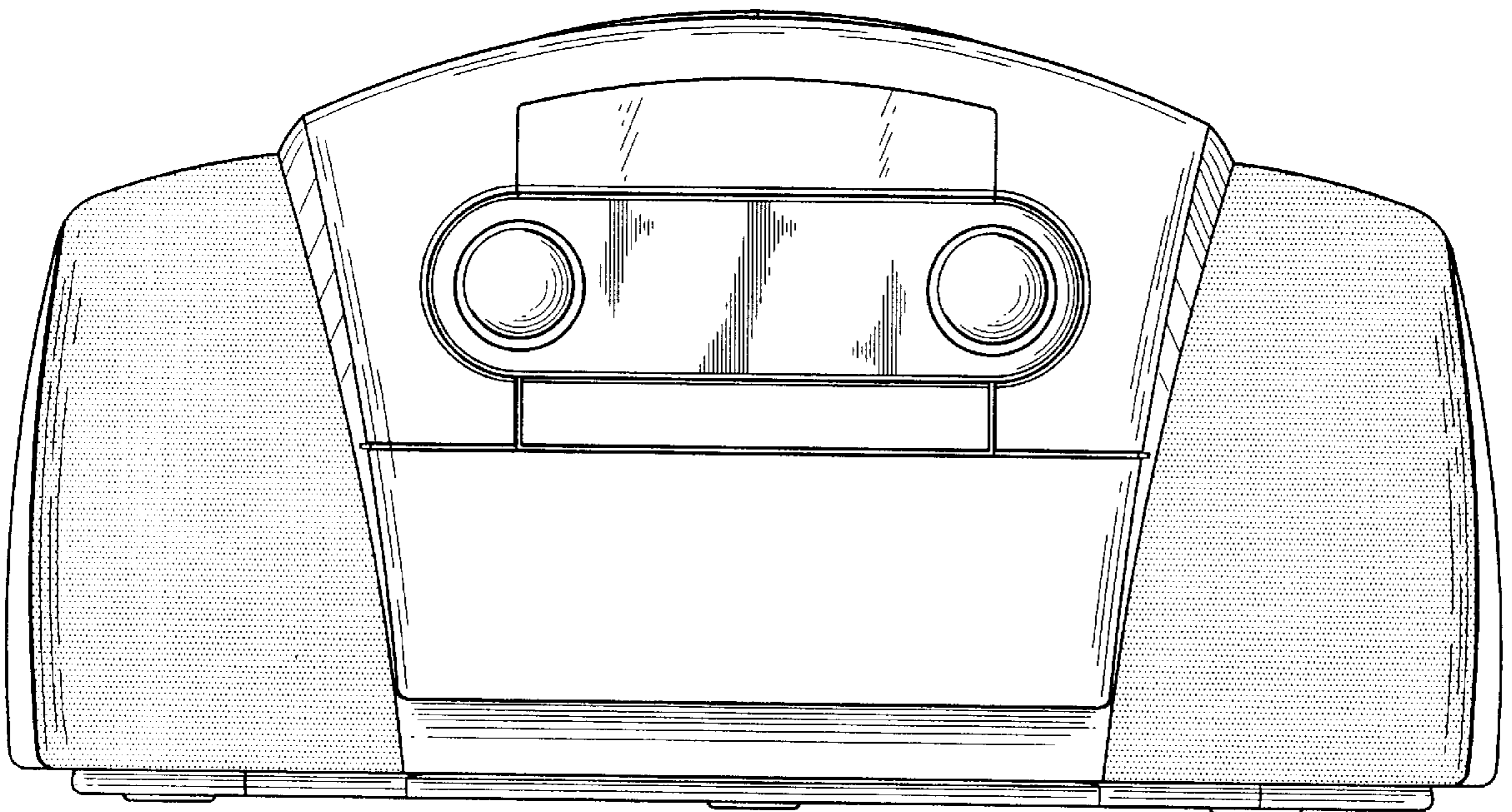


FIG. 2

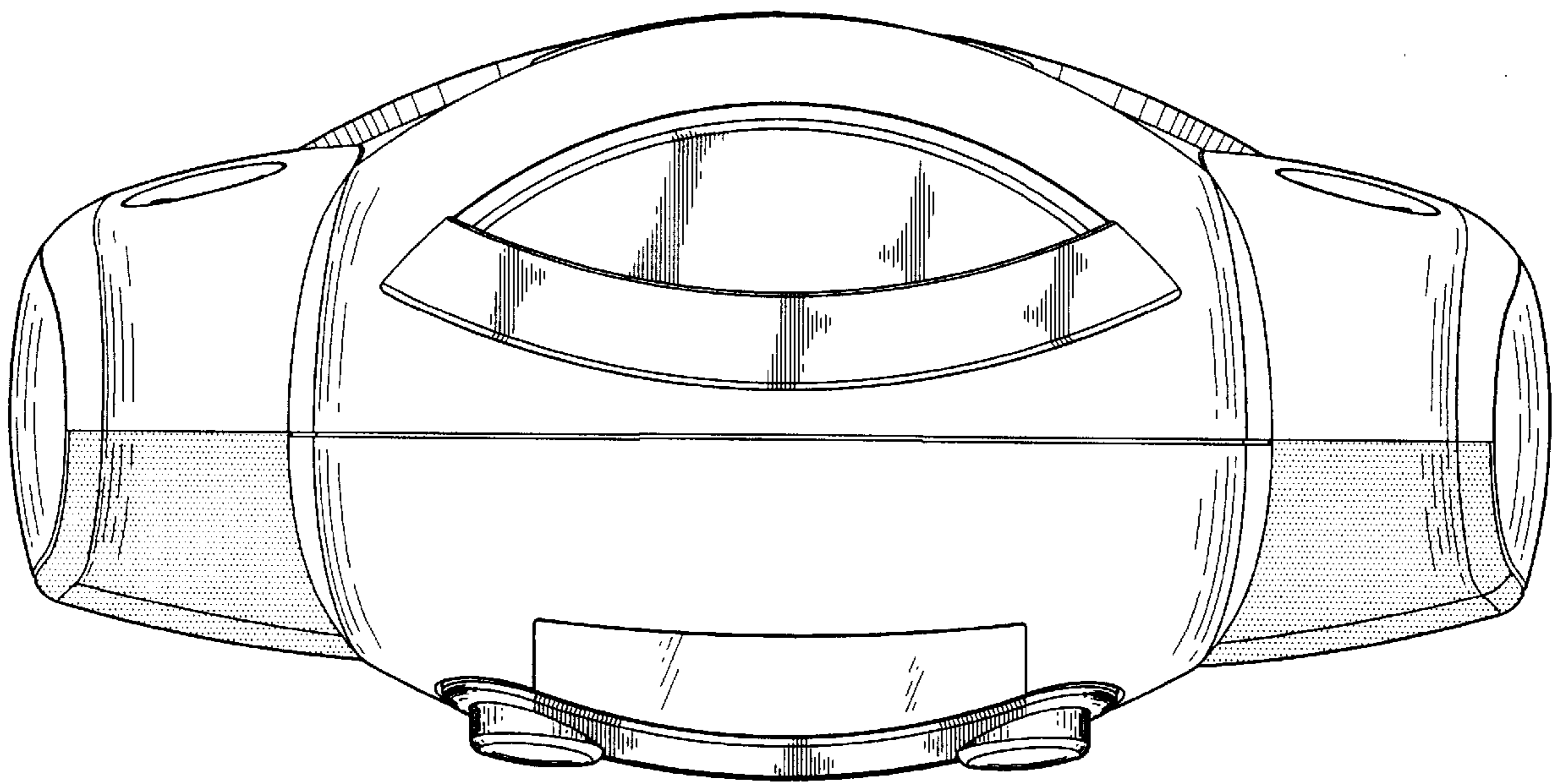


FIG. 3

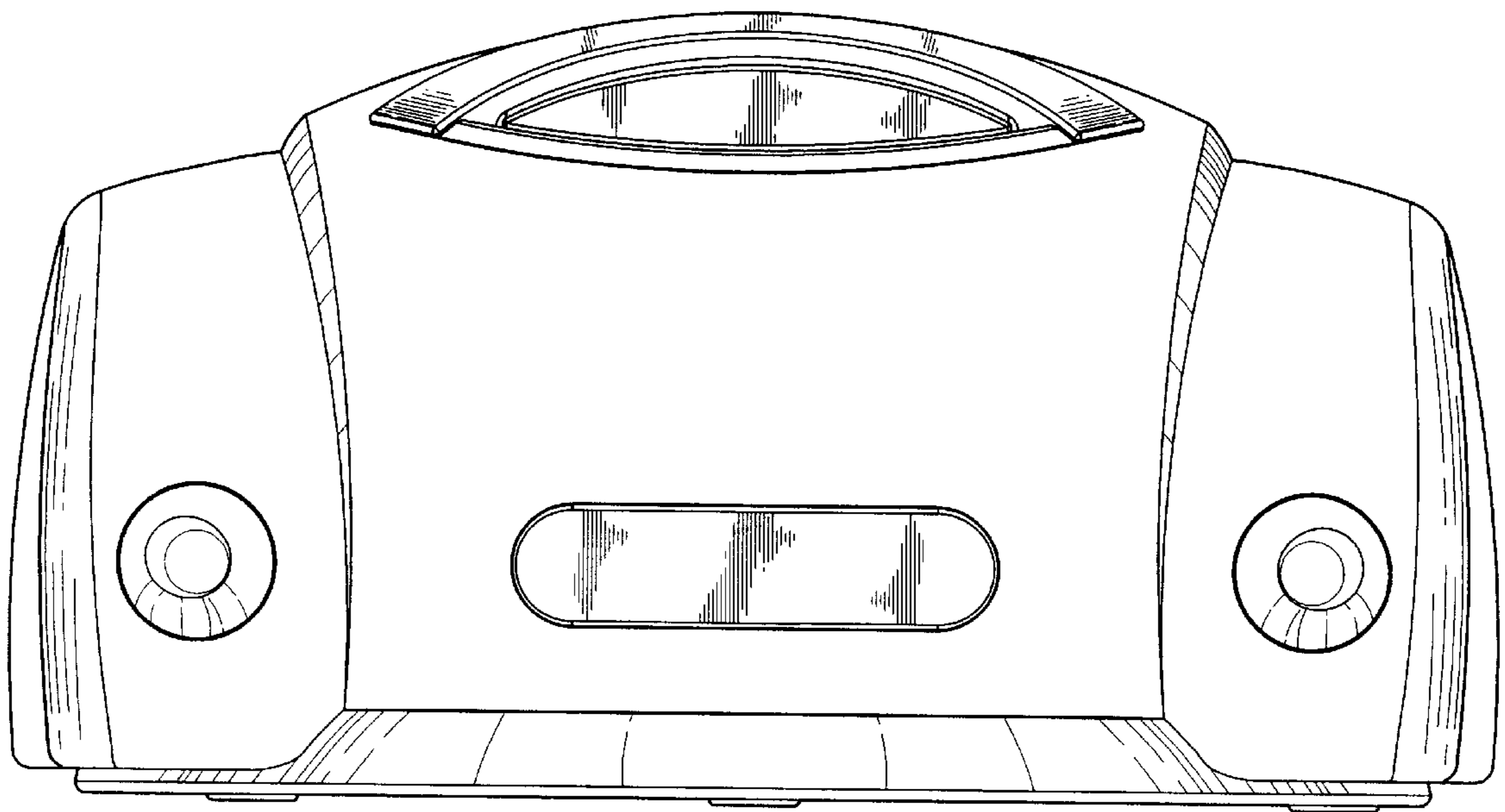
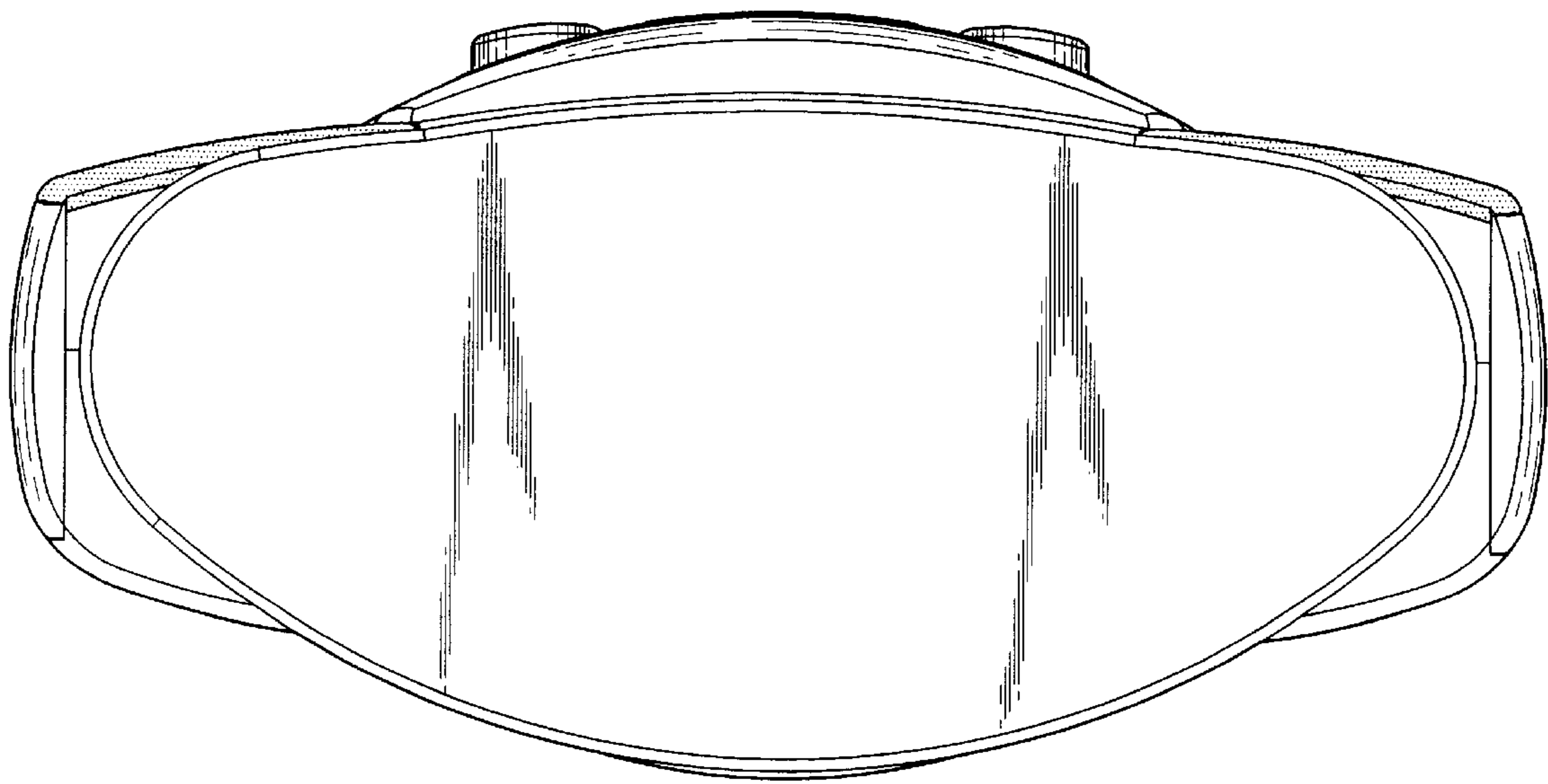
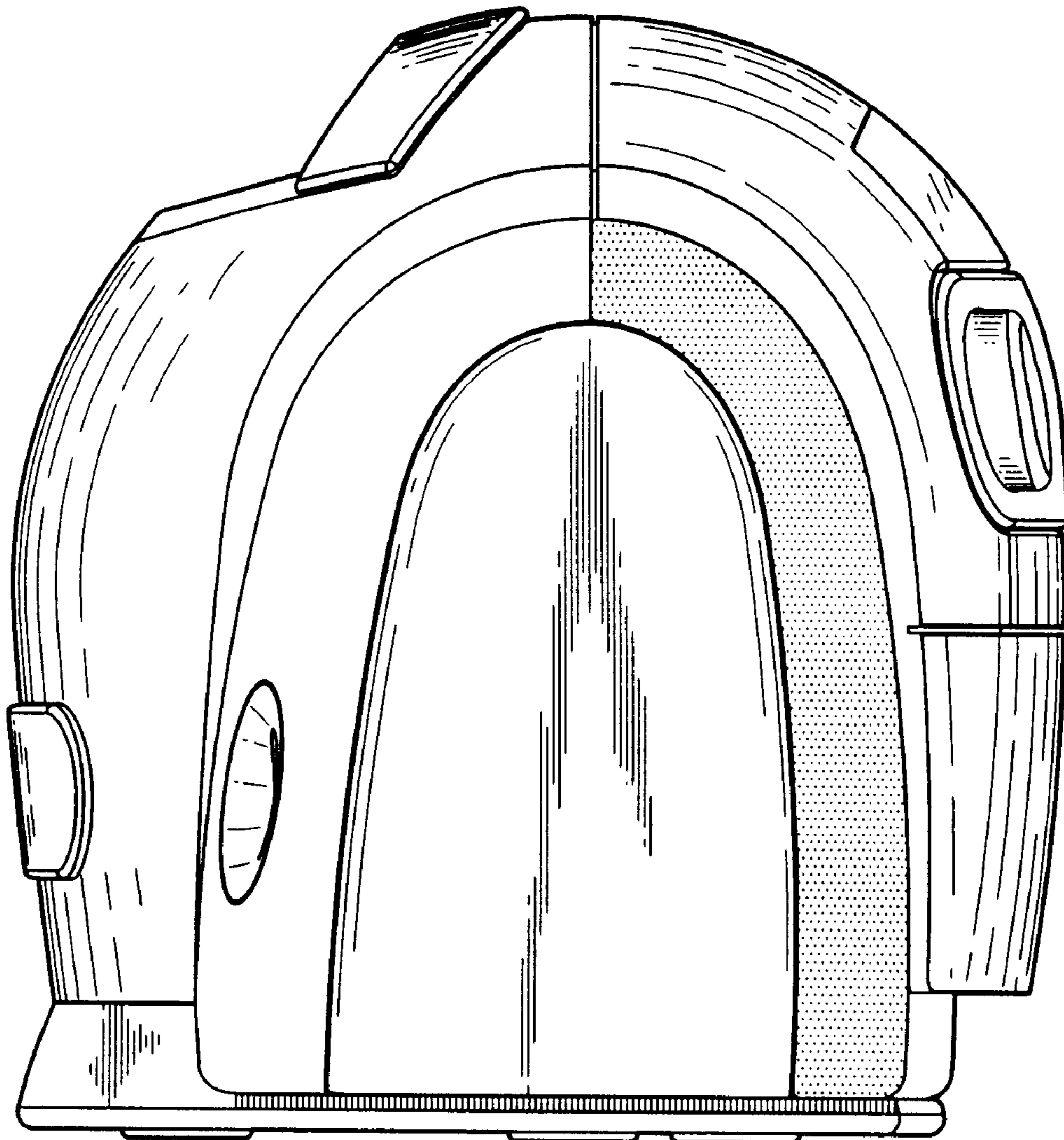


FIG. 4



# FIG. 5



# FIG. 6

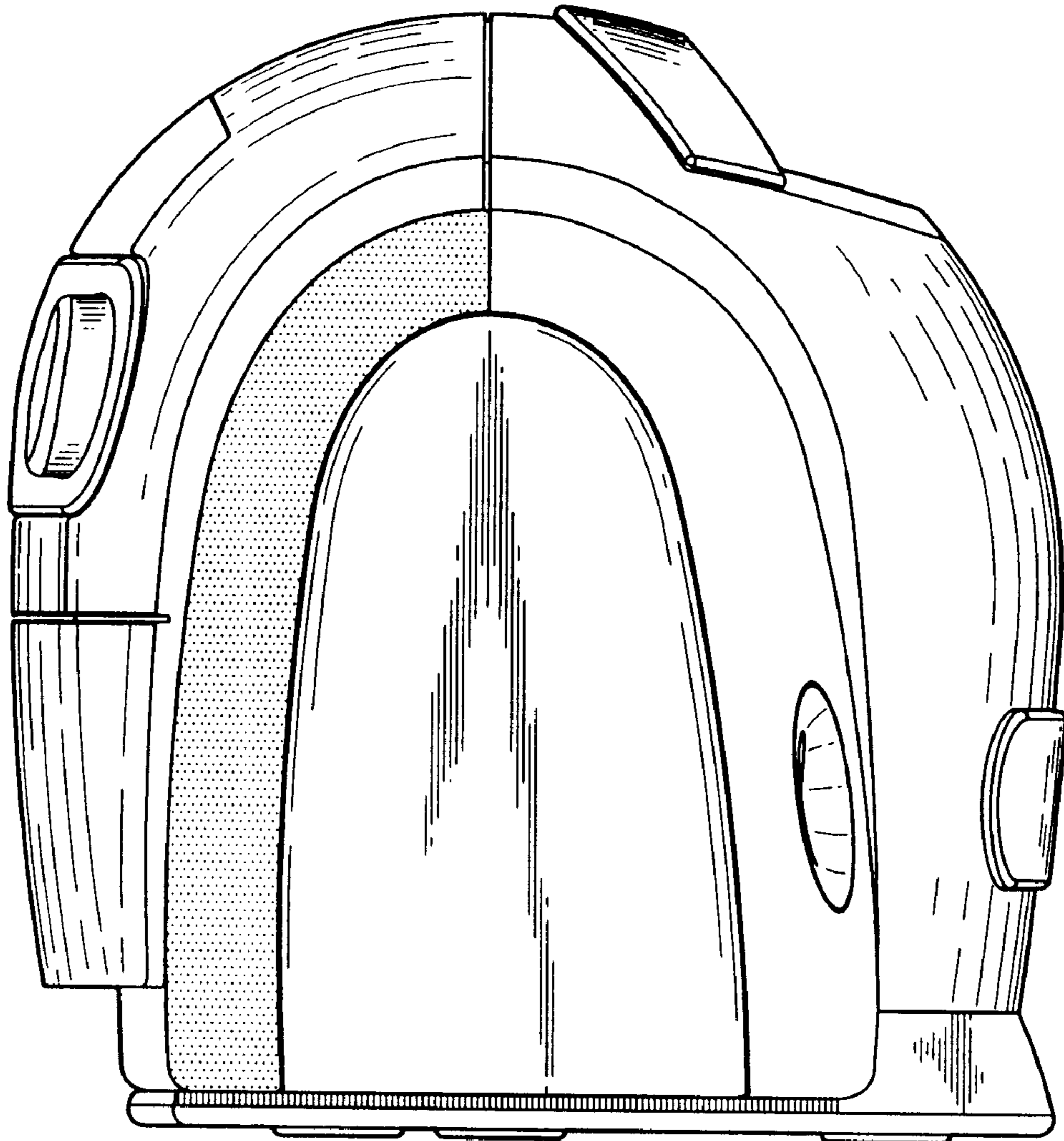


FIG. 7

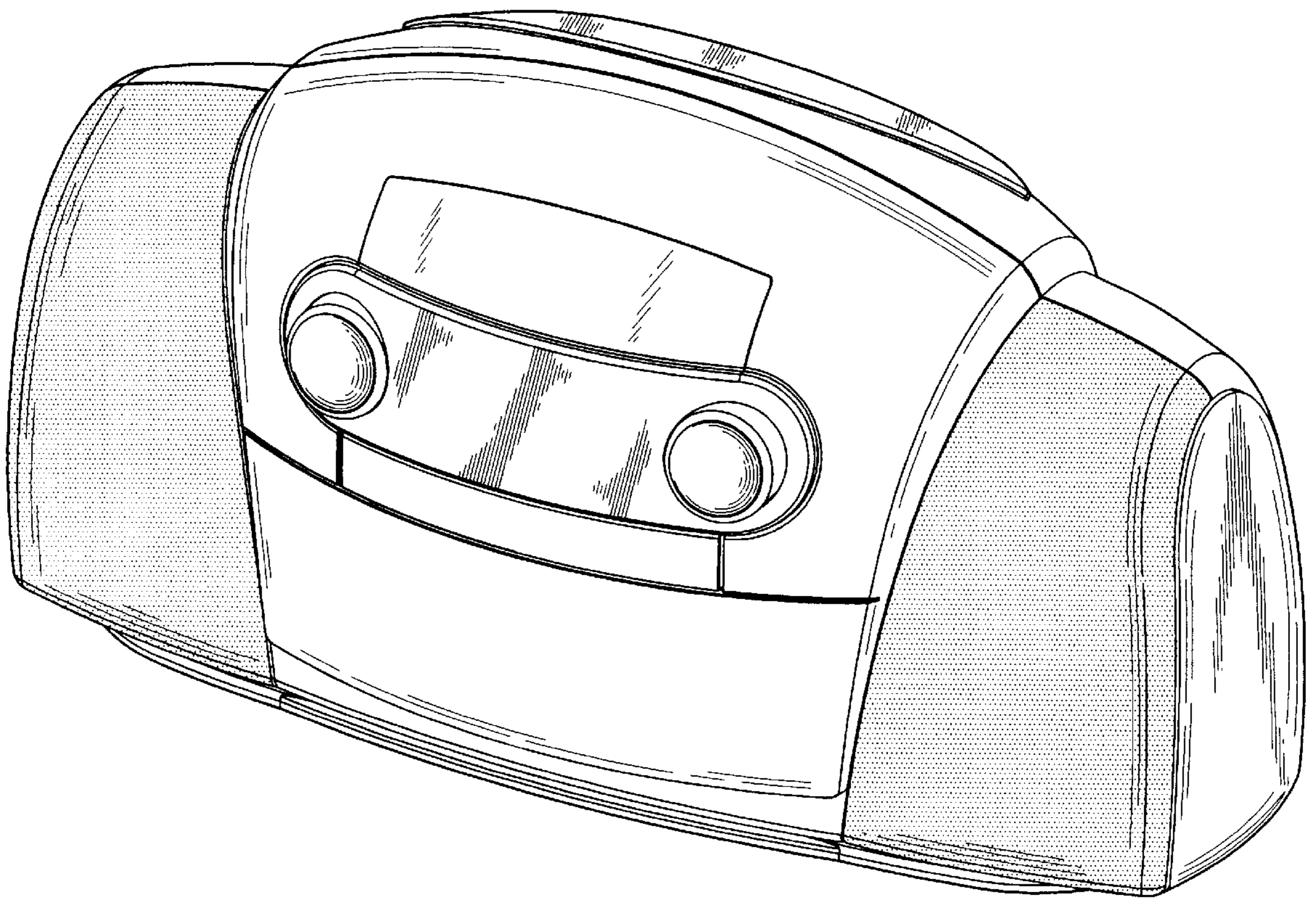




FIG. 8

