



US00D425506S

**United States Patent** [19]  
**Olzak et al.**

[11] **Patent Number: Des. 425,506**

[45] **Date of Patent: \*\* May 23, 2000**

[54] **ENCLOSURE FOR INFORMATION RECORDER**

D. 371,787 7/1996 Sohn ..... D14/188  
D. 392,640 3/1998 Tully et al. .... D14/188 X

[75] Inventors: **Richard A. Olzak**, Kirkland; **Gary Kersten**, Duvall, both of Wash.

*Primary Examiner*—Nanda Bondade

[73] Assignee: **AlliedSignal Inc.**, Morristown, N.J.

[57] **CLAIM**

[\*\*] Term: **14 Years**

The ornamental design for an enclosure for information recorder, as shown and described.

[21] Appl. No.: **29/087,061**

**DESCRIPTION**

[22] Filed: **Apr. 24, 1998**

FIG. 1 is a perspective view of a enclosure for information recorder showing our new design;

[51] **LOC (7) Cl.** ..... **14-01**

FIG. 2 is a top plan view thereof;

[52] **U.S. Cl.** ..... **D14/167**

FIG. 3 is a left side elevational view, the right side elevational view being a mirror image;

[58] **Field of Search** ..... D12/345; D14/124, D14/160-165, 167-168, 188, 193-198, 217, 299; 455/344, 347-351

FIG. 4 is a rear elevational view thereof;

FIG. 5 is a front elevational view thereof; and,

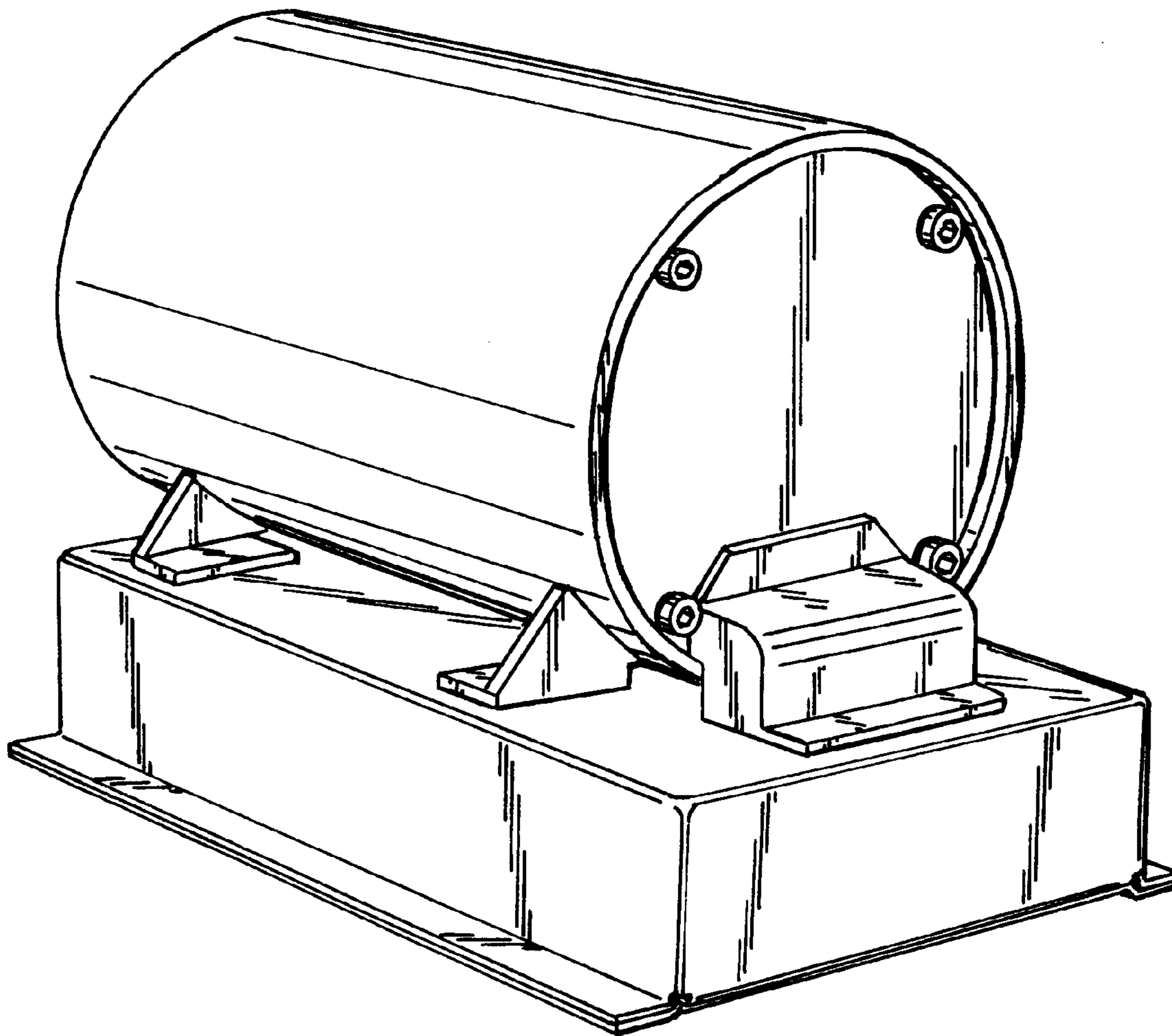
FIG. 6 is a bottom plan view thereof.

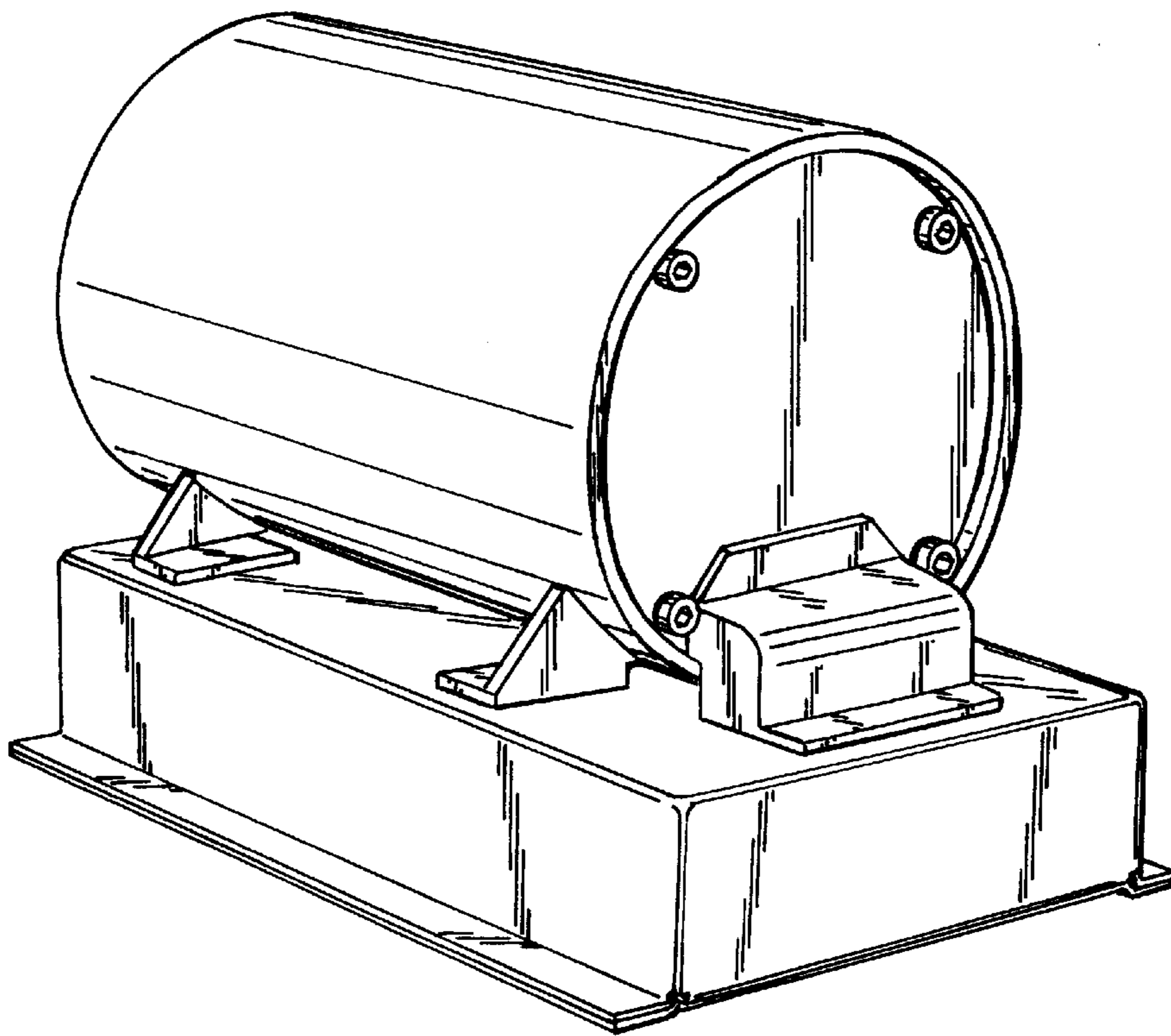
[56] **References Cited**

**U.S. PATENT DOCUMENTS**

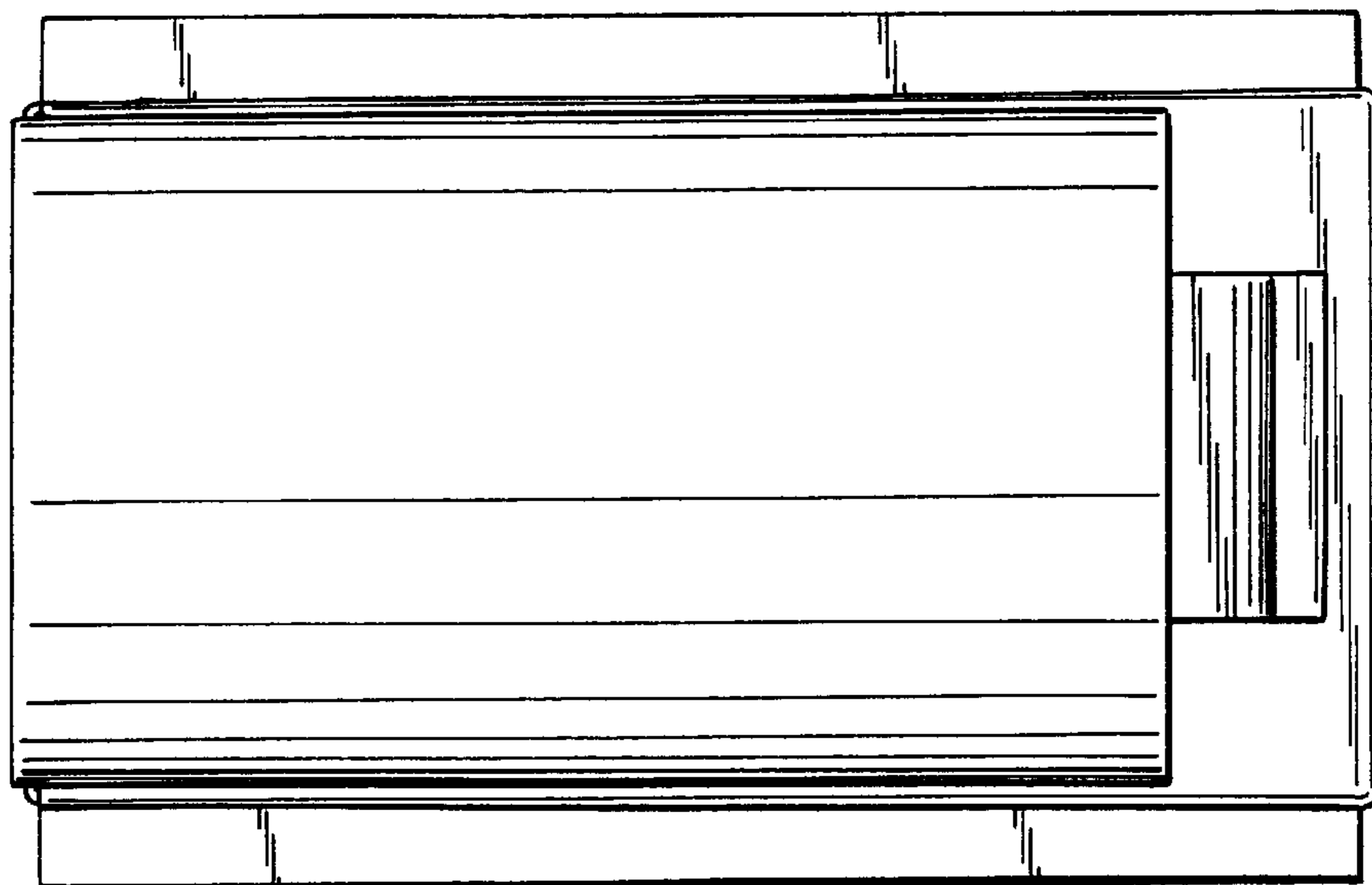
D. 67,521 6/1925 Herman ..... D14/188

**1 Claim, 3 Drawing Sheets**

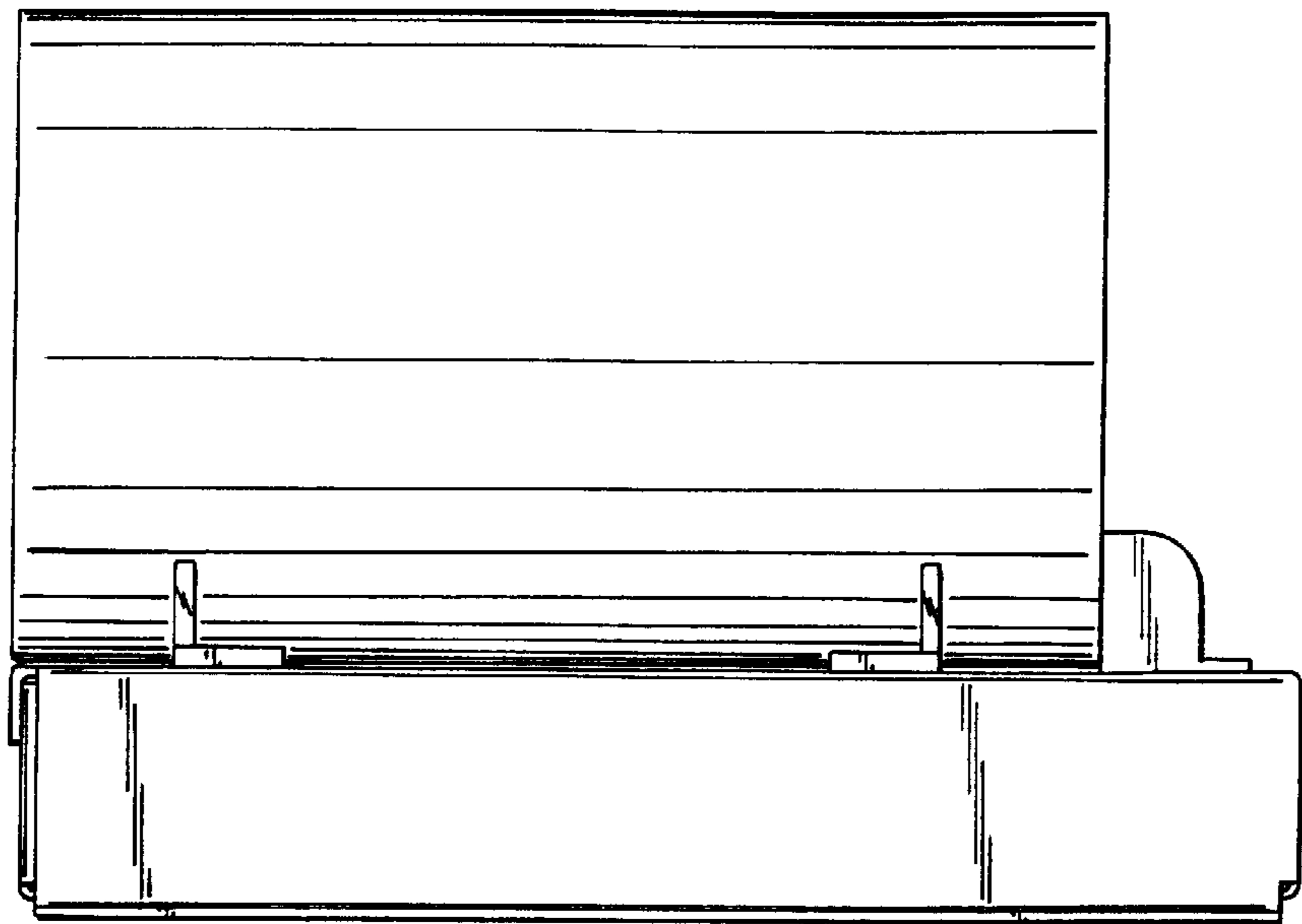




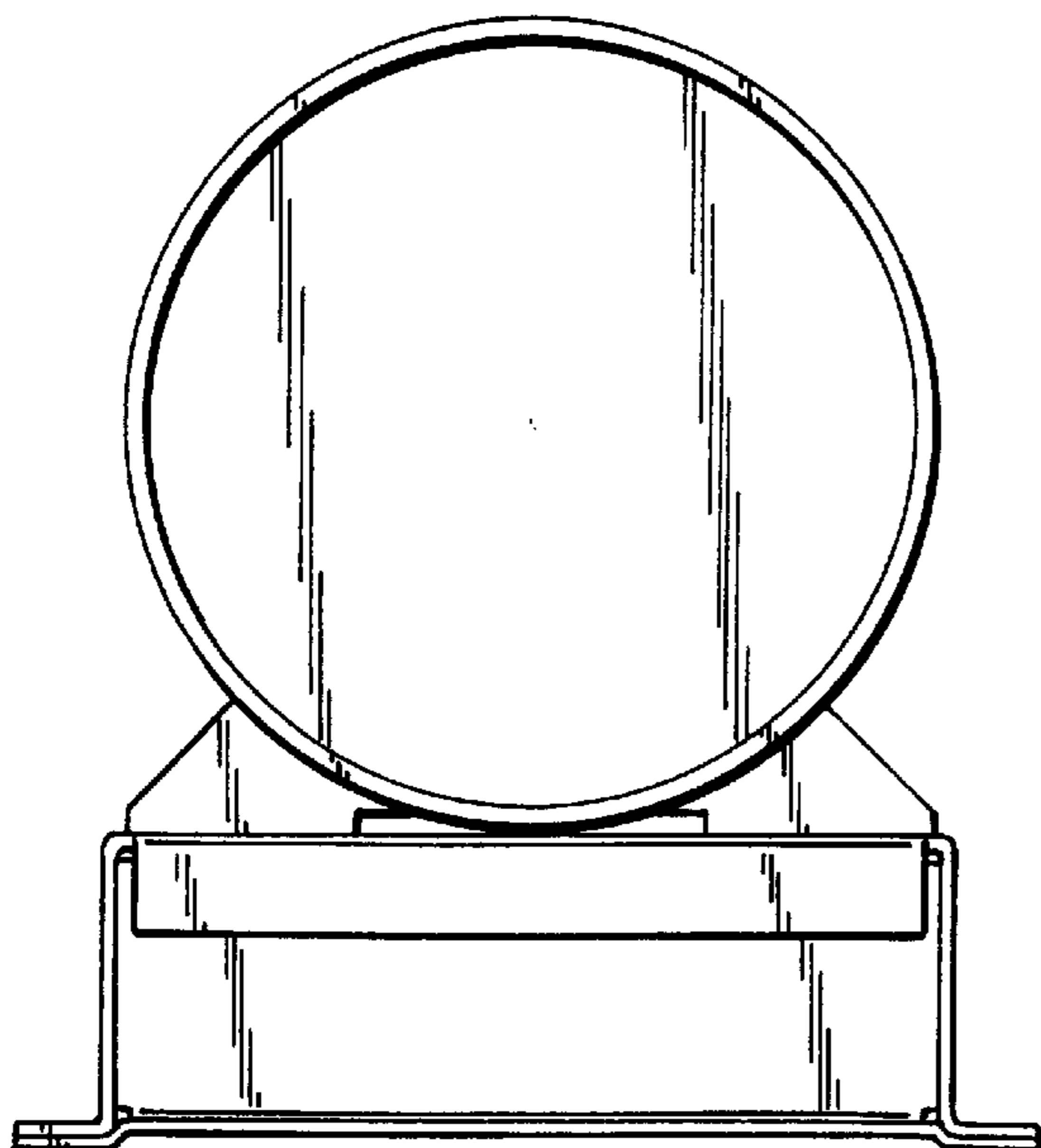
*FIG. 1.*



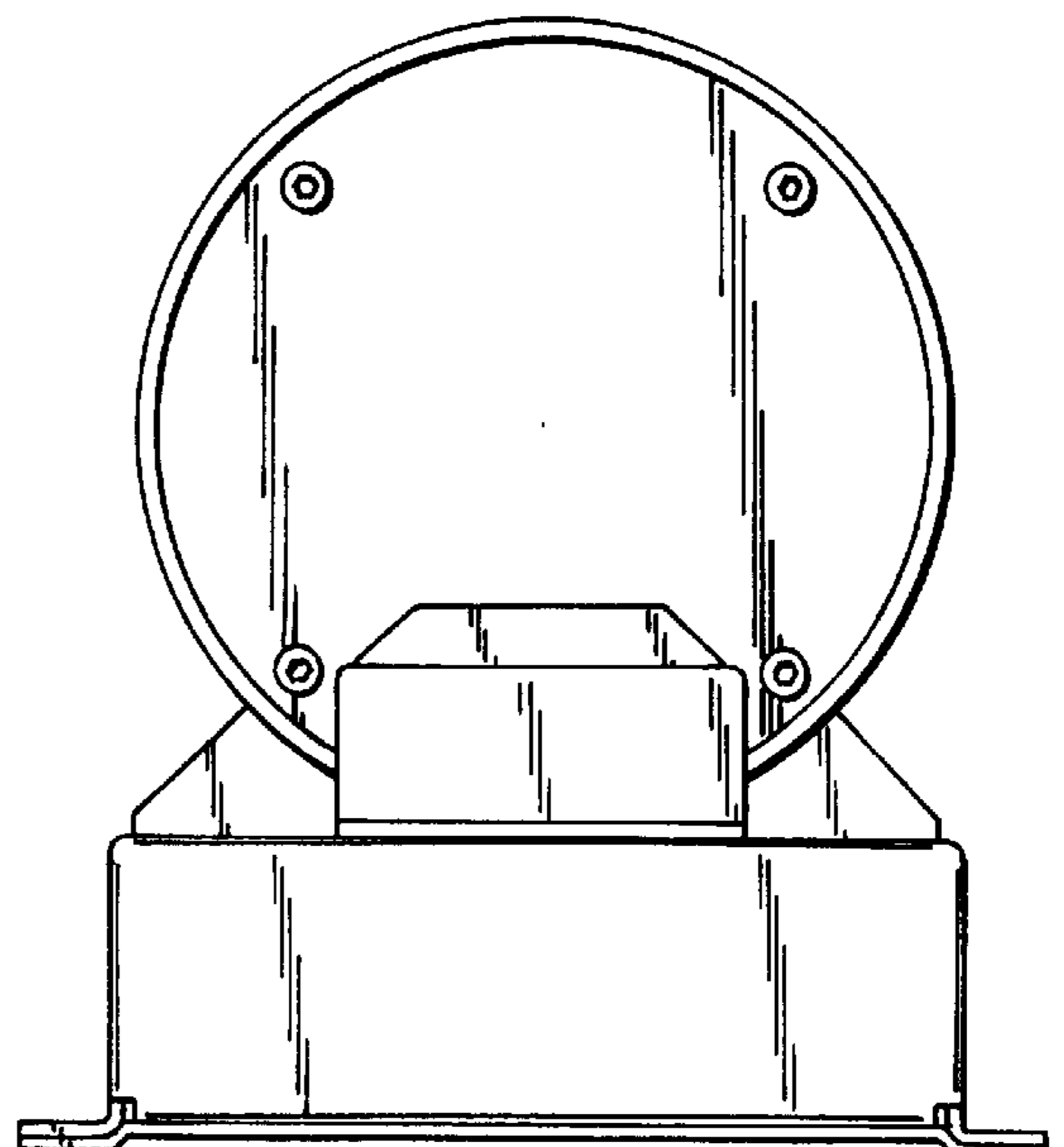
*FIG. 2.*



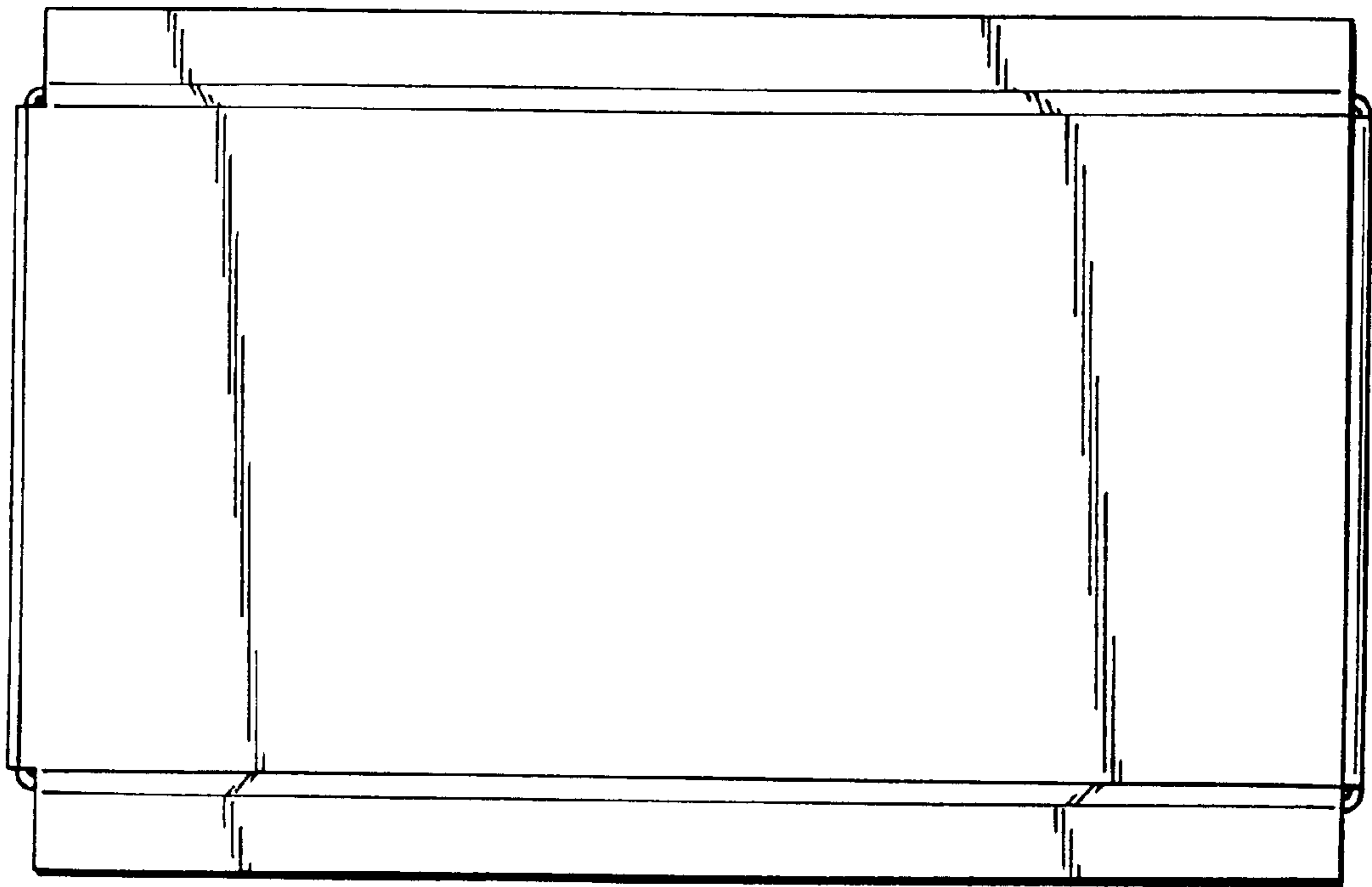
*FIG. 3.*



*FIG. 4.*



*FIG. 5.*



*FIG. 6.*