



US00D425505S

United States Patent [19] Zeitman

[11] Patent Number: **Des. 425,505**

[45] Date of Patent: **** May 23, 2000**

[54] CASSETTE PLAYER

D. 351,168 10/1994 Sumikawa D14/163 X
5,635,908 6/1997 Soper 455/344 X

[75] Inventor: **Josh Zeitman**, Brooklyn, N.Y.

[73] Assignee: **Lenox Electronics Corp.**, N.Y.

[**] Term: **14 Years**

Primary Examiner—Nanda Bondade
Attorney, Agent, or Firm—Burns, Doane, Swecker & Mathis, L.L.P.

[21] Appl. No.: **29/102,995**

[22] Filed: **Apr. 6, 1999**

[57] CLAIM

The ornamental design for cassette player, as shown and described.

[51] LOC (7) Cl. **14-01**

[52] U.S. Cl. **D14/165**

[58] Field of Search D14/160–165,
D14/167–168, 188, 192–198; 455/344,
347–351

DESCRIPTION

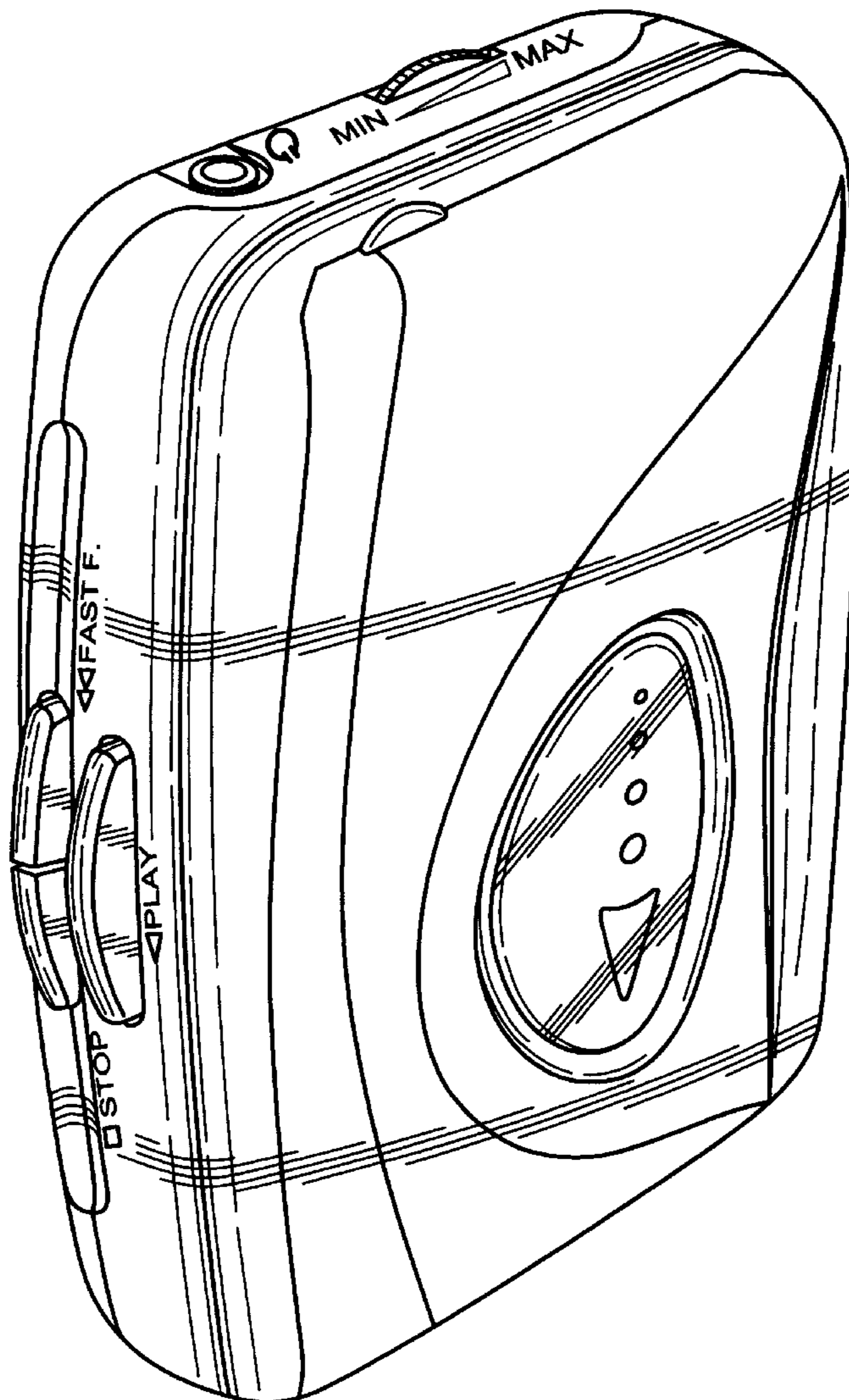
FIG. 1 is a front view of cassette player showing my design;
FIG. 2 is a rear view thereof;
FIG. 3 is a left side view thereof;
FIG. 4 is a right side view thereof;
FIG. 5 is a top plan view thereof;
FIG. 6 is a bottom view thereof; and,
FIG. 7 is a perspective view thereof.

[56] References Cited

U.S. PATENT DOCUMENTS

D. 350,751 9/1994 Matsuzaka D14/165
D. 350,959 9/1994 Sumikawa D14/163

1 Claim, 5 Drawing Sheets



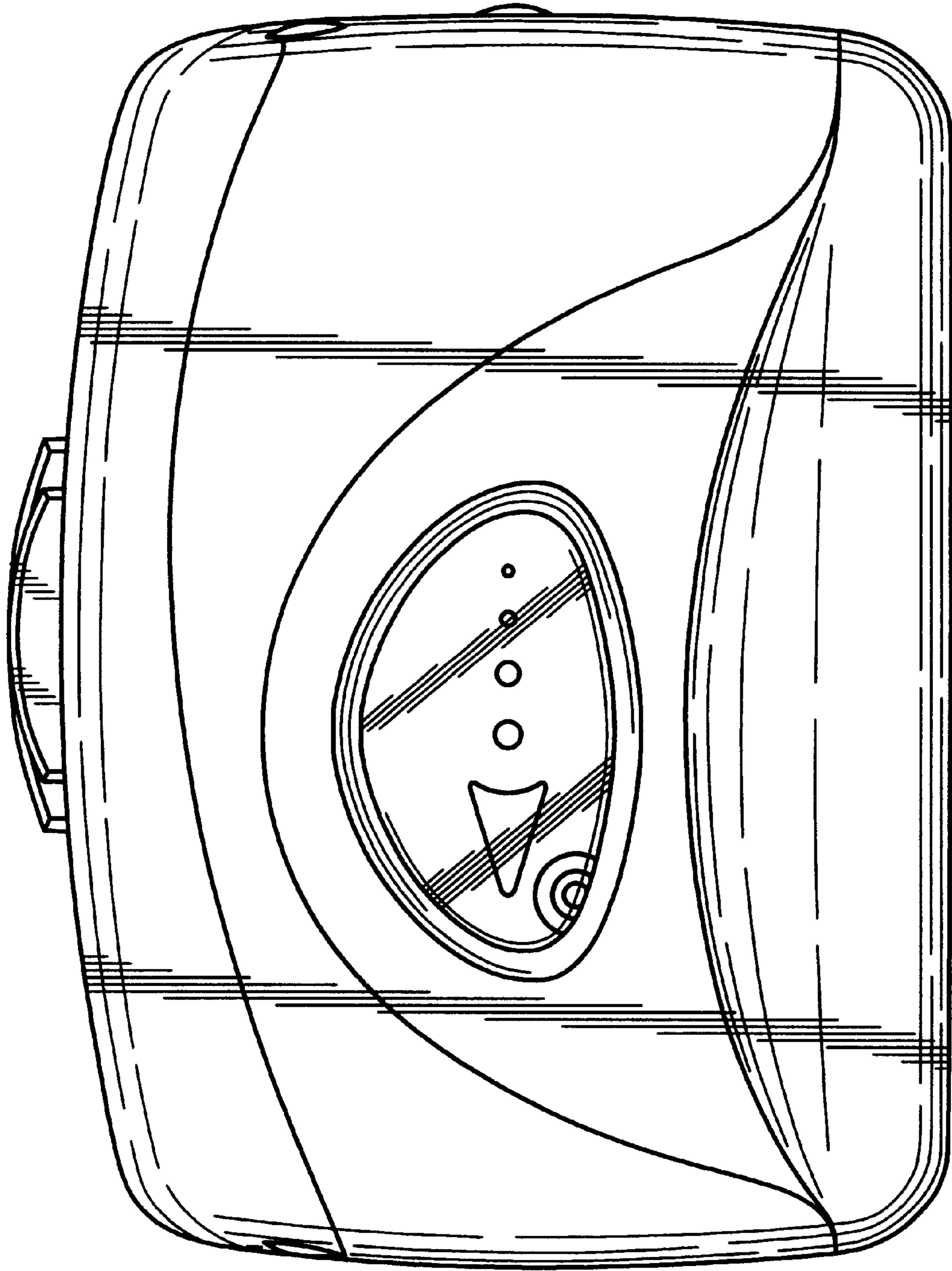


FIG. 1

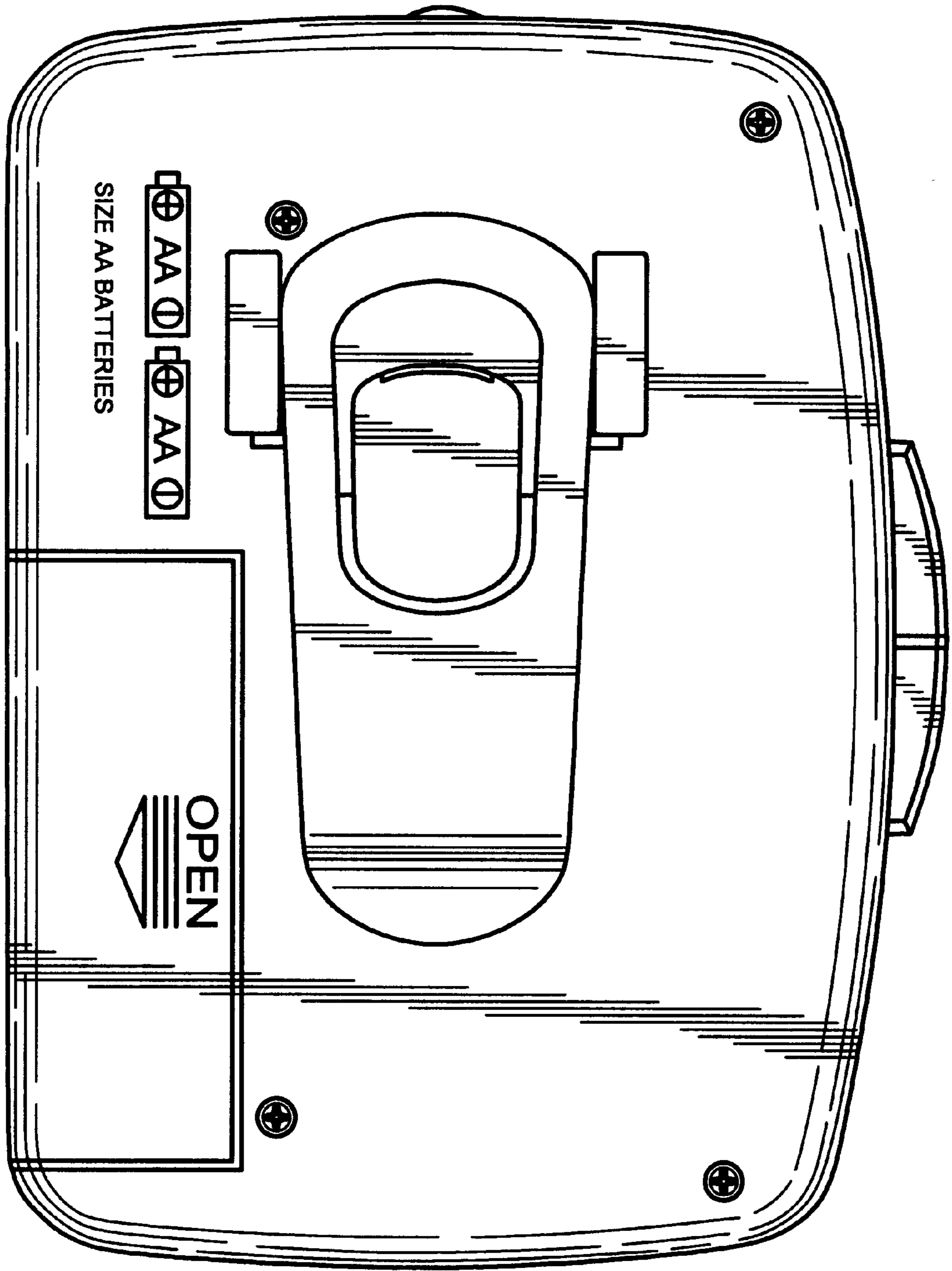


FIG. 2

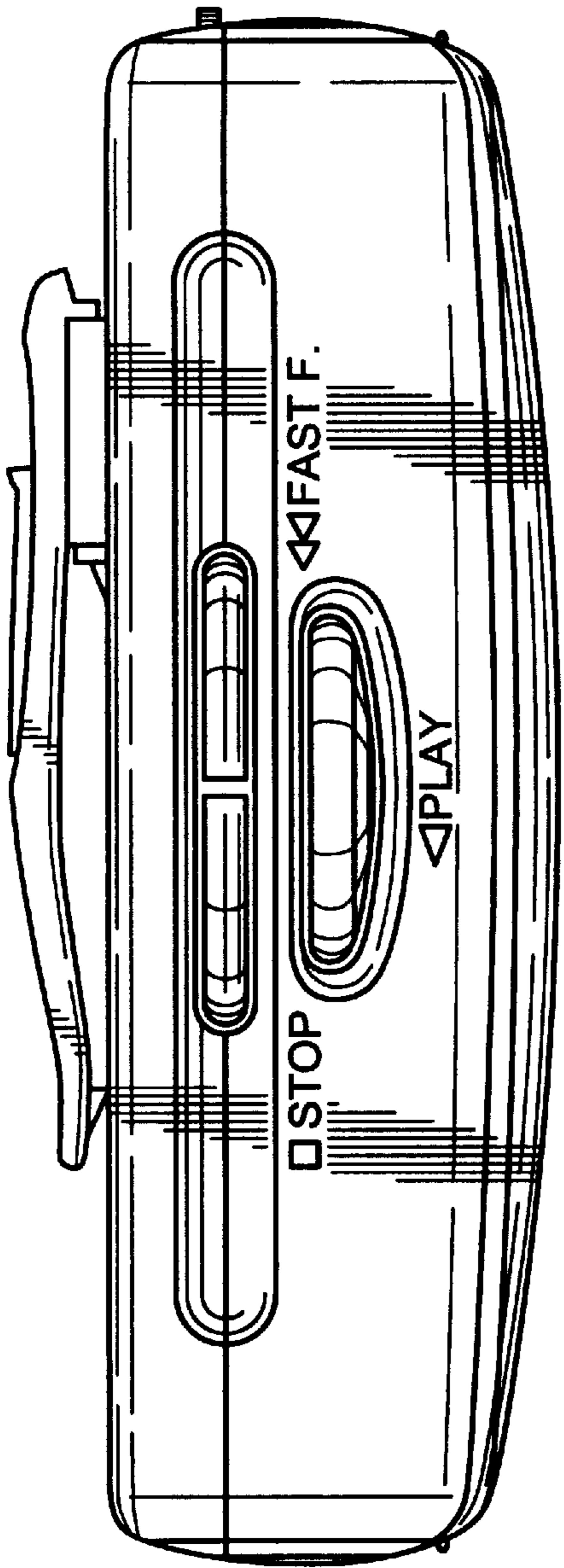


FIG. 3

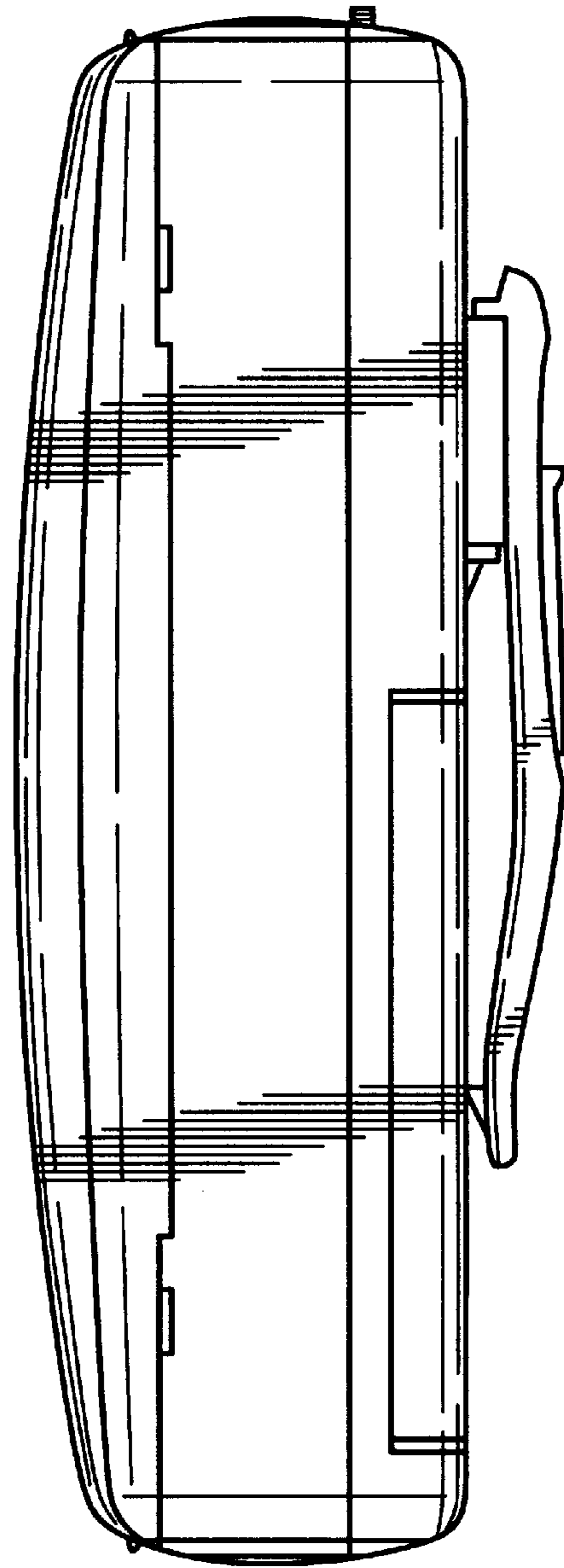


FIG. 4

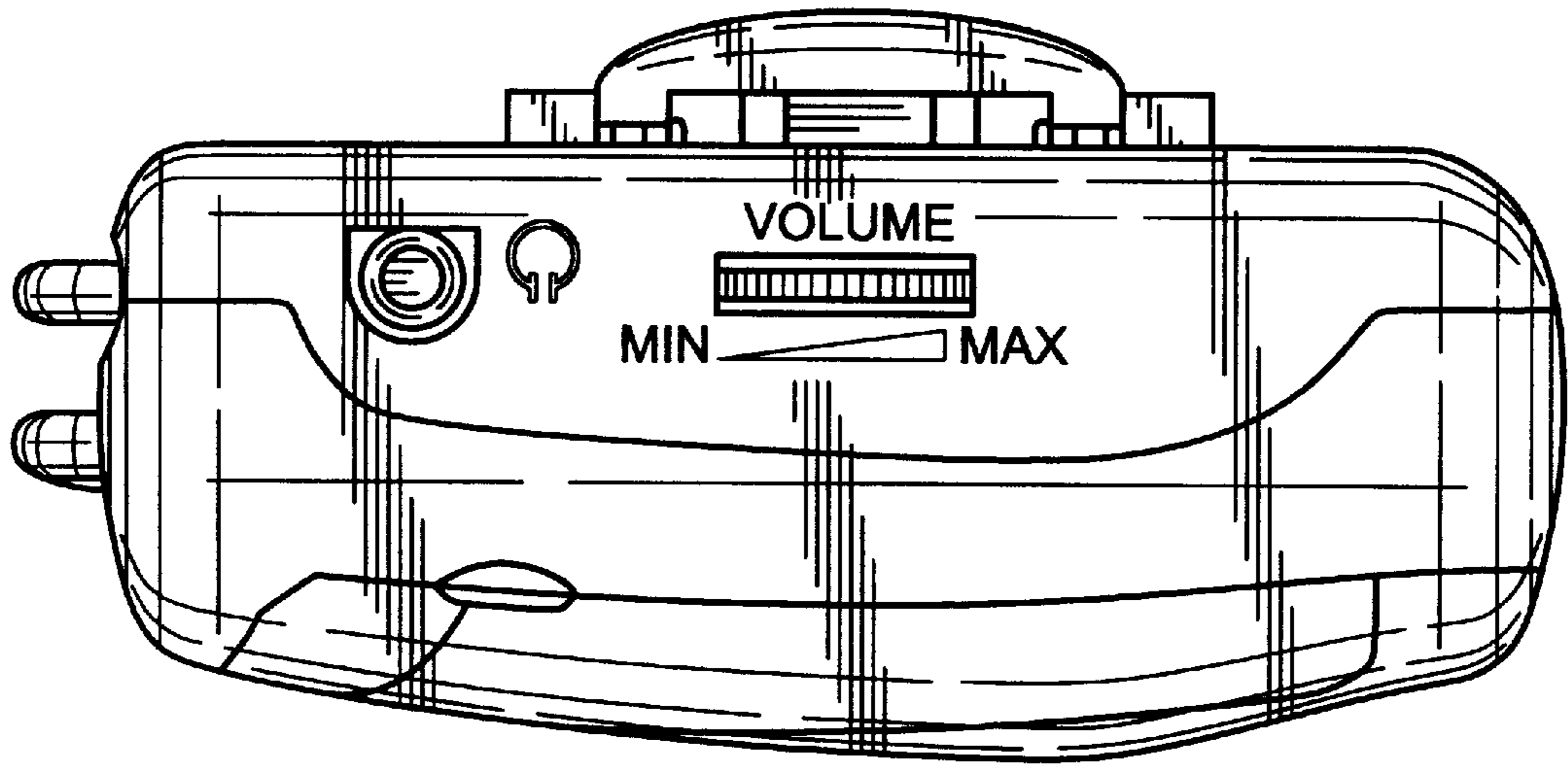


FIG. 5

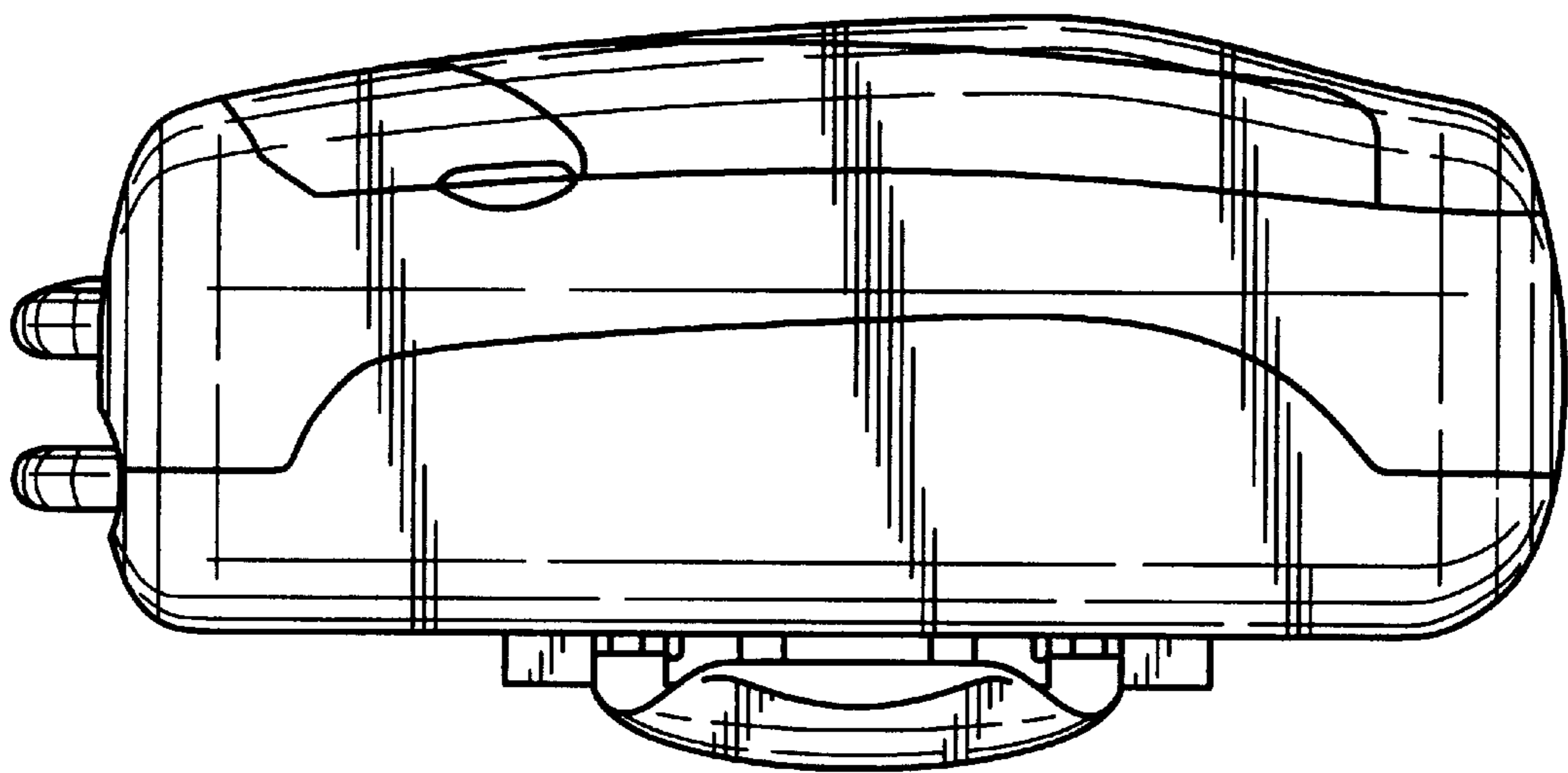


FIG. 6

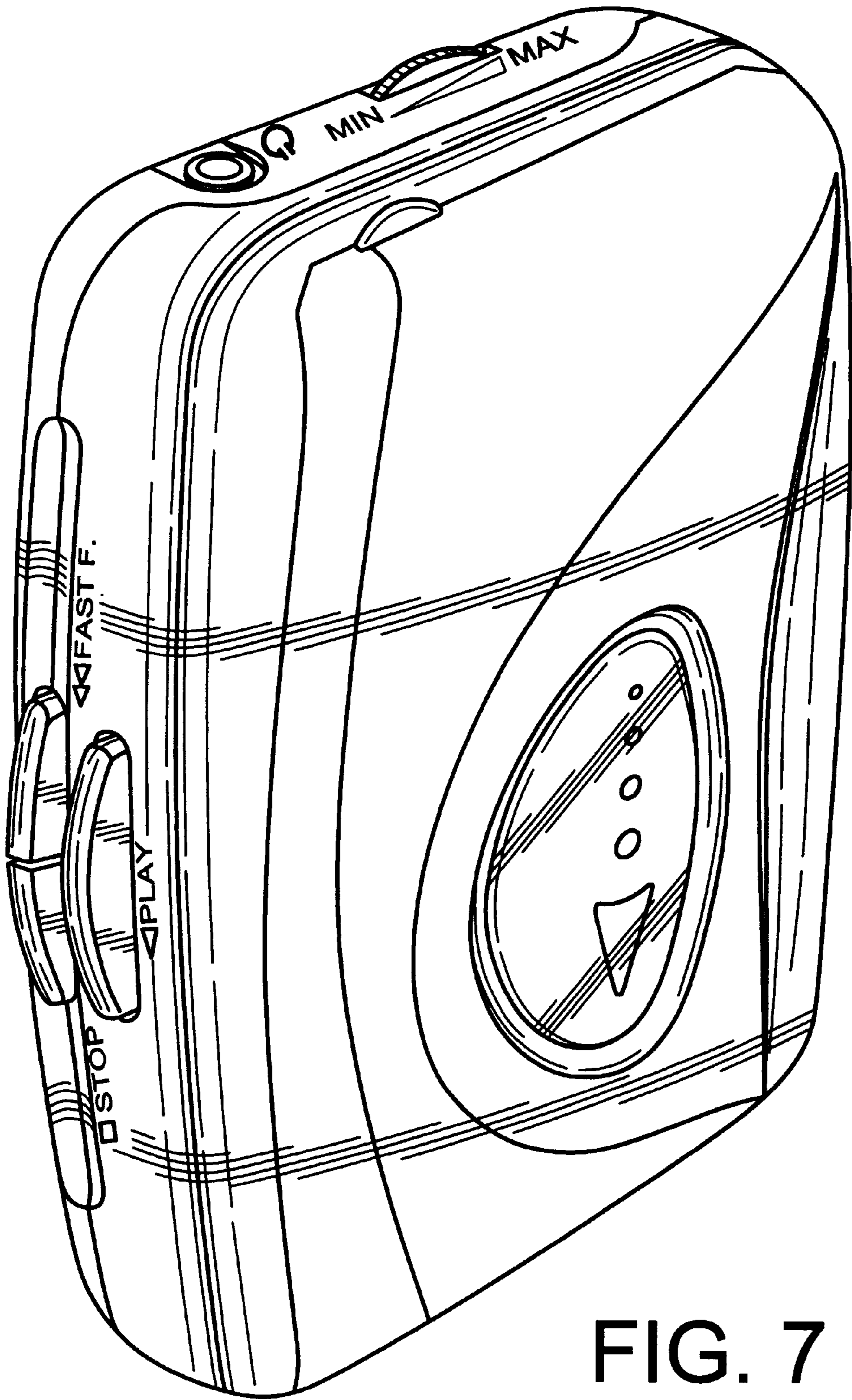


FIG. 7