



US00D425502S

# United States Patent [19]

Renk, Jr. et al.

[11] Patent Number: **Des. 425,502**

[45] Date of Patent: **\*\* May 23, 2000**

[54] **PORTABLE TELEVISION**

[75] Inventors: **Thomas E. Renk, Jr.**, Indianapolis;  
**Mark A. Smith**, New Palestine, both of Ind.

[73] Assignee: **Thomson Consumer Electronics, Inc.**, Indianapolis, Ind.

[\*\*] Term: **14 Years**

[21] Appl. No.: **29/072,506**

[22] Filed: **Jun. 19, 1997**

[51] **LOC (7) Cl.** ..... **14-03**

[52] **U.S. Cl.** ..... **D14/126**

[58] **Field of Search** ..... D14/113, 124-134;  
312/7.2; 348/836, 838

[56] **References Cited**

**U.S. PATENT DOCUMENTS**

D. 316,260	4/1991	Renk, Jr.	.....	D14/114
D. 317,304	6/1991	Renk, Jr.	.....	D14/126
D. 322,433	12/1991	Renk, Jr. et al.	.....	D14/133
D. 338,667	8/1993	Renk, Jr.	.....	D14/126
D. 348,456	7/1994	Renk, Jr.	.....	D14/126
D. 352,027	11/1994	Renk	.....	D14/126
D. 371,551	7/1996	Renk	.....	D14/126

D. 371,552	7/1996	Akiyama et al.	.....	D14/129
D. 372,026	7/1996	Akiyama et al.	.....	D14/126
D. 373,583	9/1996	Akiyama et al.	.....	D14/126
D. 376,798	12/1996	Renk	.....	D14/133

*Primary Examiner*—Ted Shooman  
*Assistant Examiner*—Richelle Shelton  
*Attorney, Agent, or Firm*—Woodard, Emhardt, Naughton, Moriarty & McNett Patent and Trademark Attorneys

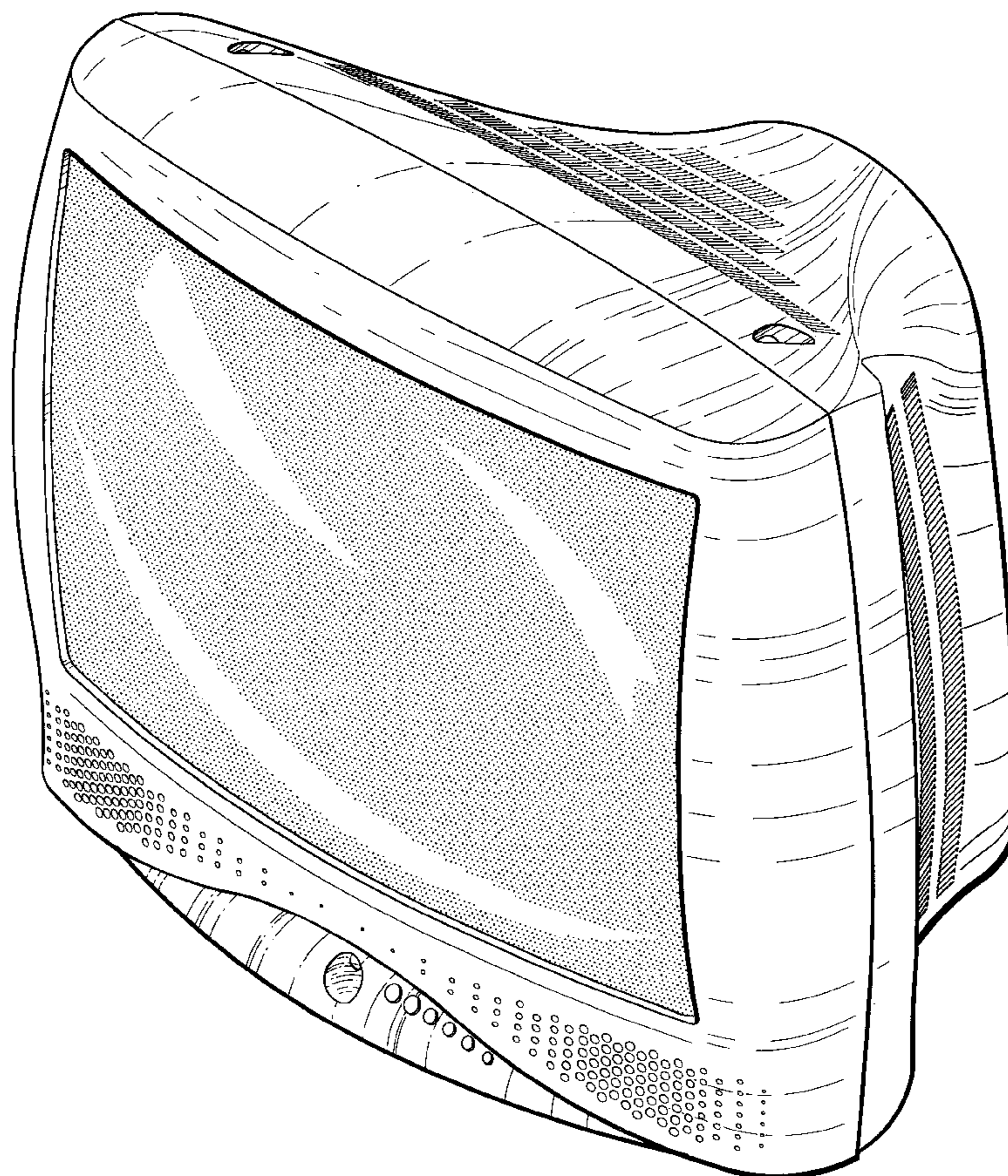
[57] **CLAIM**

The ornamental design for a portable television, as shown and described.

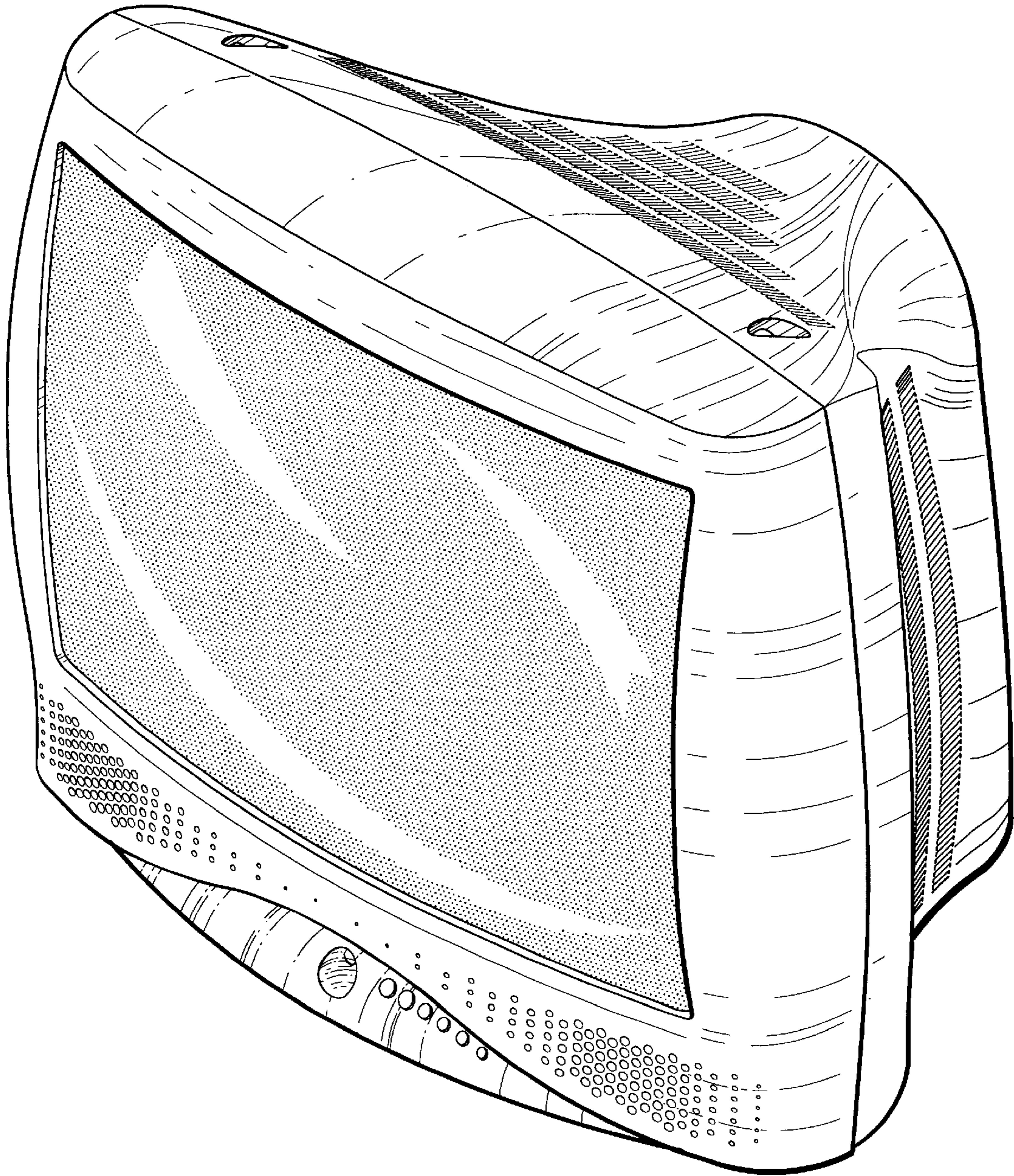
**DESCRIPTION**

FIG. 1 is a top, front, and right side perspective view of a portable television, showing the new design; FIG. 2 is a top, rear, and right side perspective view thereof; FIG. 3 is a front elevational view thereof; FIG. 4 is rear elevational view thereof; FIG. 5 is a top plan view thereof, with the front of the new design toward the bottom; FIG. 6 is a bottom plan view thereof with the front of the new design toward the bottom; and, FIG. 7 is a right side elevational view thereof, the left side elevational view being a mirror image.

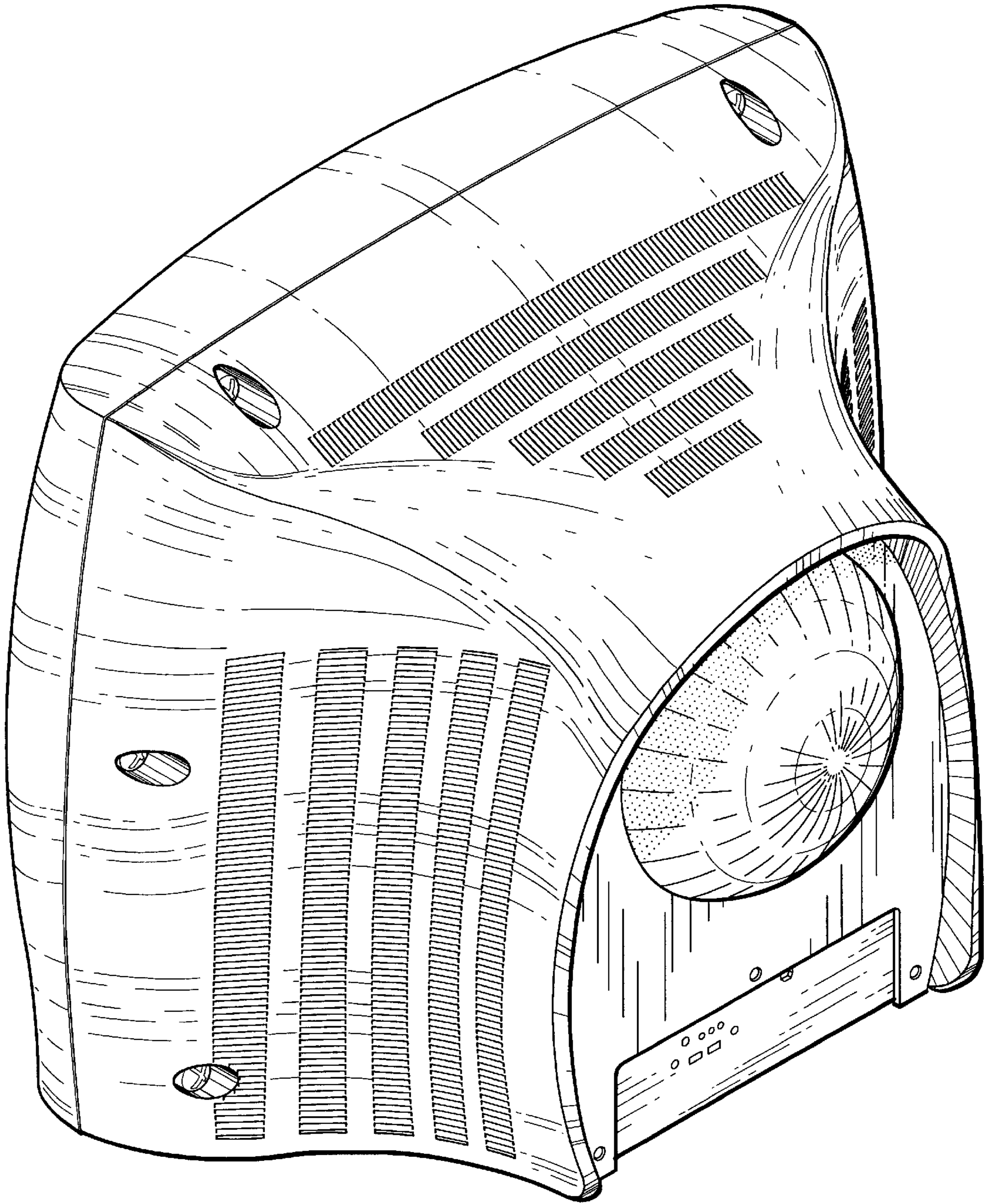
**1 Claim, 7 Drawing Sheets**





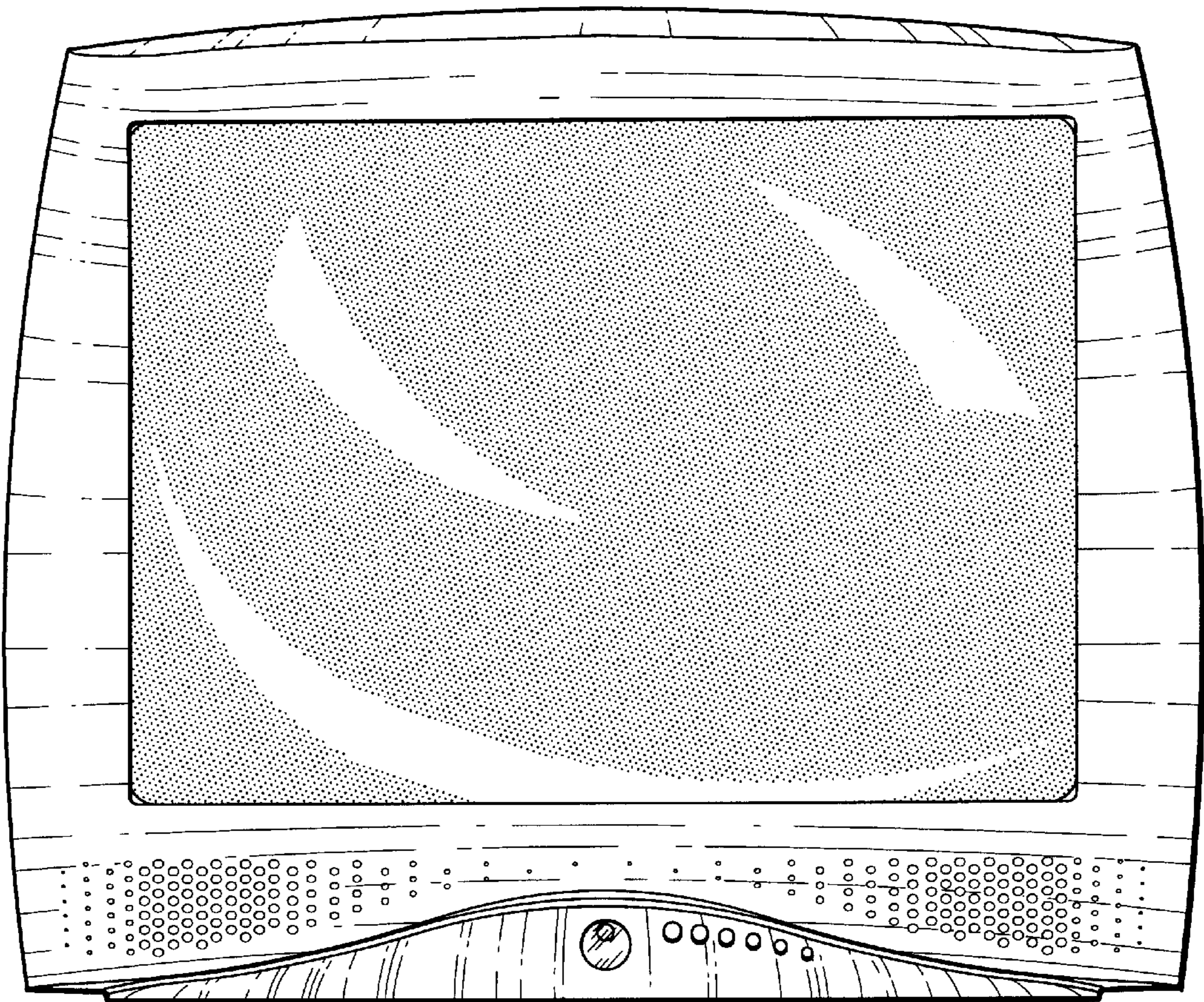


**Fig. 1**

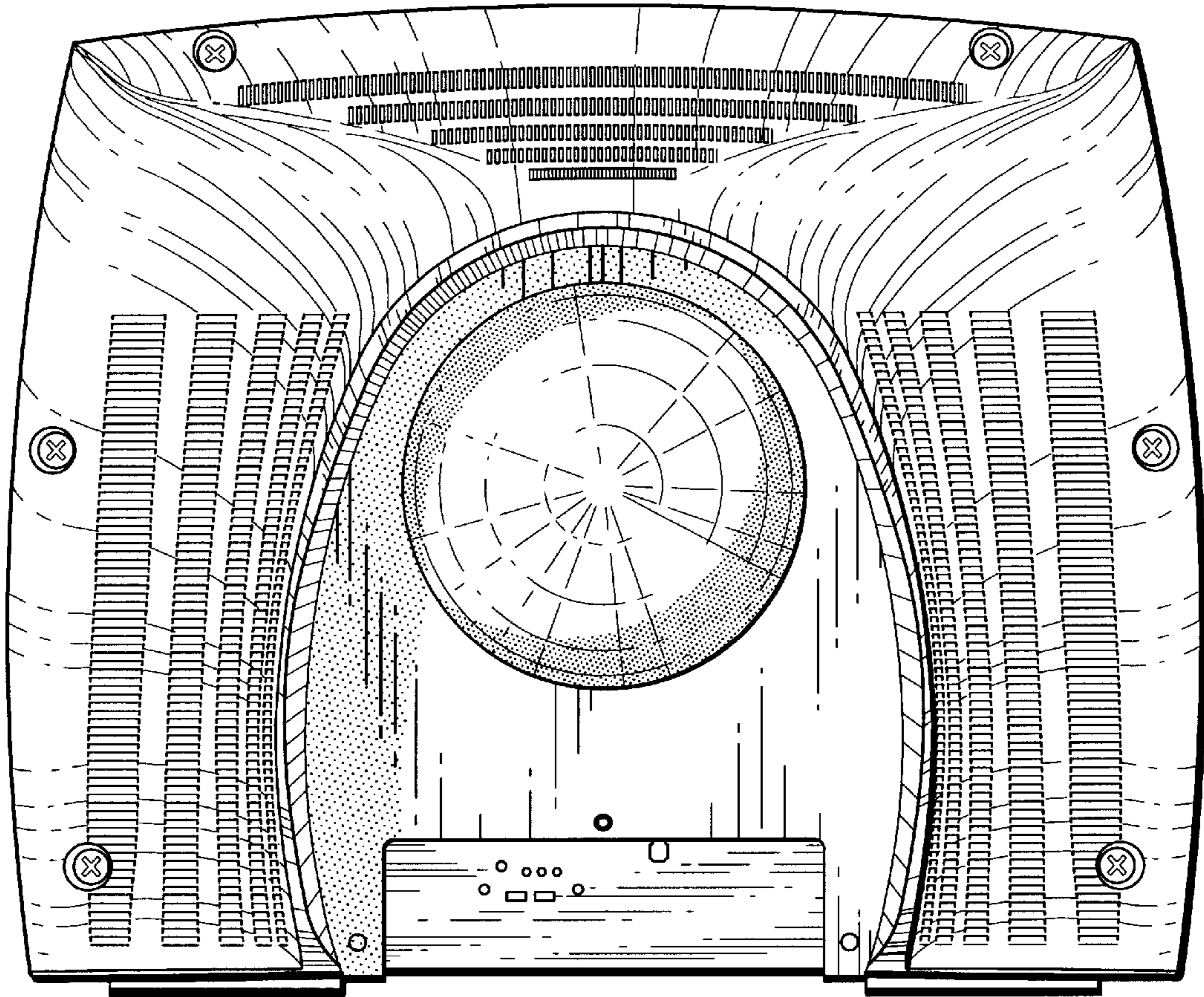


**Fig. 2**

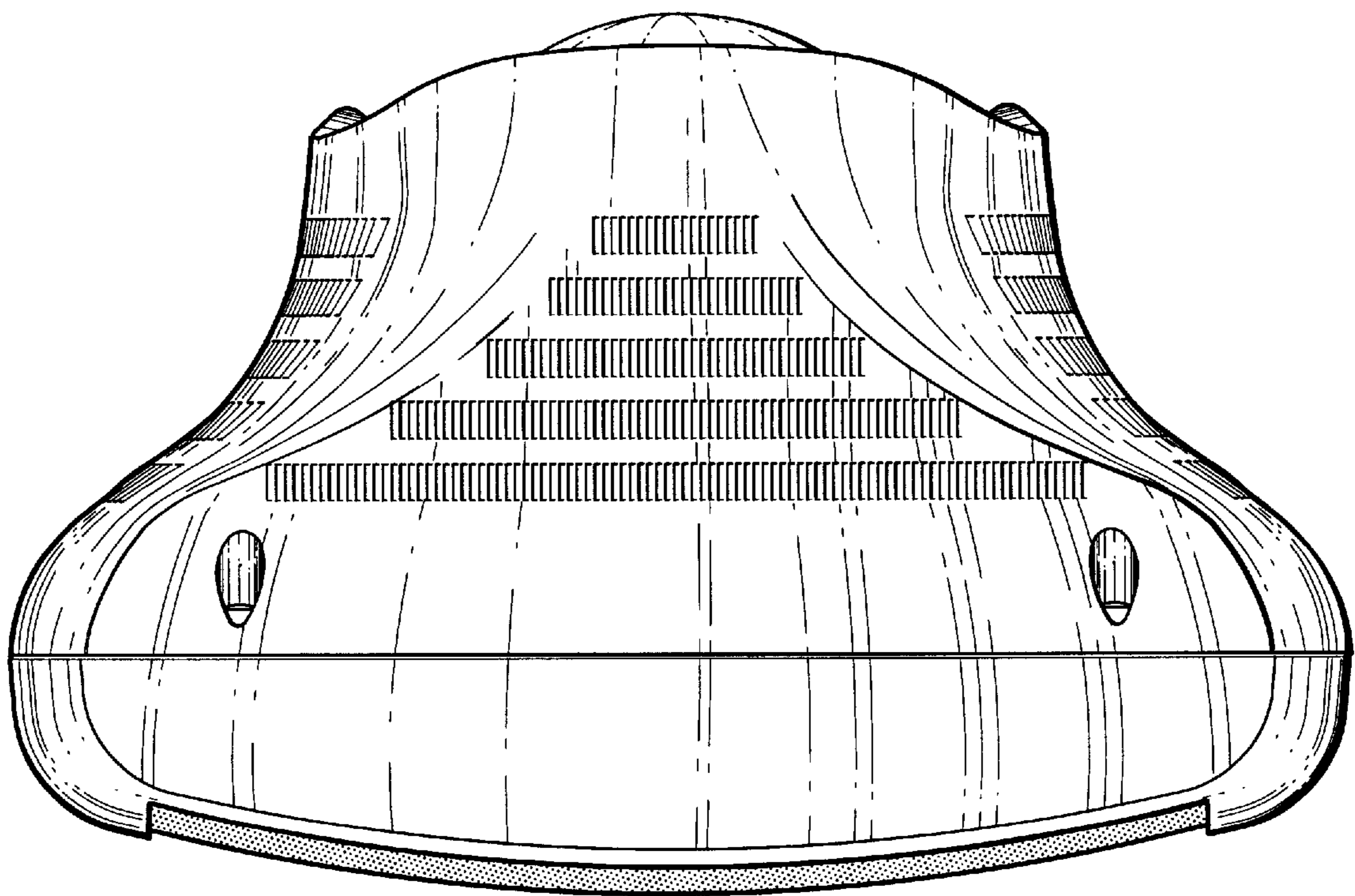




**Fig. 3**

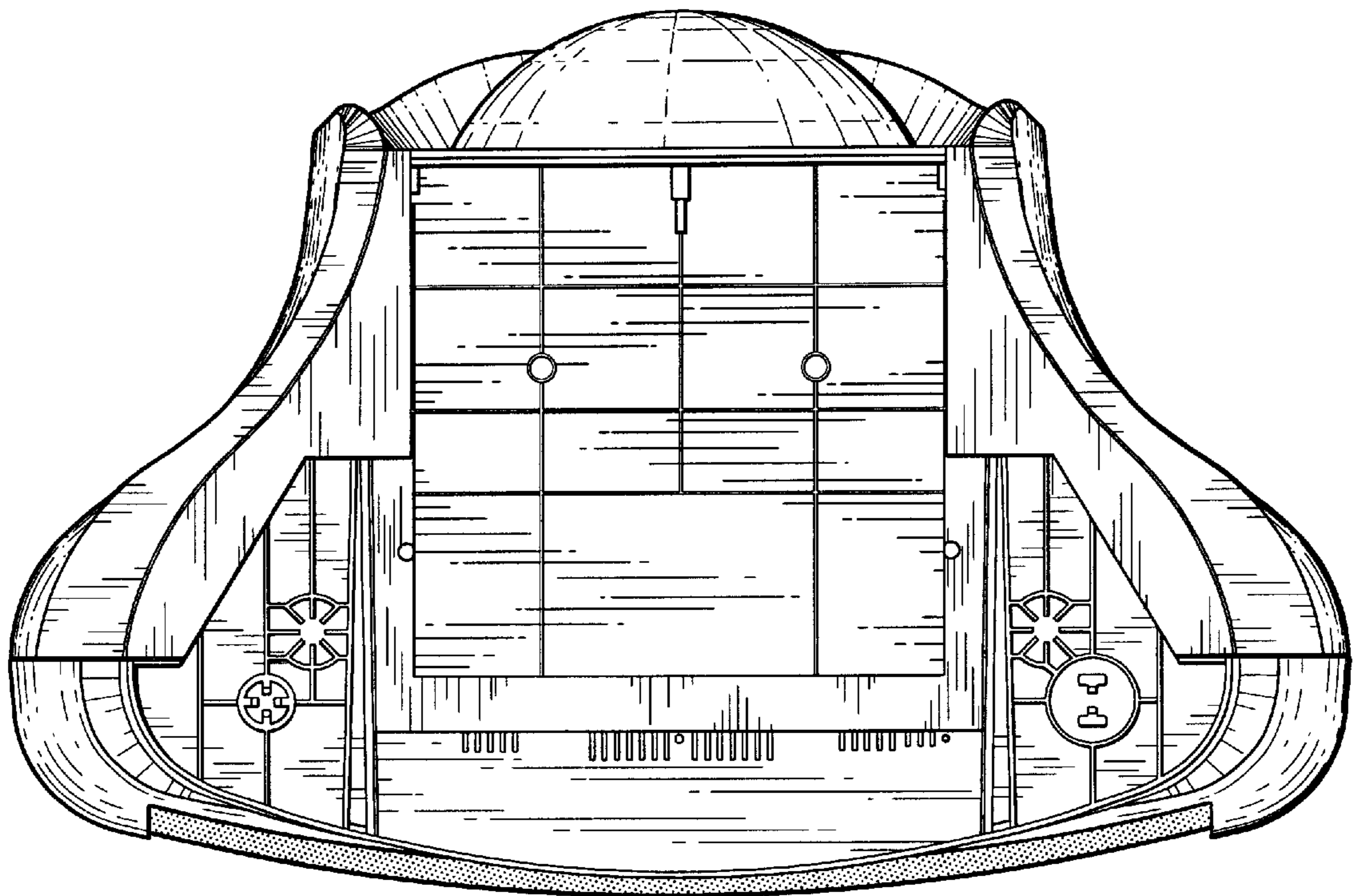


**Fig. 4**

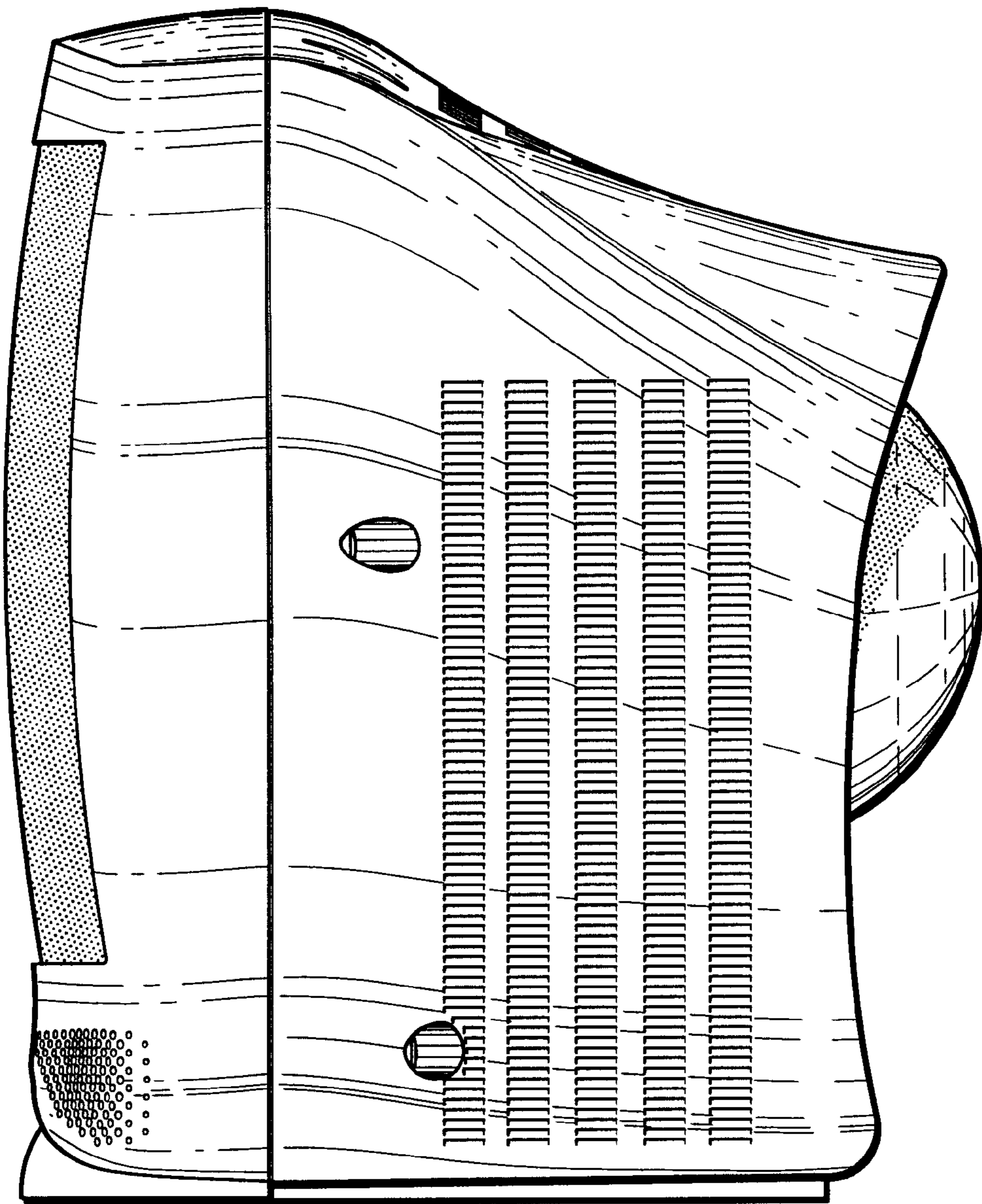


**Fig. 5**





**Fig. 6**



**Fig. 7**