



US00D425500S

United States Patent [19]

Arai et al.

[11] Patent Number: **Des. 425,500**

[45] Date of Patent: **** May 23, 2000**

[54] **KEYBOARD FOR COMPUTER**

[75] Inventors: **Hidebumi Arai; Hideto Iwamoto**, both of Tokyo, Japan

[73] Assignee: **Mitsubishi Denki Kabushiki Kaisha**, Tokyo, Japan

[**] Term: **14 Years**

[21] Appl. No.: **29/082,191**

[22] Filed: **Jan. 16, 1998**

[30] **Foreign Application Priority Data**

Sep. 8, 1997 [JP] Japan 9-67083

[51] **LOC (7) Cl.** **14-02**

[52] **U.S. Cl.** **D14/115**

[58] **Field of Search** D14/100, 101, D14/106, 115, 114, 247; D18/1, 2, 7; 235/145 A, 145 R; 345/160, 168; 341/22, 23; 364/708.1; 400/472, 479, 484-486, 488, 489, 492; 708/141

[56] **References Cited**

U.S. PATENT DOCUMENTS

D. 335,660 5/1993 Busch D14/115

D. 384,043 9/1997 Tamaki D14/106
D. 410,900 6/1999 Iwamoto et al. D14/106
D. 411,518 6/1999 Shirasu et al. D14/106

Primary Examiner—Freda Nunn
Attorney, Agent, or Firm—Oblon, Spivak, McClelland, Maier & Neustadt, P.C.

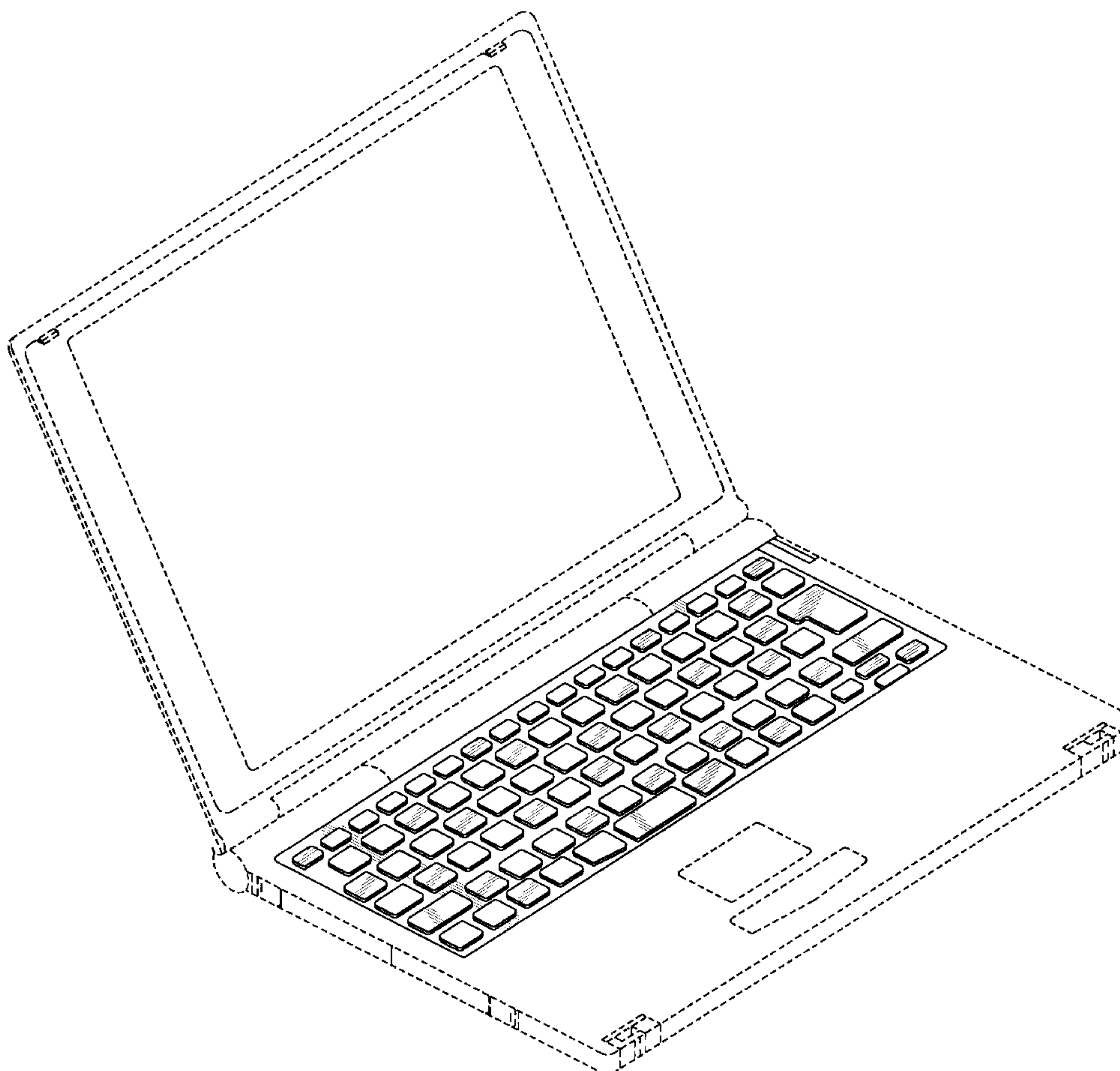
[57] **CLAIM**

The ornamental design for a keyboard for computer, as shown and described.

DESCRIPTION

FIG. 1 is a front elevational view for keyboard for computer embodying our new design;
FIG. 2 is a rear elevational view thereof;
FIG. 3 is a top plan view thereof;
FIG. 4 is a bottom plan view thereof;
FIG. 5 is a left side elevational view thereof;
FIG. 6 is a right side elevational view thereof;
FIG. 7 is a cross-sectional view thereof taken along line 7—7 in FIG. 1; and,
FIG. 8 is a top, front and left side perspective view thereof when in use with a computer.
The phantom line showing of the computer in FIG. 8 is for illustrative purposes only and forms no part of the claimed design.

1 Claim, 5 Drawing Sheets



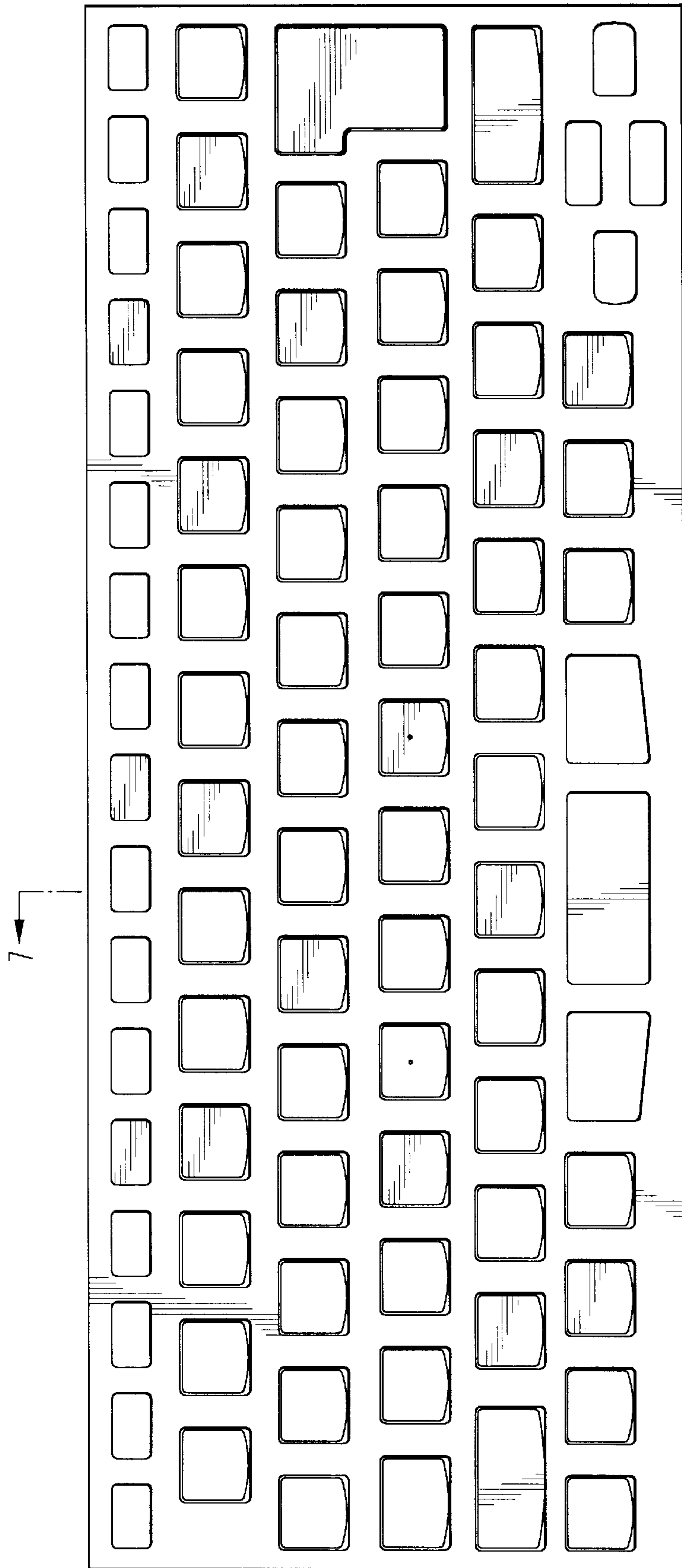


FIG. 1

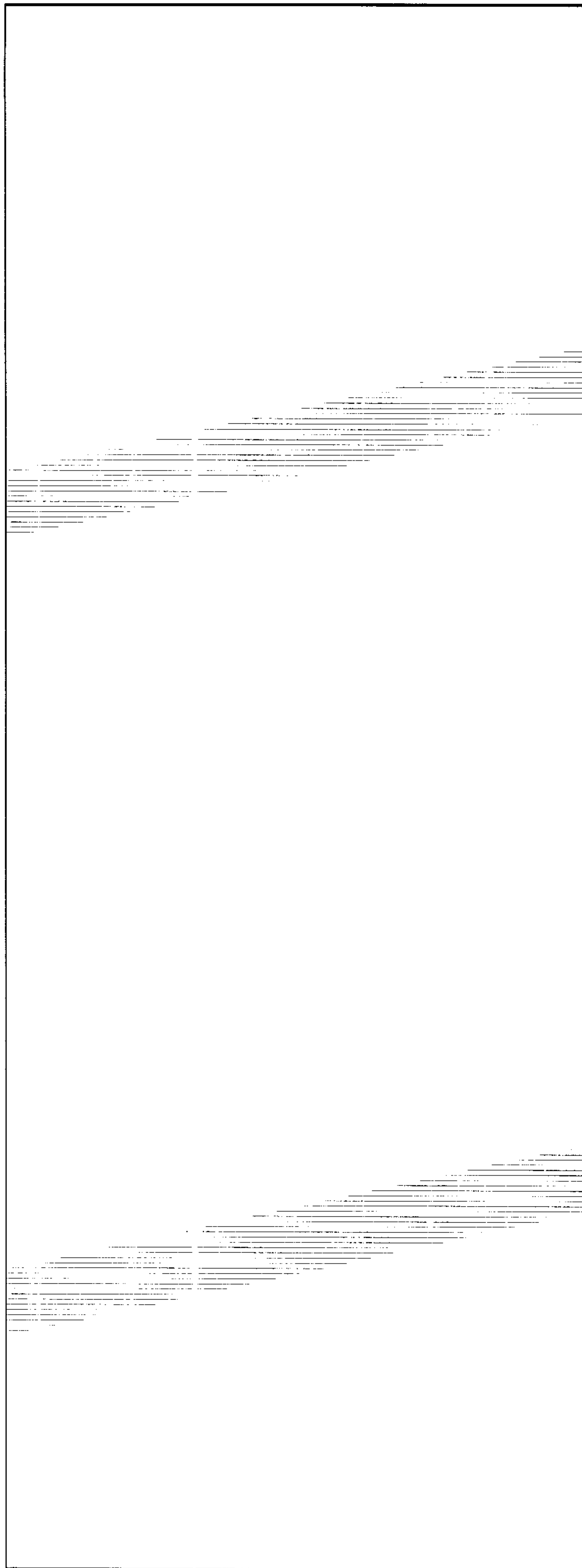


FIG. 2



FIG. 3



FIG. 4



FIG. 5

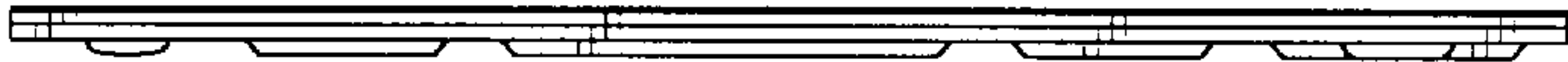


FIG. 6

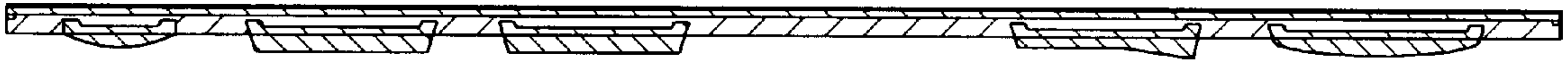


FIG. 7

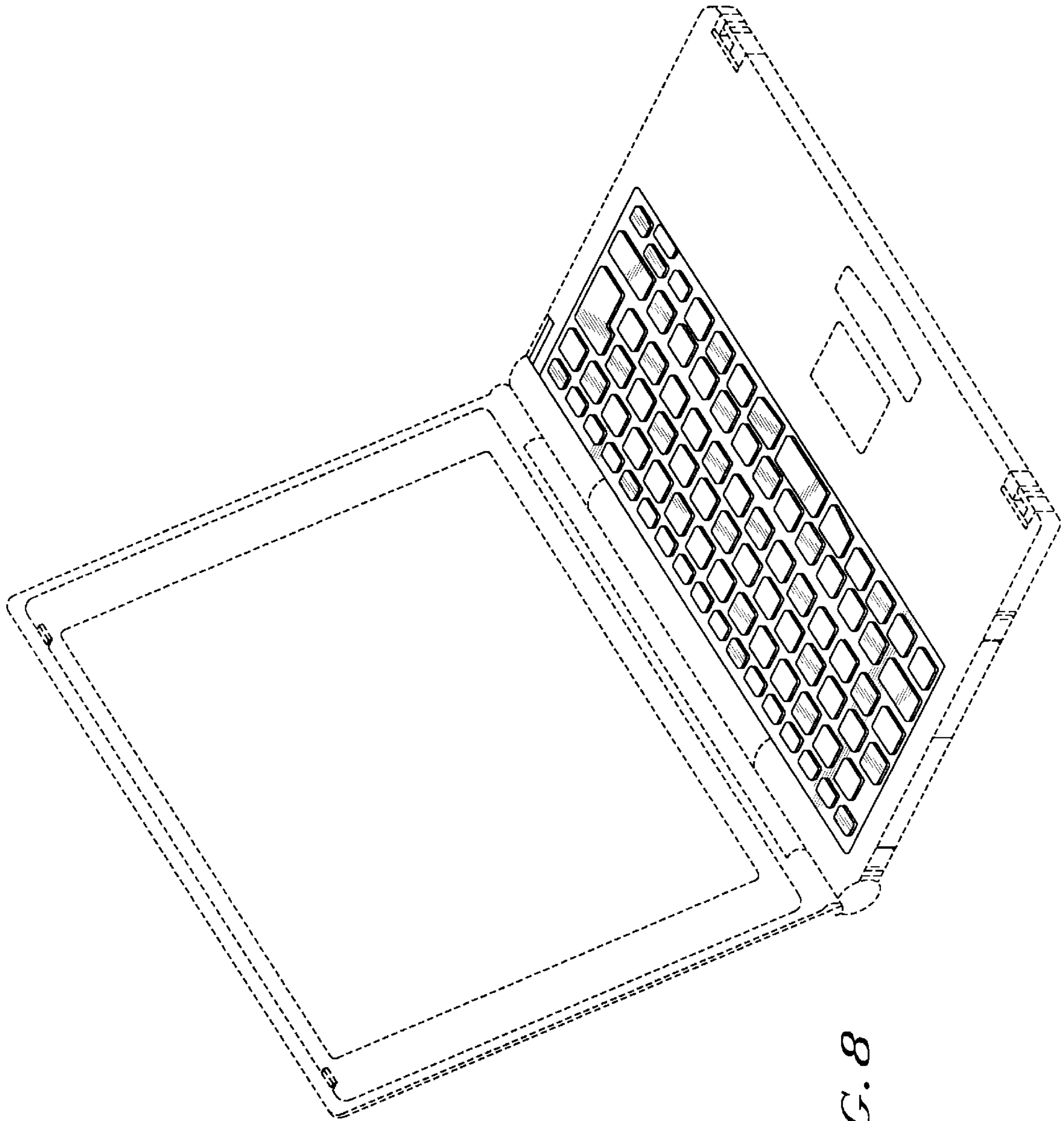


FIG. 8