



US00D425496S

# United States Patent [19]

[11] **Patent Number: Des. 425,496**

**Faris et al.**

[45] **Date of Patent: \*\* May 23, 2000**

[54] **WINDOW FOR A COMPUTER DISPLAY SCREEN**

[75] Inventors: **James P. Faris**, Santa Cruz; **Jeffrey E. Tycz**, Sunnyvale, both of Calif.

[73] Assignee: **Apple Computer, Inc.**, Cupertino, Calif.

[\*\*] Term: **14 Years**

[21] Appl. No.: **29/087,502**

[22] Filed: **May 4, 1998**

### Related U.S. Application Data

[62] Division of application No. 29/038,515, May 5, 1995, abandoned.

[51] **LOC (7) Cl. .... 14-02**

[52] **U.S. Cl. .... D14/114.1**

[58] **Field of Search** ..... D14/114, 114.1-114.9; D18/24-33; D19/6; D20/11; D21/324-33; 345/326, 339-40, 347-57

### [56] References Cited

#### U.S. PATENT DOCUMENTS

- D. 296,114 6/1988 Wells-Papanek et al. .
- D. 297,243 8/1988 Wells-Papanek et al. .
- D. 391,559 3/1998 Faris et al. .... D14/114.1
- D. 392,264 3/1998 Marshall, Jr. et al. .... D14/114.1
- D. 401,230 11/1998 Marshall, Jr. et al. .... D14/114.1
- D. 402,284 12/1998 Coleman ..... D14/114.2
- D. 404,385 1/1999 Hodgson ..... D14/114.1
- 5,140,677 8/1992 Fleming et al. .
- 5,388,202 2/1995 Squires et al. .

#### OTHER PUBLICATIONS

- World Atlas User's Guide, Software Toolworks, index map, p. 11, 1991.
- MacDraw II User's Manual, Claris, screen, p. 4, 1988.

Microsoft Windows 3.1 User's Guide, Microsoft, screens, p. 48, 215, p. 221, p. 20, 1992.

Hypercard User's Guide, Apple Software, menus, p. 66, 1988.

Mastering WordPerfect 5.1 for Windows, Cybex, windows, pp. 83, 1066, 1992.

Microsoft Window User's Guide, Version 2.0, Microsoft Corp., clipboard screen, p. 132, 1987.

*Primary Examiner*—M. H. Tung

*Attorney, Agent, or Firm*—Helene Plotka Workman

### [57] CLAIM

The ornamental design for a window for a computer display screen, as shown and described.

### DESCRIPTION

FIG. 1 is a front view of a window for a computer display screen;

FIG. 2 is a front view of a second embodiment thereof;

FIG. 3 is a front view of a third embodiment thereof;

FIG. 4 is a front view of a fourth embodiment thereof;

FIG. 5 is a front view of a fifth embodiment thereof;

FIG. 6 is a front view of a sixth embodiment thereof;

FIG. 7 is a front view of a seventh embodiment thereof;

FIG. 8 is a front view of an eighth embodiment thereof;

FIG. 9 is a front view of a ninth embodiment thereof;

FIG. 10 is a front view of a tenth fourth embodiment thereof;

FIG. 11 is a front view of an eleventh embodiment thereof;

FIG. 12 is a front view of a twelfth embodiment thereof;

FIG. 13 is a front view of a thirteenth embodiment thereof;

FIG. 14 is a front view of a fourteenth embodiment thereof;

FIG. 15 is a front view of a fifteenth embodiment thereof;

FIG. 16 is a front view of a sixteenth embodiment thereof;

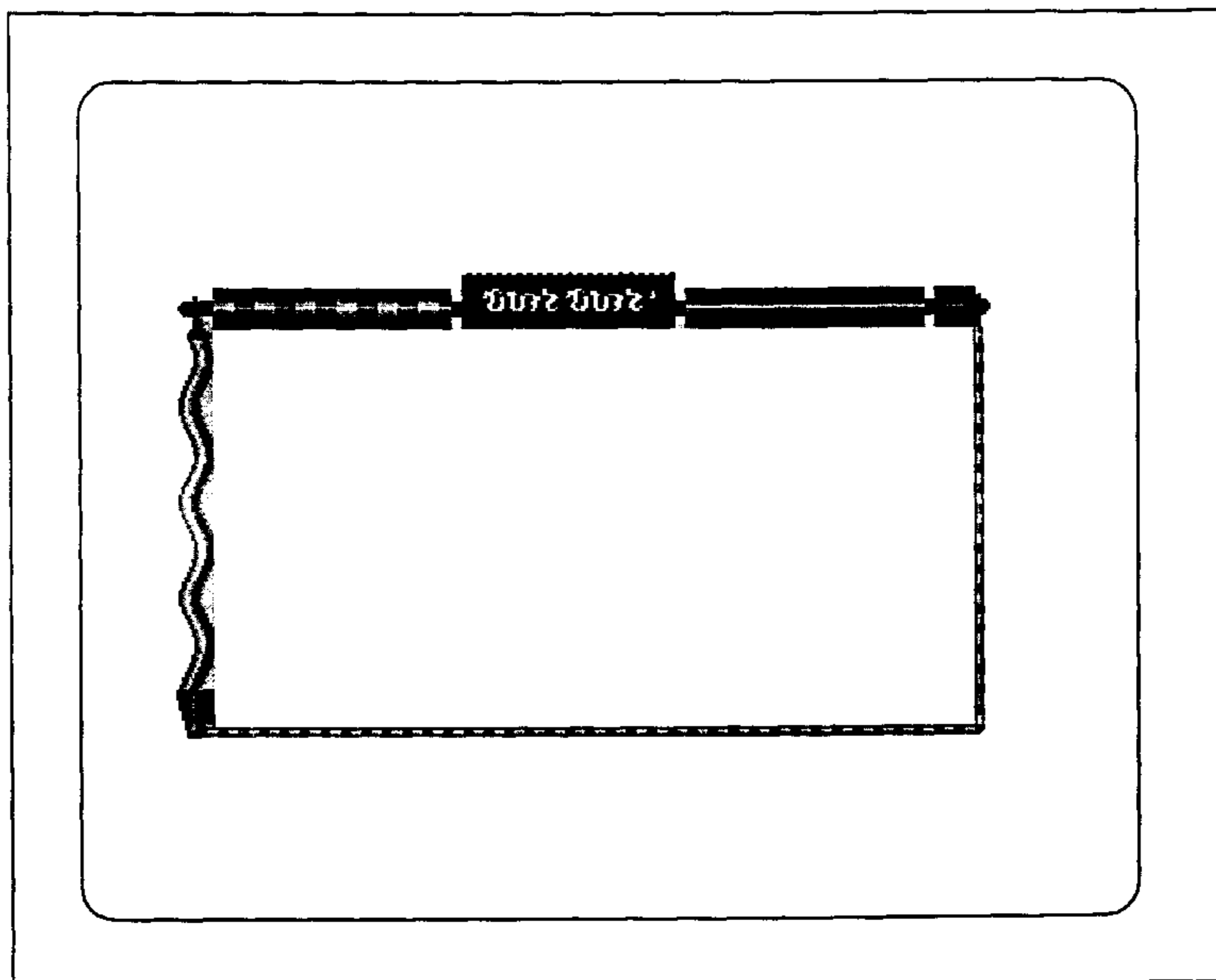
FIG. 17 is a front view of a seventeenth embodiment thereof;

and,

FIG. 18 is a front view of an eighteenth embodiment thereof.

The broken line disclosure shown in FIGS. 3-6, 7, 8, 10, 12, 15-18 is for illustrative purposes only and forms no part of the claimed design.

**1 Claim, 18 Drawing Sheets**



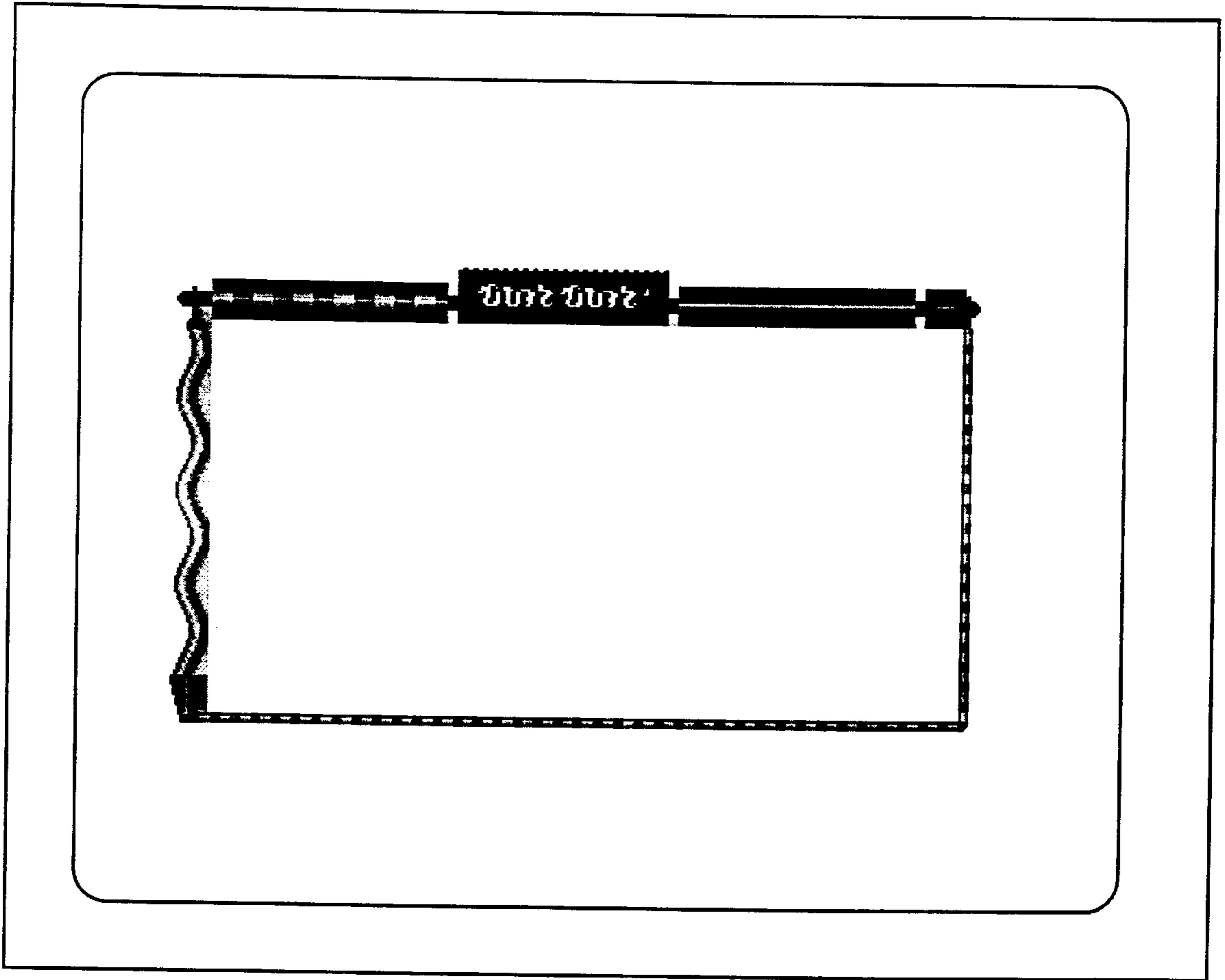


FIG. 1

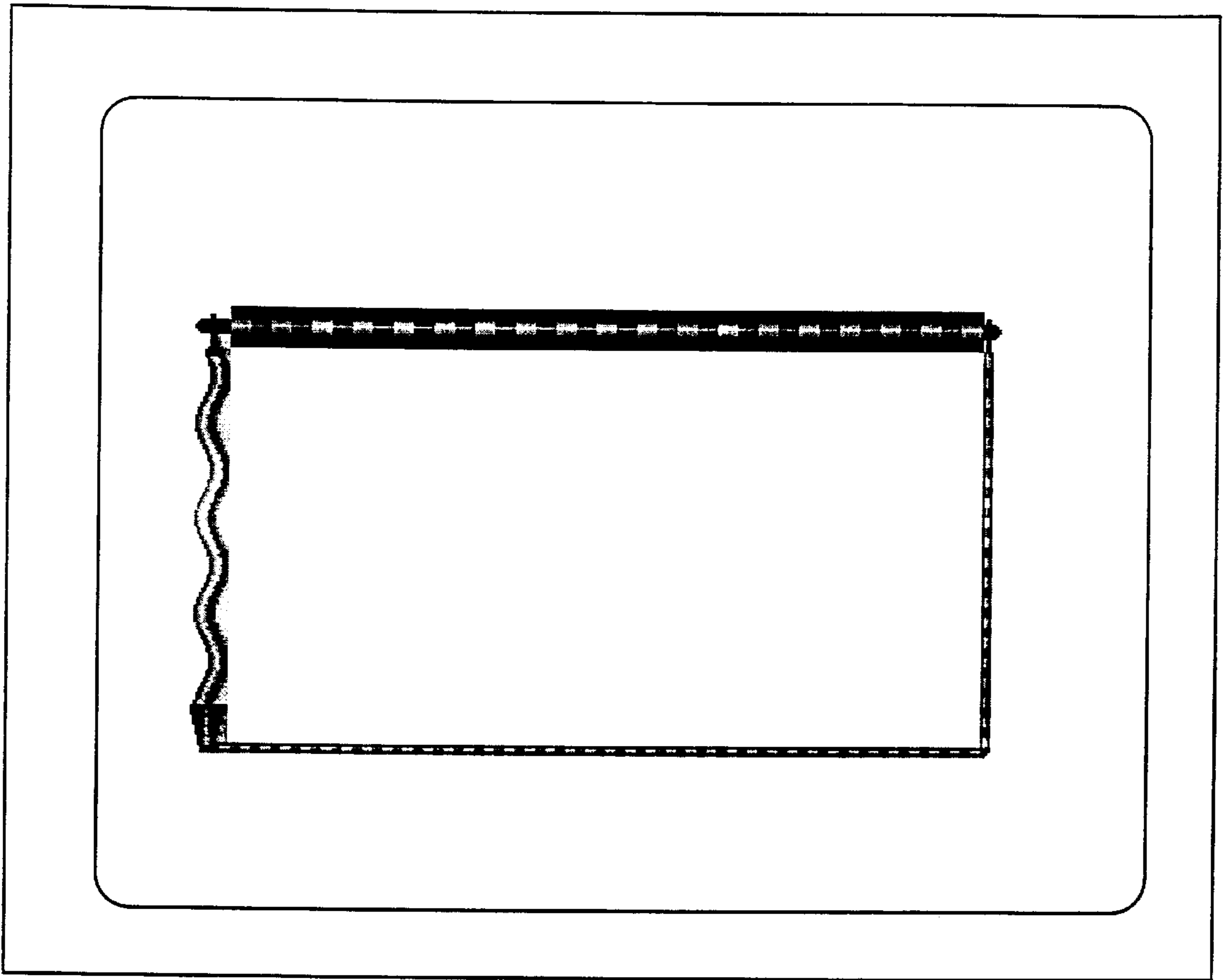


FIG. 2

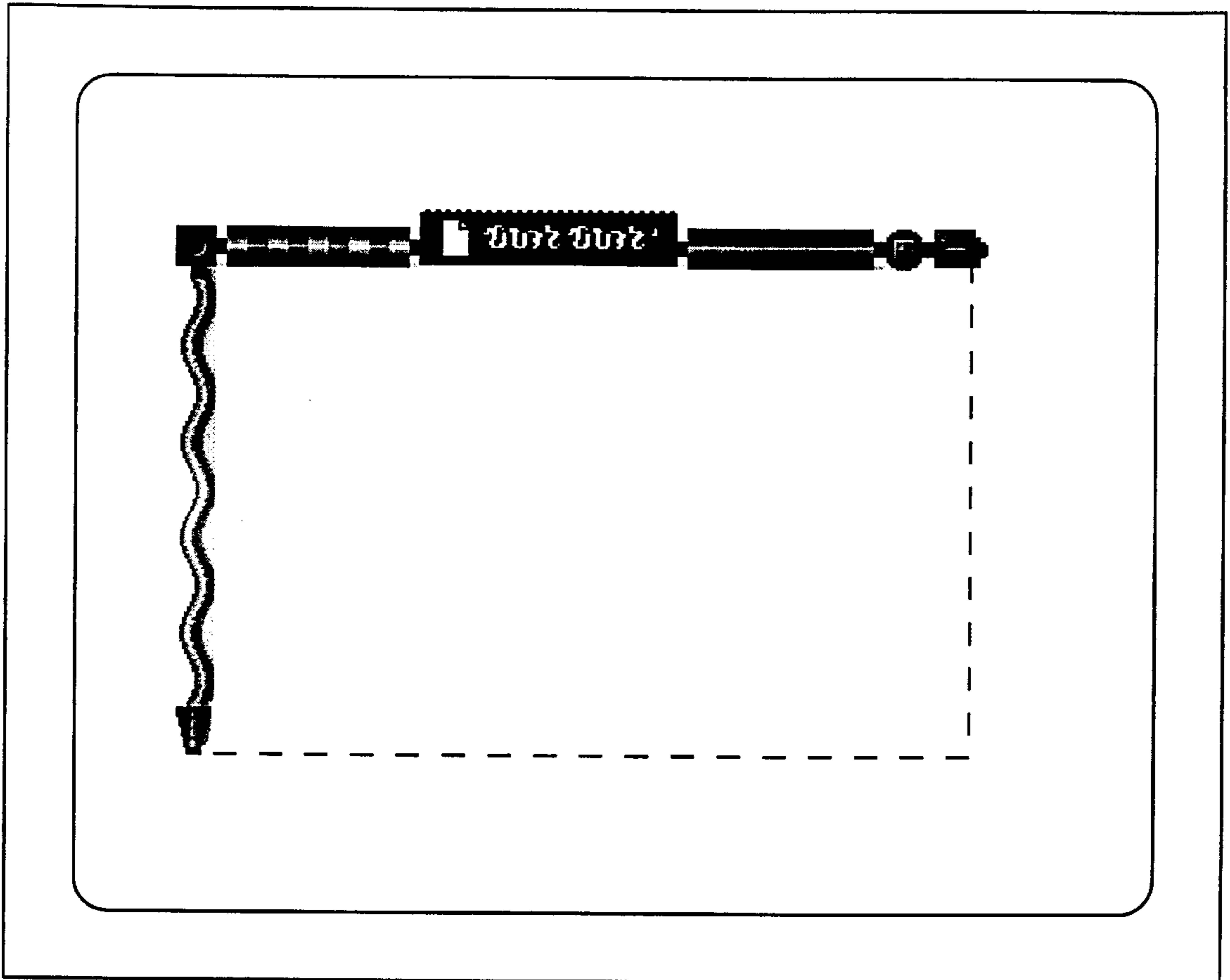


FIG. 3

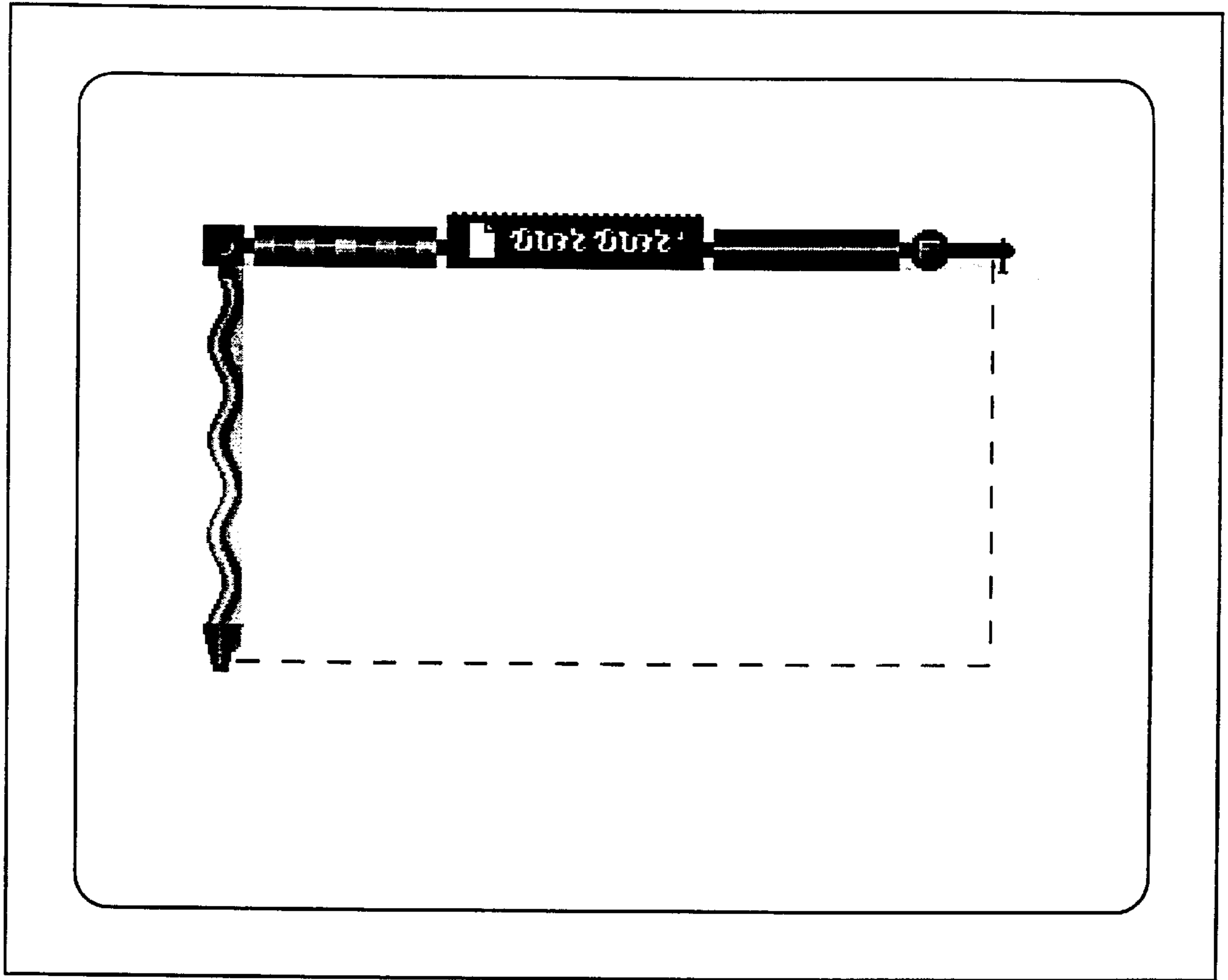


FIG. 4

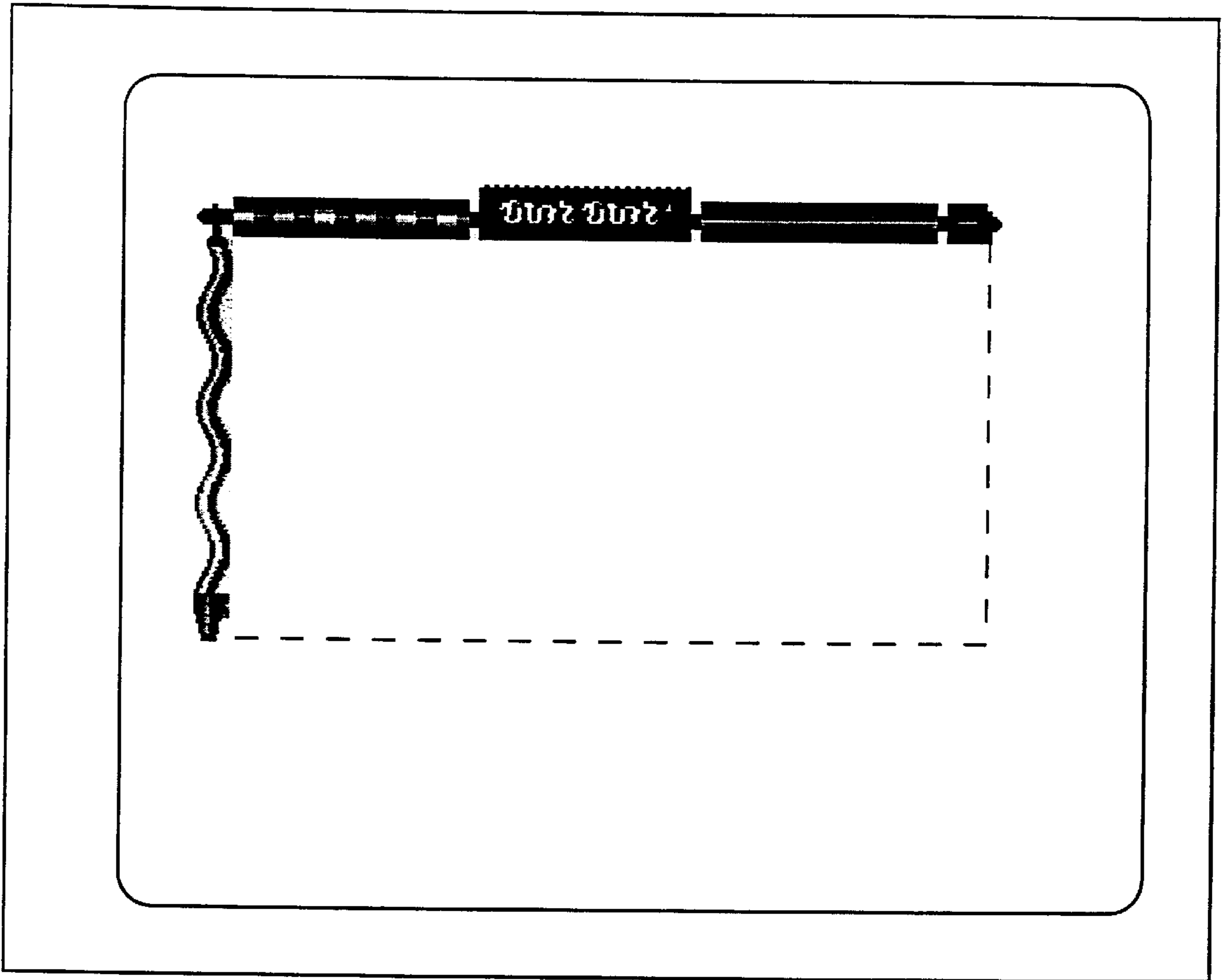


FIG. 5

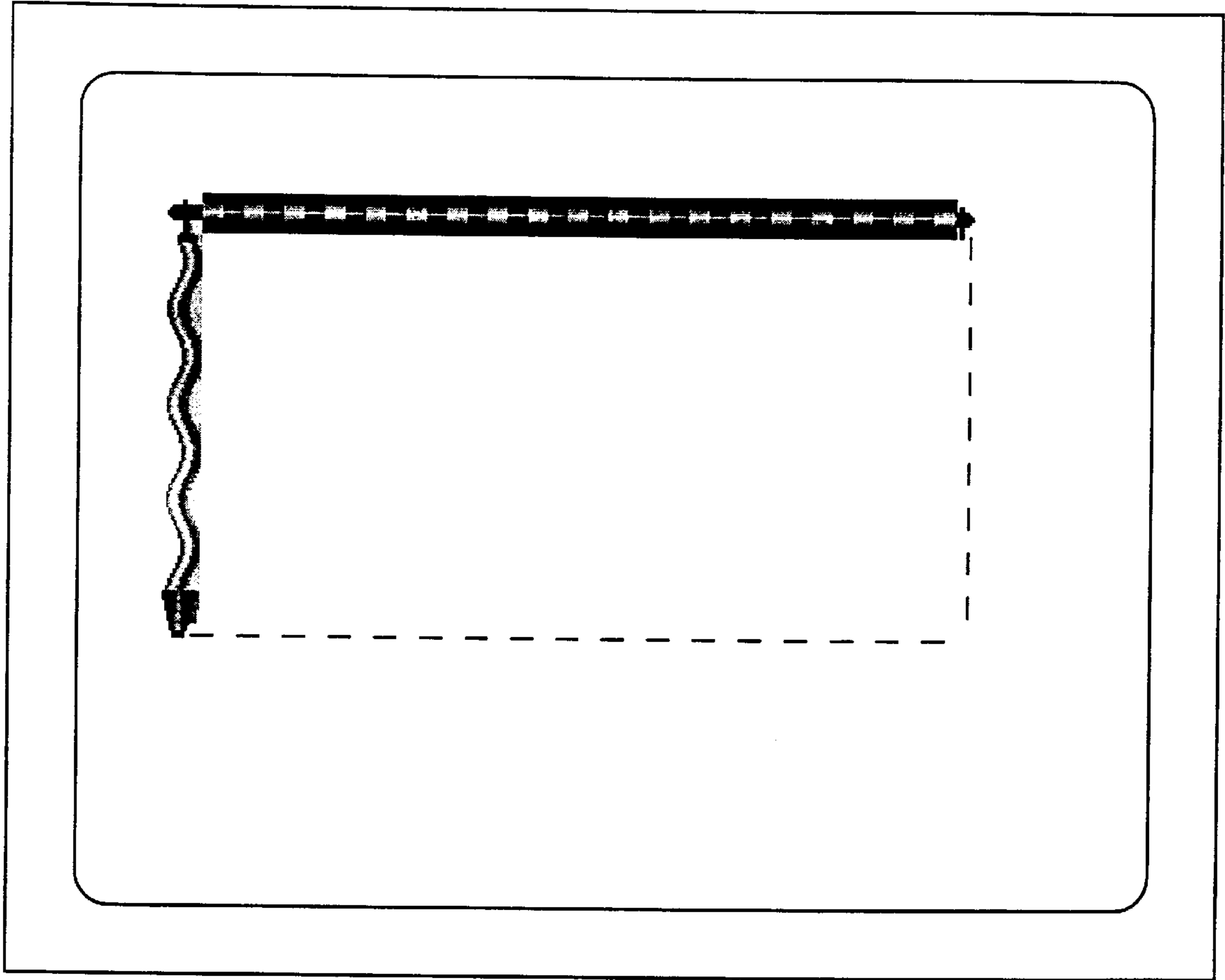


FIG. 6

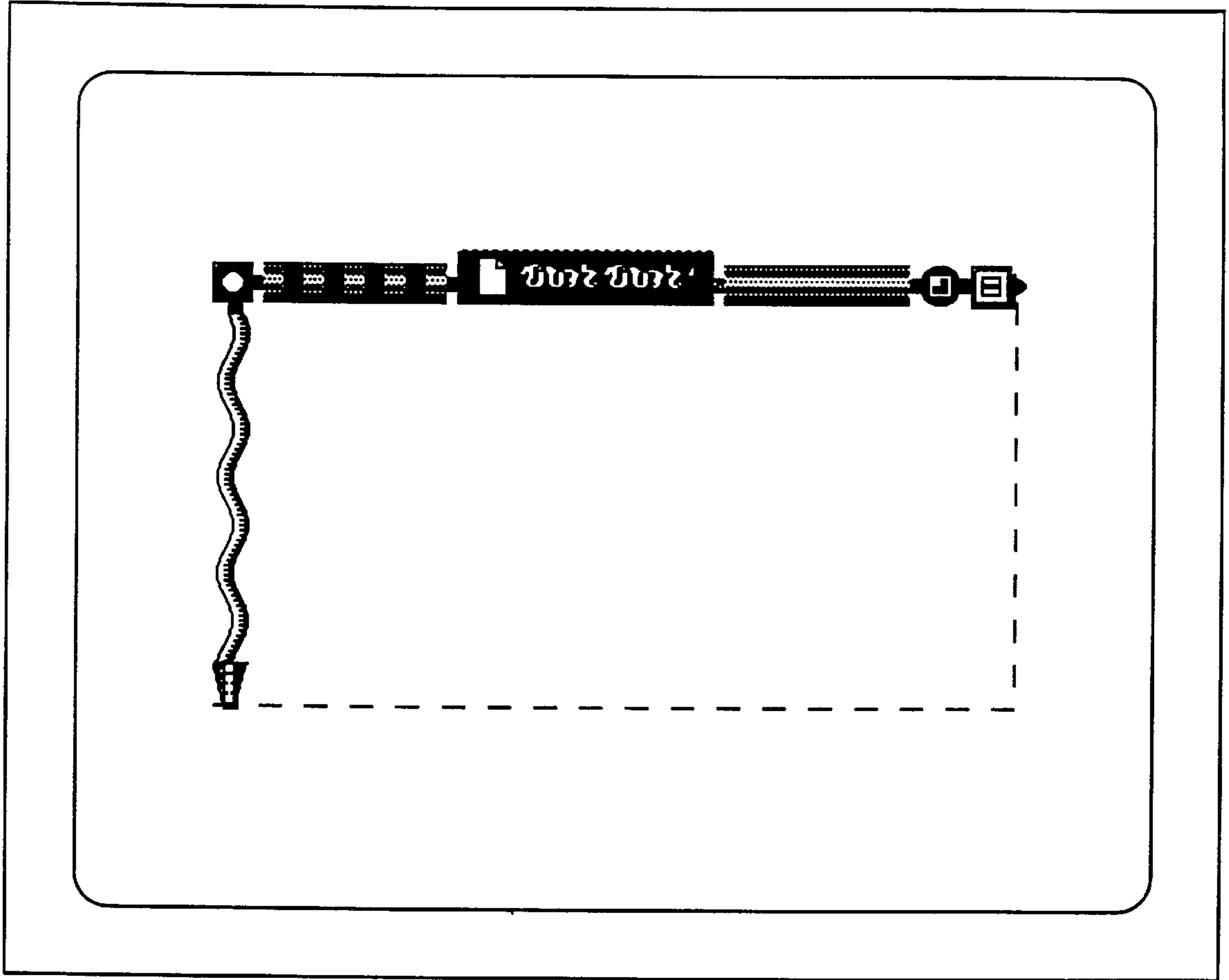


FIG. 7



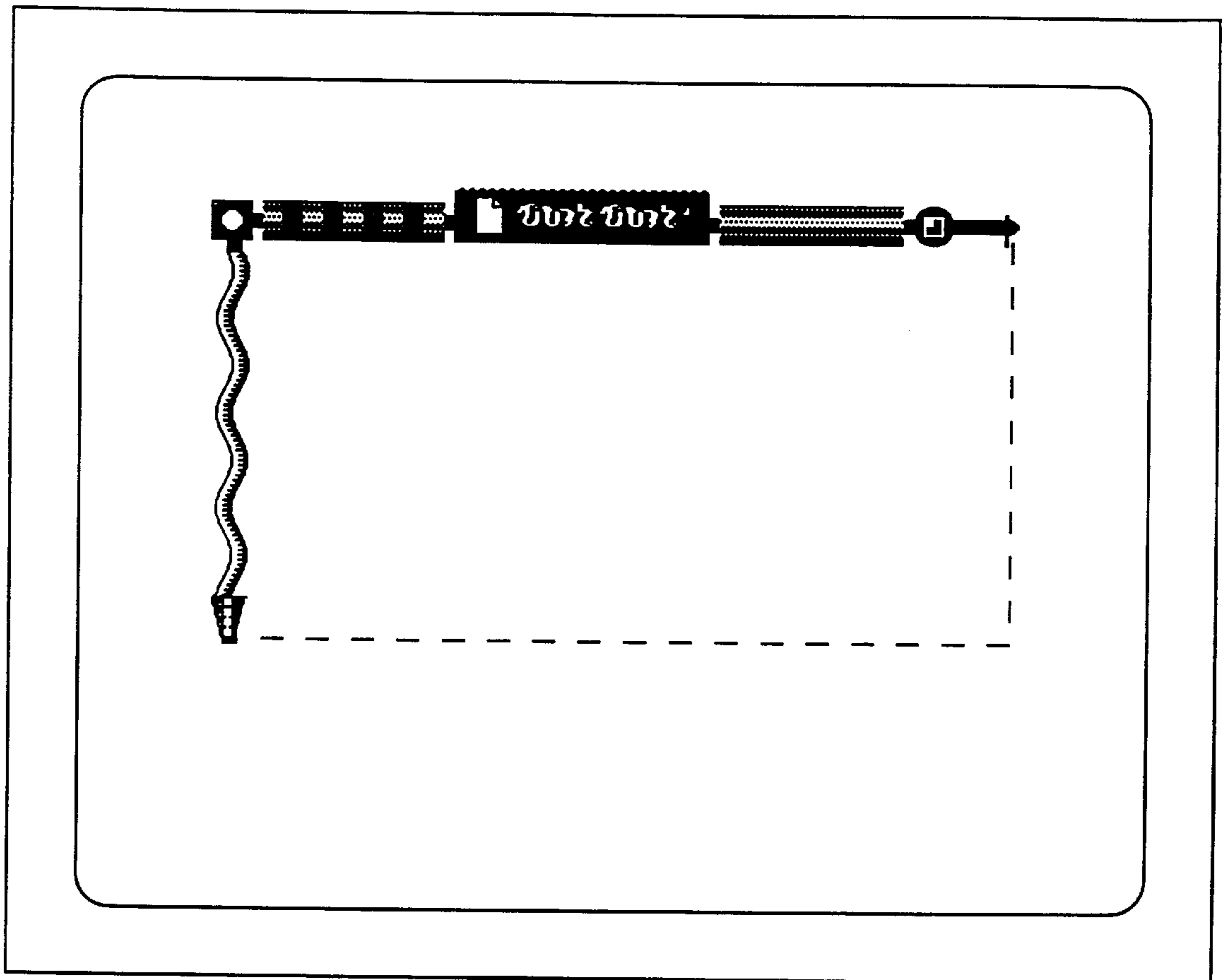


FIG. 8

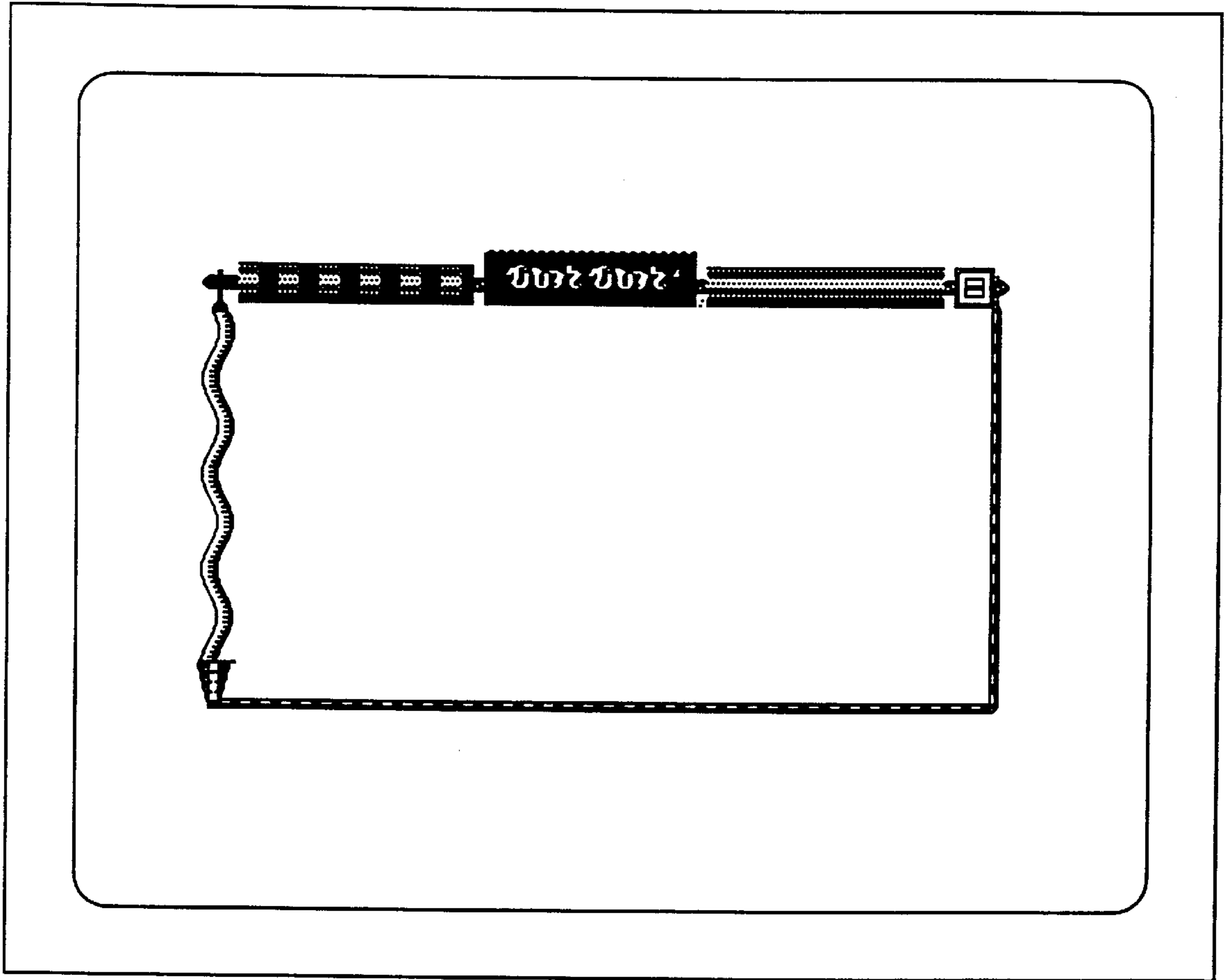


FIG. 9

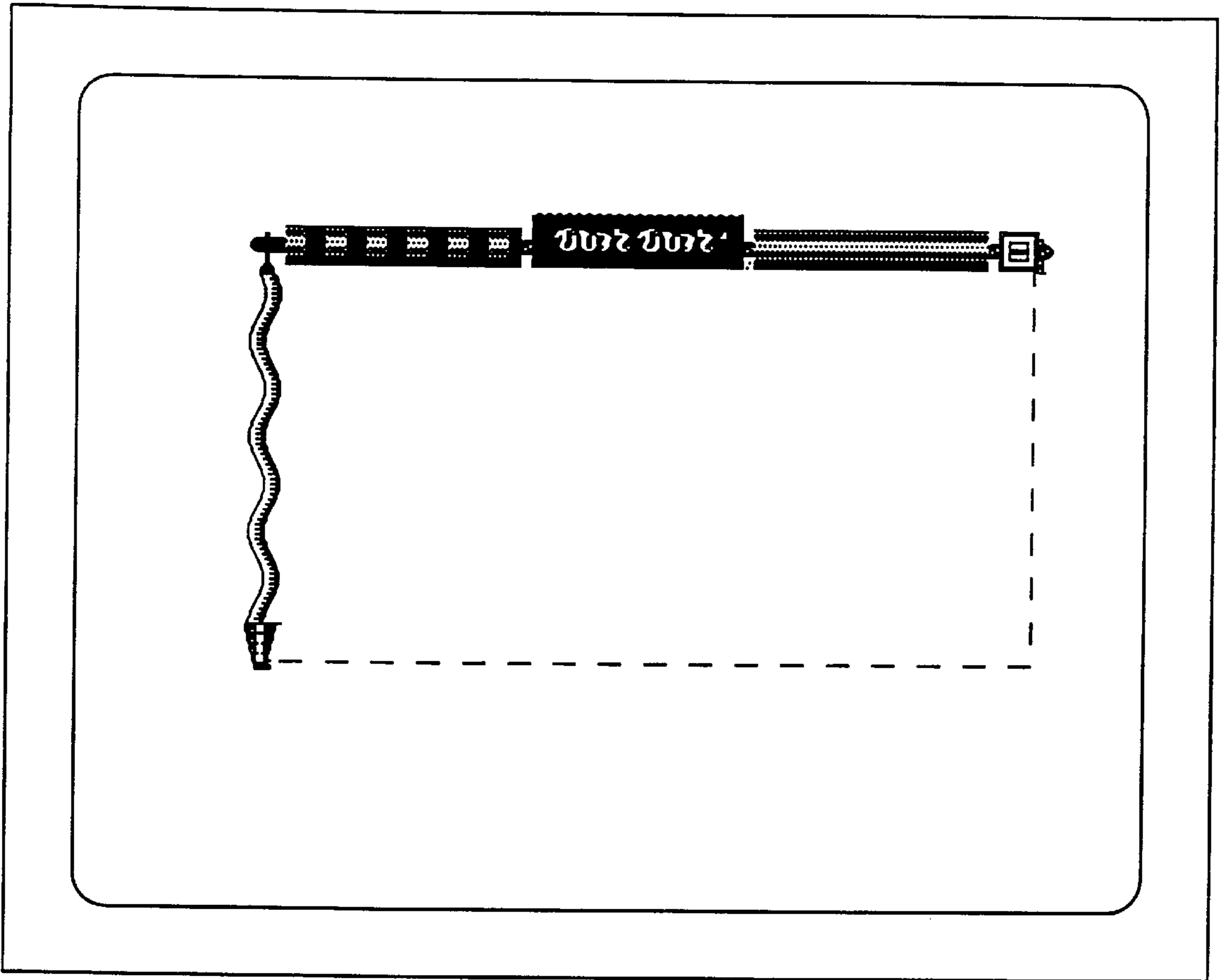


FIG. 10

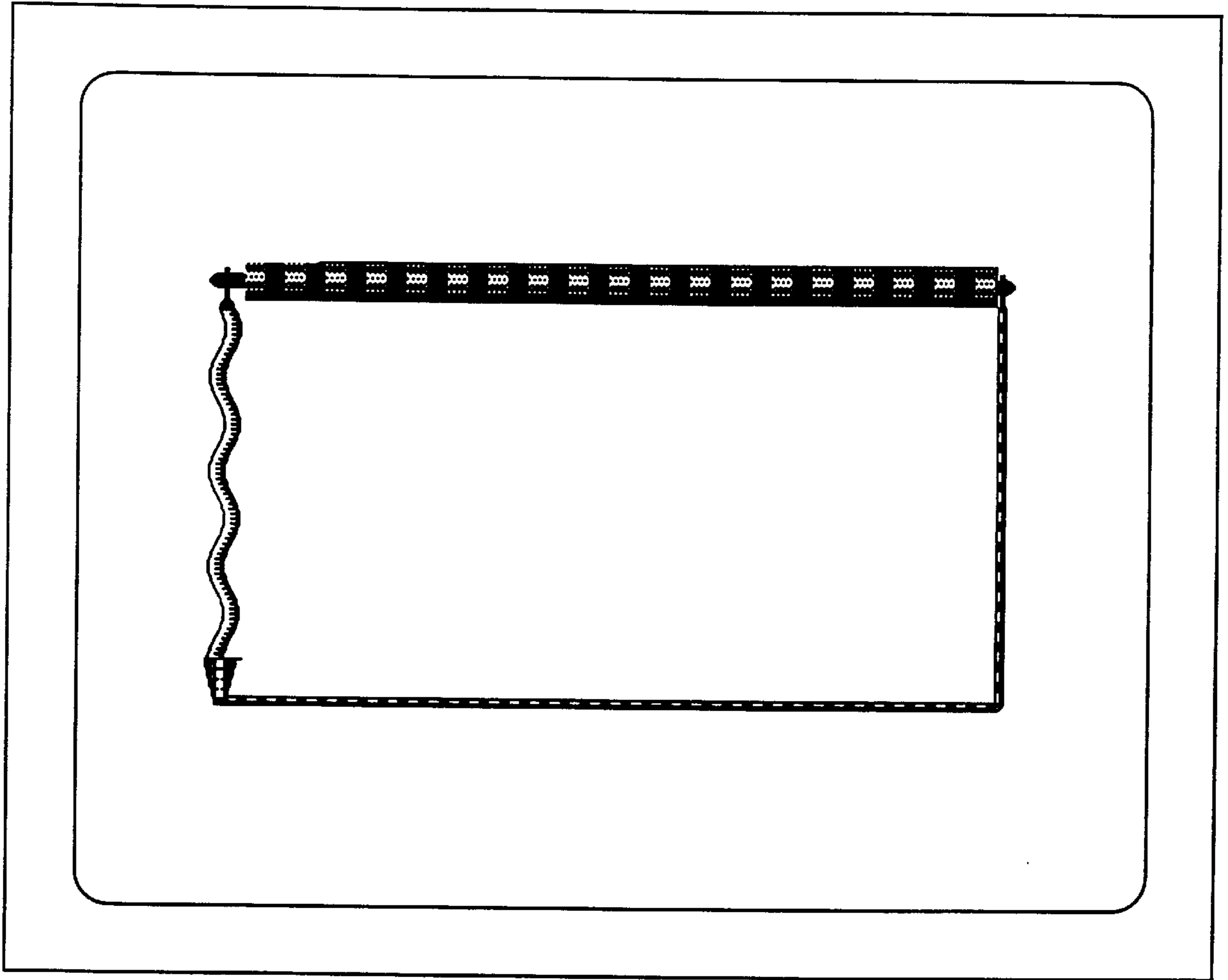


FIG. 11

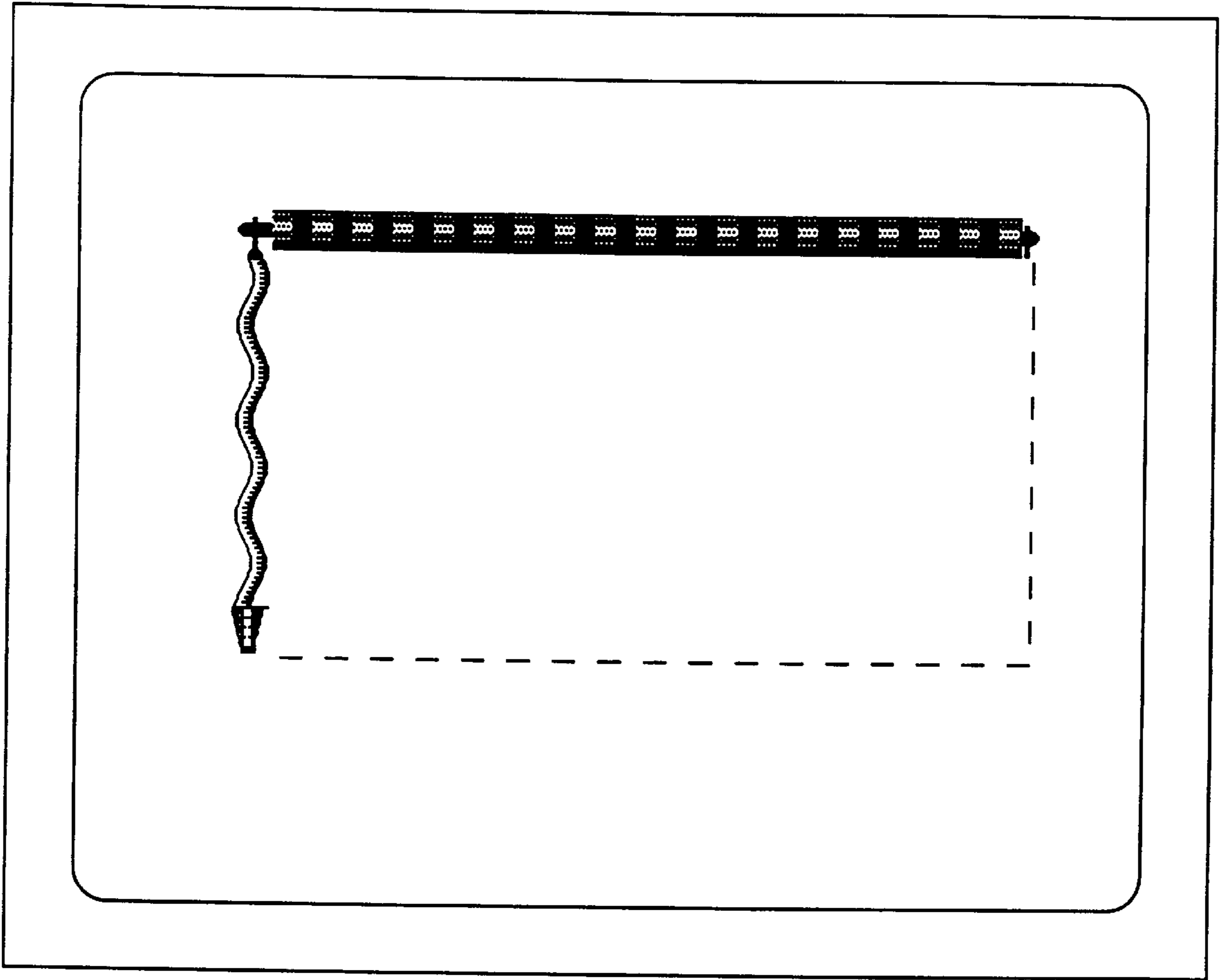


FIG. 12

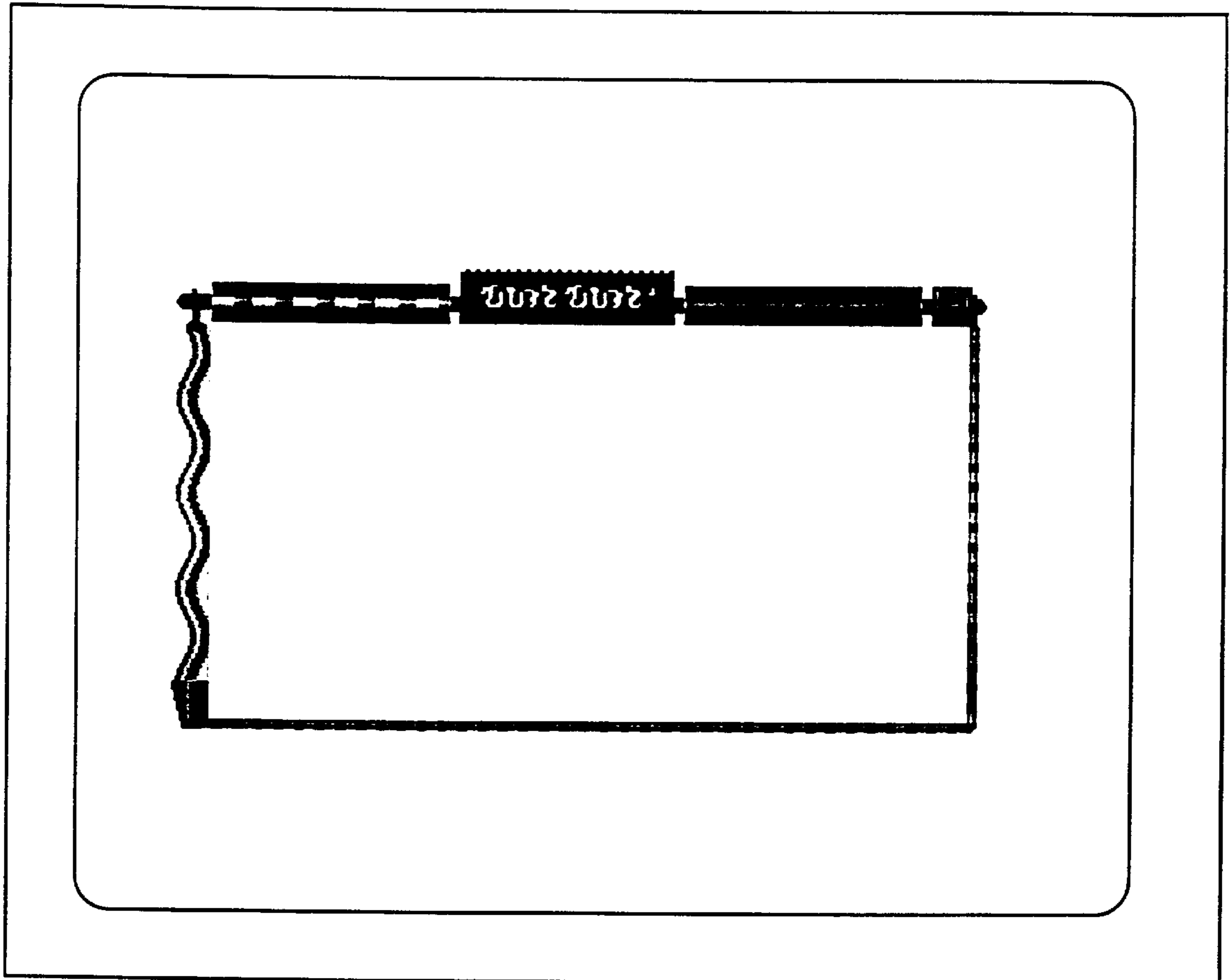


FIG. 13

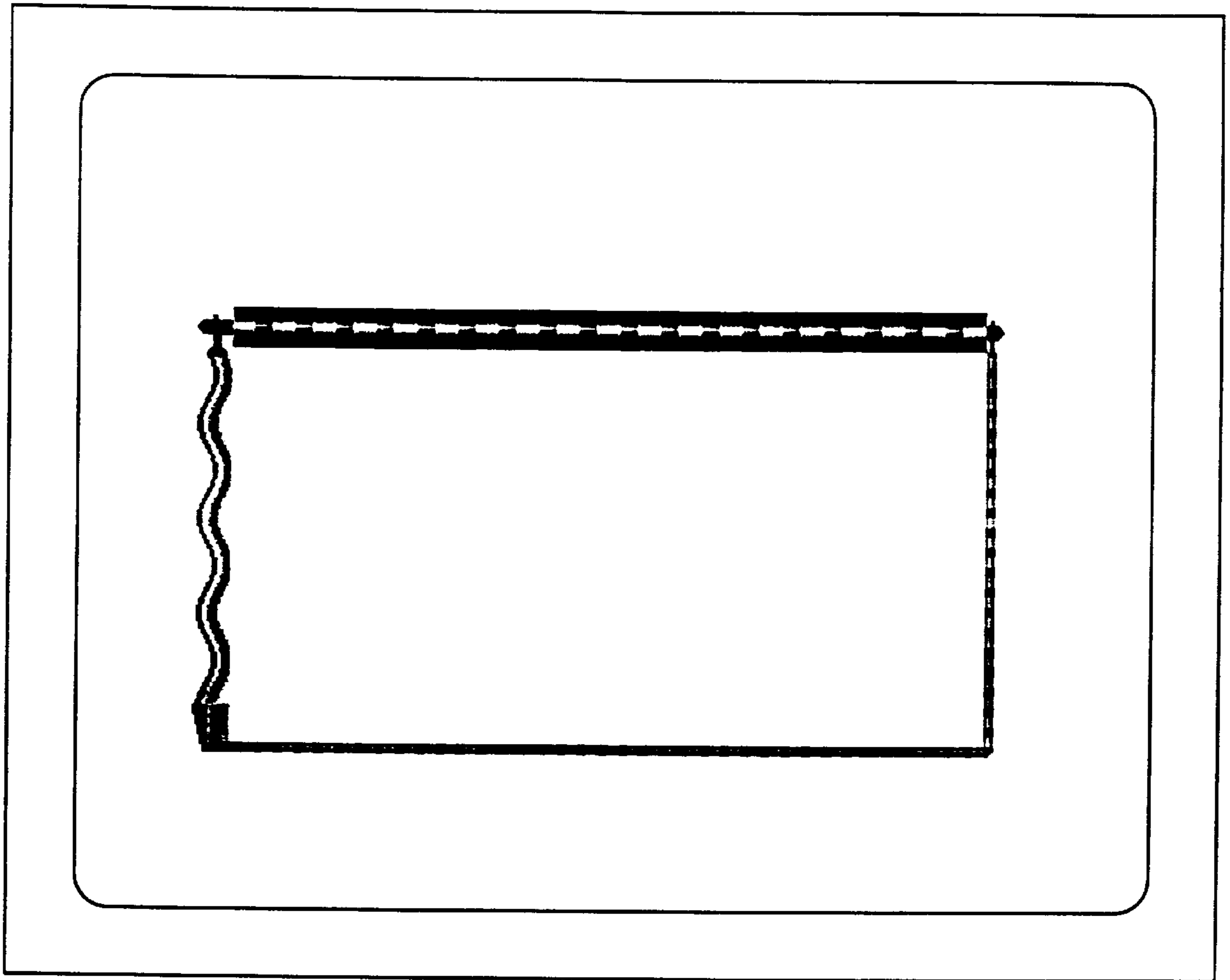


FIG. 14

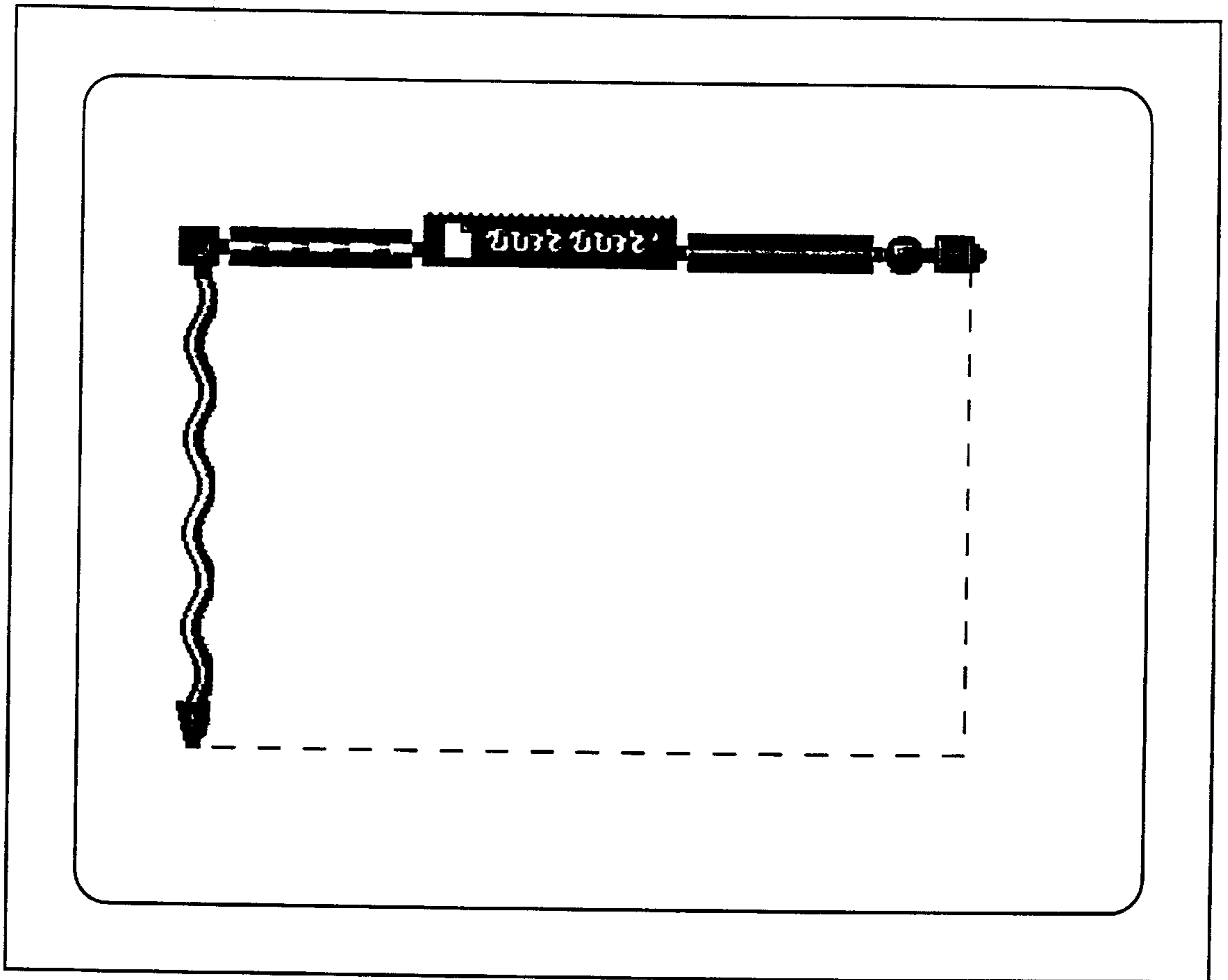


FIG. 15



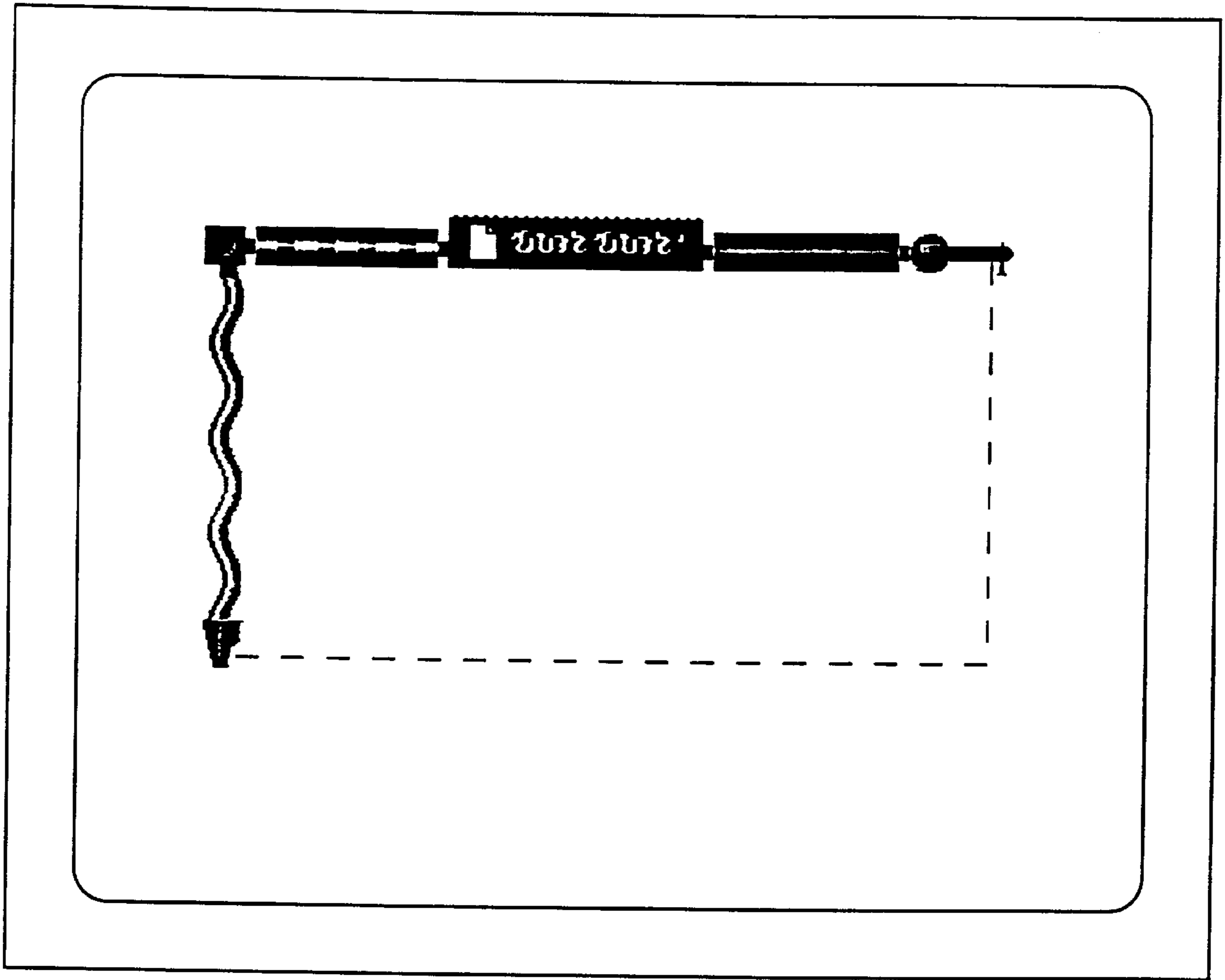


FIG. 16

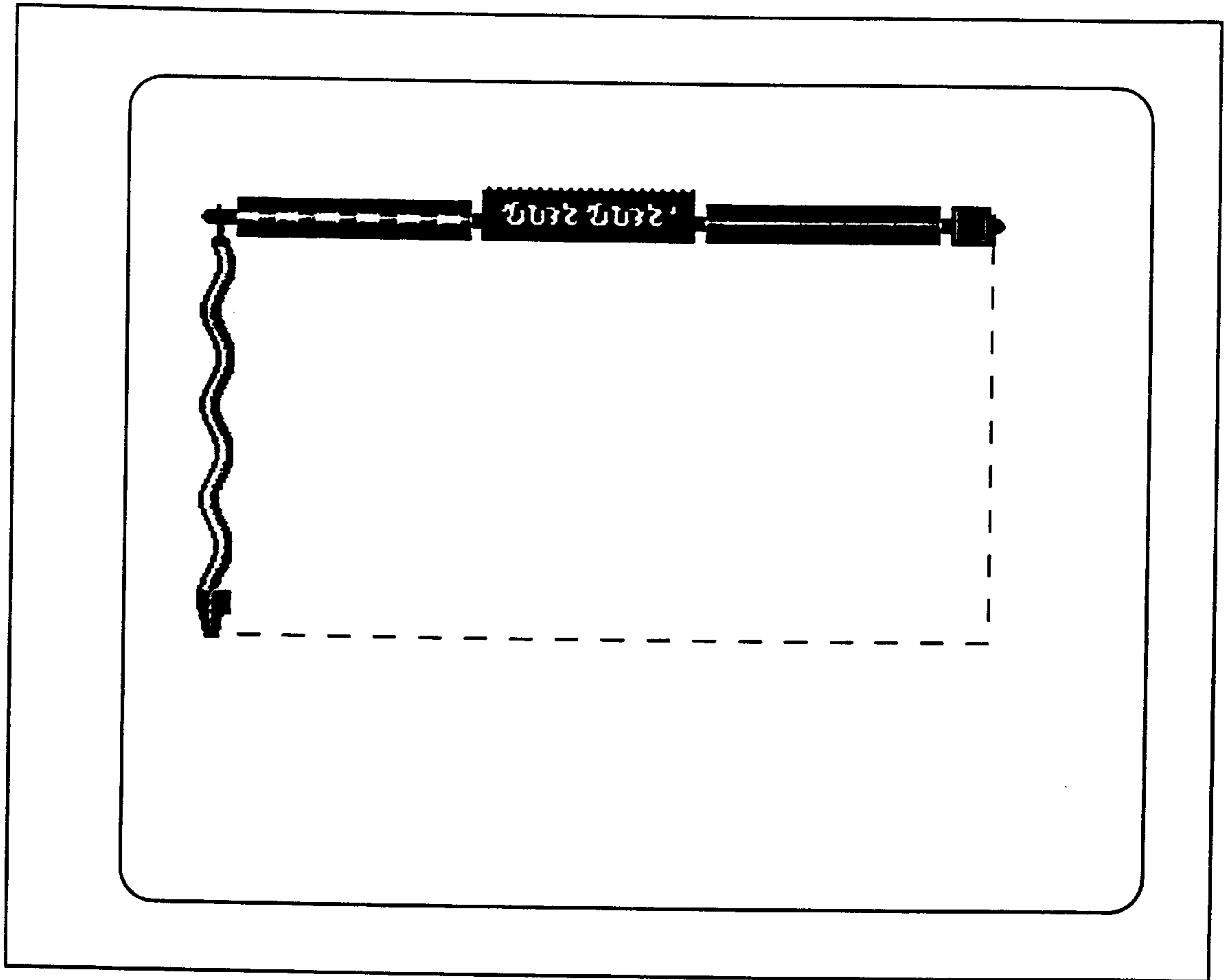


FIG. 17

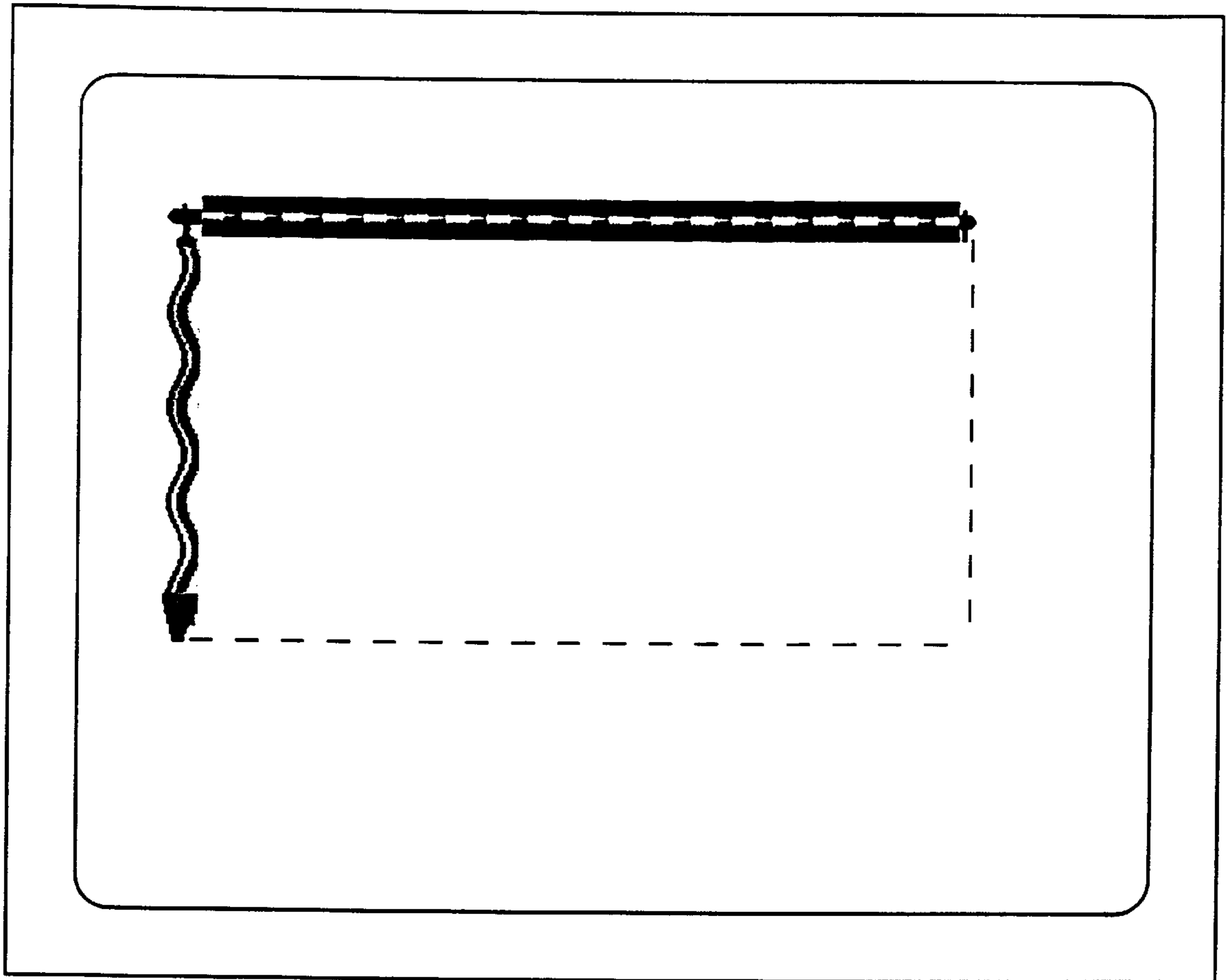


FIG. 18