



US00D425494S

United States Patent [19] Okonogi et al.

[11] **Patent Number: Des. 425,494**

[45] **Date of Patent: ** May 23, 2000**

[54] **COMPUTER**

[75] Inventors: **Satoshi Okonogi**, Gunma; **Masakatsu Takizawa**; **Tomoaki Takuma**, both of Tokyo, all of Japan

[73] Assignee: **NEC Corporation**, Tokyo, Japan

[**] Term: **14 Years**

[21] Appl. No.: **29/103,698**

[22] Filed: **Apr. 21, 1999**

[30] **Foreign Application Priority Data**

Oct. 21, 1998 [JP] Japan 10-30575

[51] **LOC (7) Cl.** **14-02**

[52] **U.S. Cl.** **D14/100**

[58] **Field of Search** D14/100, 102, D14/107-109; D6/432, 436, 445, 448; D13/162, 184, 199; 312/223.3; 360/99.12; 369/34, 36; 361/690-696

[56] **References Cited**

U.S. PATENT DOCUMENTS

D. 370,208 5/1996 Esslinger D14/100

D. 378,515 3/1997 Senshiki D14/100
D. 380,200 6/1997 Hill et al. D14/100
D. 381,639 7/1997 Fraquelli et al. D14/100

Primary Examiner—Freda Nunn
Attorney, Agent, or Firm—Sughrue, Mion, Zinn, Macpeak & Seas, PLLC

[57] **CLAIM**

The ornamental design for a computer, as shown.

DESCRIPTION

FIG. 1 is a perspective view of the top, front and right side of a computer showing our new design;
FIG. 2 is a top plan view thereof;
FIG. 3 is a bottom plan view thereof;
FIG. 4 is a front elevational view thereof;
FIG. 5 is a rear elevational view thereof;
FIG. 6 is a right side elevational view thereof; and,
FIG. 7 is a left side elevational view thereof.

1 Claim, 4 Drawing Sheets

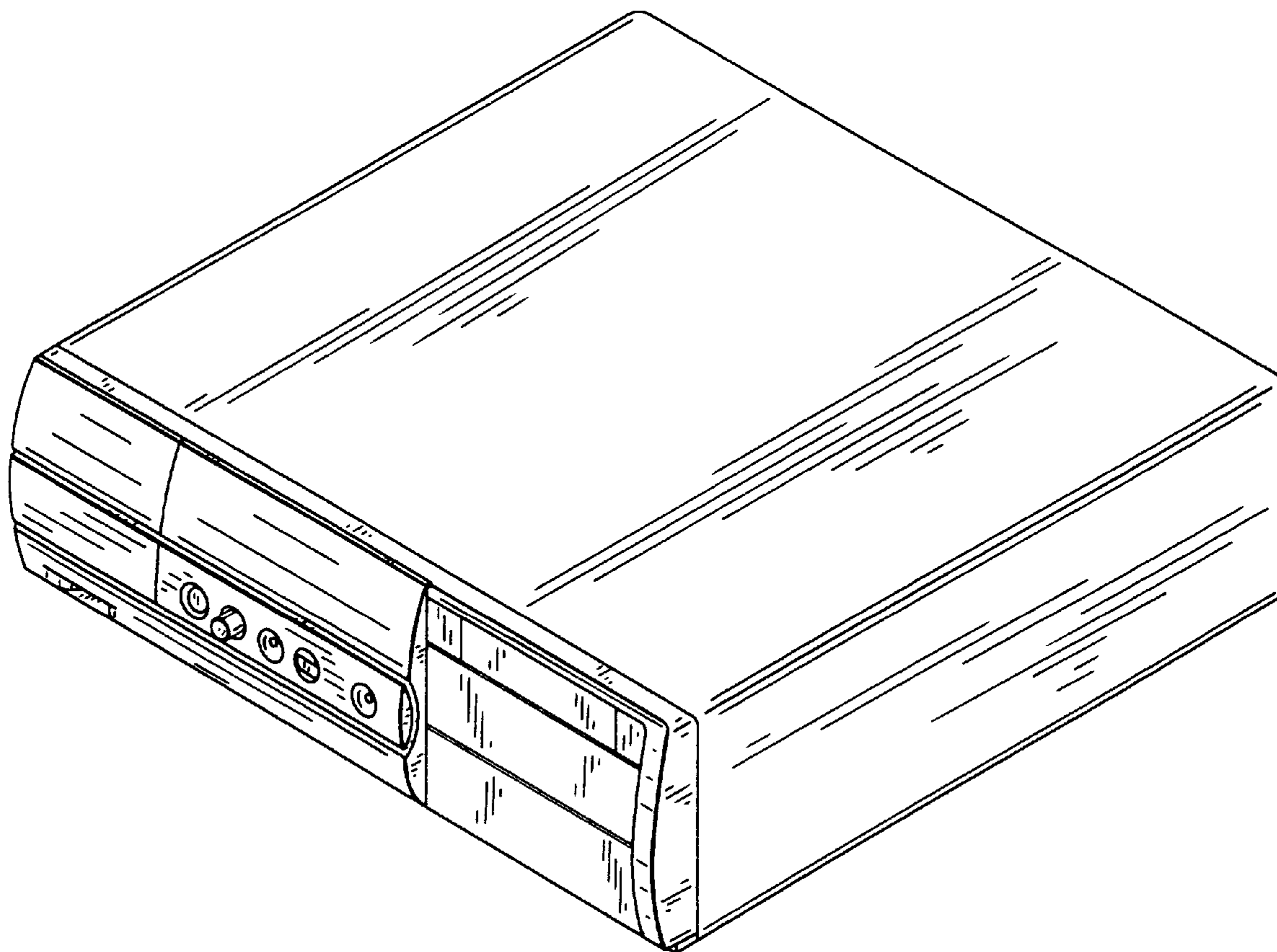


FIG. 1

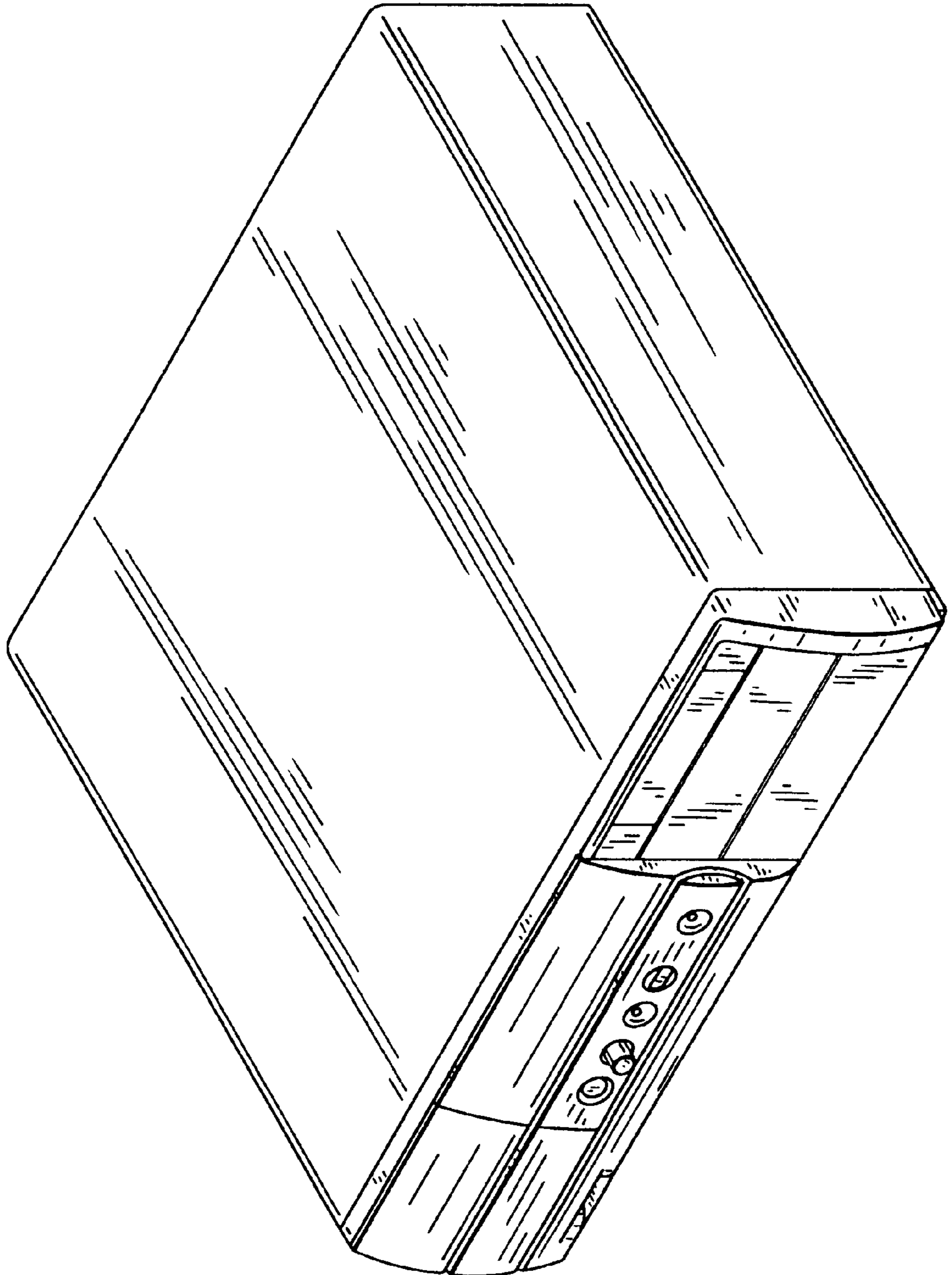


FIG. 3

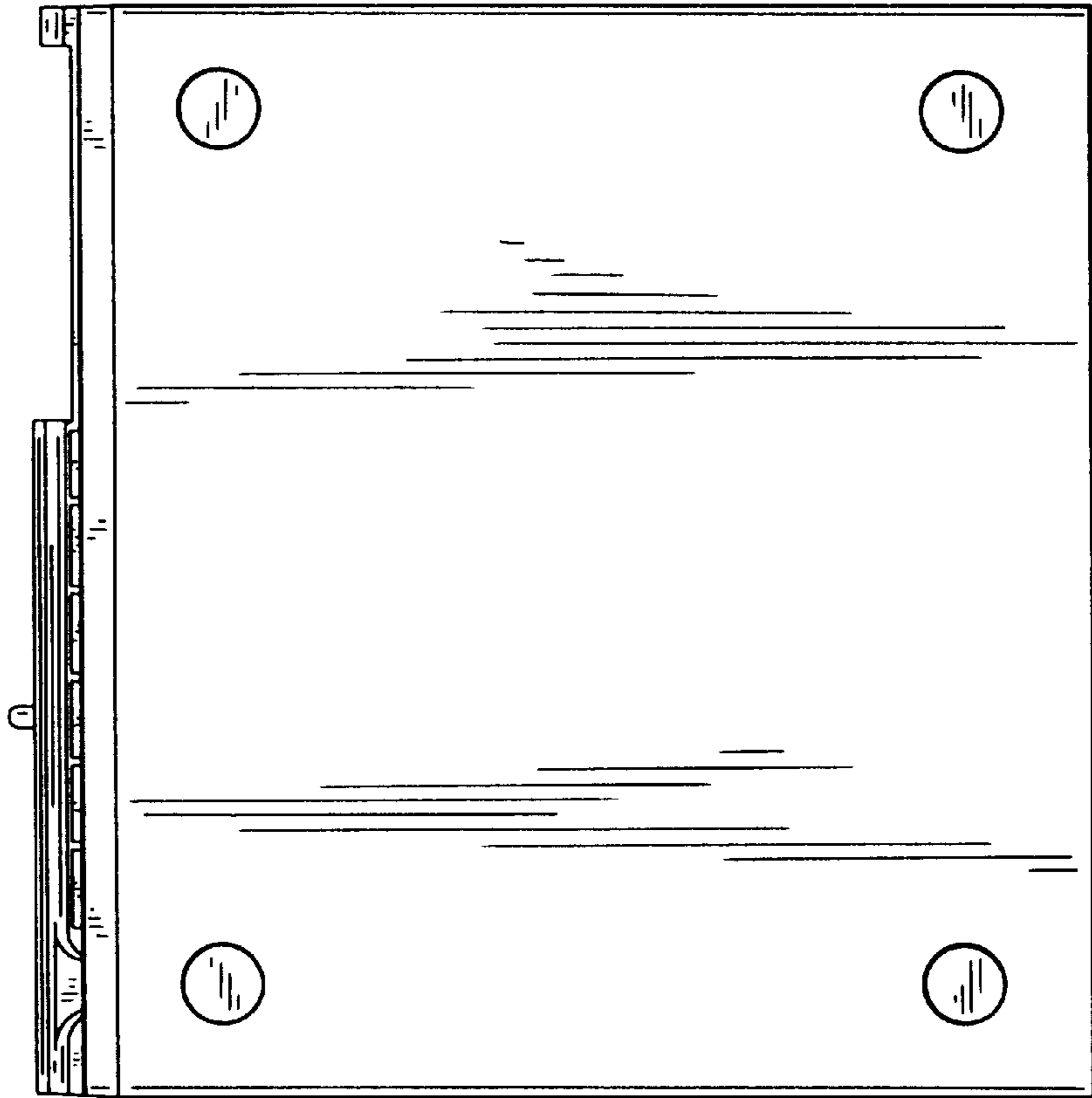


FIG. 2

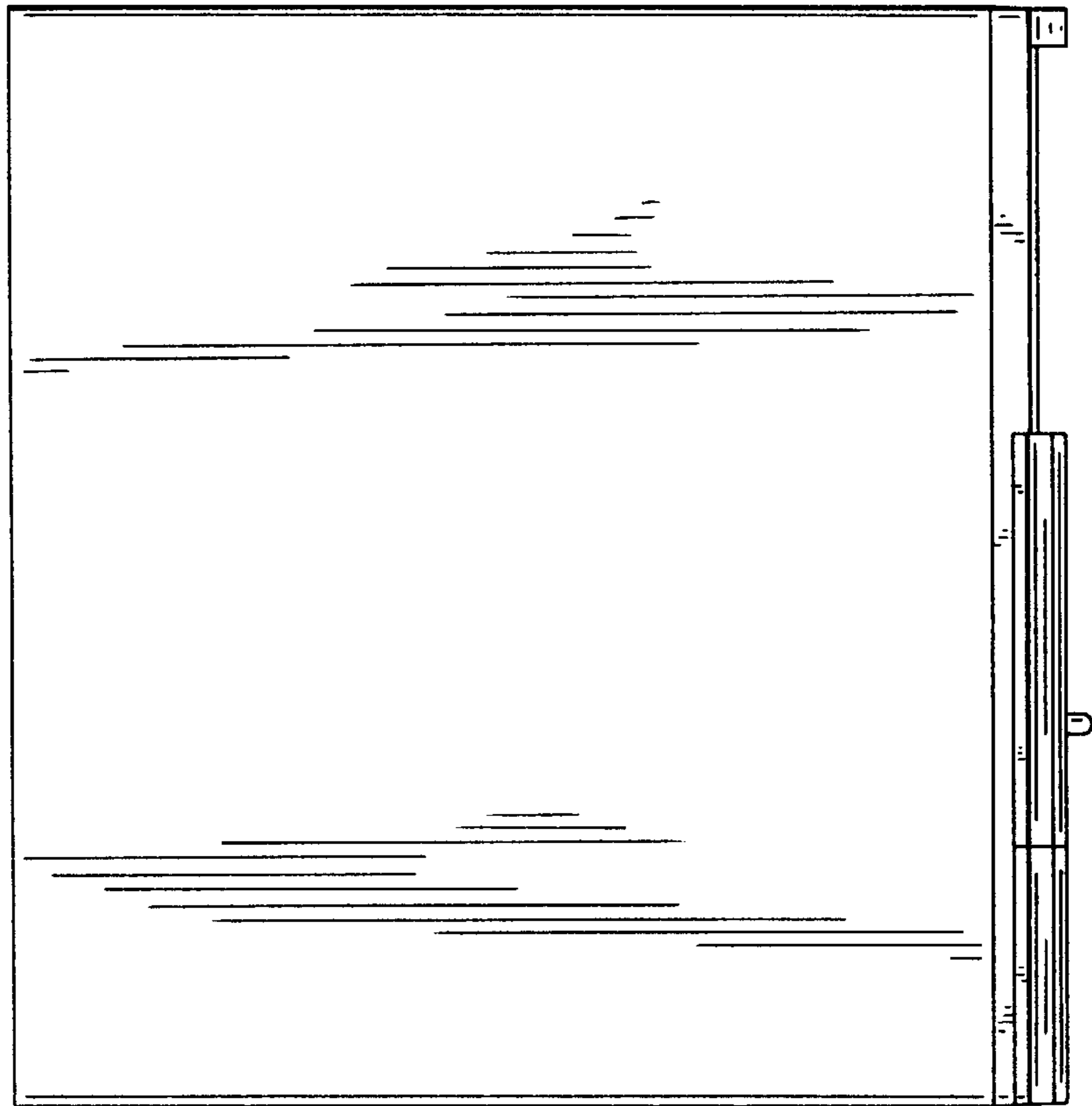


FIG. 4

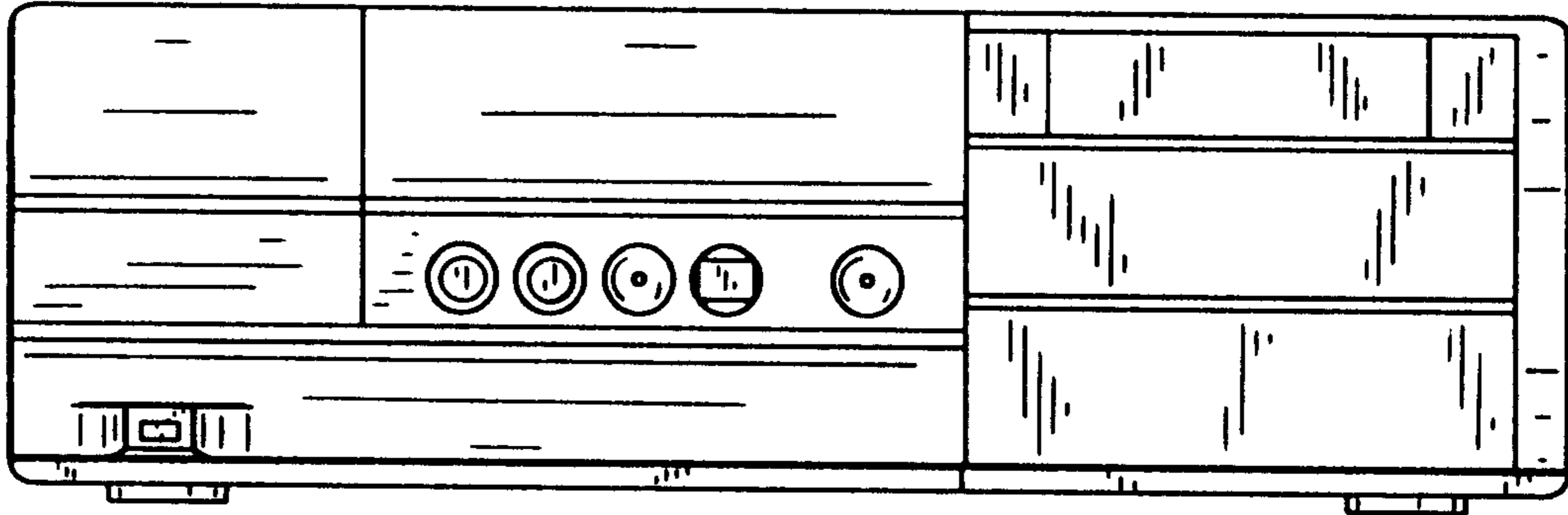


FIG. 5

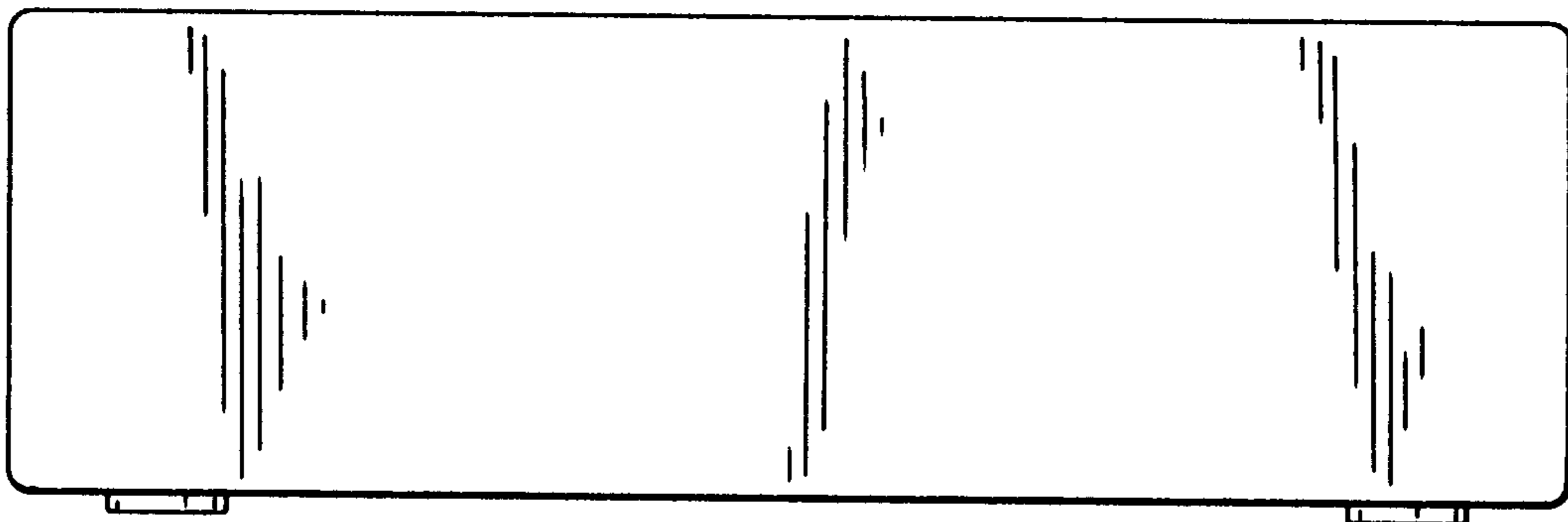


FIG. 6

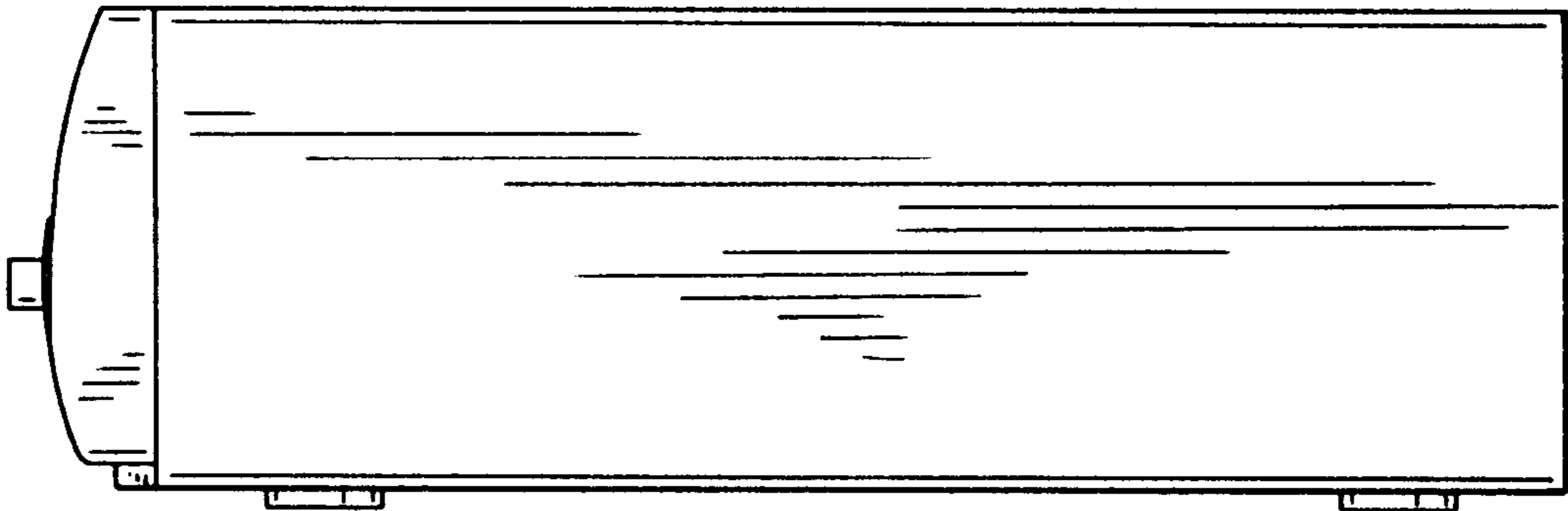


FIG. 7

