



US00D425492S

# United States Patent [19]

Johnston et al.

[11] Patent Number: **Des. 425,492**

[45] Date of Patent: **\*\* May 23, 2000**

[54] **CABLE CABINET ASSEMBLY**

[75] Inventors: **Dare P. Johnston**, Hickory, N.C.;  
**Michael Mattei**, Smithtown, N.Y.;  
**Robert P. Auteri**, Hickory, N.C.;  
**Erwin F. Hani**, Charlotte, N.C.;  
**Michael T. Herda**, Charlotte, N.C.;  
**Steven J. Muske**, Batavia, Ohio; **David W. Suttie**, Onalaska, Wis.

[73] Assignee: **Ditel, Inc.**, Hickory, N.C.

[\*\*] Term: **14 Years**

[21] Appl. No.: **29/100,864**

[22] Filed: **Feb. 19, 1999**

[51] **LOC (7) Cl.** ..... **13-99**

[52] **U.S. Cl.** ..... **D13/184**

[58] **Field of Search** ..... D13/184, 133,  
D13/152; 361/600, 601, 724, 725, 728

[56] **References Cited**

**U.S. PATENT DOCUMENTS**

- D. 269,265 6/1983 Bean et al. .... D13/184
- D. 314,185 1/1991 Mazura et al. .... D13/184

- D. 350,533 9/1994 Grosskurth et al. .... D13/184
- D. 370,891 6/1996 Keith ..... D13/184
- D. 390,198 2/1998 Mayfield, III ..... D13/184
- D. 408,796 4/1999 Georgopulos ..... D13/184

*Primary Examiner*—Brian N. Vinson  
*Attorney, Agent, or Firm*—Adams Law Firm, P.A.

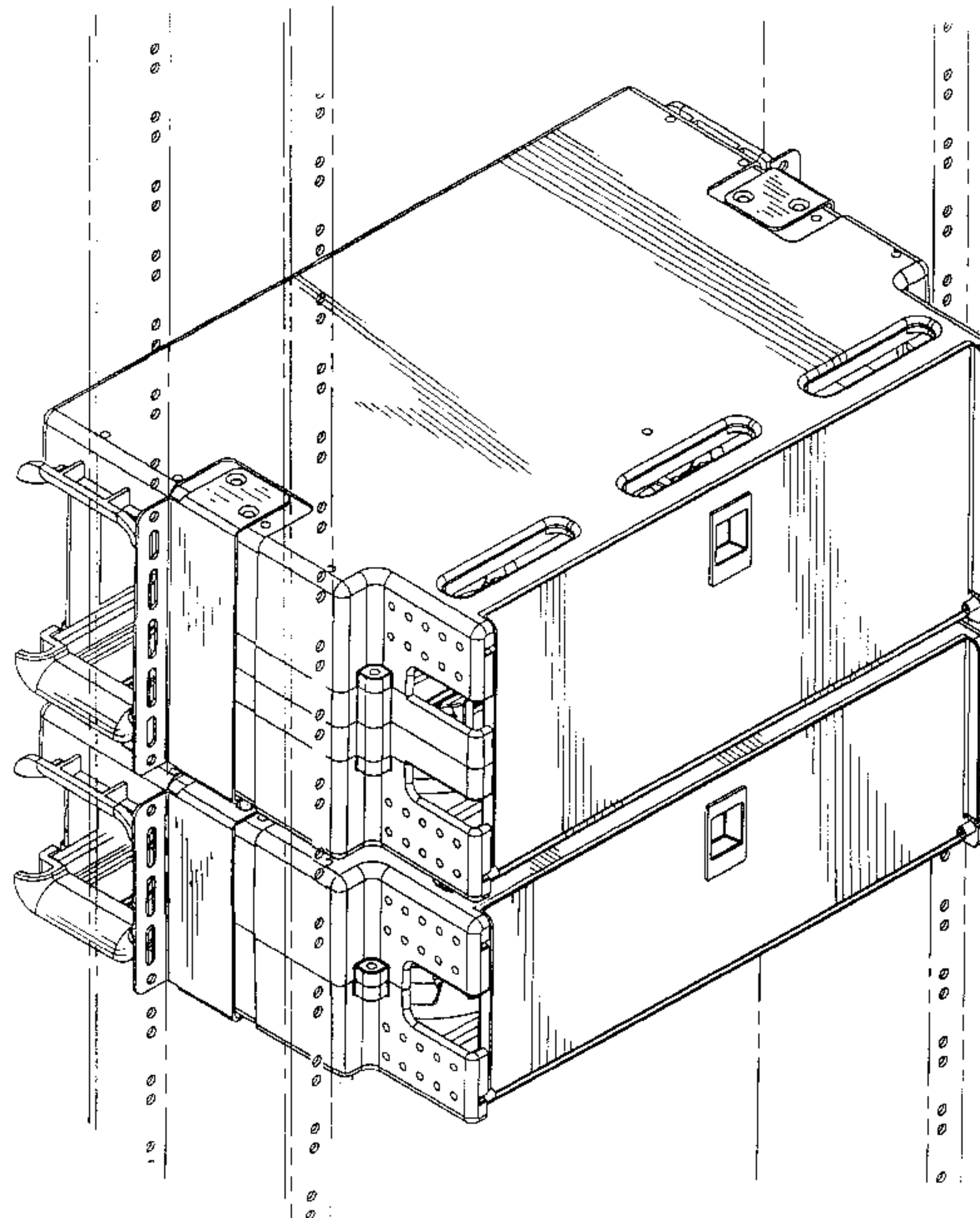
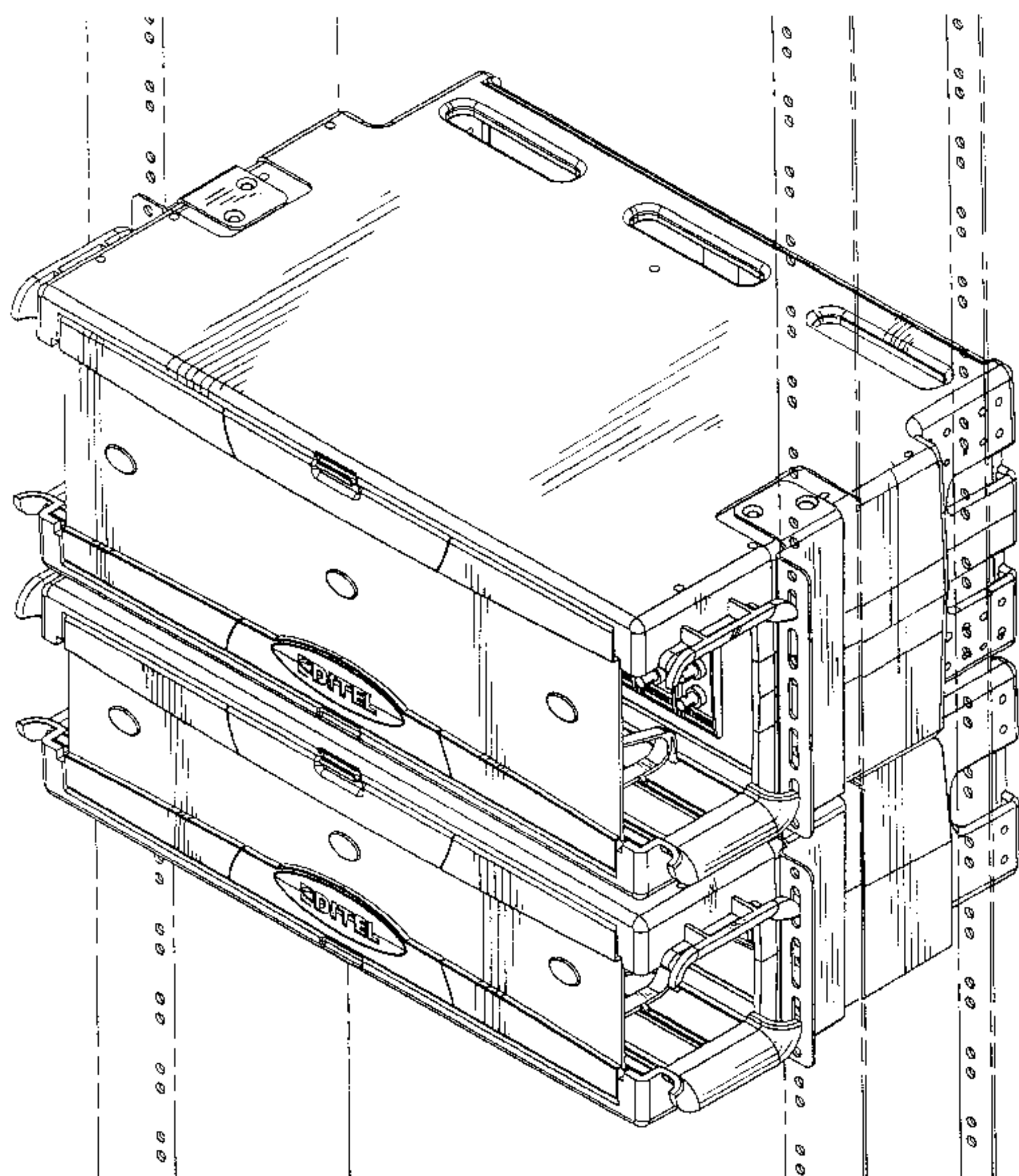
[57] **CLAIM**

We claim the ornamental design for an cable cabinet assembly, as shown and described.

**DESCRIPTION**

FIG. 1 is a front perspective view of the cable cabinet assemble, and showing a vertical support rack in phantom—the support rack forming no part of the claimed design; FIG. 2 is a rear perspective view thereof, and showing the vertical support rack in phantom—the support rack forming no part of the claimed design; FIG. 3 is a front elevational view thereof; FIG. 4 is a rear elevational view thereof; FIG. 5 is a left side elevational view, the right side being a mirror image thereof; and, FIG. 6 is a top plan view, the bottom plan view being a mirror image thereof.

**1 Claim, 6 Drawing Sheets**



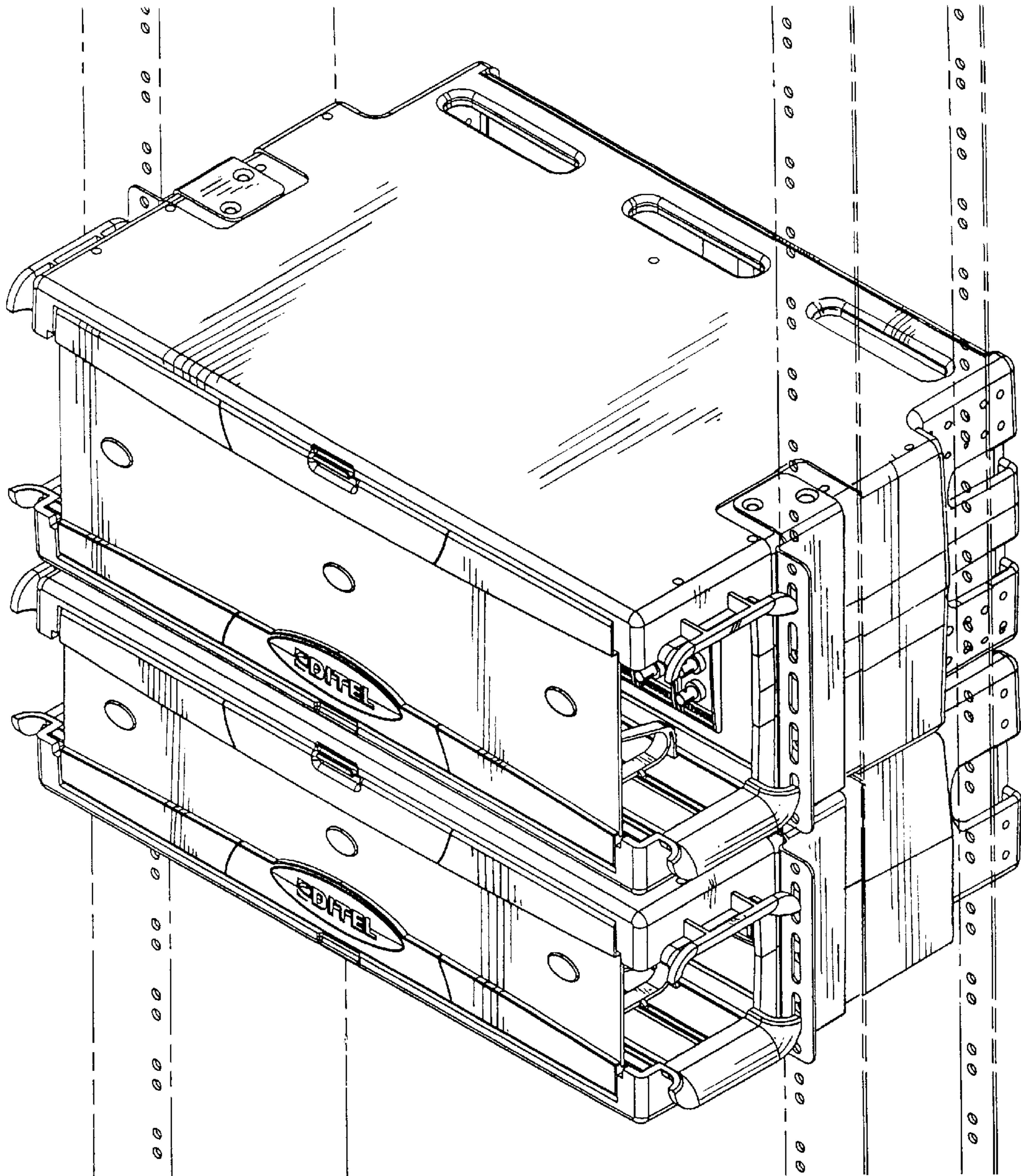


Fig. 1



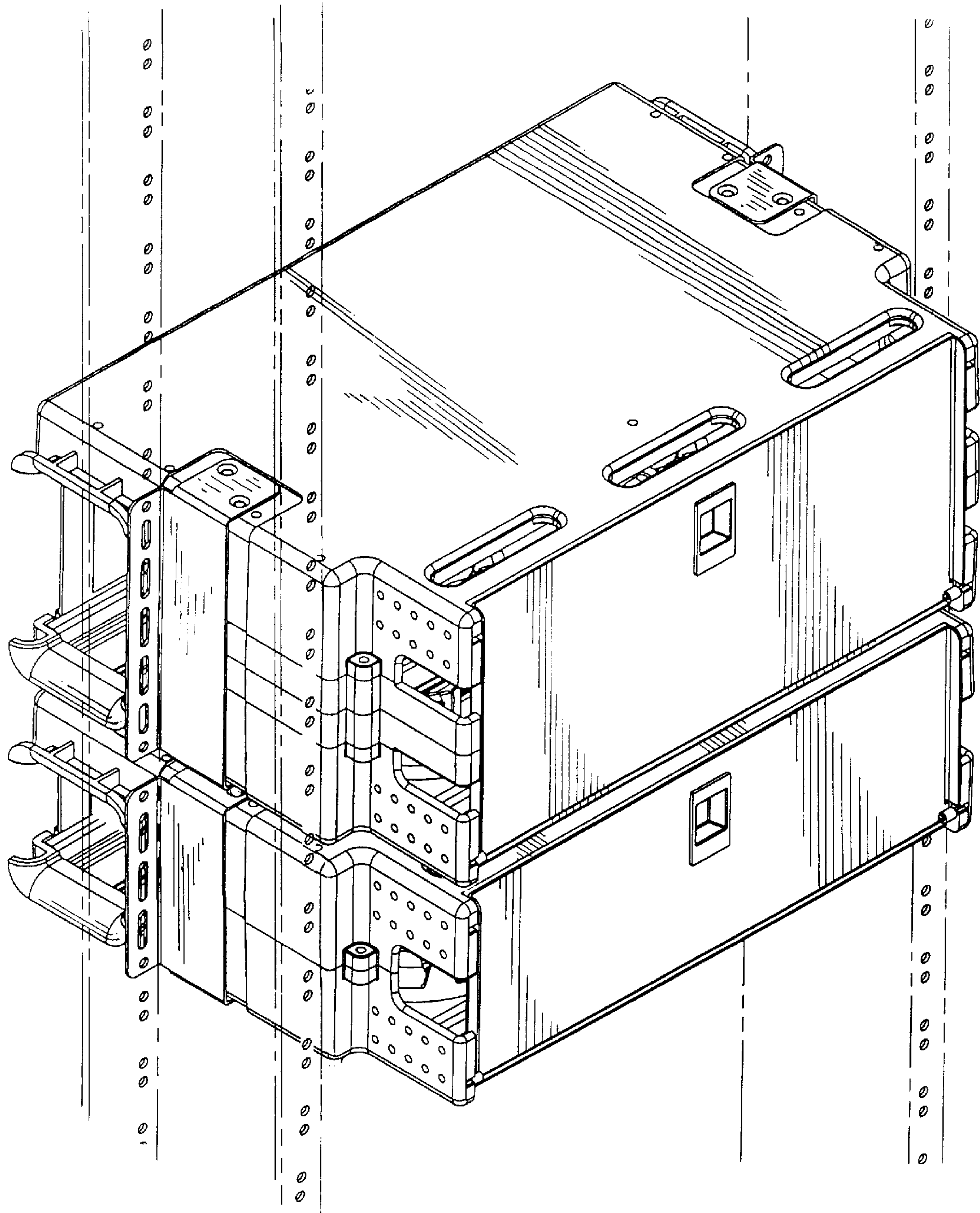


Fig. 2

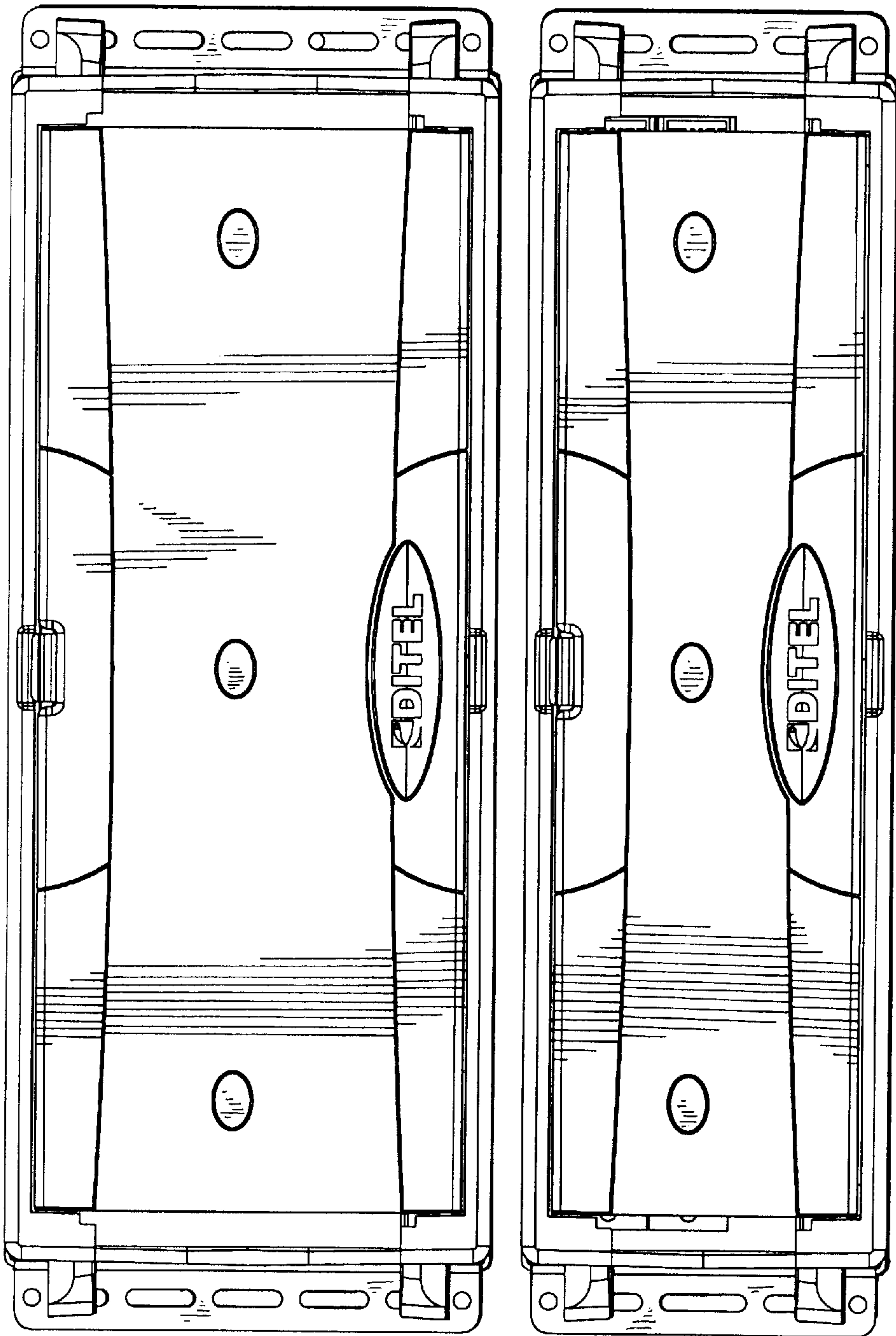


Fig. 3

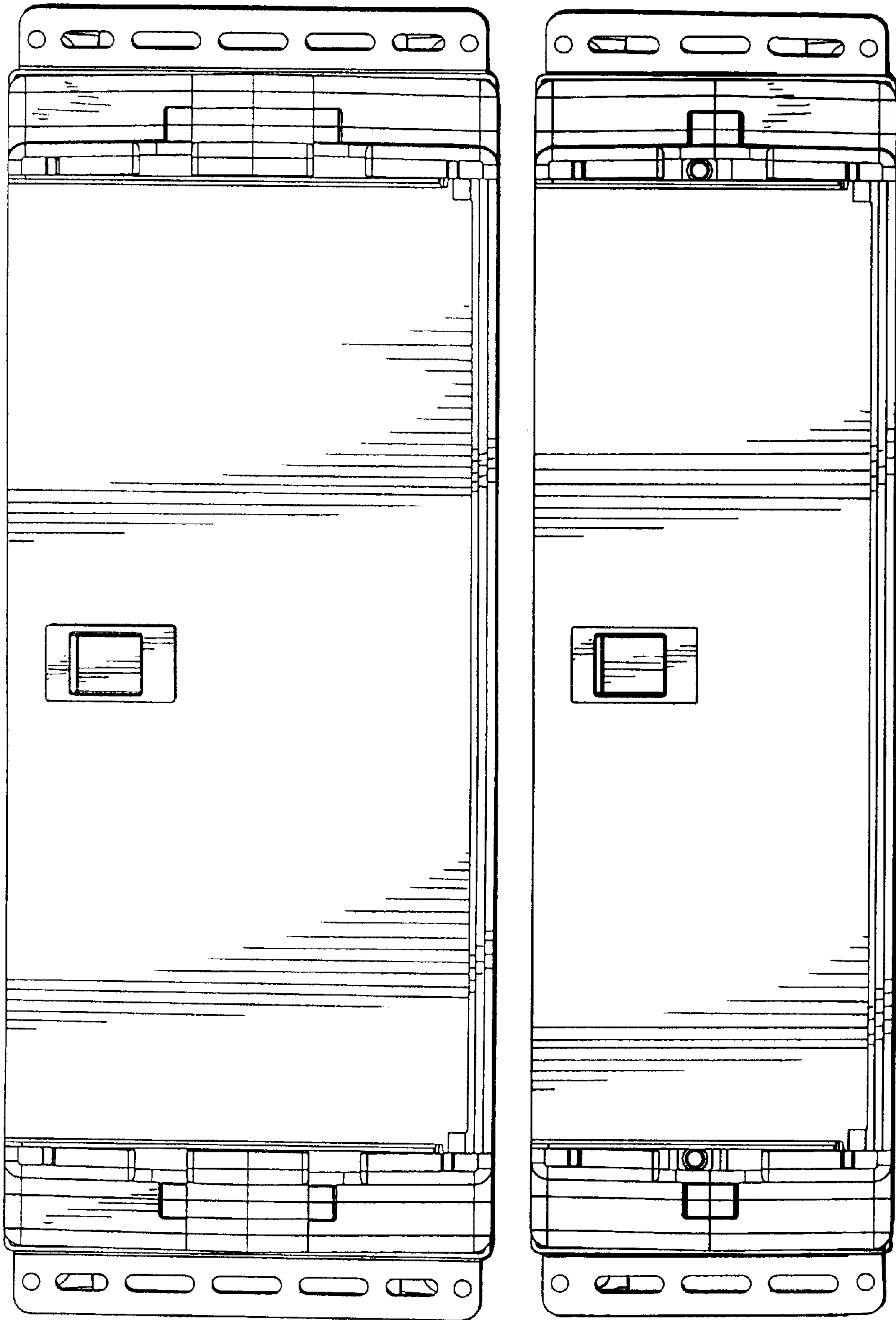


Fig. 4

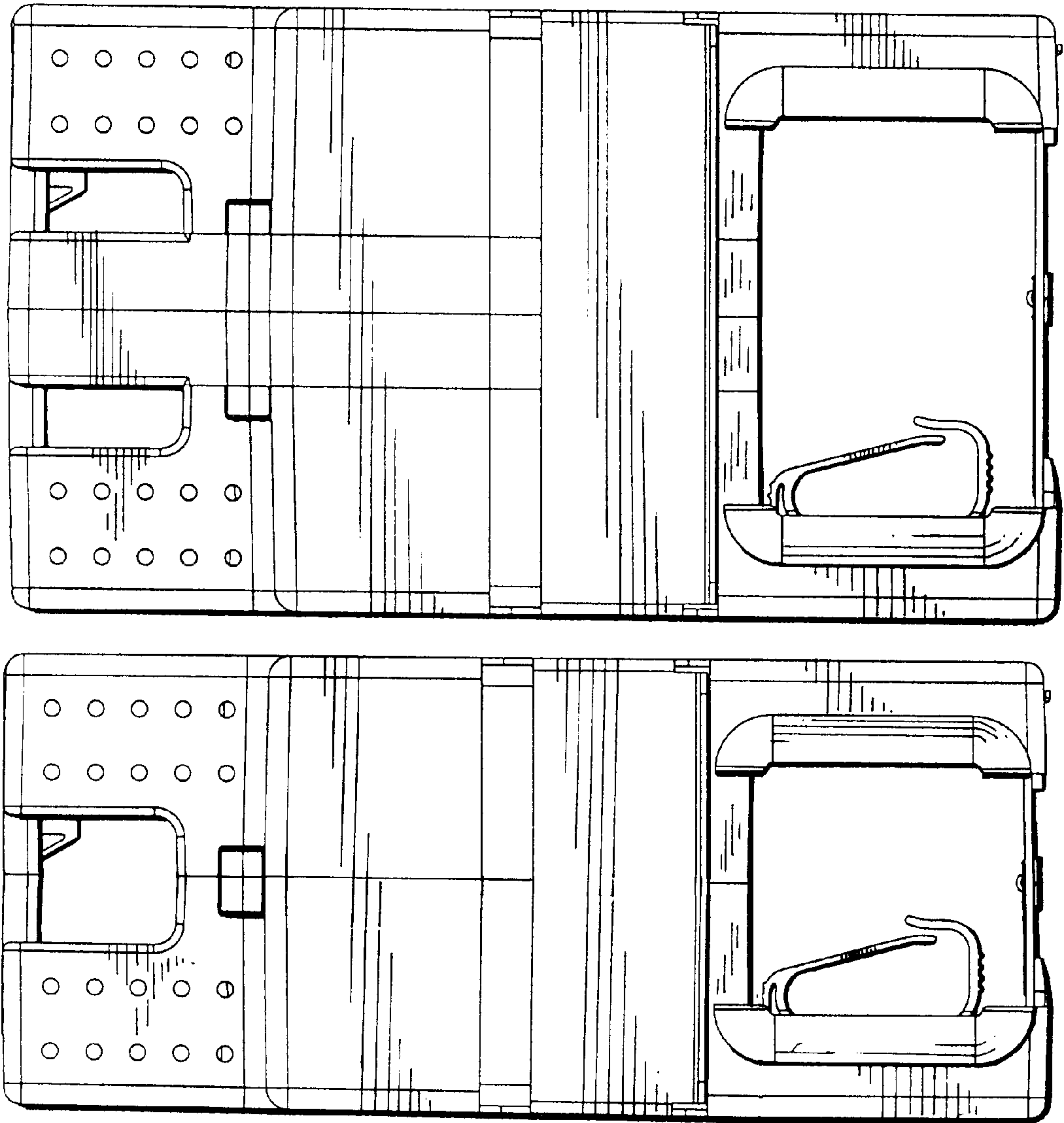


Fig. 5

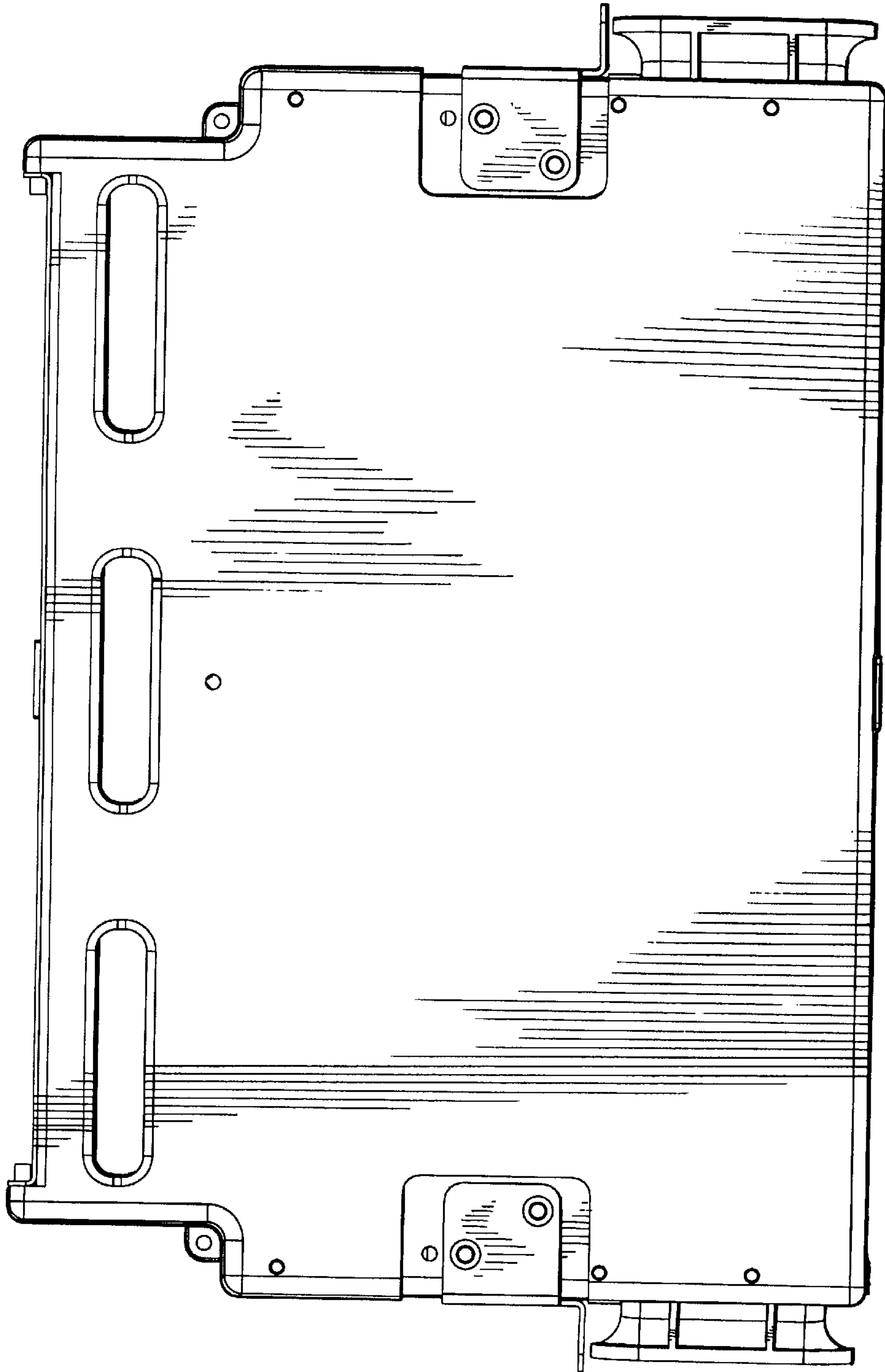


Fig. 6