



US00D425487S

United States Patent [19]

Lee

[11] Patent Number: **Des. 425,487**

[45] Date of Patent: **** May 23, 2000**

[54] **CONNECTOR HOOD FOR ELECTRICAL CABLE**

[75] Inventor: **Kendrew Lee**, San Jose, Calif.

[73] Assignee: **Monster Cable Products, Inc.**,
Brisbane, Calif.

[**] Term: **14 Years**

[21] Appl. No.: **29/081,438**

[22] Filed: **Jan. 2, 1998**

[51] **LOC (7) Cl.** **13-03**

[52] **U.S. Cl.** **D13/154; D13/133**

[58] **Field of Search** **D13/133, 146,**
D13/147, 154; 439/352, 447, 449, 452,
455, 607

[56] **References Cited**

U.S. PATENT DOCUMENTS

D. 321,506	11/1991	Nagasaki et al.	D13/147
4,990,103	2/1991	Sazaki et al.	439/455
5,580,268	12/1996	Miyazawa	439/352
5,683,269	11/1997	Davis et al.	439/607

Primary Examiner—Joel Sincavage

Attorney, Agent, or Firm—LaRiviere, Grubman & Payne, LLP

[57] **CLAIM**

The ornamental design for a connector hood for electrical cable, as shown and described.

DESCRIPTION

A portion of the disclosure of this patent document contains

material to which a claim for copyright is made. The copyright owner has no objection to the facsimile reproduction by anyone of the patent document or the patent disclosure, as it appears in the Patent and Trademark Office patent file or records, but reserves all other copyright rights whatsoever.

FIG. 1 is a perspective view of the connector hood for electrical cable according to the present invention.

FIG. 2 is a top view of the connector hood for electrical cable shown in FIG. 1.

FIG. 3 is a right side view of the connector hood for electrical cable shown in FIG. 1.

FIG. 4 is a bottom view of the connector hood for electrical cable shown in FIG. 1.

FIG. 5 is a left side view of the connector hood for electrical cable shown in FIG. 1.

FIG. 6 is a front view of the connector hood for electrical cable shown in FIG. 1.

FIG. 7 is a rear view of the connector hood for electrical cable shown in FIG. 1.

FIG. 8 is a perspective view of a second embodiment of the connector hood for electrical cable according to the present invention.

FIG. 9 is a top view of the embodiment of FIG. 8.

FIG. 10 is a right side view of the embodiment of FIG. 8.

FIG. 11 is a bottom view of the embodiment of FIG. 8.

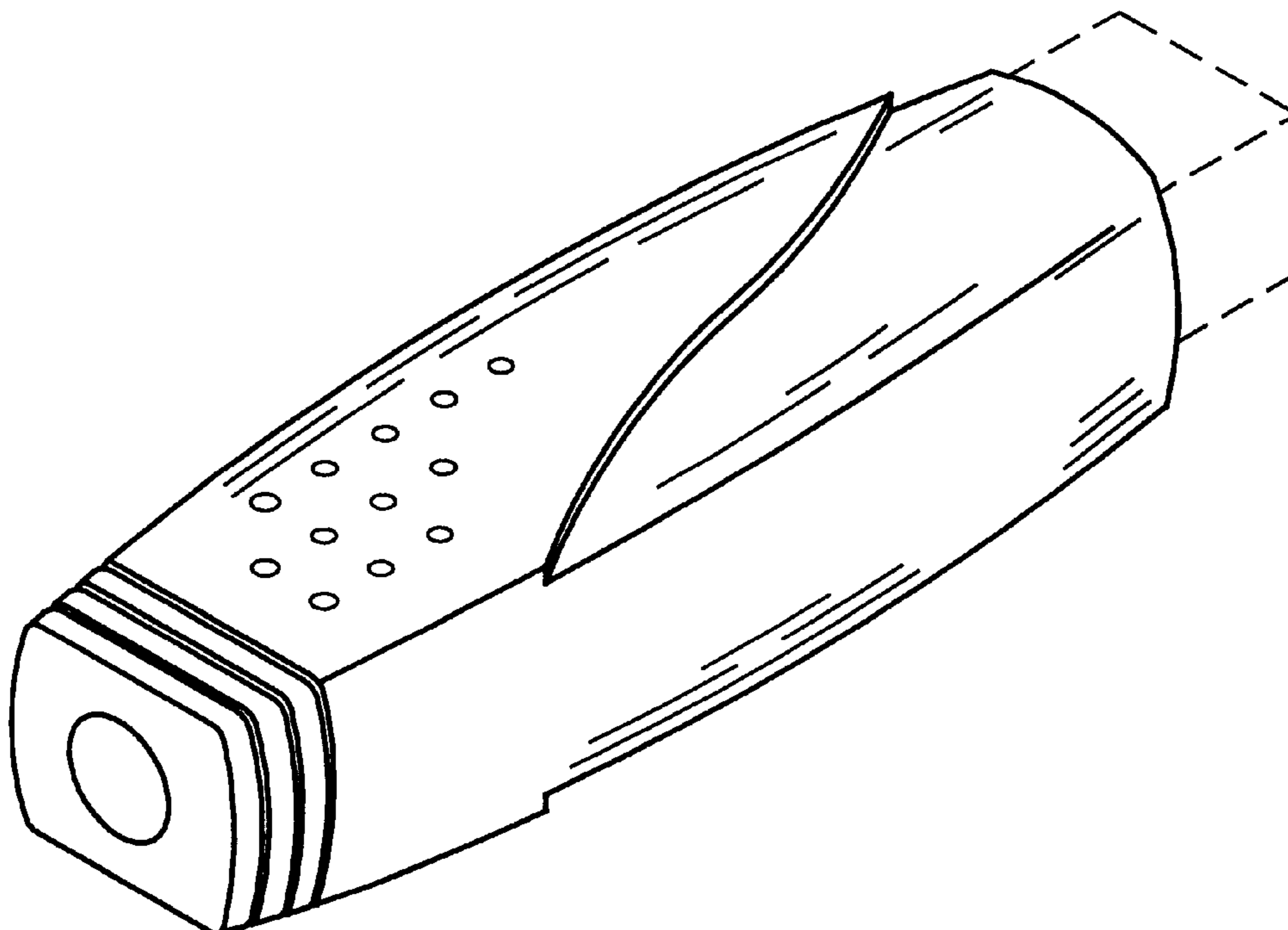
FIG. 12 is a left side view of the embodiment of FIG. 8.

FIG. 13 is a front view of the embodiment of FIG. 8; and,

FIG. 14 is a rear view of the embodiment of FIG. 8.

The broken line showing throughout the drawing figures is included for the purpose of illustrating environmental structure only and forms no part of the claimed design.

1 Claim, 4 Drawing Sheets



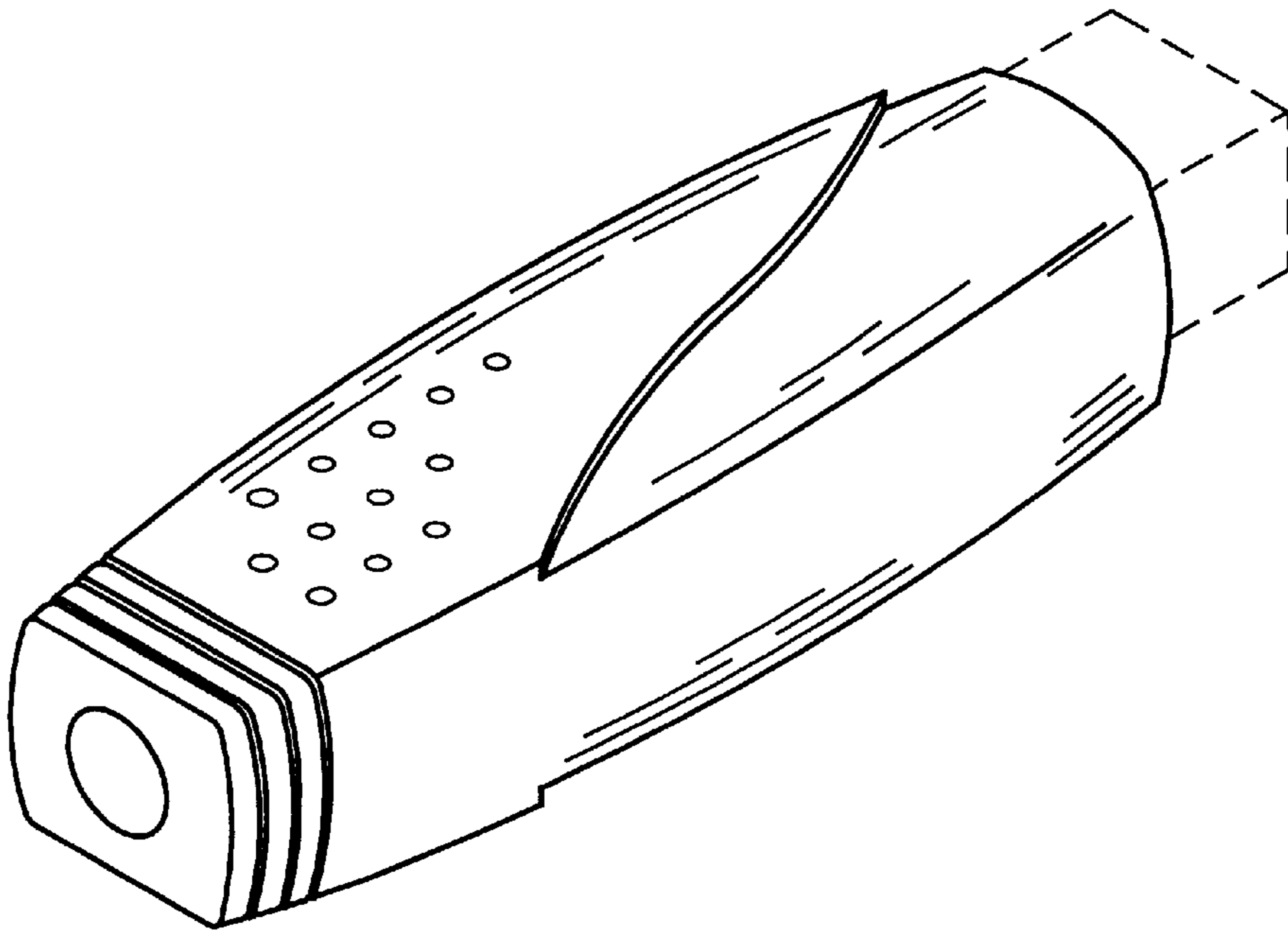


FIG. 1

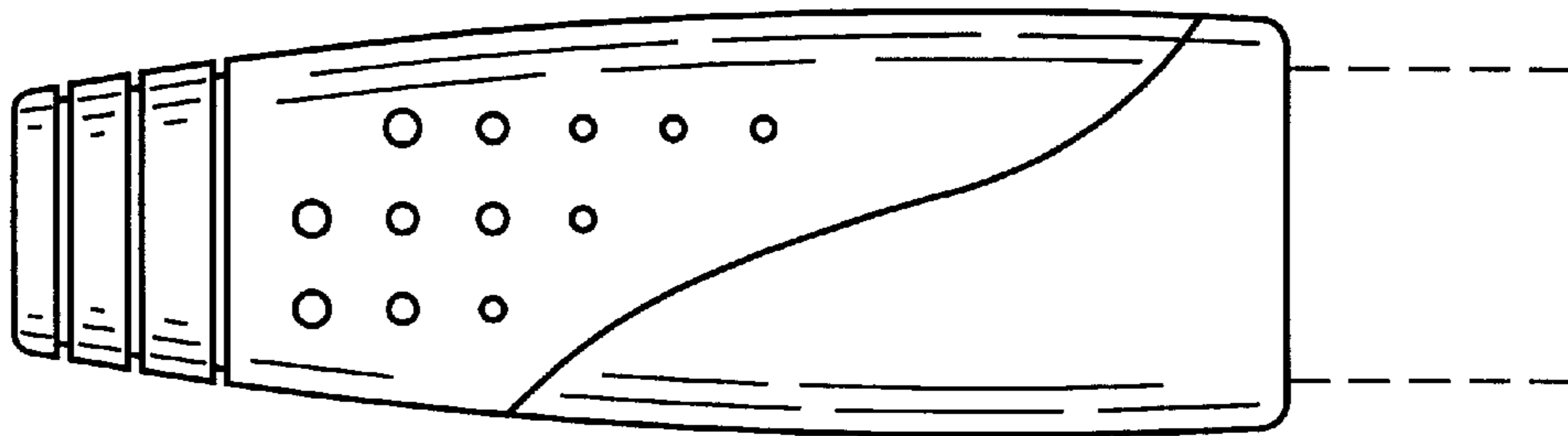


FIG. 2

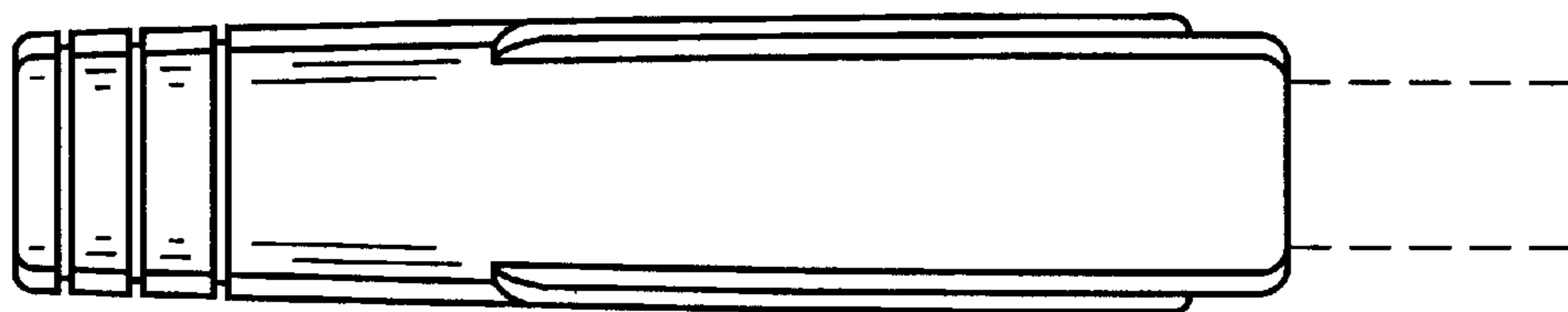


FIG. 3

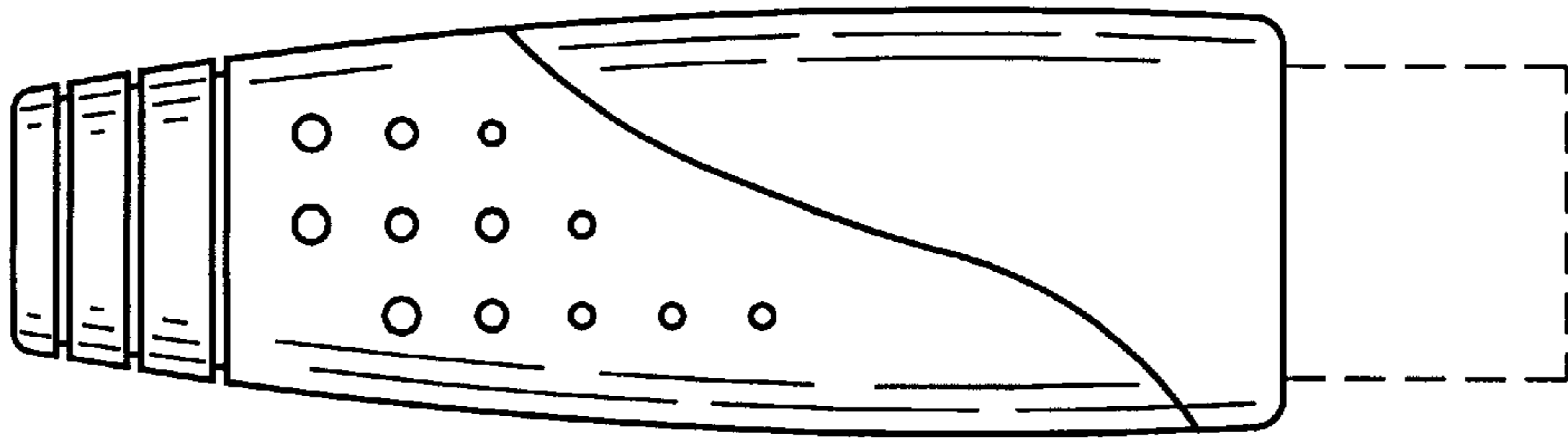


FIG. 4

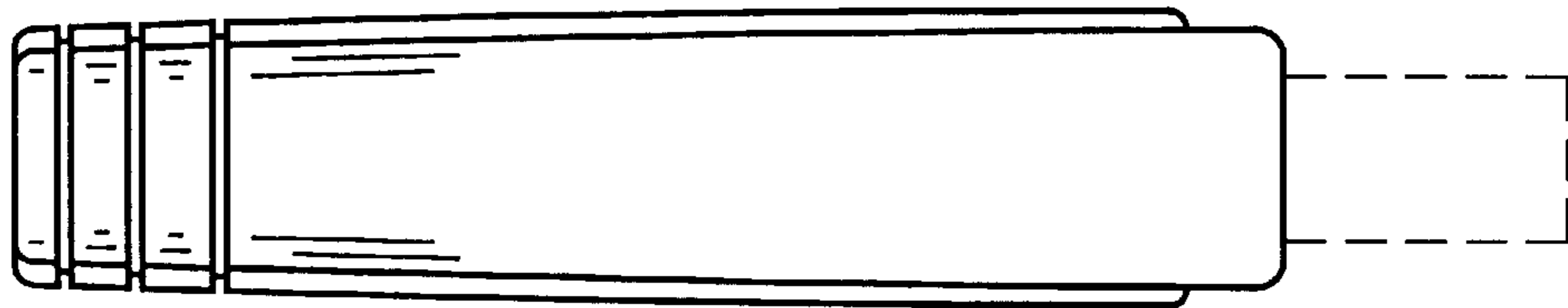


FIG. 5

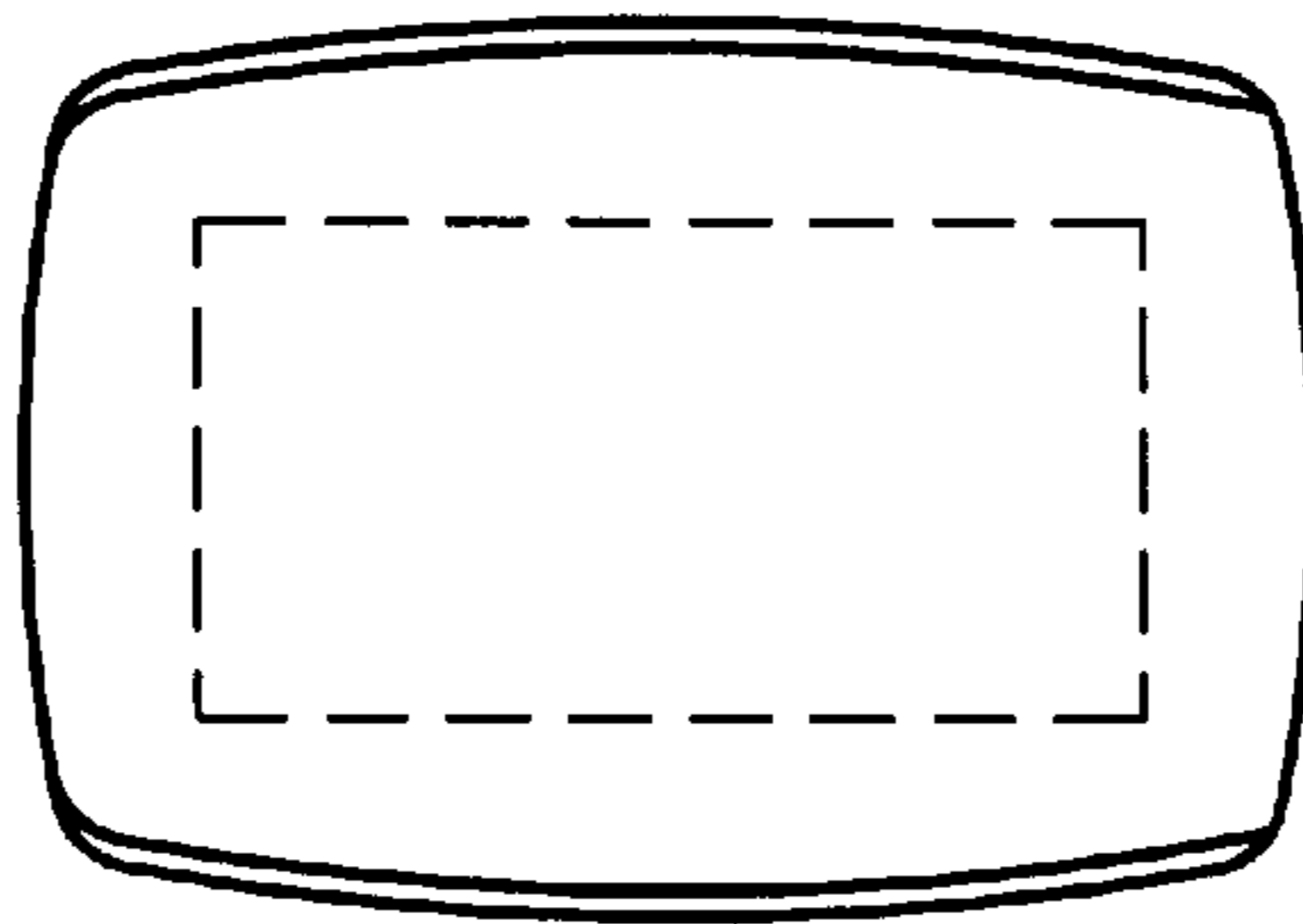


FIG. 6

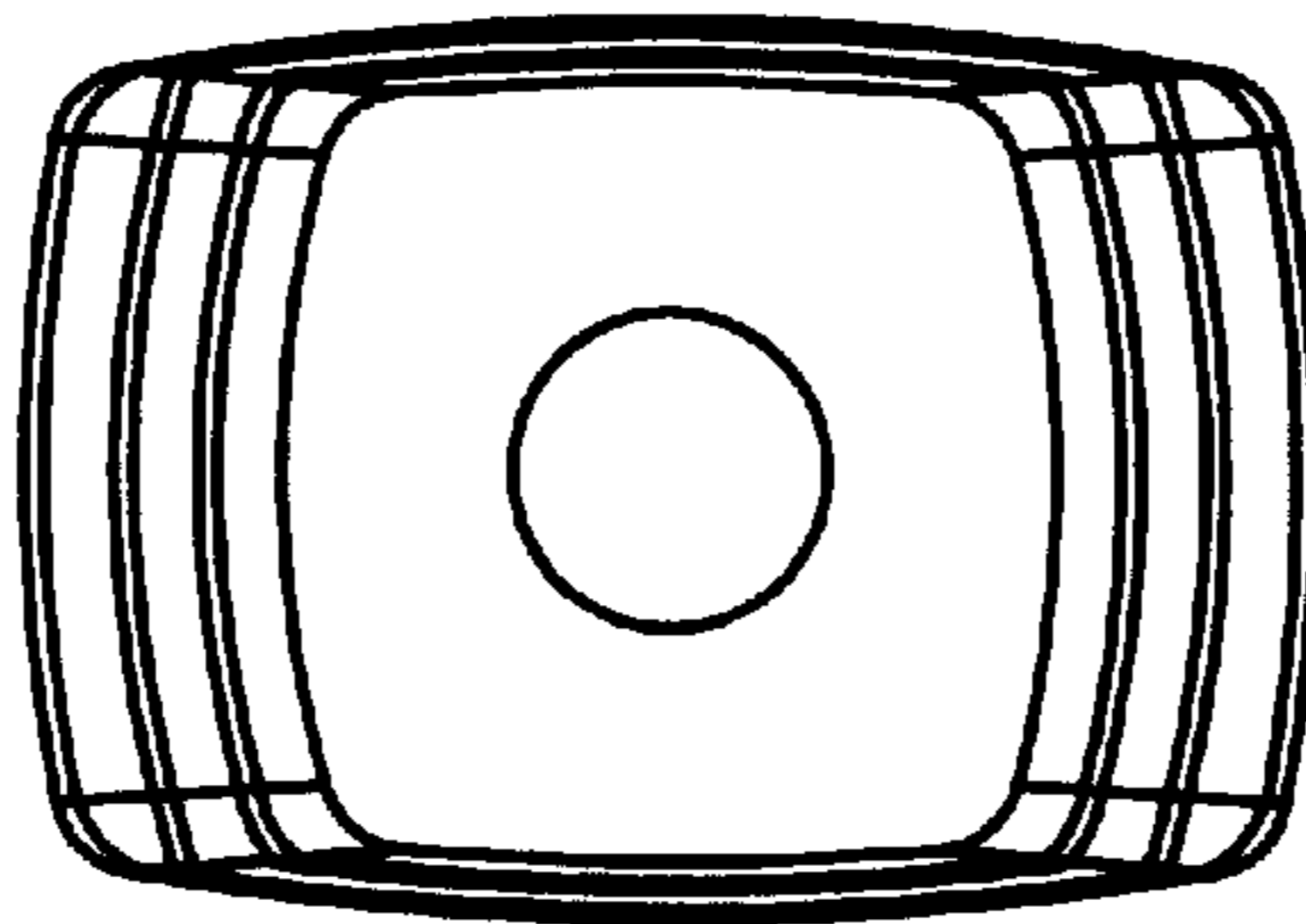


FIG. 7

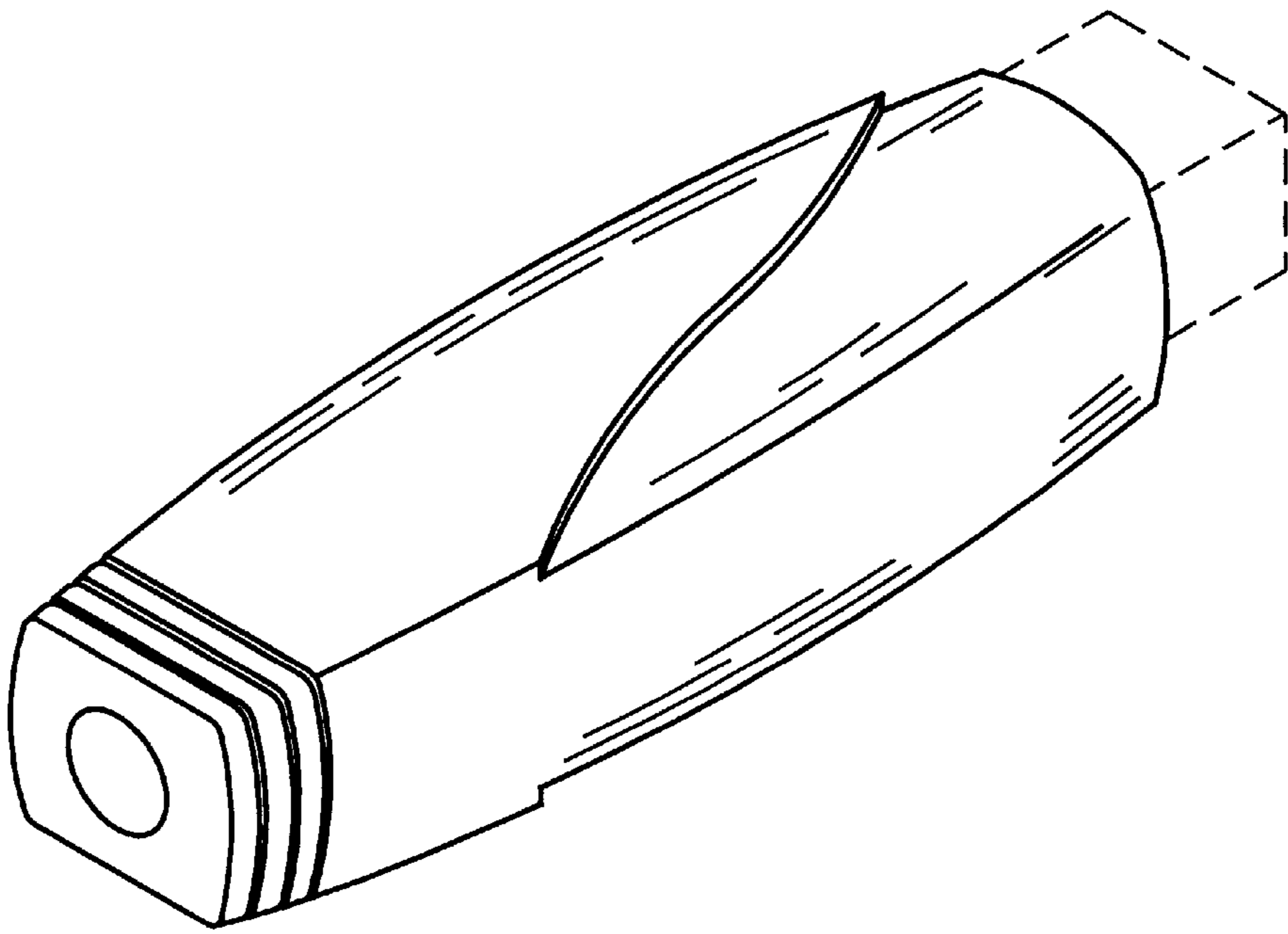


FIG. 8

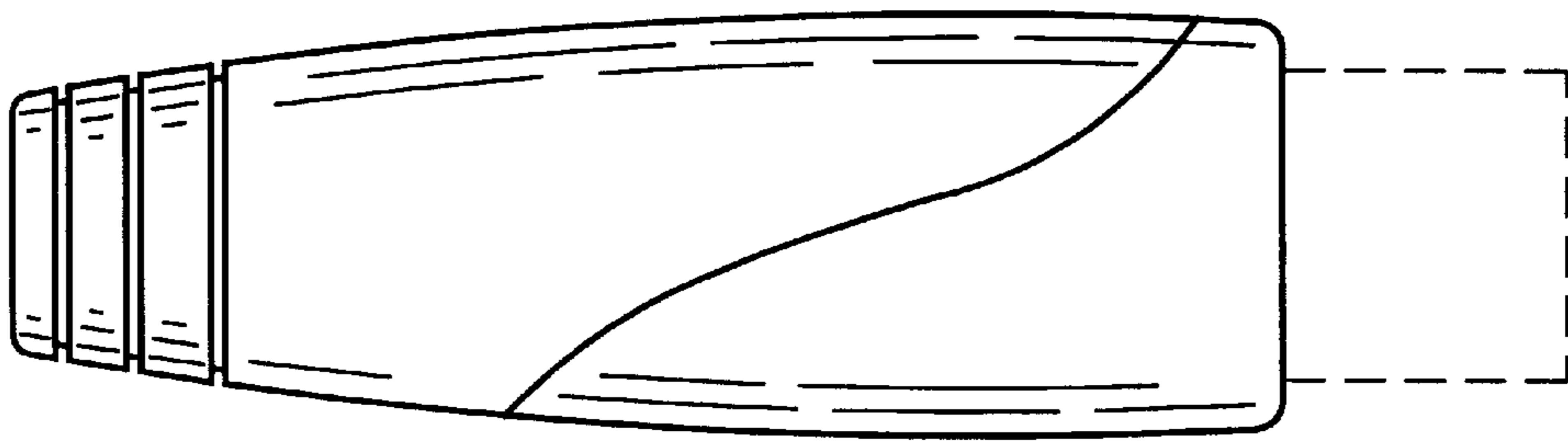


FIG. 9

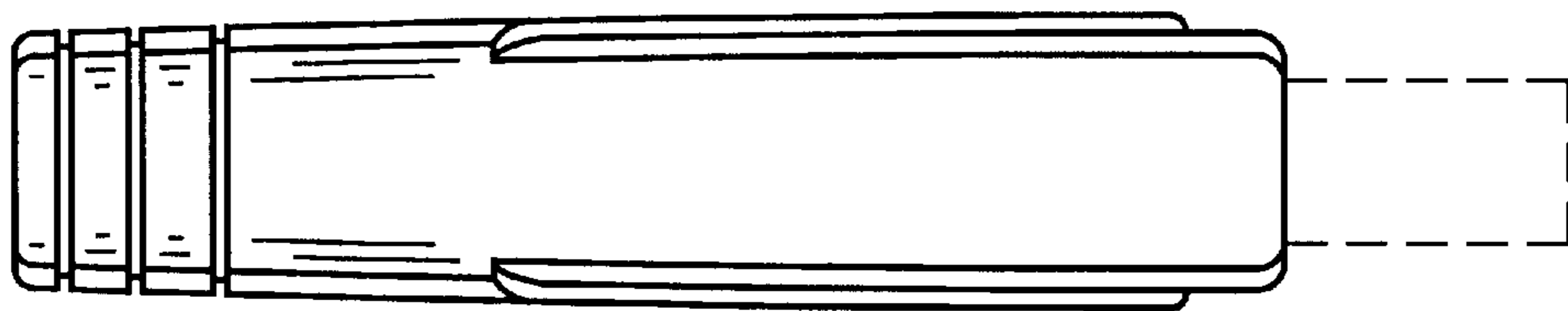


FIG. 10

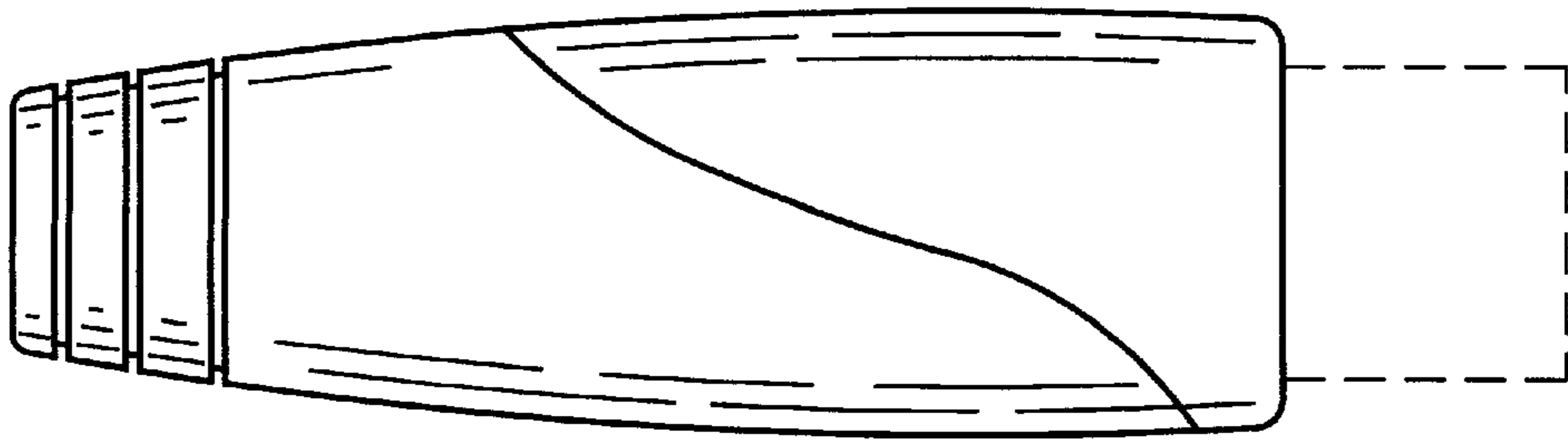


FIG. 11

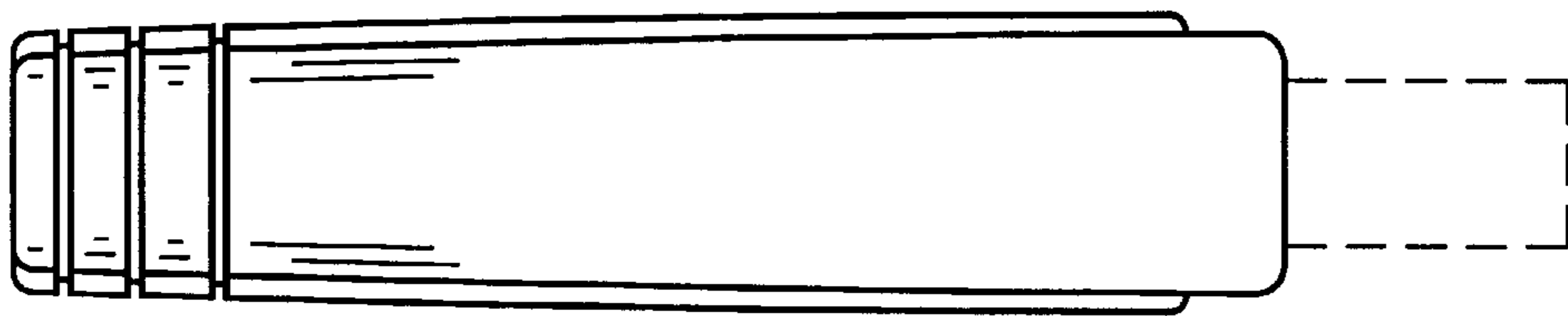


FIG. 12

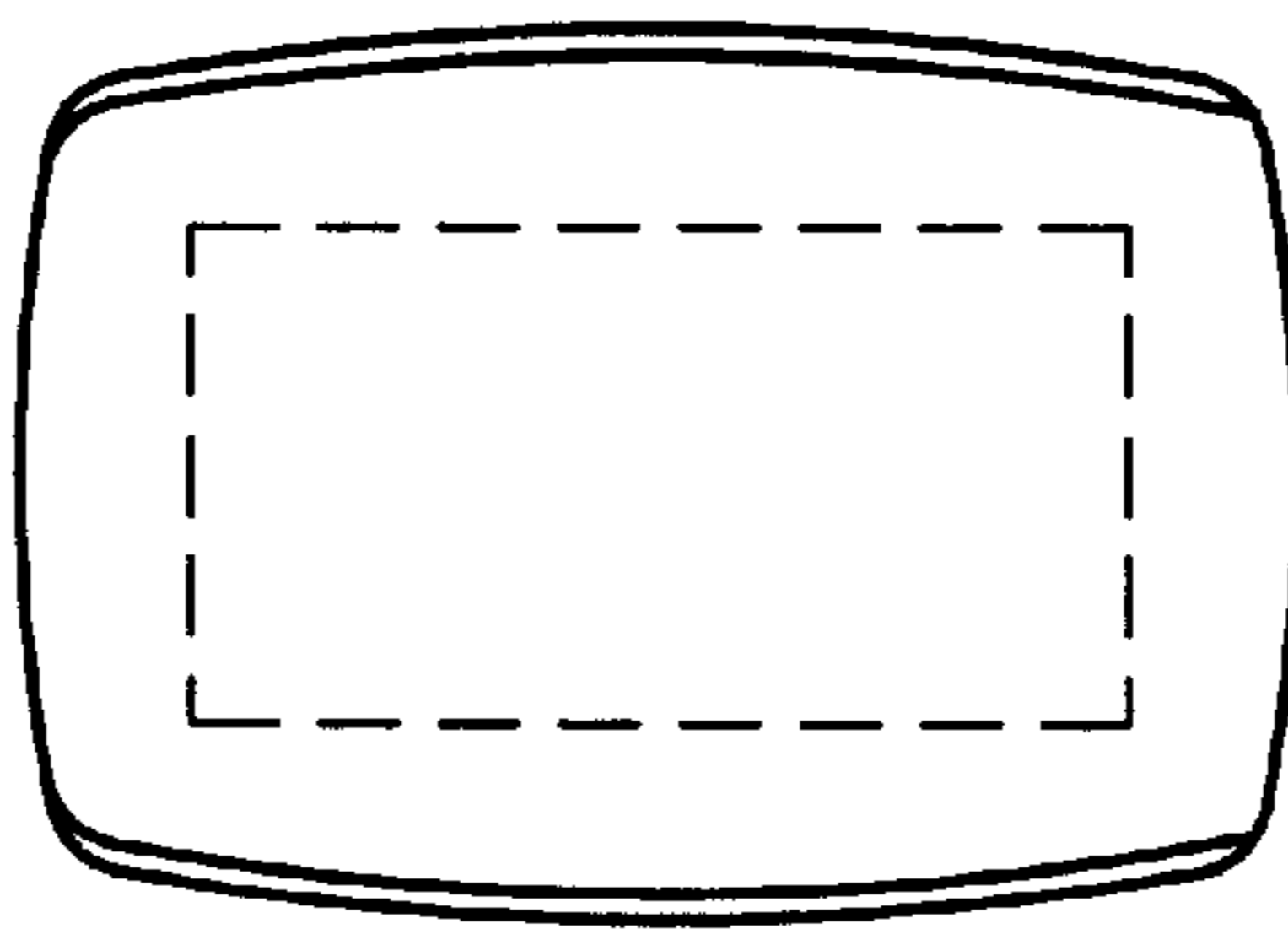


FIG. 13

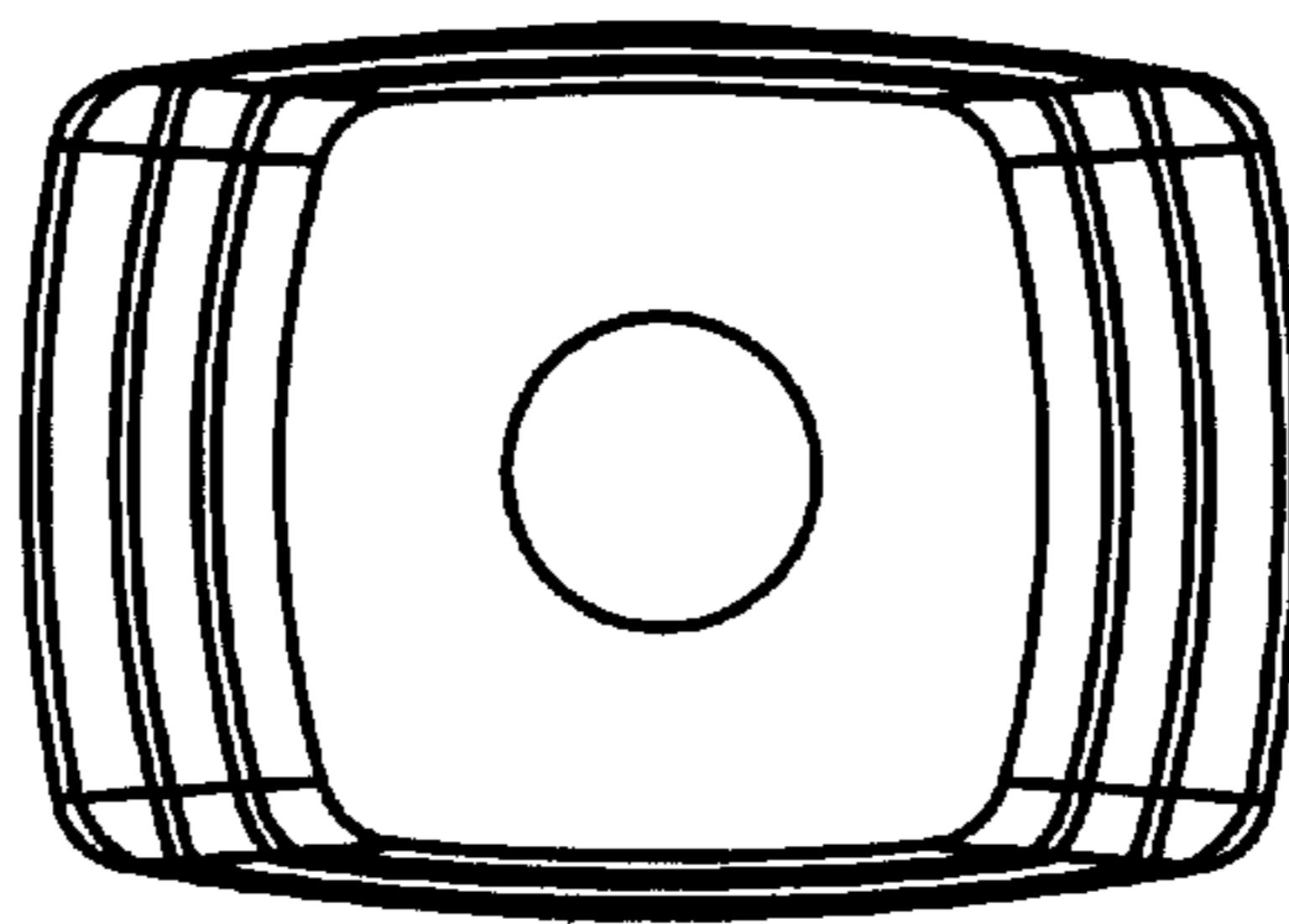


FIG. 14