



US00D425486S

# United States Patent [19]

Nishio et al.

[11] Patent Number: **Des. 425,486**

[45] Date of Patent: **\*\* May 23, 2000**

[54] **CONNECTOR FOR A MEMORY CARD**

[75] Inventors: **Atsushi Nishio**, Ibaraki-ken; **Katsuhiko Hori**, Mito; **Kazuhiro Okazaki**, Hitachinaka, all of Japan

[73] Assignee: **Mitsumi Electric Co., Ltd.**, Japan

[\*\*] Term: **14 Years**

[21] Appl. No.: **29/106,475**

[22] Filed: **Jun. 16, 1999**

[30] **Foreign Application Priority Data**

Dec. 18, 1998 [JP] Japan ..... 10-36565

[51] **LOC (7) Cl.** ..... **13-03**

[52] **U.S. Cl.** ..... **D13/147**

[58] **Field of Search** ..... D13/146, 147; 439/64, 79, 159

[56] **References Cited**

**U.S. PATENT DOCUMENTS**

- D. 320,003 9/1991 Komatsu ..... D13/147
- D. 416,541 11/1999 Hirai et al. .... D13/147

- 5,139,435 8/1992 Komatsu et al. .... 439/159
- 5,389,001 2/1995 Broschard, III et al. .... 439/159
- 5,492,481 2/1996 Lewis ..... 439/159
- 5,954,522 9/1999 Ho et al. .... 439/79
- 5,967,803 10/1999 Ho ..... 439/79
- 5,967,813 10/1999 Ho et al. .... 439/159
- 5,967,845 10/1999 Ho et al. .... 439/64 X

*Primary Examiner*—Joel Sincavage  
*Attorney, Agent, or Firm*—Morrison Law Firm

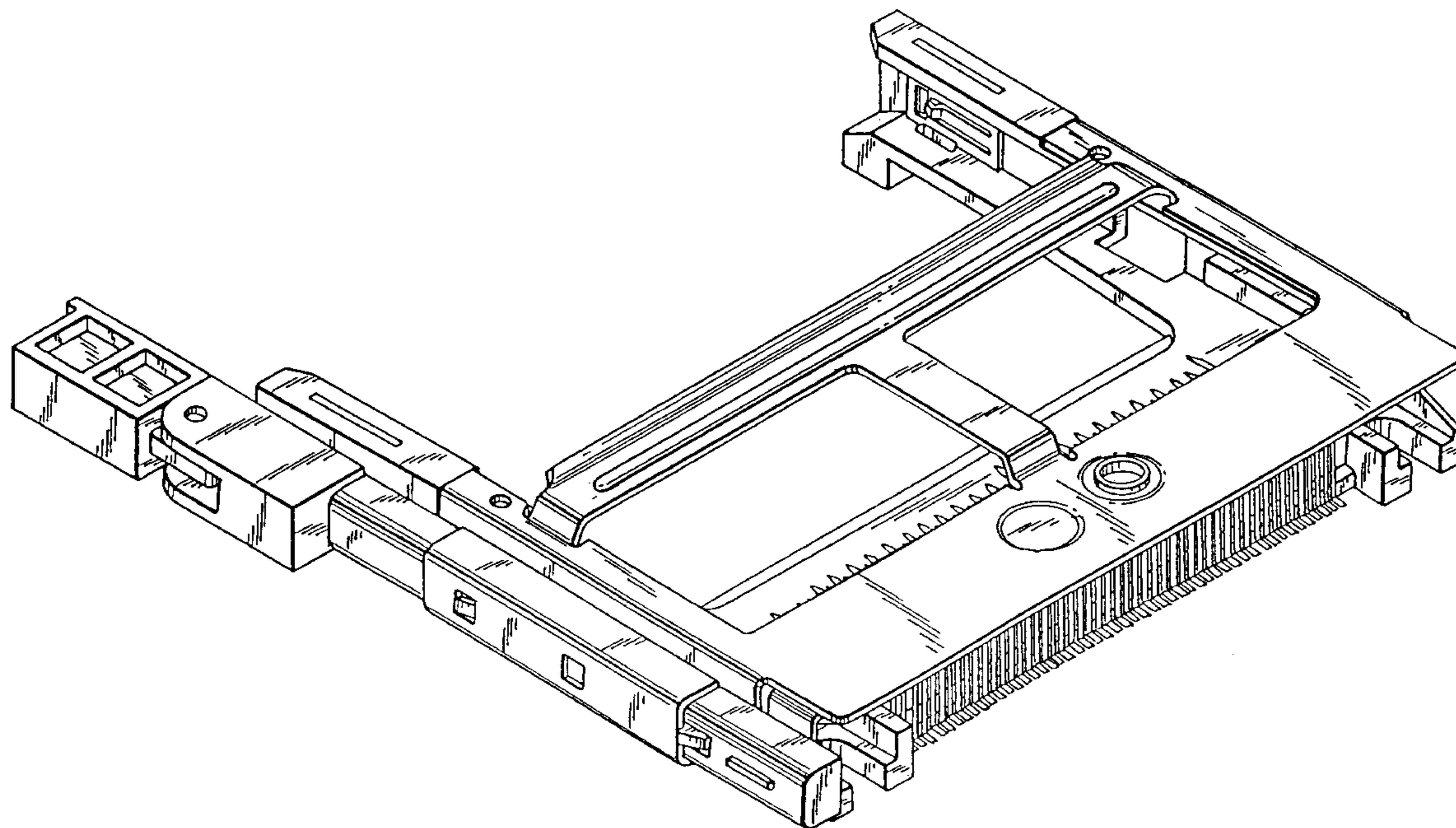
[57] **CLAIM**

The ornamental design for a connector for a memory card, as shown and described.

**DESCRIPTION**

FIG. 1 is a top, right side perspective view of an connector for a memory card showing our design; FIG. 2 is a top plan view thereof; FIG. 3 is a front elevational view thereof; FIG. 4 is a left side elevational view thereof; FIG. 5 is a right side elevational view thereof; FIG. 6 is a rear elevational view thereof; and, FIG. 7 is a bottom plan view thereof.

**1 Claim, 5 Drawing Sheets**



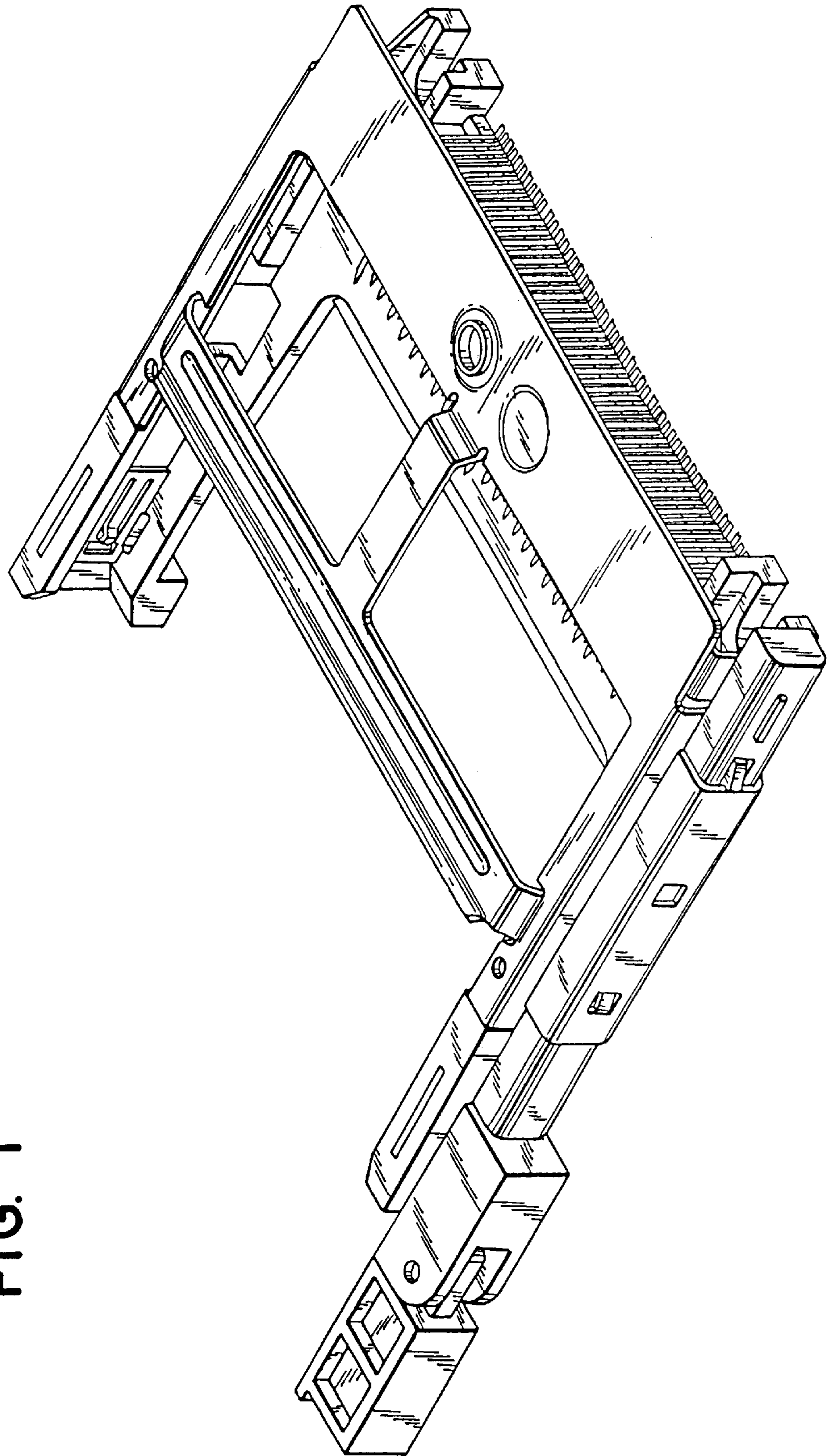


FIG. 1

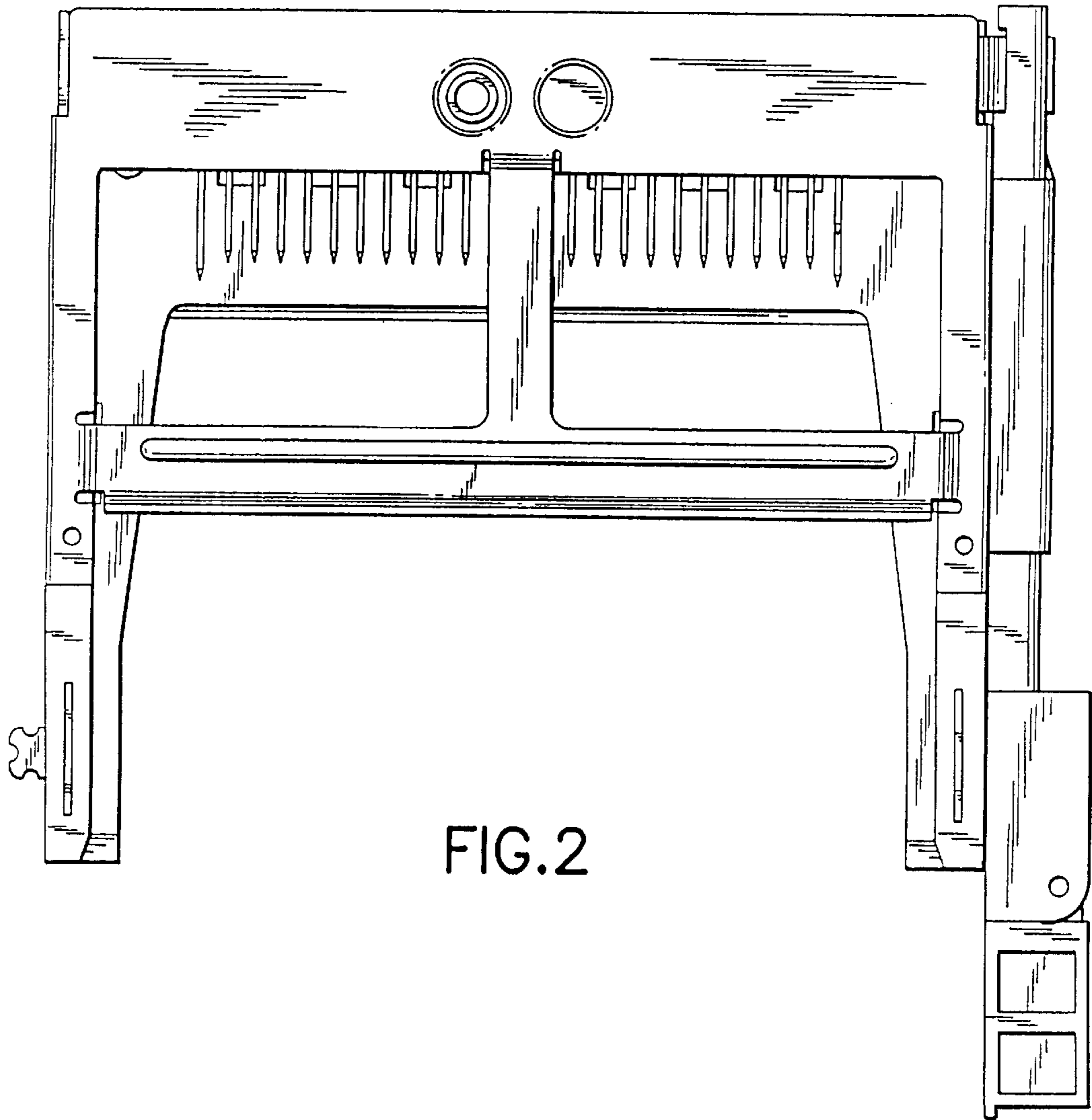


FIG. 2

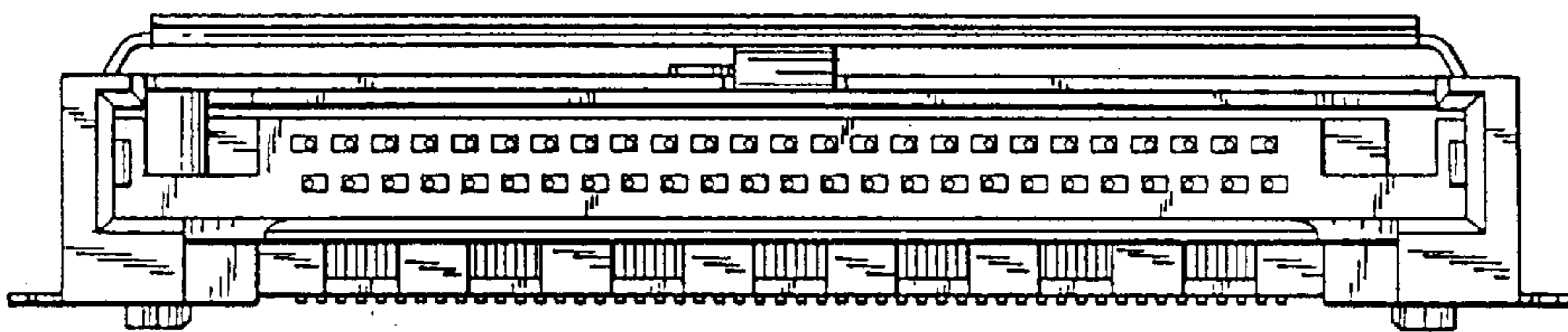


FIG.3

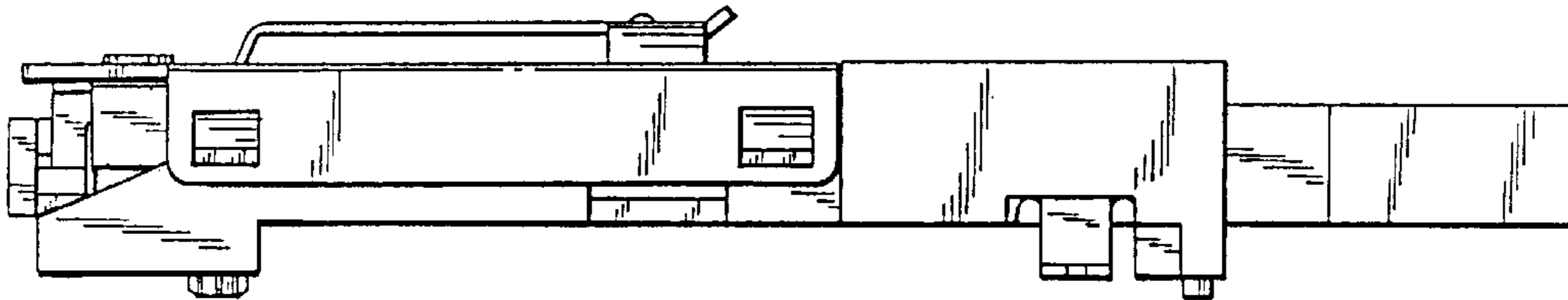


FIG.4

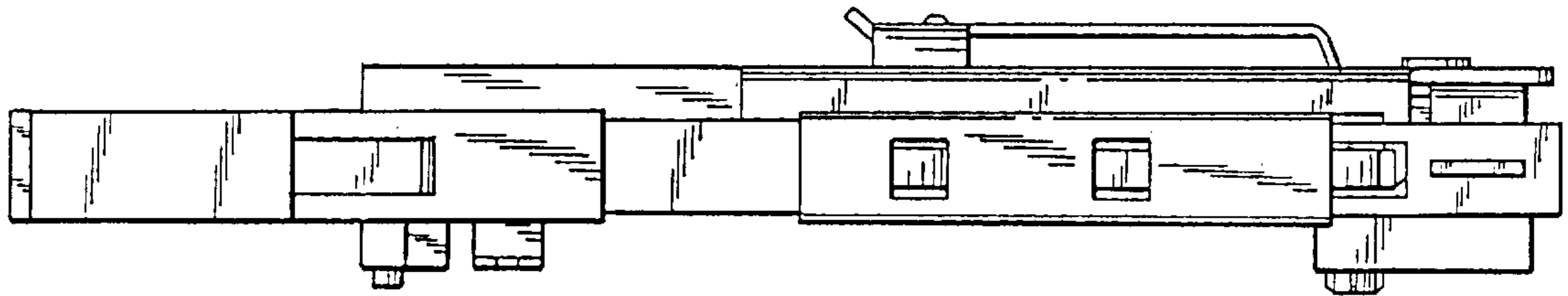


FIG. 5

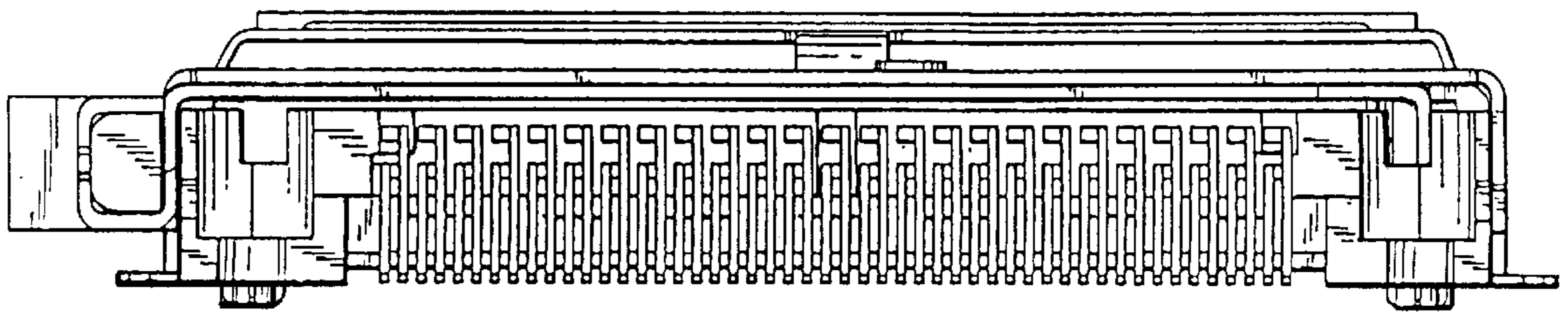


FIG. 6

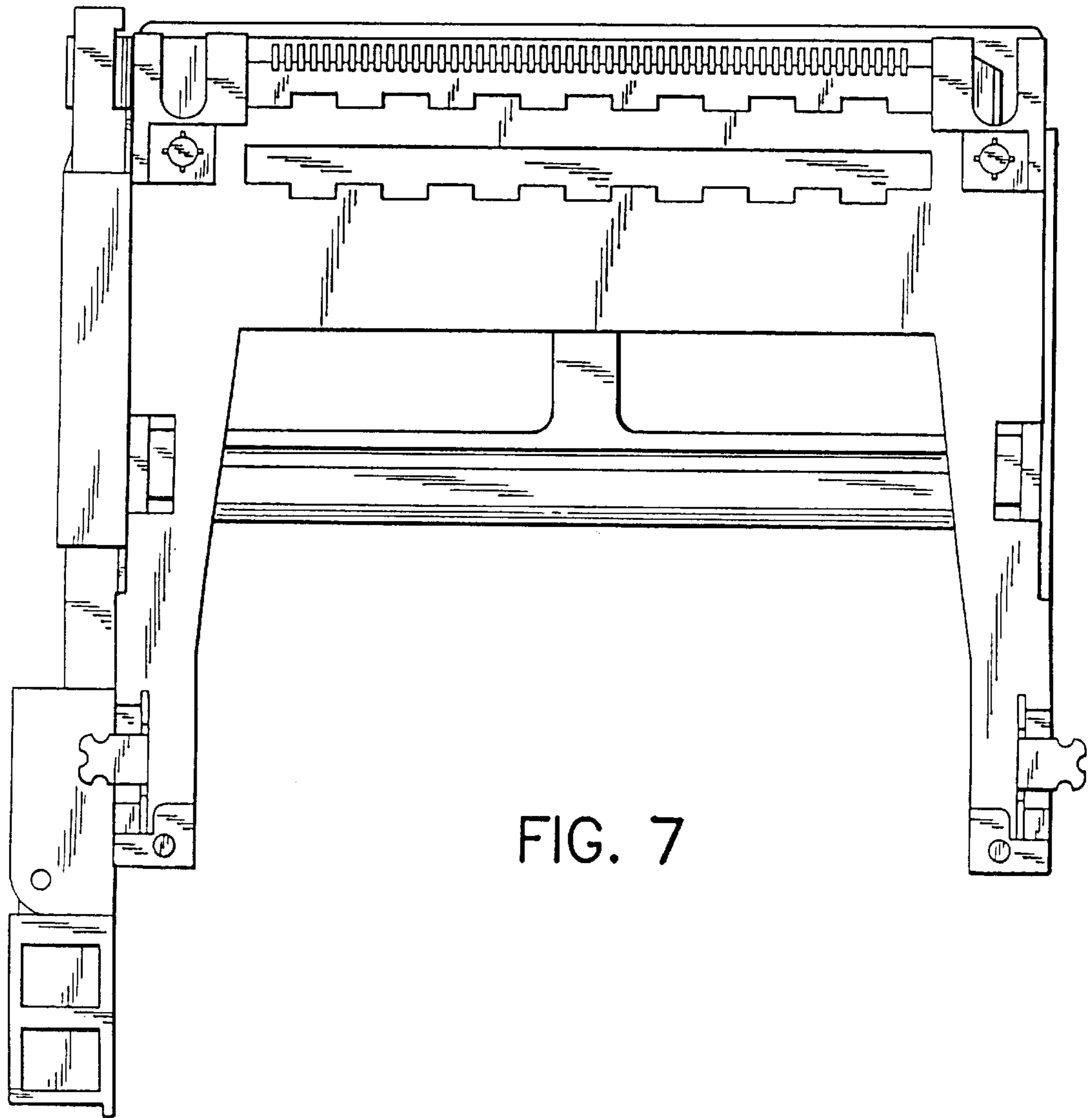


FIG. 7