



US00D425485S

# United States Patent [19]

Nishio et al.

[11] Patent Number: **Des. 425,485**

[45] Date of Patent: **\*\* May 23, 2000**

[54] **CONNECTOR FOR A MEMORY CARD**

[75] Inventors: **Atsushi Nishio**, Ibaraki-Ken; **Katsuhiro Hori**, Mito; **Kazuhiro Okazaki**, Hitachinaka, all of Japan

[73] Assignee: **Mitsumi Electric Co., Ltd.**, Japan

[\*\*] Term: **14 Years**

[21] Appl. No.: **29/106,474**

[22] Filed: **Jun. 16, 1999**

### [30] Foreign Application Priority Data

Dec. 18, 1998 [JP] Japan ..... 10-36564

[51] **LOC (7) Cl.** ..... **13-03**

[52] **U.S. Cl.** ..... **D13/147**

[58] **Field of Search** ..... D13/146, 147;  
439/64, 79, 159

### [56] References Cited

#### U.S. PATENT DOCUMENTS

D. 320,003 9/1991 Komatsu ..... D13/147  
D. 416,541 11/1999 Hirai et al. .... D13/147

5,139,435 8/1992 Komatsu et al. .... 439/159  
5,389,001 2/1995 Broschard, III et al. .... 439/159  
5,492,481 2/1996 Lewis ..... 439/159  
5,954,522 9/1999 Ho et al. .... 439/79  
5,967,803 10/1999 Ho ..... 439/79  
5,967,813 10/1999 Ho et al. .... 439/159  
5,967,845 10/1999 Ho et al. .... 439/64 X

*Primary Examiner*—Joel Sincavage  
*Attorney, Agent, or Firm*—Morrison Law, Firm

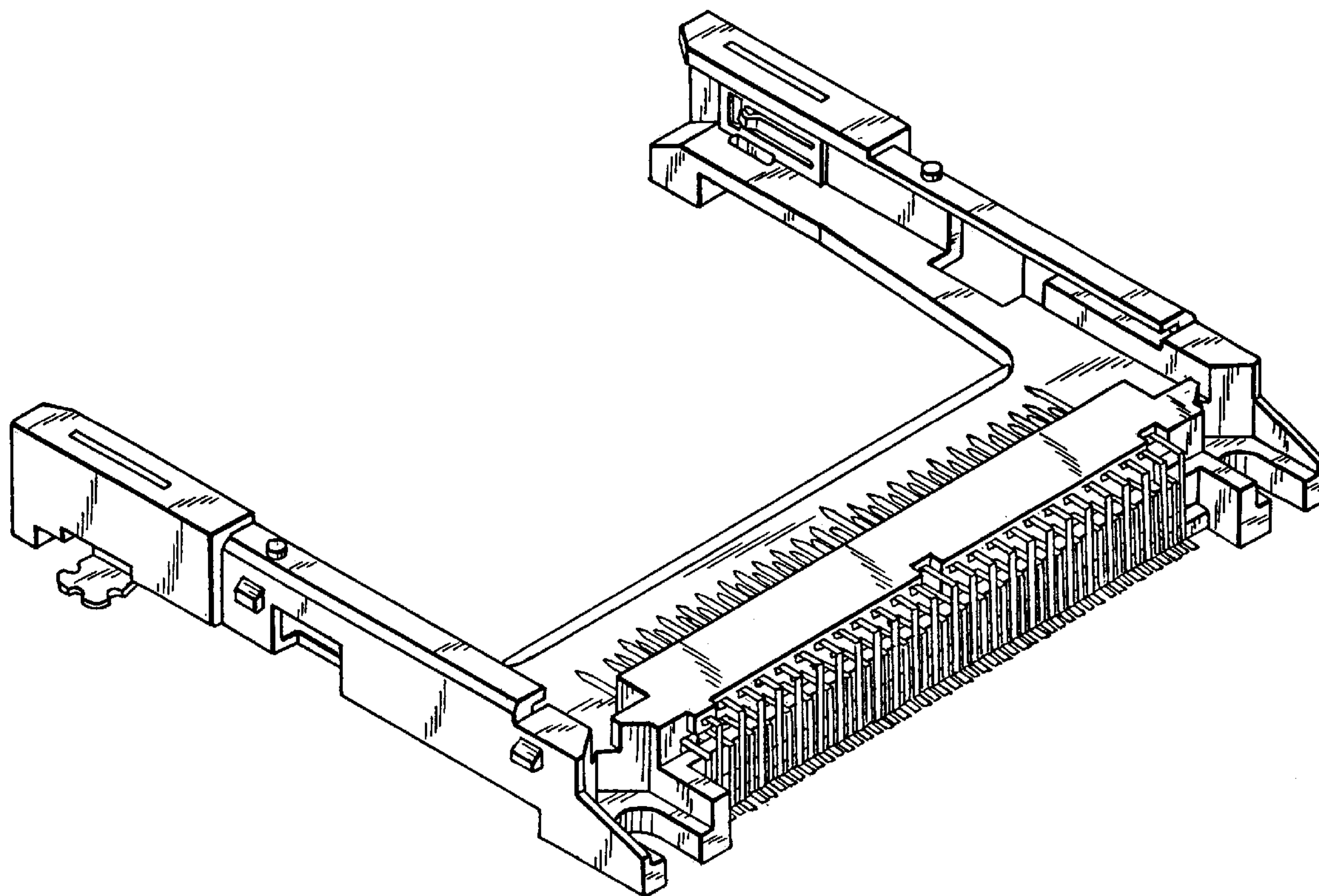
### [57] CLAIM

The ornamental design for a connector for a memory card, as shown and described.

### DESCRIPTION

FIG. 1 is a top, rear, right side perspective view of an connector for a memory card showing our design; FIG. 2 is a top plan view thereof; FIG. 3 is a front elevational view thereof; FIG. 4 is a left side elevational view thereof; FIG. 5 is a right side elevational view thereof; FIG. 6 is a rear elevational view thereof; and, FIG. 7 is a bottom plan view thereof.

**1 Claim, 5 Drawing Sheets**



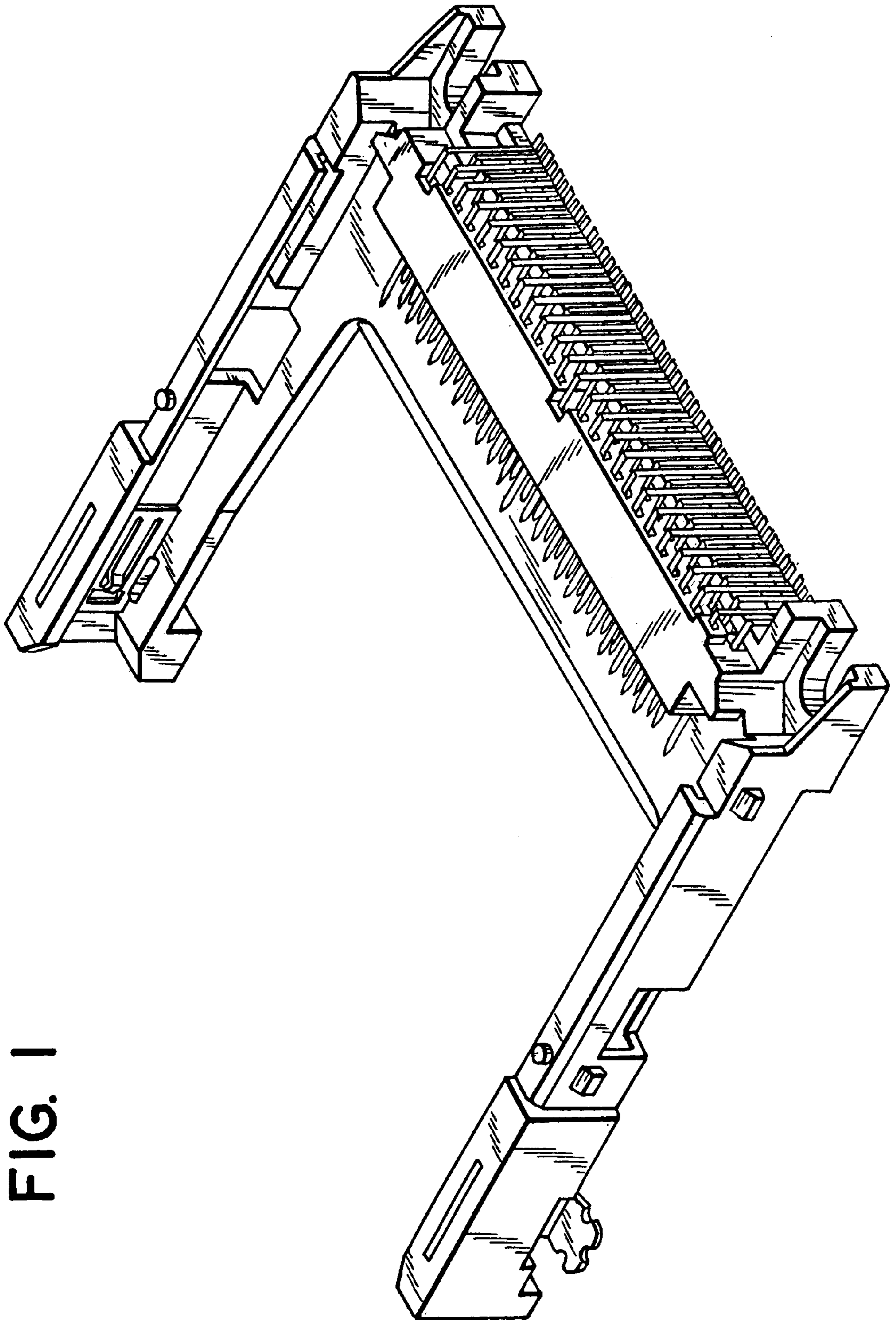


FIG. 1

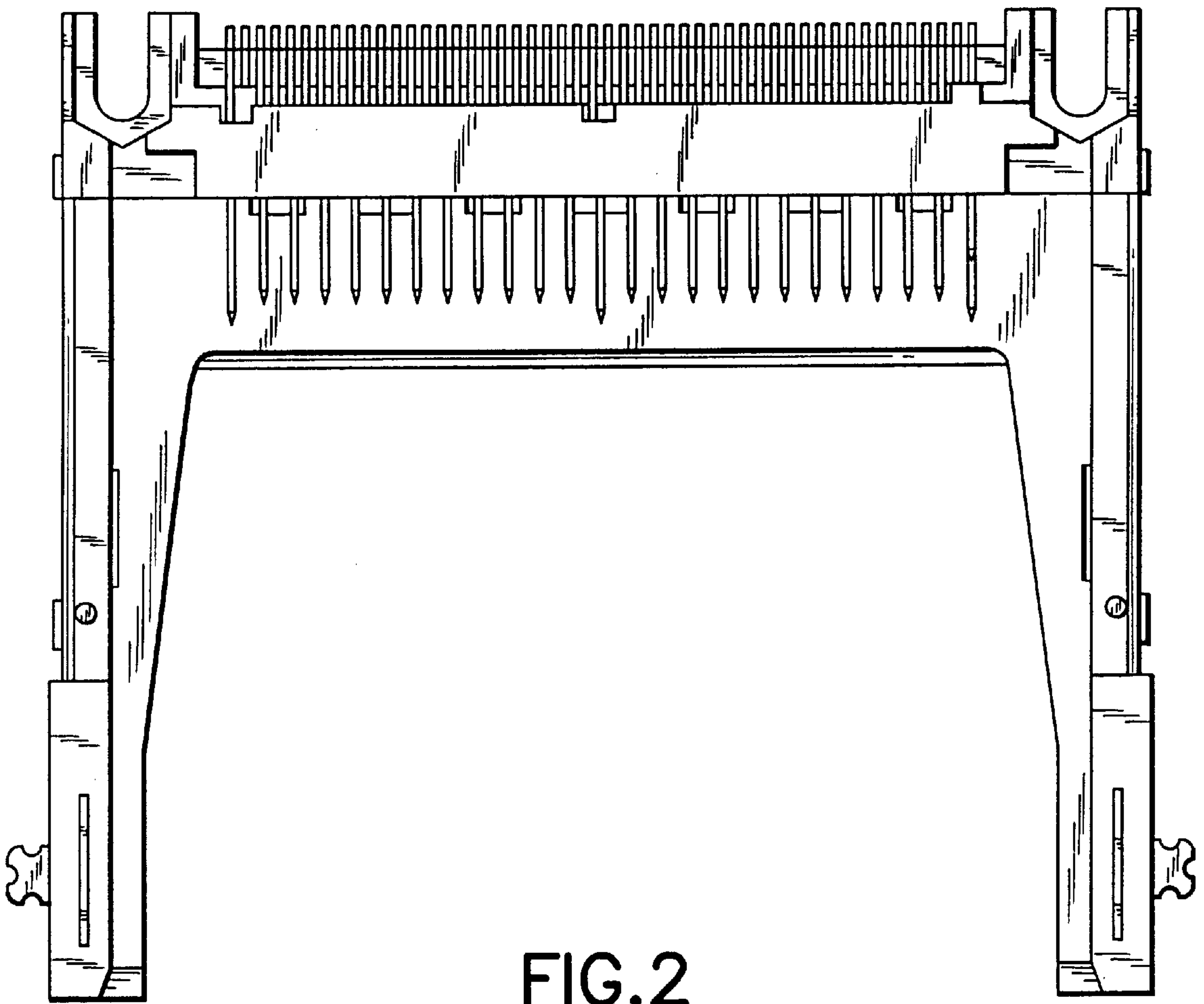


FIG.2

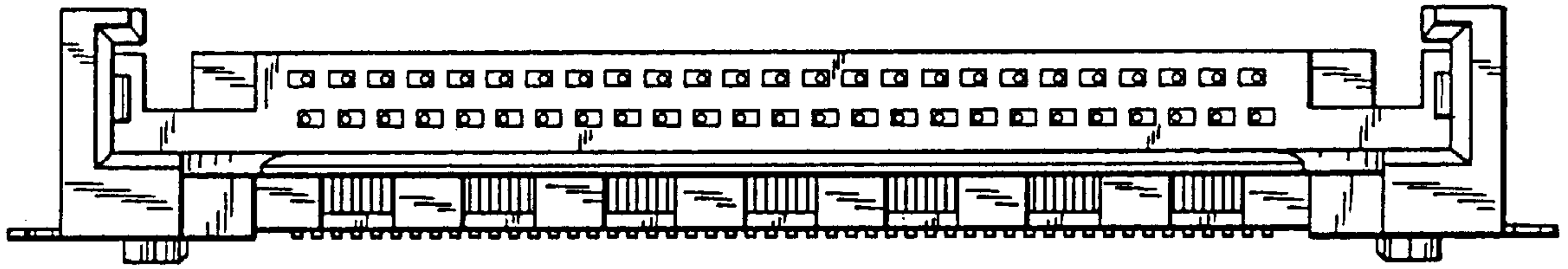


FIG. 3

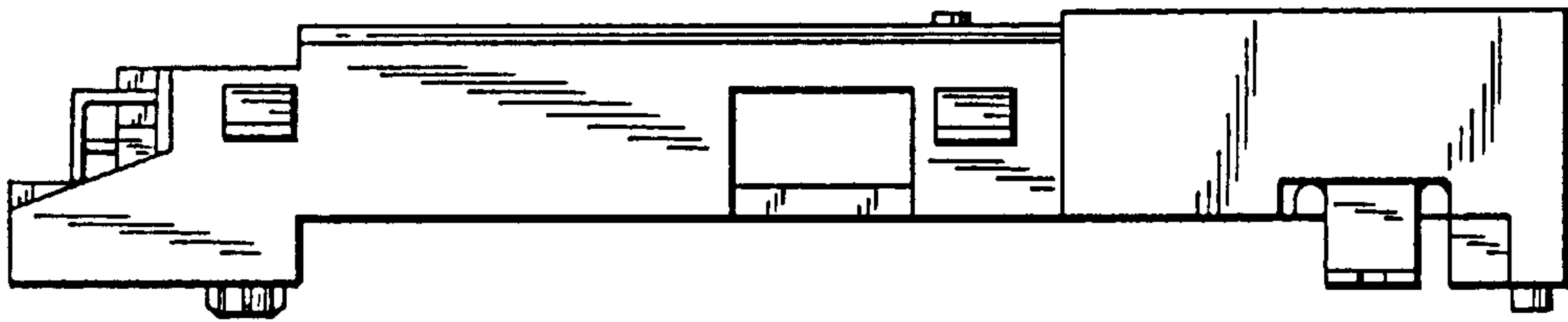


FIG. 4

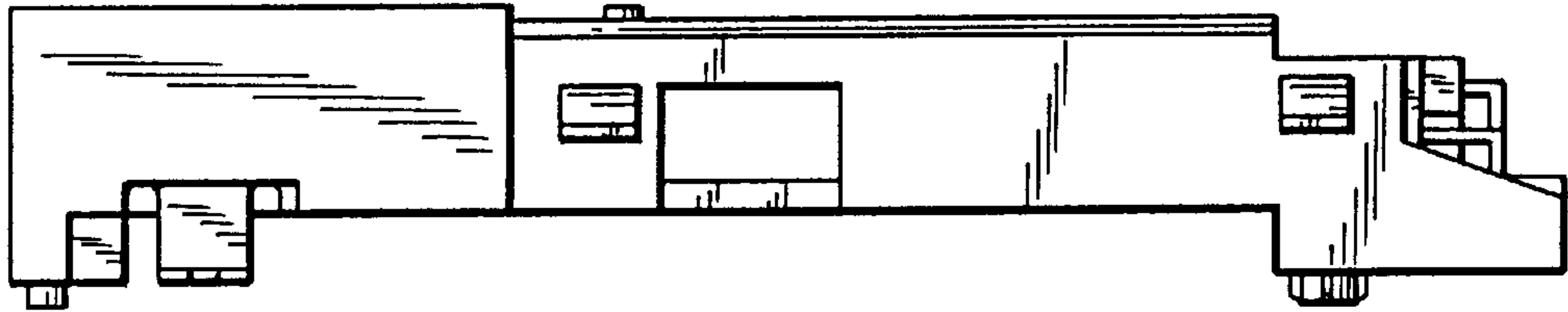


FIG. 5

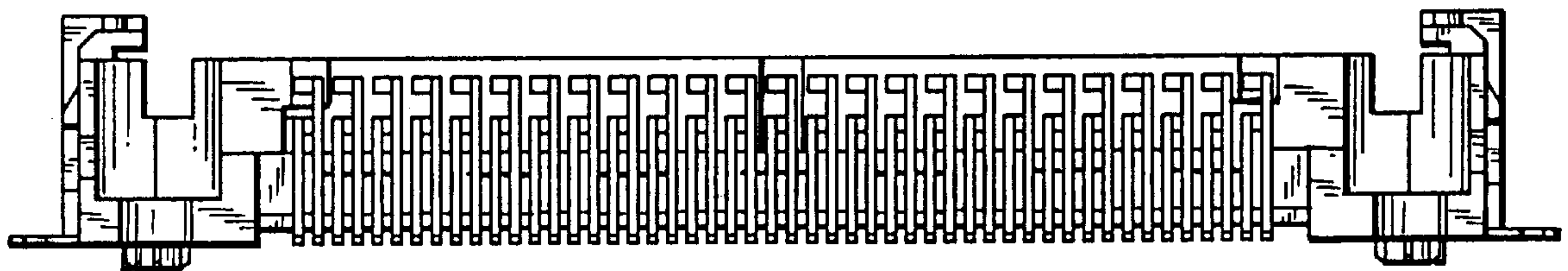


FIG. 6



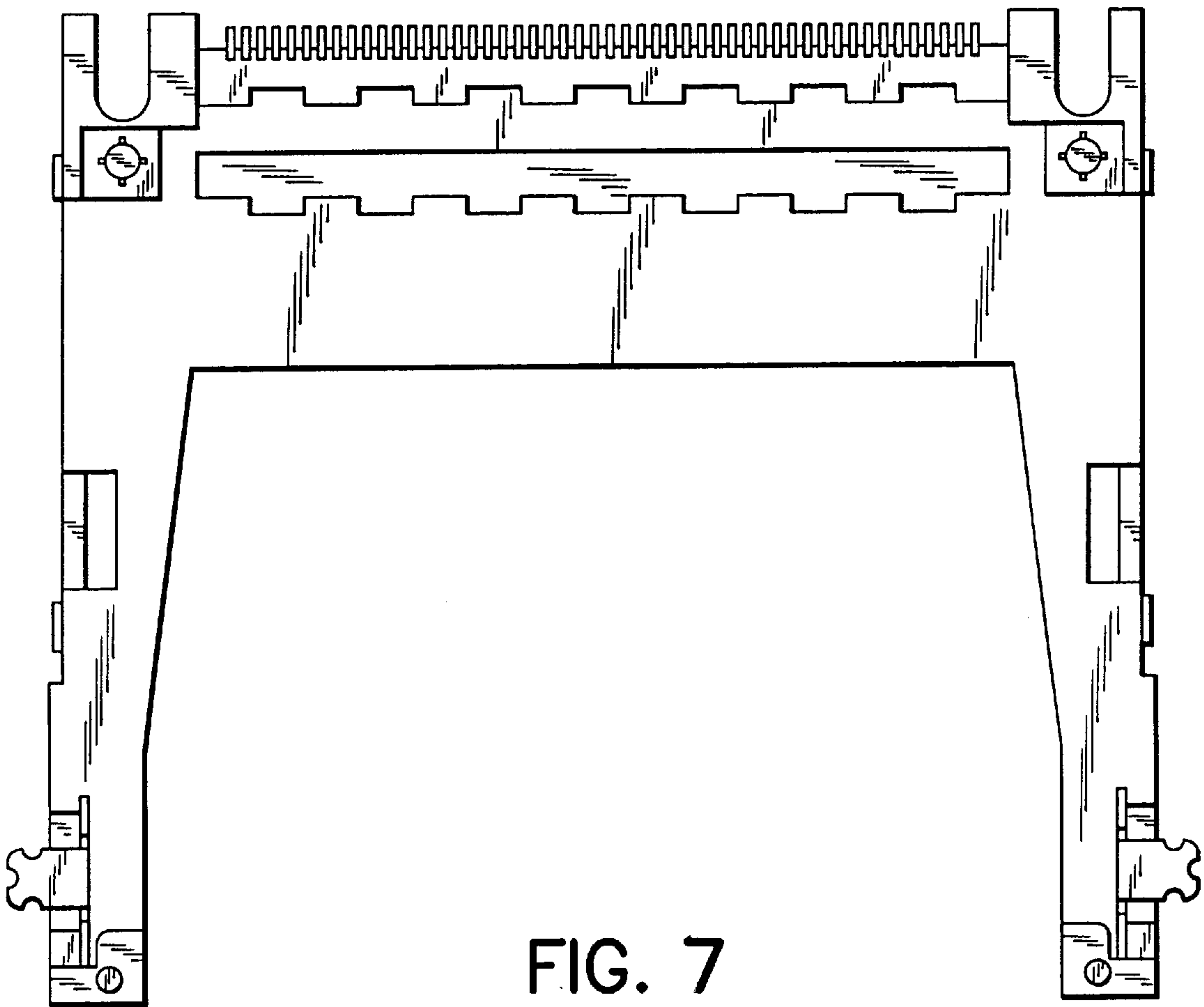


FIG. 7