



US00D425484S

United States Patent [19]
Ahlgren

[11] **Patent Number: Des. 425,484**

[45] **Date of Patent: ** May 23, 2000**

[54] **PLUG**

[75] Inventor: **Erik A. Ahlgren**, Malmö, Sweden

[73] Assignee: **Telefonaktiebolaget LM Ericsson**, Stockholm, Sweden

[**] Term: **14 Years**

[21] Appl. No.: **29/105,618**

[22] Filed: **May 26, 1999**

[30] **Foreign Application Priority Data**

Nov. 26, 1998 [SE] Sweden 98-2334

[51] **LOC (7) Cl.** **13-03**

[52] **U.S. Cl.** **D13/147**

[58] **Field of Search** D13/146, 147;
D14/240; 439/350, 352, 355, 692, 695

[56] **References Cited**

U.S. PATENT DOCUMENTS

D. 353,577 12/1994 Shoda et al. D13/147

D. 398,288 9/1998 Toly D13/147
D. 402,632 12/1998 Richards et al. D13/147 X
5,580,182 12/1996 Lin 439/352 X
5,951,317 9/1999 Tracy et al. 439/352

Primary Examiner—Joel Sincavage
Attorney, Agent, or Firm—Burns, Doane, Swecker & Mathis, L.L.P.

[57] **CLAIM**

The ornamental design for a plug, as shown and described.

DESCRIPTION

FIG. 1 is a top perspective view of a plug showing my new design;
FIG. 2 is a right side elevational view thereof;
FIG. 3 is a left side elevational view thereof;
FIG. 4 is a front elevational view thereof;
FIG. 5 is a top plan view thereof;
FIG. 6 is a rear elevational view thereof; and,
FIG. 7 is a bottom plan view thereof.

1 Claim, 2 Drawing Sheets

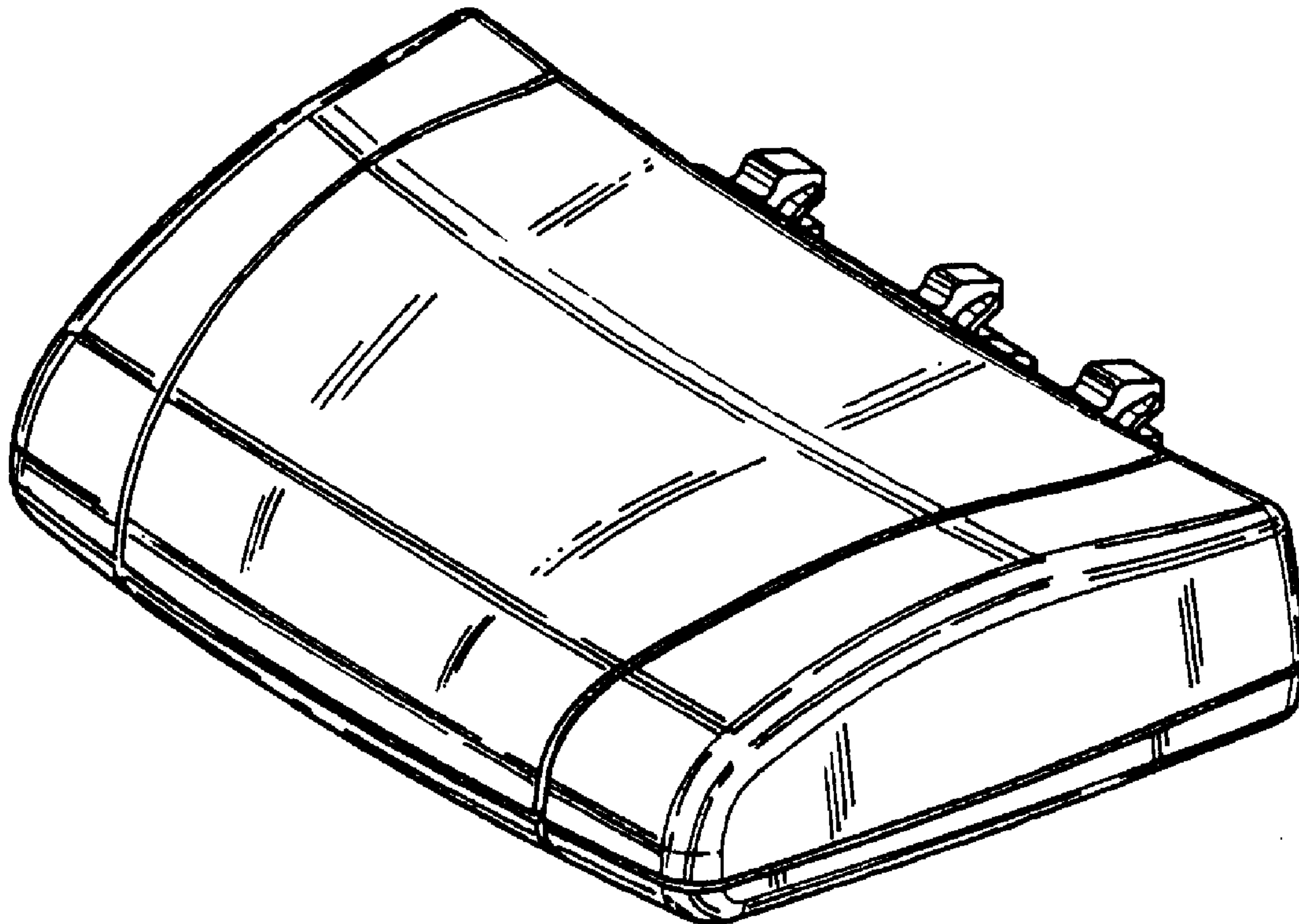


FIG. 1

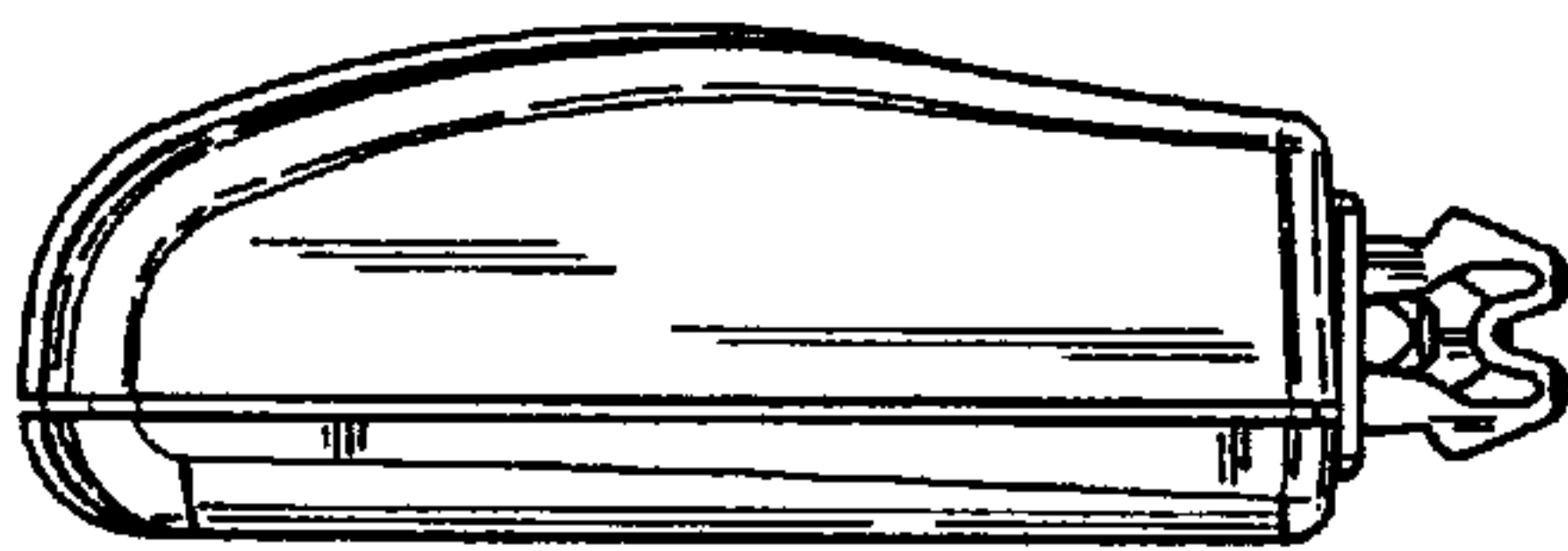
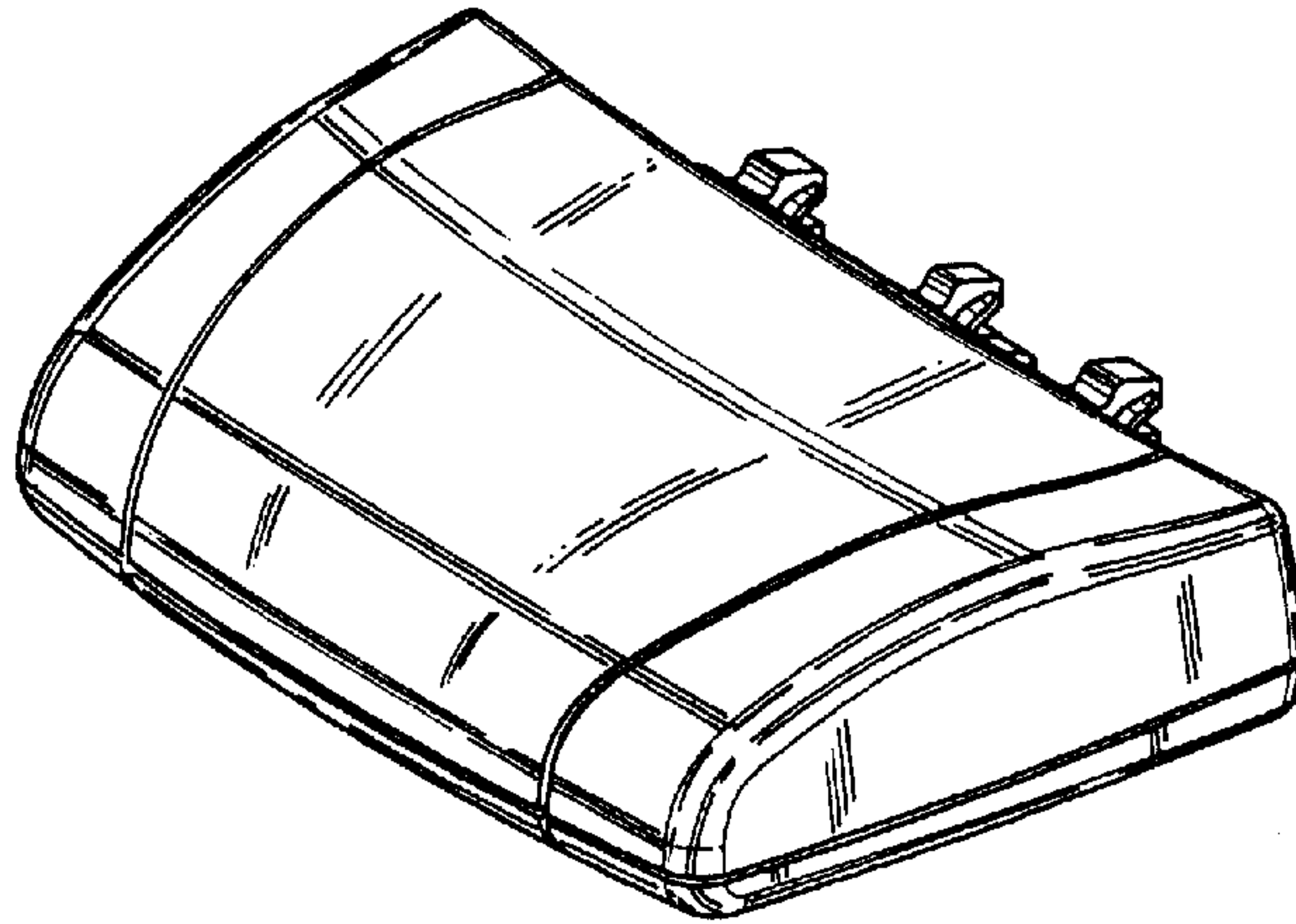


FIG. 2

FIG. 3



FIG. 4

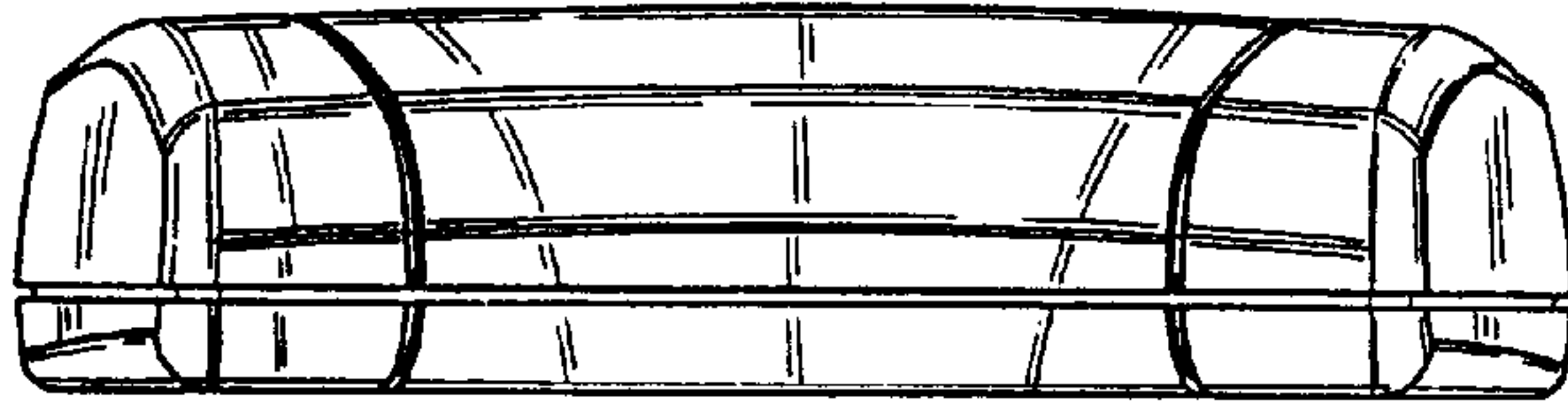


FIG. 5

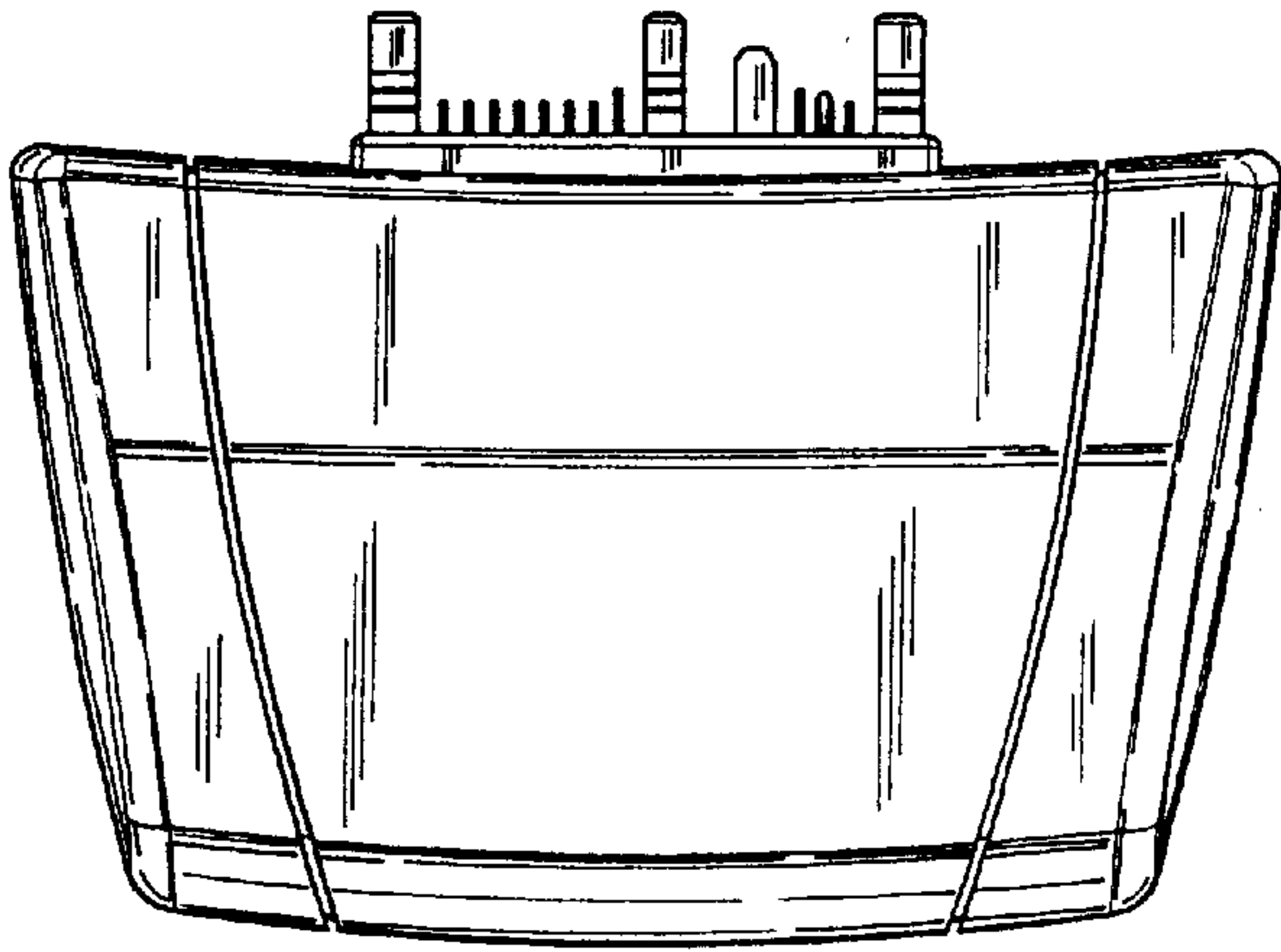


FIG. 6

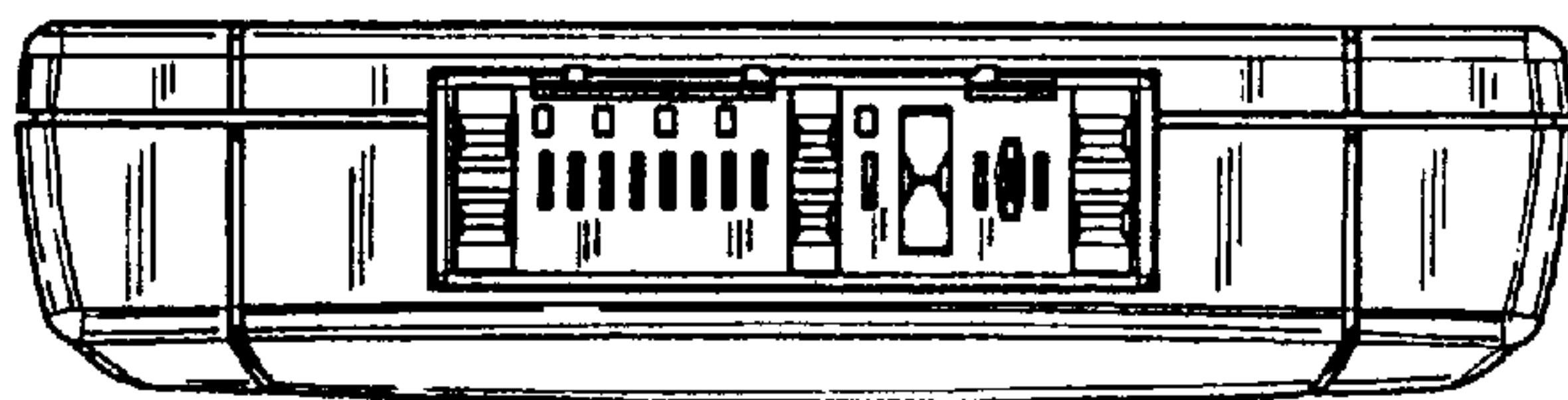


FIG. 7

