



US00D425482S

United States Patent [19]

[11] Patent Number: Des. 425,482

Rossman et al.

[45] Date of Patent: ** May 23, 2000

[54] POWER STRIP

[75] Inventors: **Jon R. Rossman**, Chelmsford; **Bryan R. Hotaling**, Arlington, both of Mass.; **Michael P. Clay**, Bedminster, N.J.

[73] Assignee: **Curtis Computer Products**, Dayton, N.J.

[**] Term: 14 Years

[21] Appl. No.: 29/102,960

[22] Filed: Apr. 5, 1999

- D. 367,037 2/1996 Fladung et al. .
- D. 368,893 4/1996 Harwood et al. .
- D. 372,702 8/1996 Sanner D13/139.8
- D. 406,562 3/1999 Al-Sabah D13/137.1
- 3,019,357 1/1962 Zaffina .
- 3,257,497 6/1966 Chase .
- 3,290,453 12/1966 Jensen .
- 3,997,225 12/1976 Horwinski .
- 4,095,871 6/1978 Holte .
- 4,500,150 2/1985 Leibensperger et al. .
- 5,071,367 12/1991 Luu .
- 5,457,600 10/1995 Campbell et al. .
- 5,516,298 5/1996 Smith .
- 5,596,479 1/1997 Campbell et al. .
- 5,676,566 10/1997 Carlson, Jr. et al. .
- 5,848,915 12/1998 Canizales 439/650

Related U.S. Application Data

[62] Division of application No. 29/092,823, Aug. 27, 1998, Pat. No. Des. 411,511.

[51] LOC (7) Cl. 13-03

[52] U.S. Cl. D13/139.1

[58] Field of Search 439/650, 651, 439/652, 653, 638, 501, 954; D13/137.1-137.4, 139.1-139.8; 361/56, 59, 115, 119, 643

Primary Examiner—Susan J. Lucas
Assistant Examiner—Jennifer Rivard
Attorney, Agent, or Firm—Pennie & Edmonds LLP

[57] CLAIM

The ornamental design for a power strip, as shown and described.

DESCRIPTION

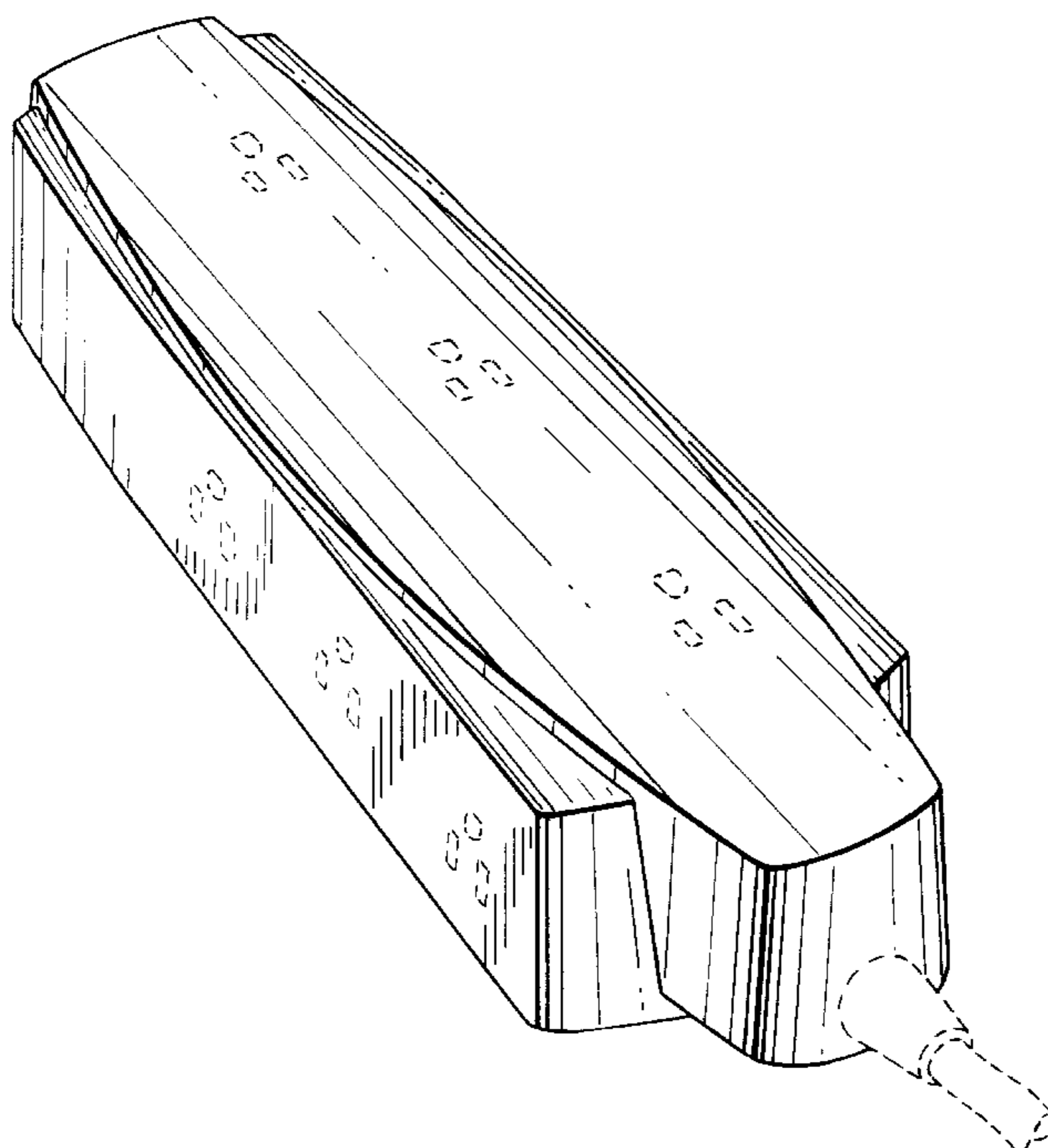
FIG. 1 is a perspective view of a power strip having outlets on three sides according to the present invention, the broken lines are shown for illustrative purposes only and form no part of the claimed design;
FIG. 2 is a front elevational view of the power strip of FIG. 1; and,
FIG. 3 is a left elevational view of the power strip of FIG. 1, the right elevational view being a mirror image thereof. The surface(s) or portion(s) of the article not shown in the drawings or described in the specification form(s) no part of the claimed design.

[56] References Cited

U.S. PATENT DOCUMENTS

- D. 164,338 8/1951 Tyler .
- D. 274,808 7/1984 Schwartz .
- D. 288,177 2/1987 Yang .
- D. 288,298 2/1987 Yang .
- D. 294,487 3/1988 Bannigan .
- D. 301,576 6/1989 Wang .
- D. 327,873 7/1992 Luu .
- D. 350,916 9/1994 Rossman et al. .
- D. 350,939 9/1994 Rossman et al. .
- D. 350,940 9/1994 Rossman et al. .
- D. 366,865 2/1996 Stringer D13/139.8

1 Claim, 2 Drawing Sheets



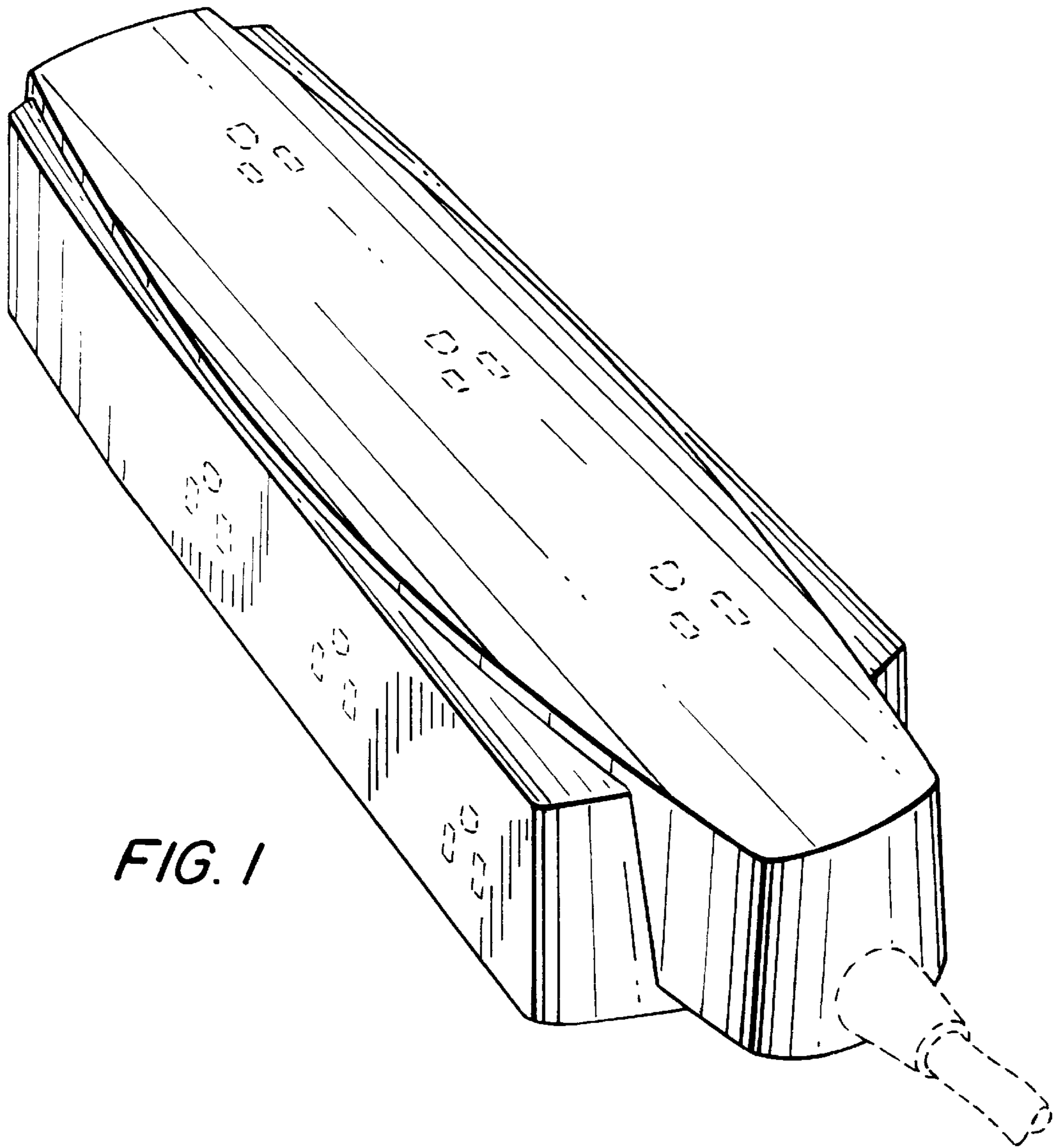


FIG. 1

FIG. 2

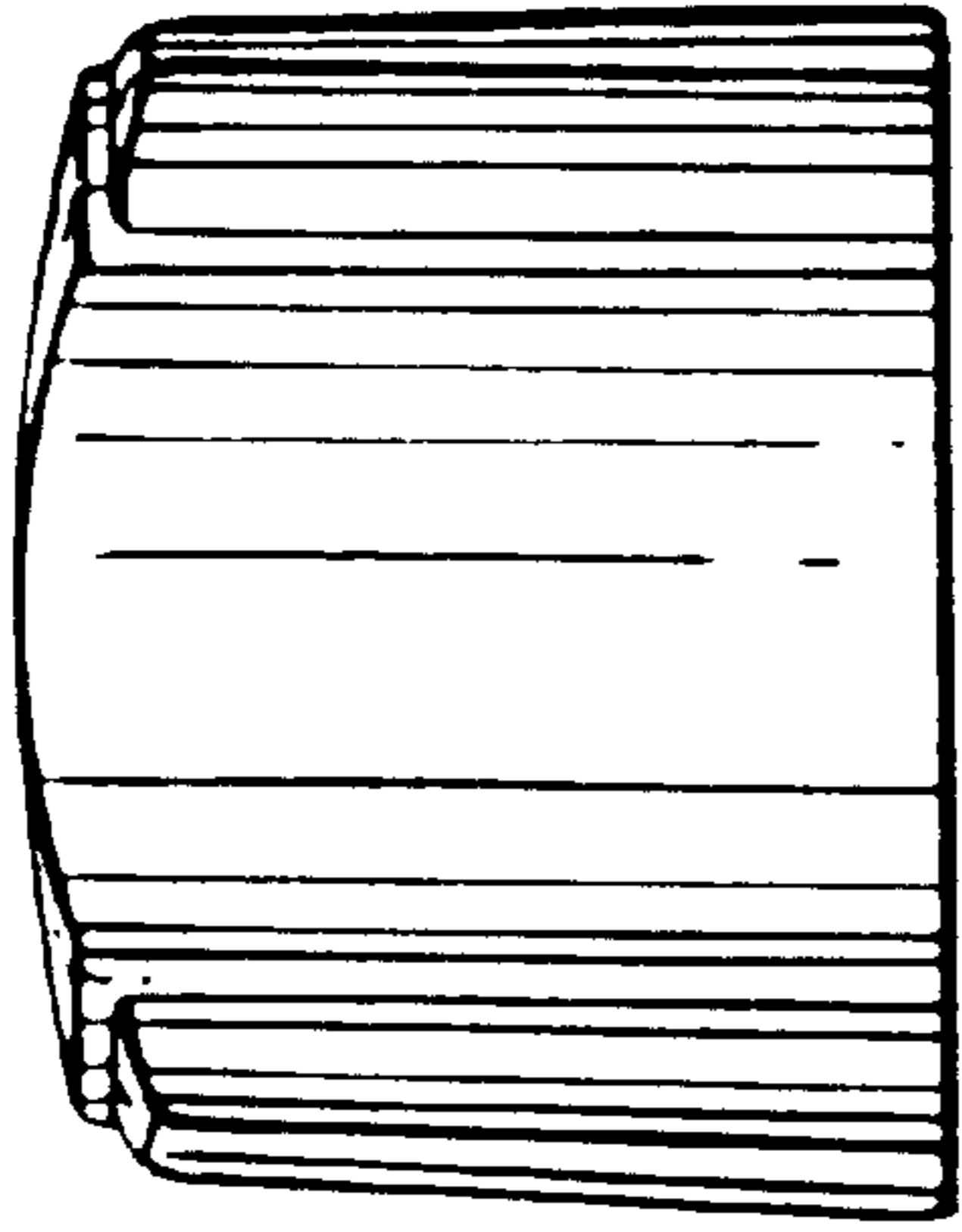


FIG. 3

