



US00D425481S

United States Patent [19] Cutler

[11] **Patent Number: Des. 425,481**

[45] **Date of Patent: ** May 23, 2000**

[54] **LIGHTNING DISCHARGE STRIP**

[76] Inventor: **James Cutler**, 99 Chestnut Hill,
Killingworth, Conn. 06419

[**] Term: **14 Years**

[21] Appl. No.: **29/107,056**

[22] Filed: **Jun. 24, 1999**

[51] **LOC (7) Cl.** **13-03**

[52] **U.S. Cl.** **D13/133; D10/105**

[58] **Field of Search** **D13/133; D10/105;**
D23/388; D25/69; 361/117, 218, 220, 223

[56] **References Cited**

U.S. PATENT DOCUMENTS

D. 279,601	7/1985	Sexton	D23/388
D. 351,903	10/1994	Whitley, II	D23/388
4,630,168	12/1986	Hunt	361/218
5,278,535	1/1994	Xu et al.	361/117 X

Primary Examiner—Joel Sincavage
Attorney, Agent, or Firm—Bachman & LaPointe, P.C.

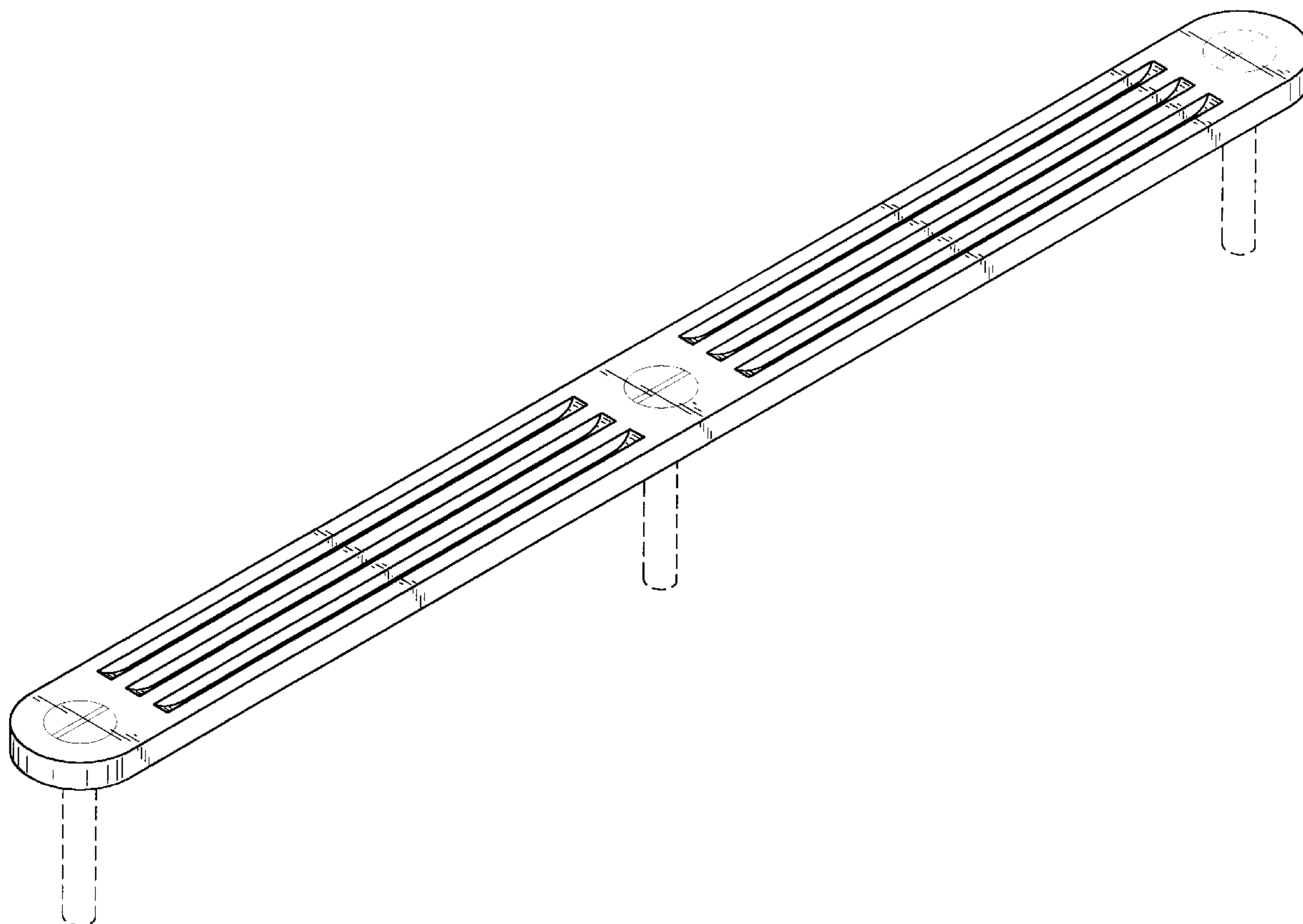
[57] **CLAIM**

The ornamental design for a lightning discharge strip, as shown and described.

DESCRIPTION

FIG. 1 is a front perspective view of a lightning discharge strip showing the new design of the present invention; FIG. 2 is a top plan view thereof; FIG. 3 is a front elevational view thereof, which view is identical to the rear elevational view; FIG. 4 is a left end view thereof, which view is identical to a right end view thereof; and, FIG. 5 is a bottom plan view thereof. The broken line showing throughout the drawing figures is included for the purpose of illustrating environmental structure only and forms no part of the claimed design.

1 Claim, 2 Drawing Sheets



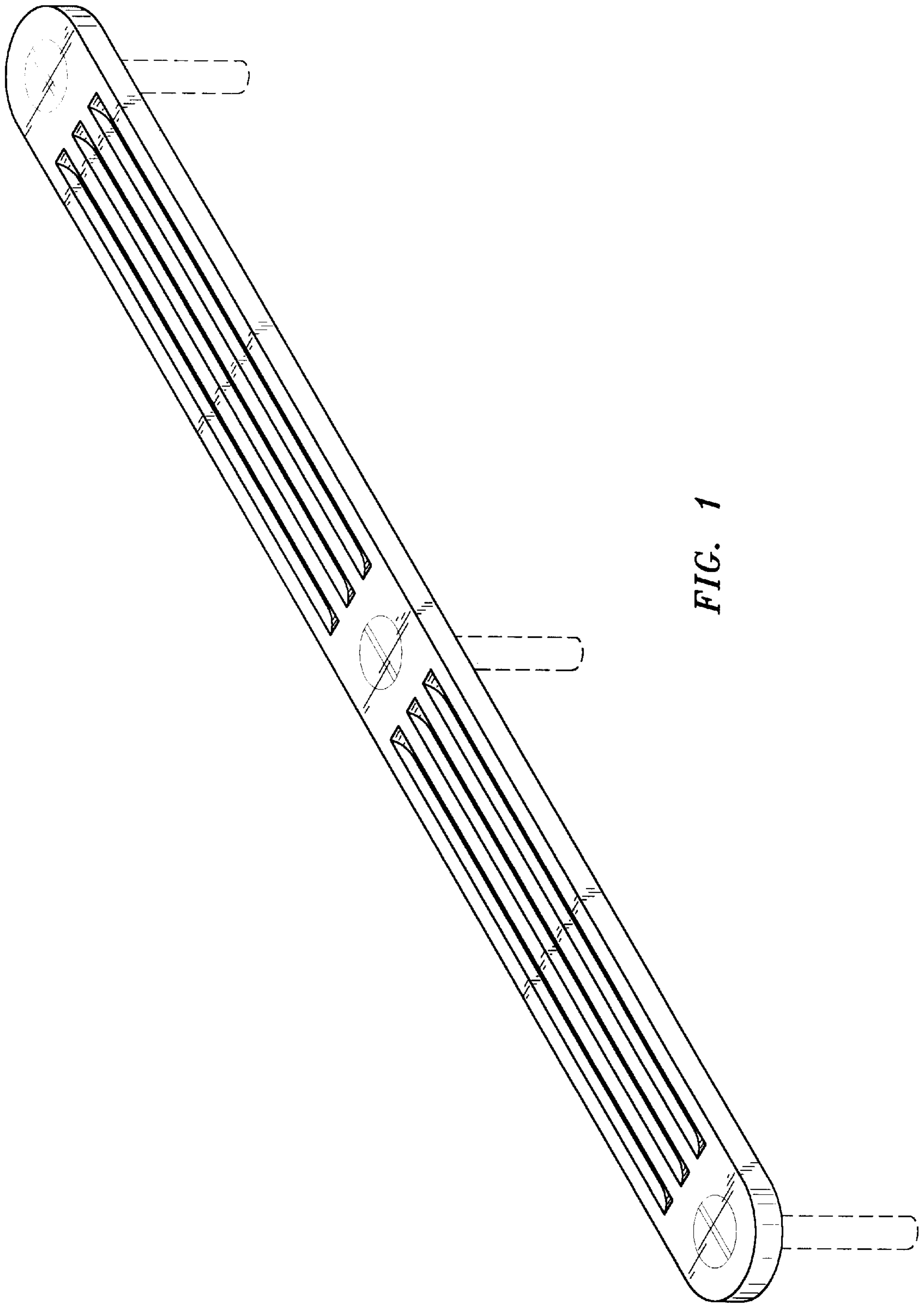


FIG. 1

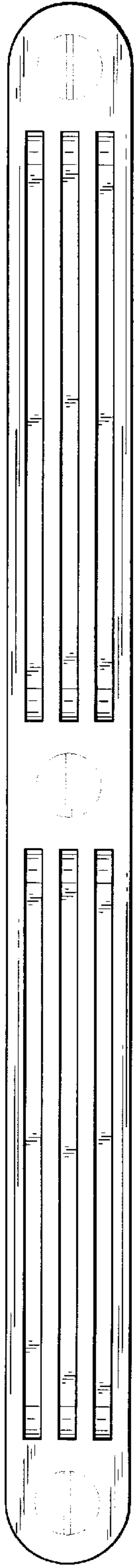


FIG. 2

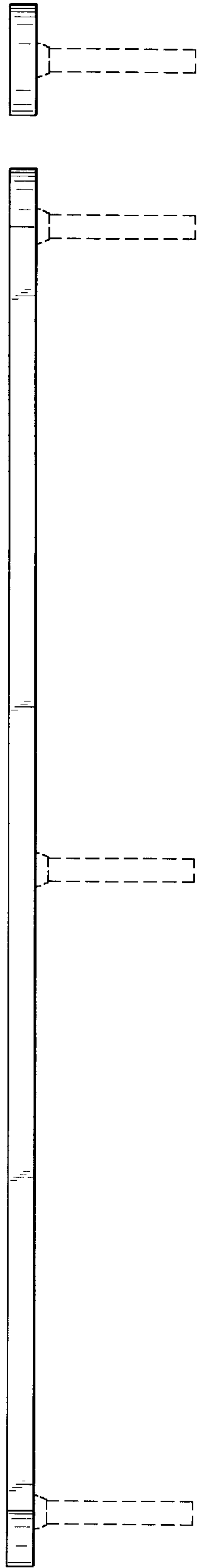


FIG. 3

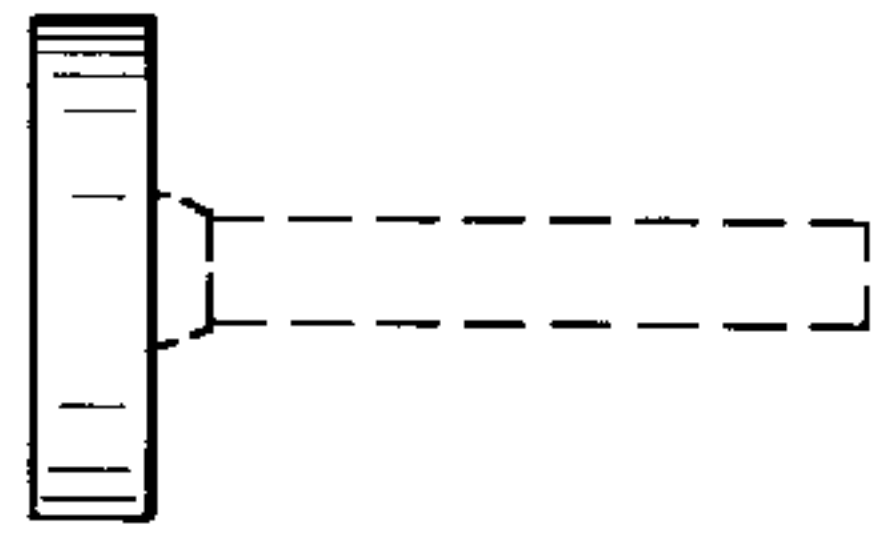


FIG. 4

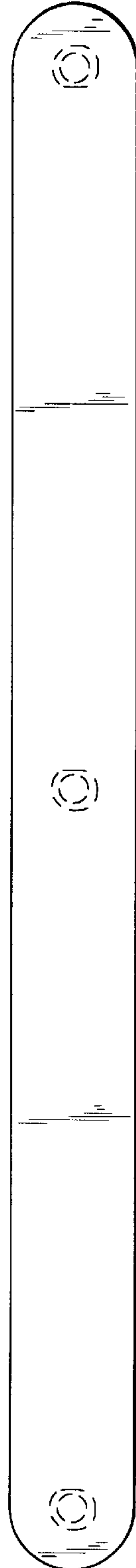


FIG. 5