



US00D425480S

United States Patent [19]
Jokinen

[11] **Patent Number: Des. 425,480**

[45] **Date of Patent: ** May 23, 2000**

[54] **TRAVEL CHARGER**

[75] Inventor: **Tapani Jokinen**, Turku, Finland

[73] Assignee: **Nokia Mobile Phones Limited**, Espoo, Finland

[**] Term: **14 Years**

[21] Appl. No.: **29/108,582**

[22] Filed: **Jul. 28, 1999**

[30] **Foreign Application Priority Data**

Jan. 29, 1999 [FI] Finland MI9990212

[51] **LOC (7) Cl.** **13-02**

[52] **U.S. Cl.** **D13/107**

[58] **Field of Search** D13/107, 108,
D13/118, 110; 320/110-115; 336/90, 92,
107; 363/146

[56] **References Cited**

U.S. PATENT DOCUMENTS

D. 231,540 4/1974 Muller et al. D13/110
D. 338,188 8/1993 Lee et al. D13/110

D. 347,617 6/1994 Tattari D13/107
D. 394,641 5/1998 Seragnoli D13/108
D. 406,259 3/1999 Lindahl D13/110
5,744,934 4/1998 Wu 320/111
5,940,282 8/1999 Oglesbee 363/146 X

Primary Examiner—Joel Sincavage
Attorney, Agent, or Firm—Brian T. Rivers

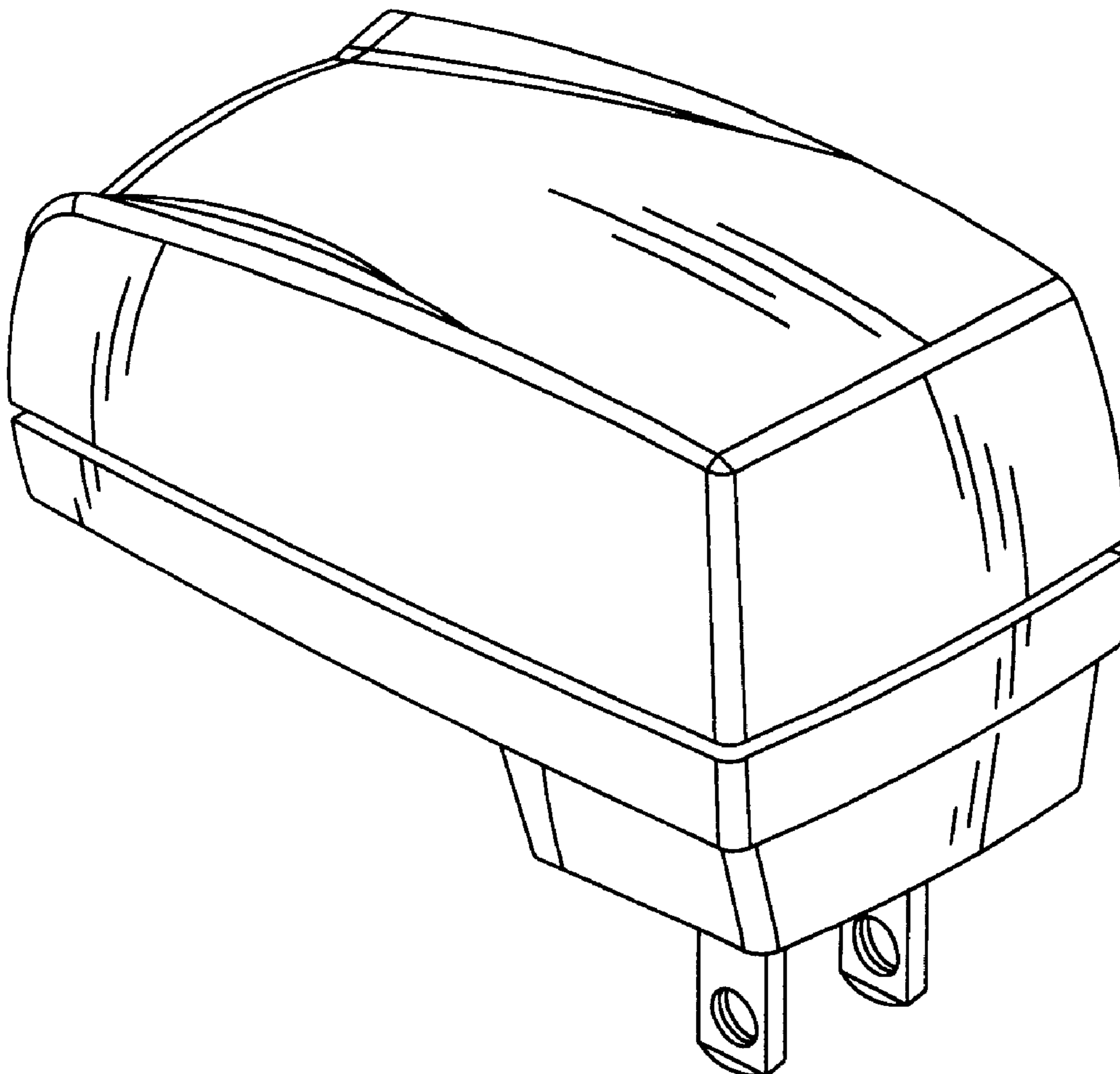
[57] **CLAIM**

I claim the ornamental design for a travel charger, as shown and described.

DESCRIPTION

FIG. 1 is a front, right side and bottom perspective view of the travel charger;
FIG. 2 is a front, left side and top perspective view thereof;
FIG. 3 is a rear, left side and bottom perspective view thereof;
FIG. 4 is a left side elevational view thereof;
FIG. 5 is a bottom plan view thereof;
FIG. 6 is a rear elevational view thereof;
FIG. 7 is a right side elevational view thereof;
FIG. 8 is a front elevational view thereof; and,
FIG. 9 is a top plan view.

1 Claim, 4 Drawing Sheets



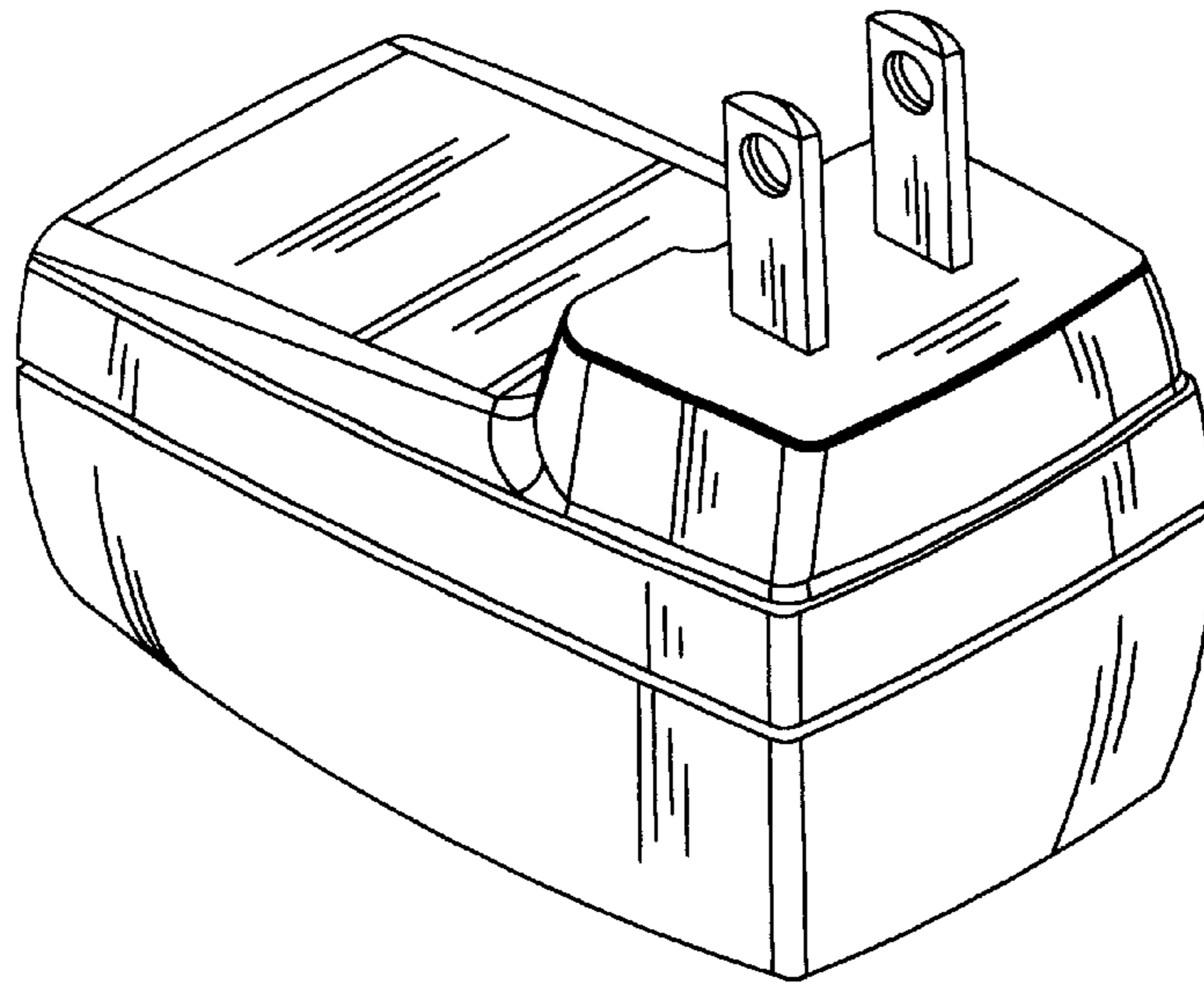


FIG. 1

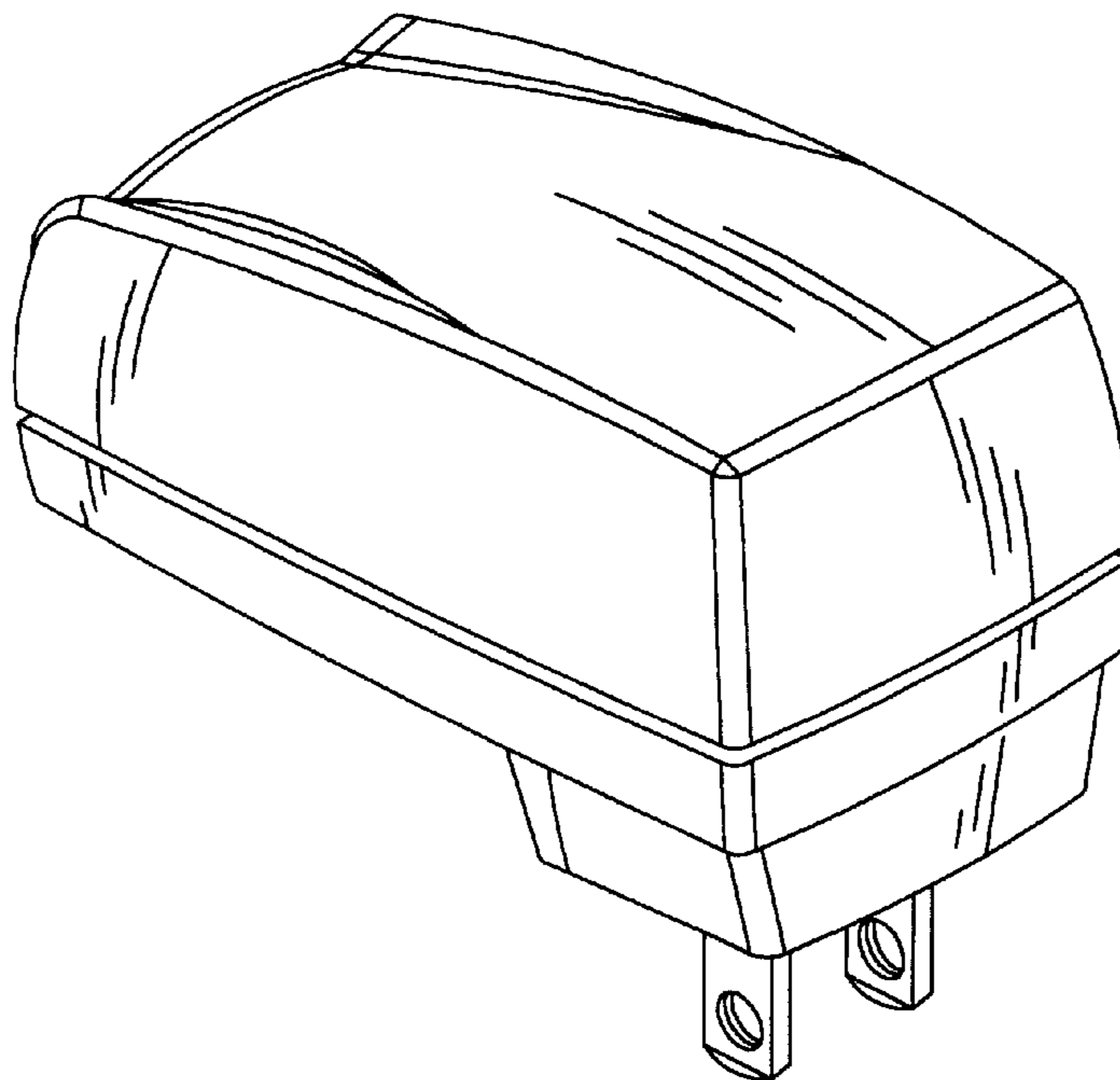


FIG. 2

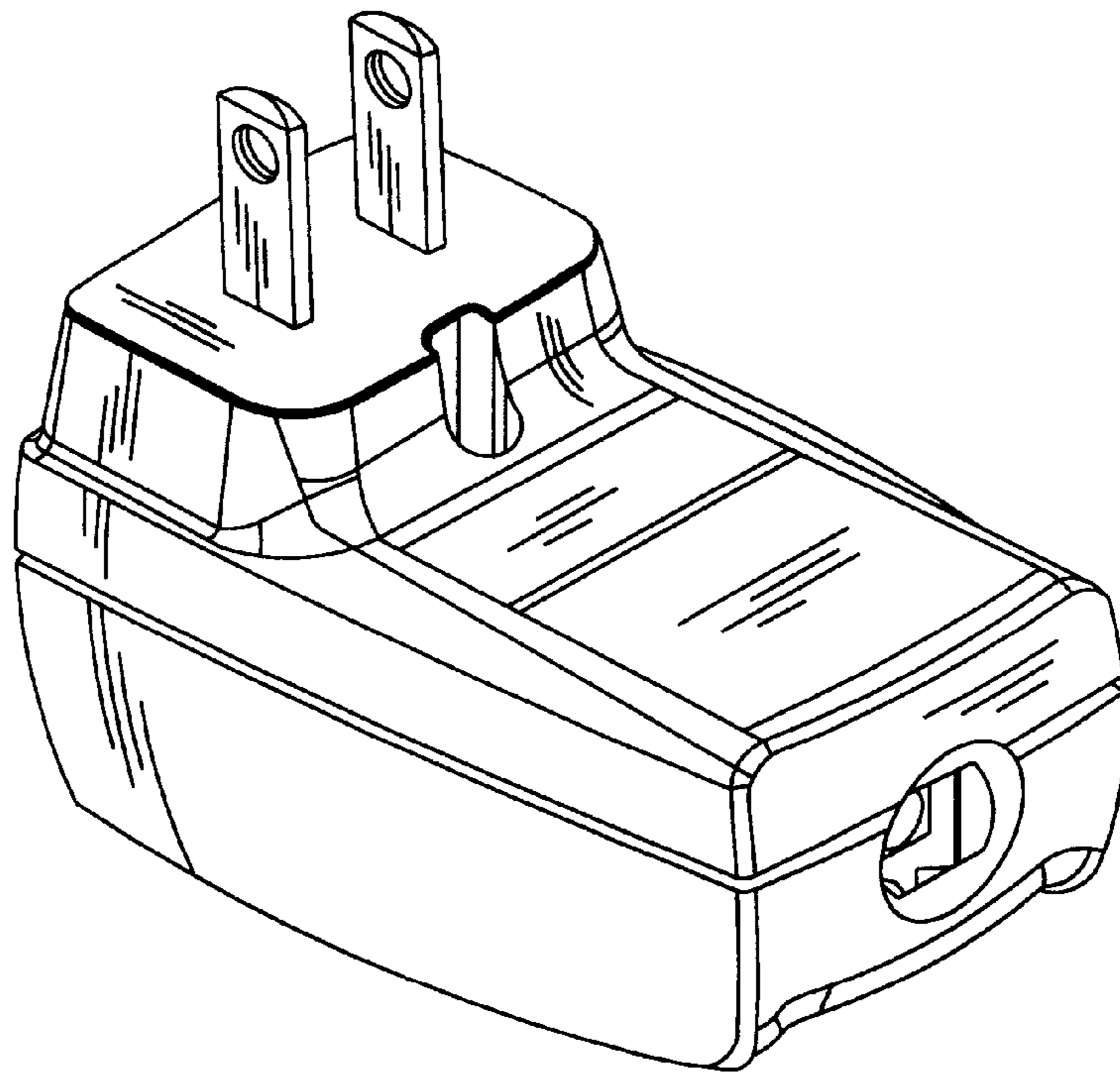


FIG. 3

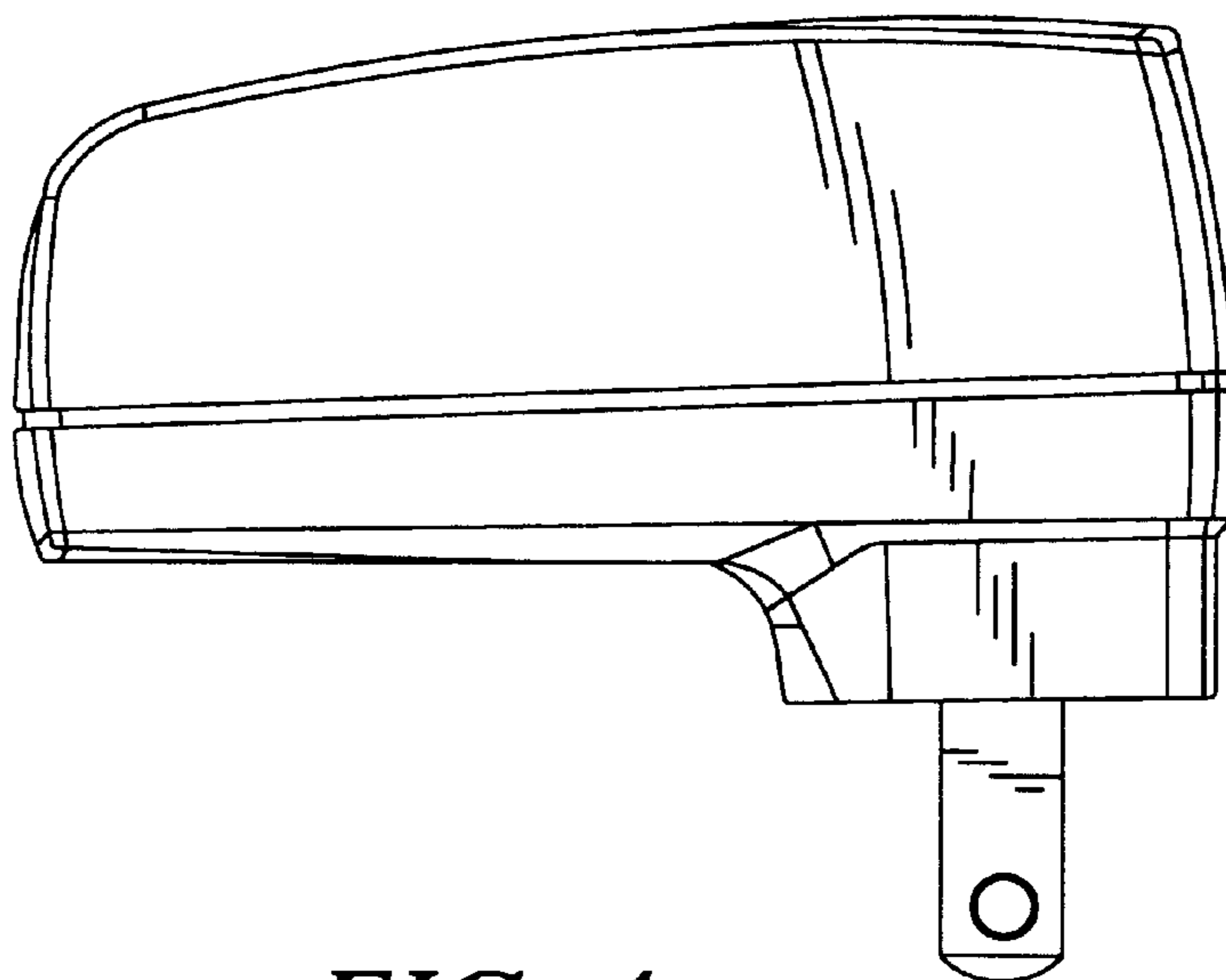


FIG. 4

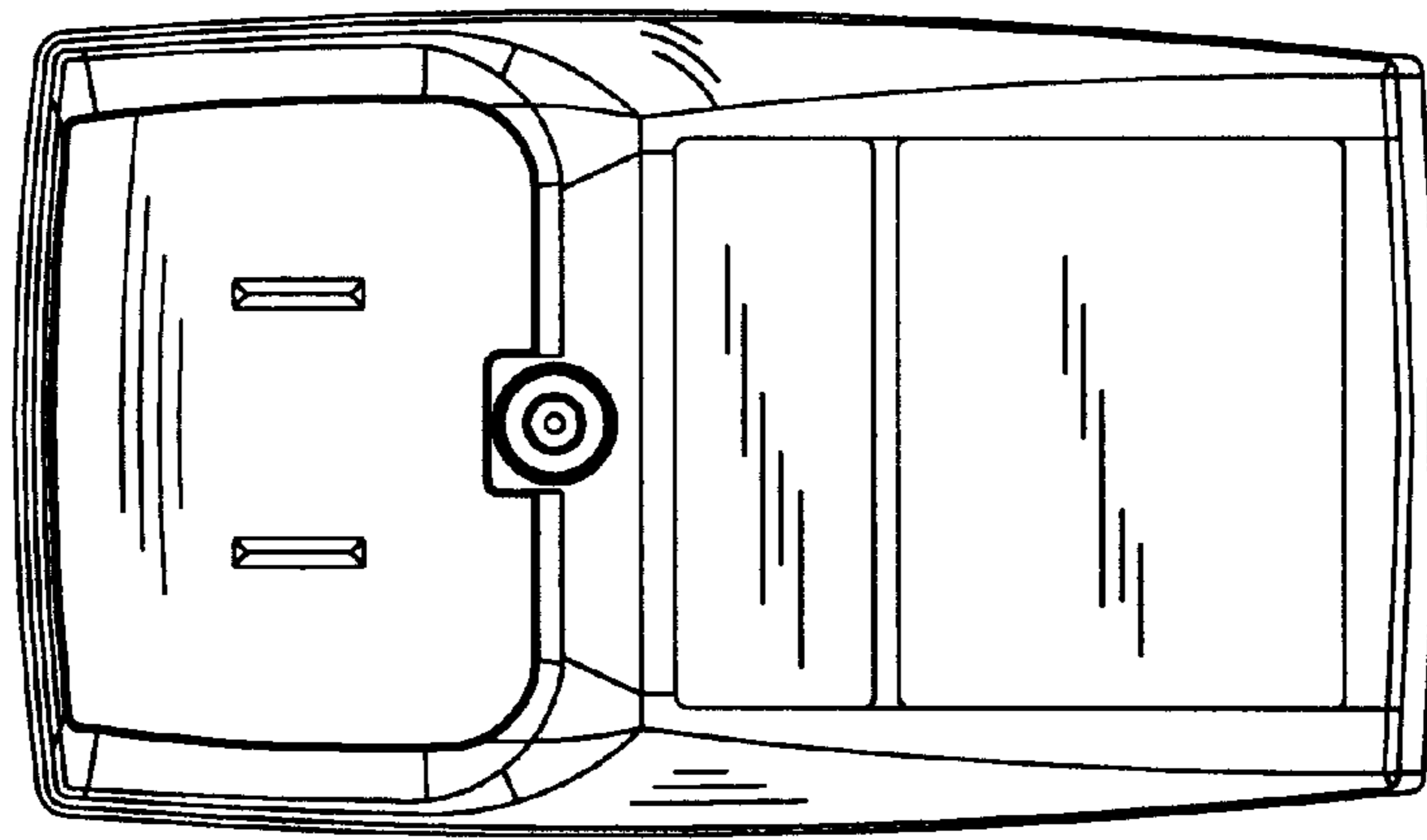


FIG. 5

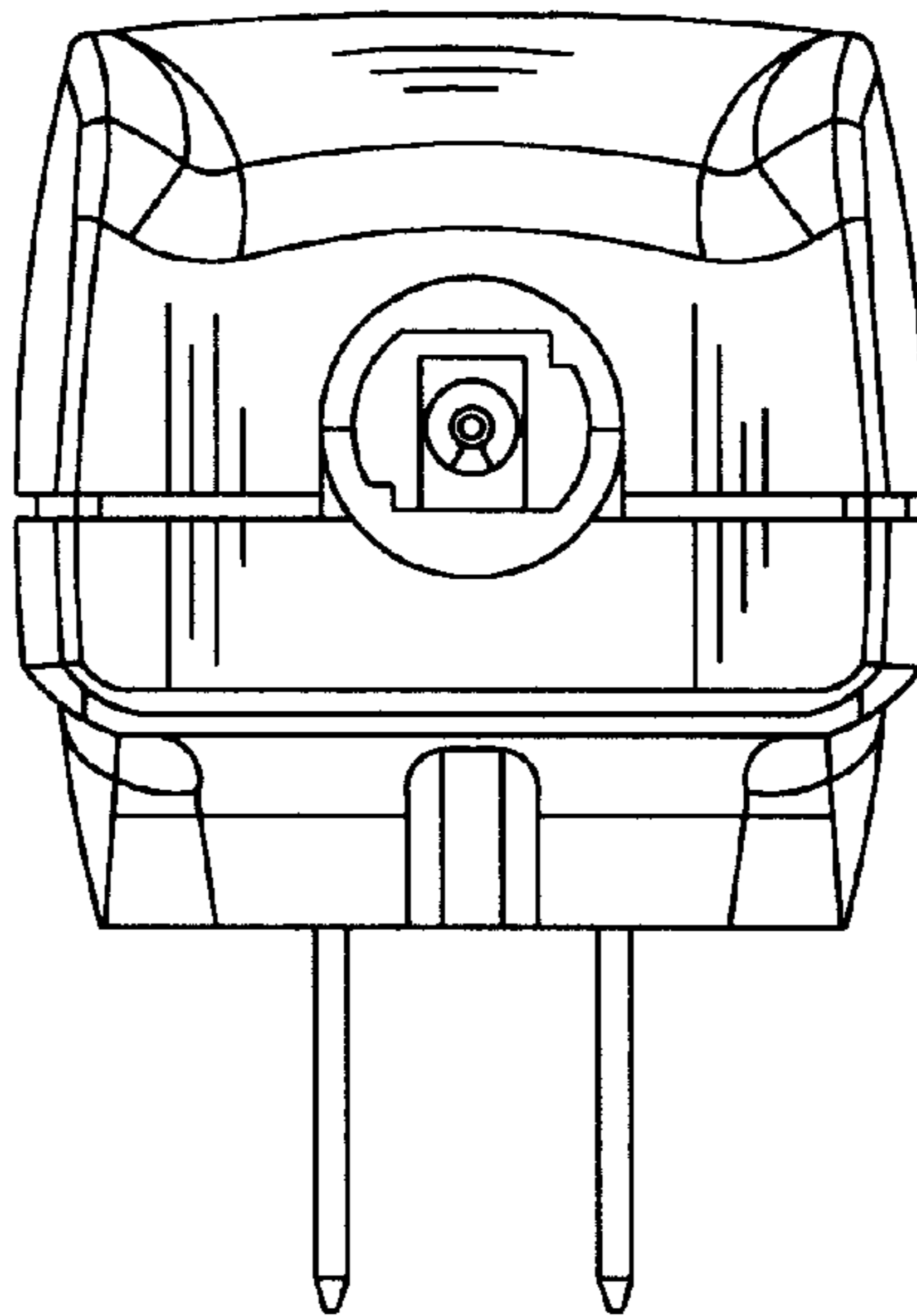


FIG. 6

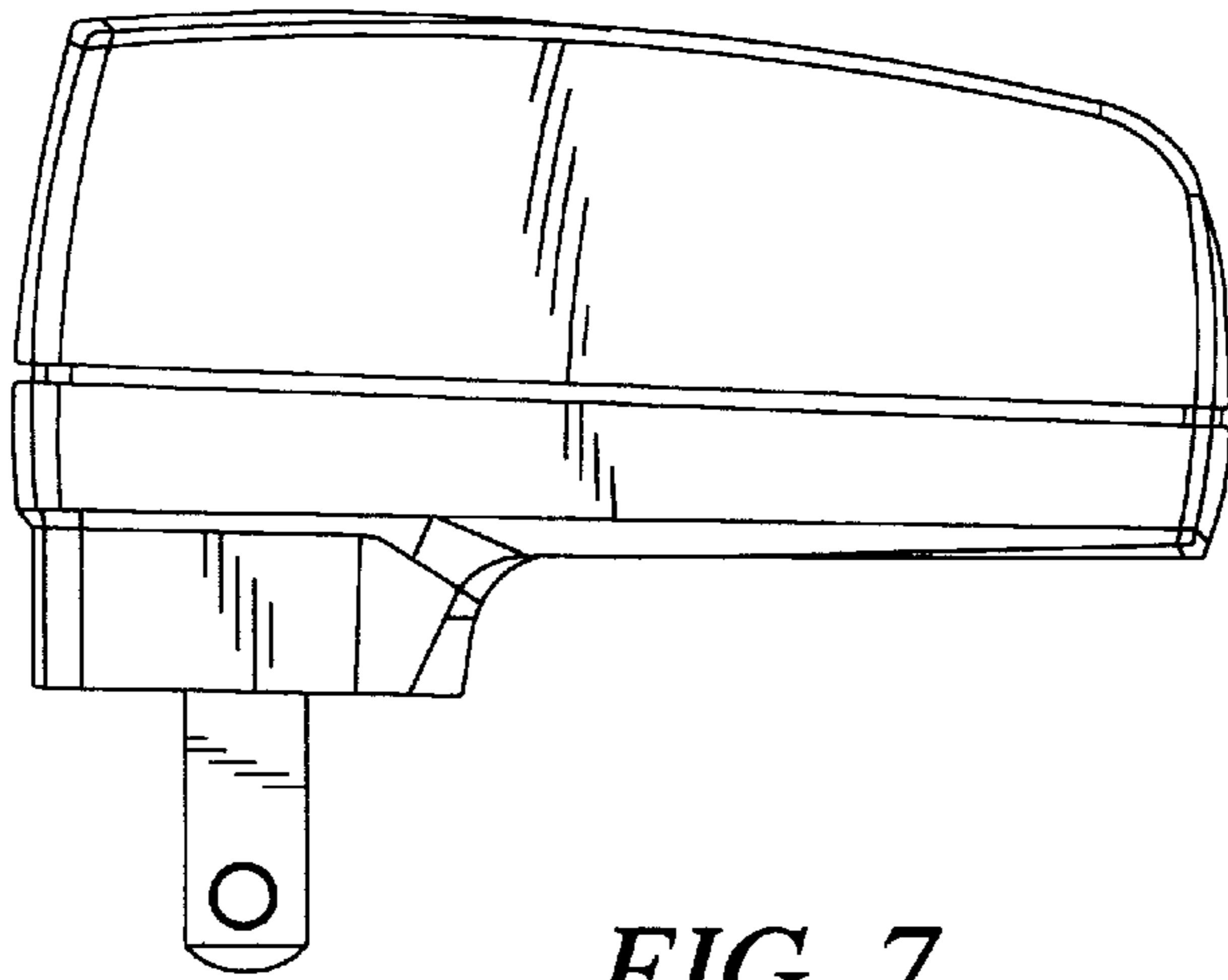


FIG. 7

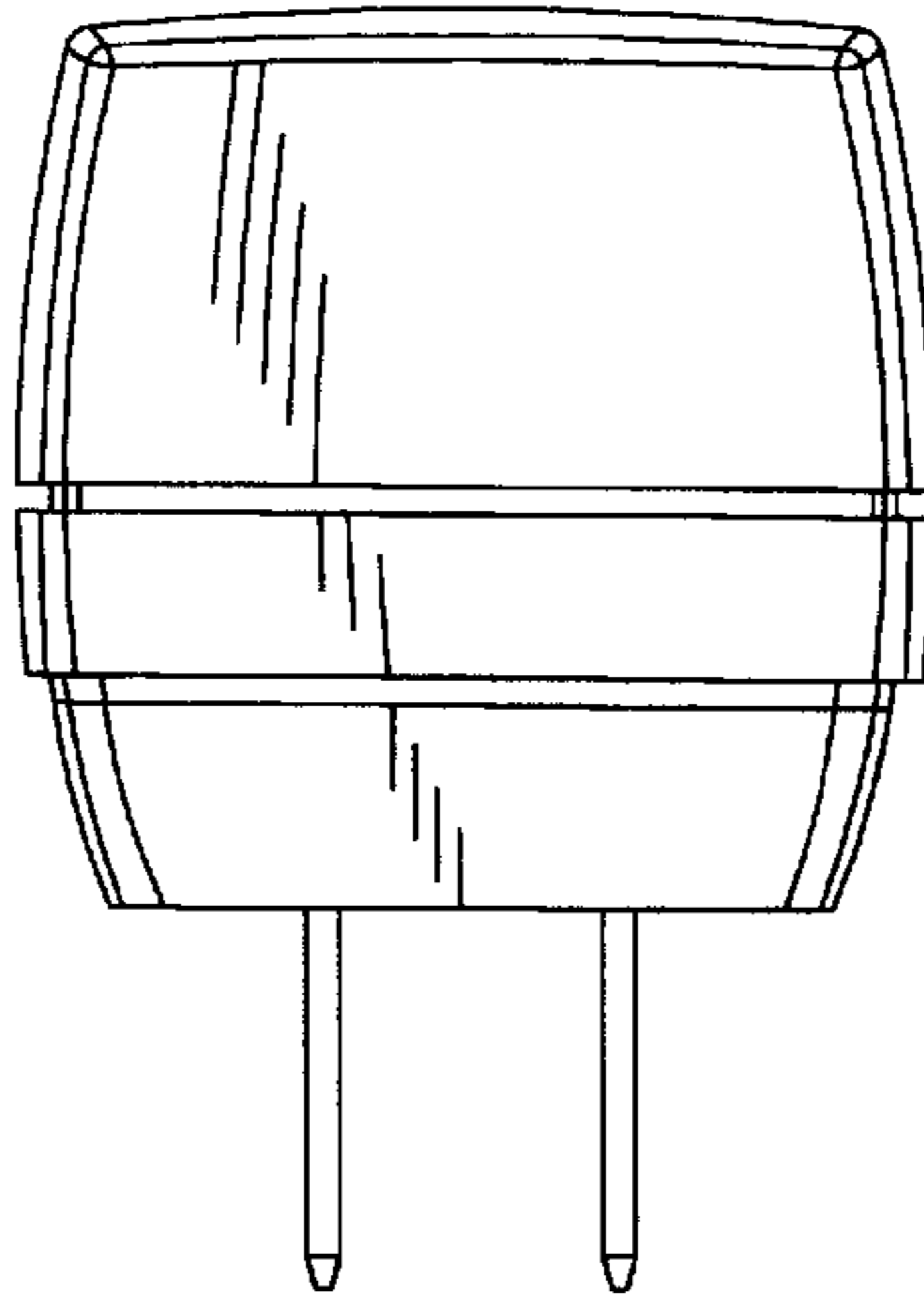


FIG. 8

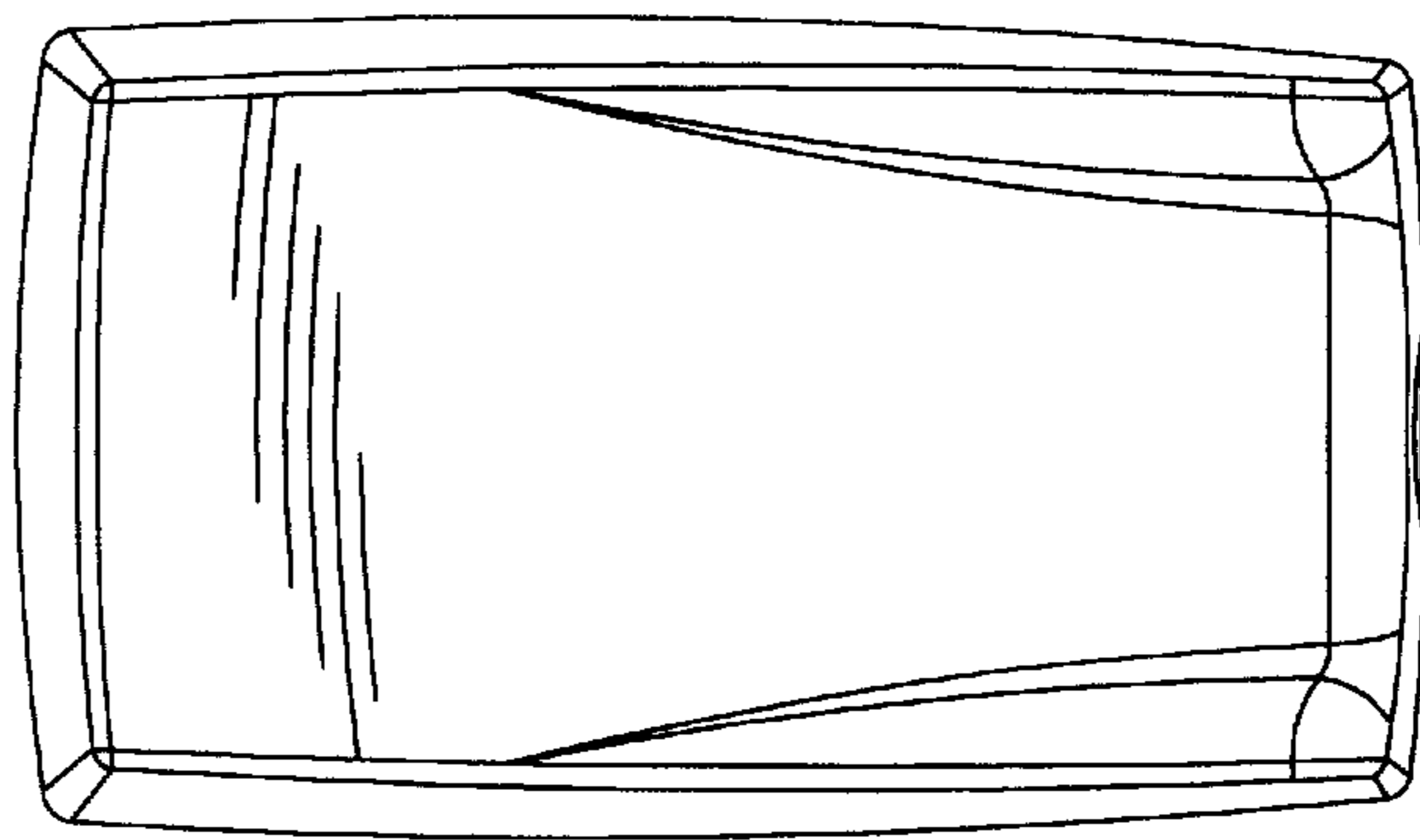


FIG. 9