



US00D425479S

**United States Patent** [19]  
**Melnicoff**

[11] **Patent Number: Des. 425,479**

[45] **Date of Patent: \*\* May 23, 2000**

[54] **BATTERY PACK**

[75] Inventor: **Jared B. Melnicoff**, Chicago, Ill.

[73] Assignee: **Enity Technology Limited**, Chaiwan,  
The Hong Kong Special Administrative  
Region of the People's Republic of  
China

[\*\*] Term: **14 Years**

[21] Appl. No.: **29/110,799**

[22] Filed: **Sep. 15, 1999**

[51] **LOC (7) Cl.** ..... **13-02**

[52] **U.S. Cl.** ..... **D13/103**

[58] **Field of Search** ..... D13/103, 118;  
429/96-100, 159, 163, 176

[56] **References Cited**

**U.S. PATENT DOCUMENTS**

D. 306,851	3/1990	Weimann	.....	D13/103
D. 362,424	9/1995	Sumita et al.	.....	D13/103
D. 390,187	2/1998	Urvoy	.....	D13/103
D. 400,494	11/1998	Blase	.....	D13/103

*Primary Examiner*—Joel Sincavage  
*Attorney, Agent, or Firm*—Liniak, Berenato, Longacre &  
White

[57] **CLAIM**

The ornamental design for a battery pack, as shown and described.

**DESCRIPTION**

FIG. 1 is a front view of the battery pack according to the present invention.  
FIG. 2 is a rear view of the battery pack of FIG. 1 according to the present invention.  
FIG. 3 is a top view of the battery pack of FIG. 1 according to the present invention.  
FIG. 4 is a bottom view of the battery pack of FIG. 1 according to the present invention.  
FIG. 5 is a left side view of the battery pack of FIG. 1 according to the present invention.  
FIG. 6 is a right side view of the battery pack of FIG. 1 according to the present invention; and,  
FIG. 7 is a front and lower left perspective view of the battery pack of FIG. 1 according to the present invention.

**1 Claim, 2 Drawing Sheets**

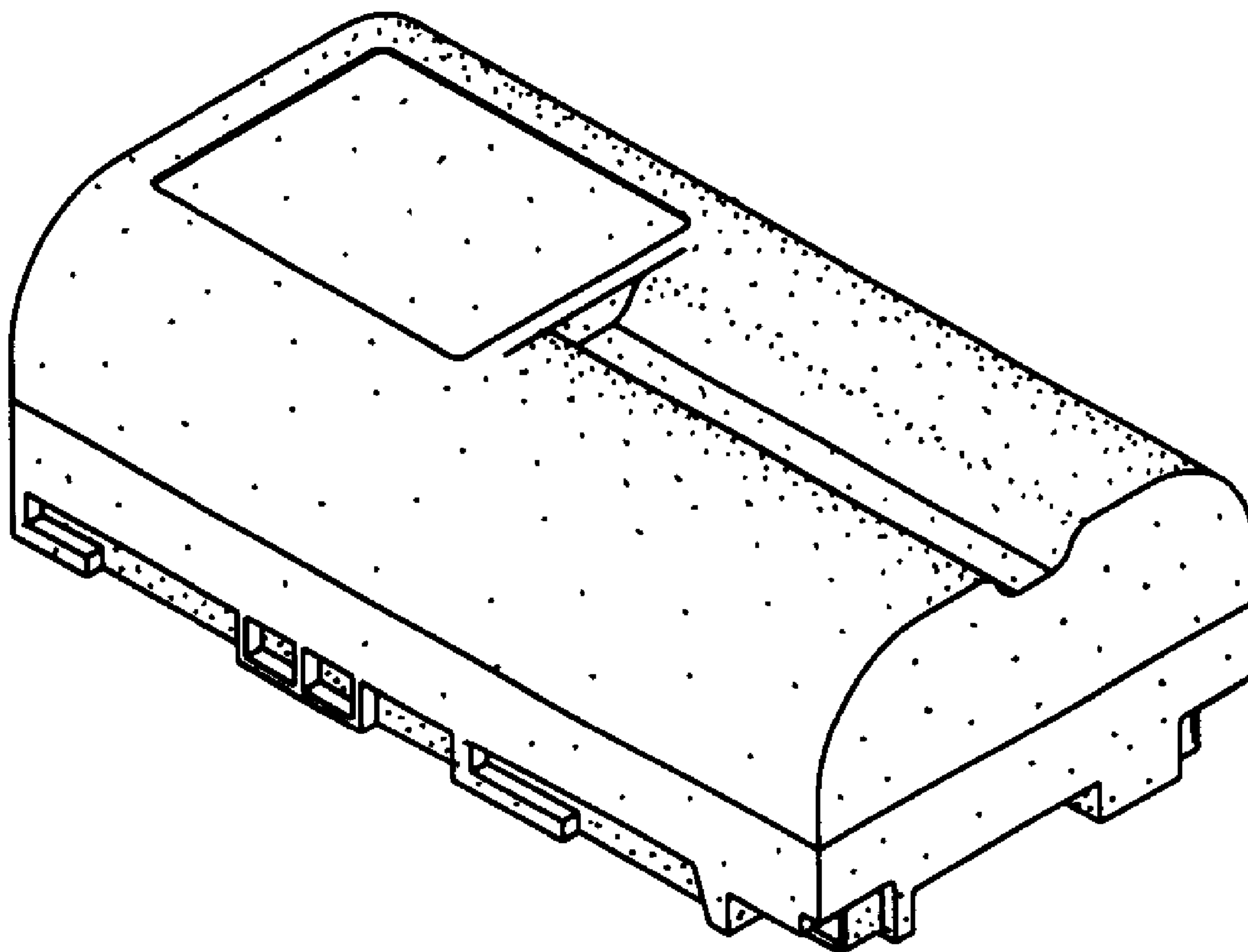


Fig. 1

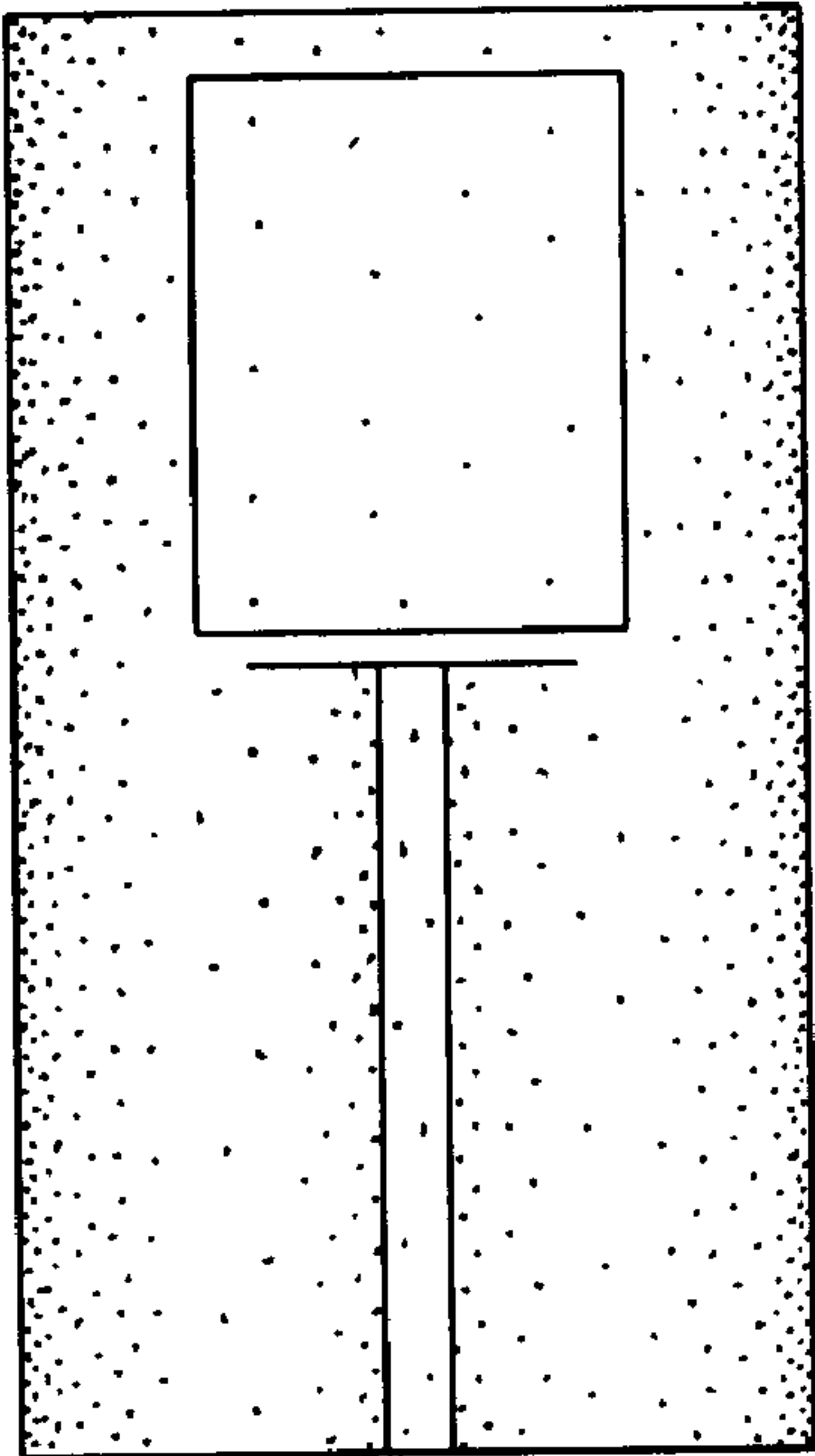


Fig. 2

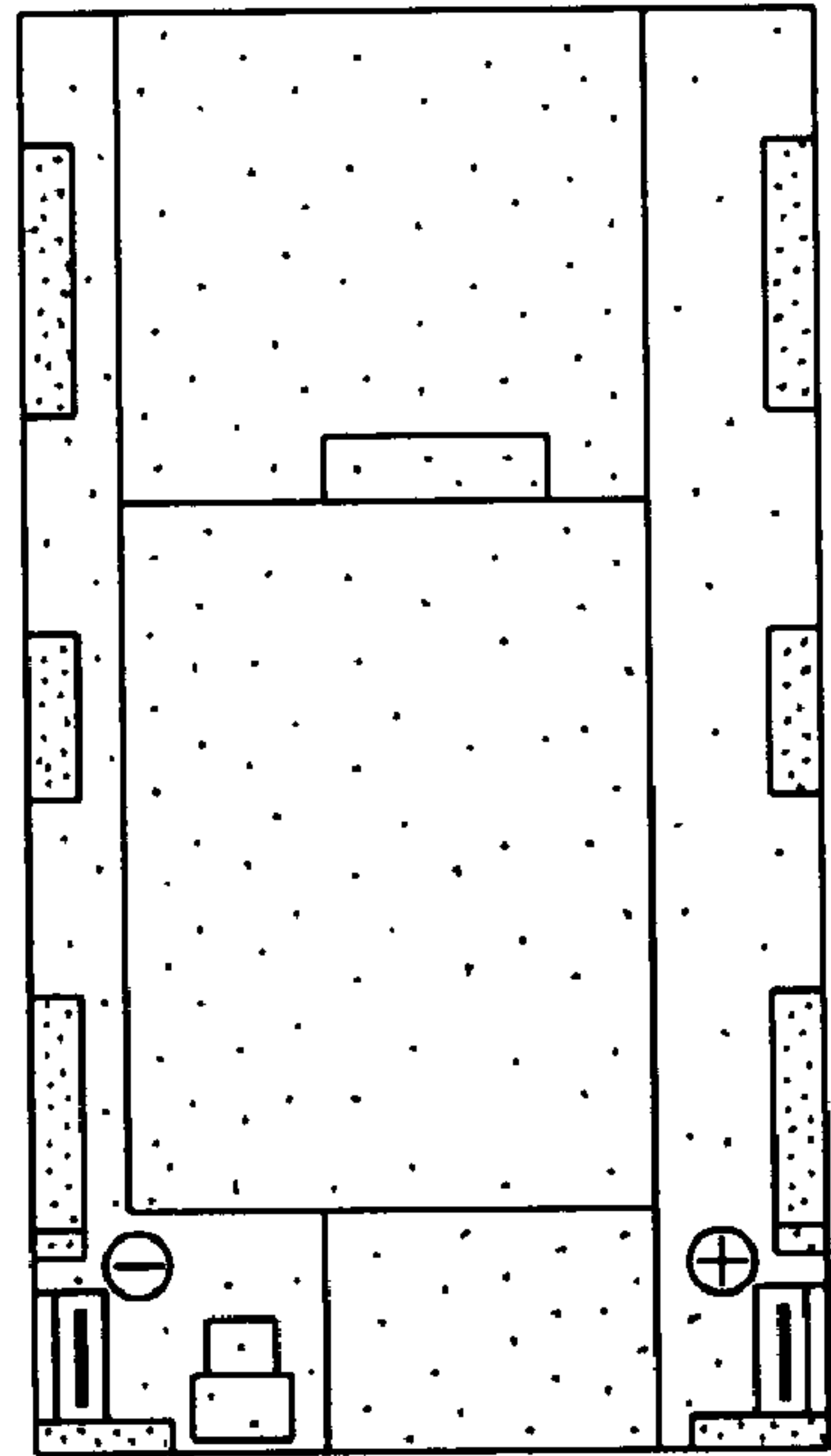


Fig. 3

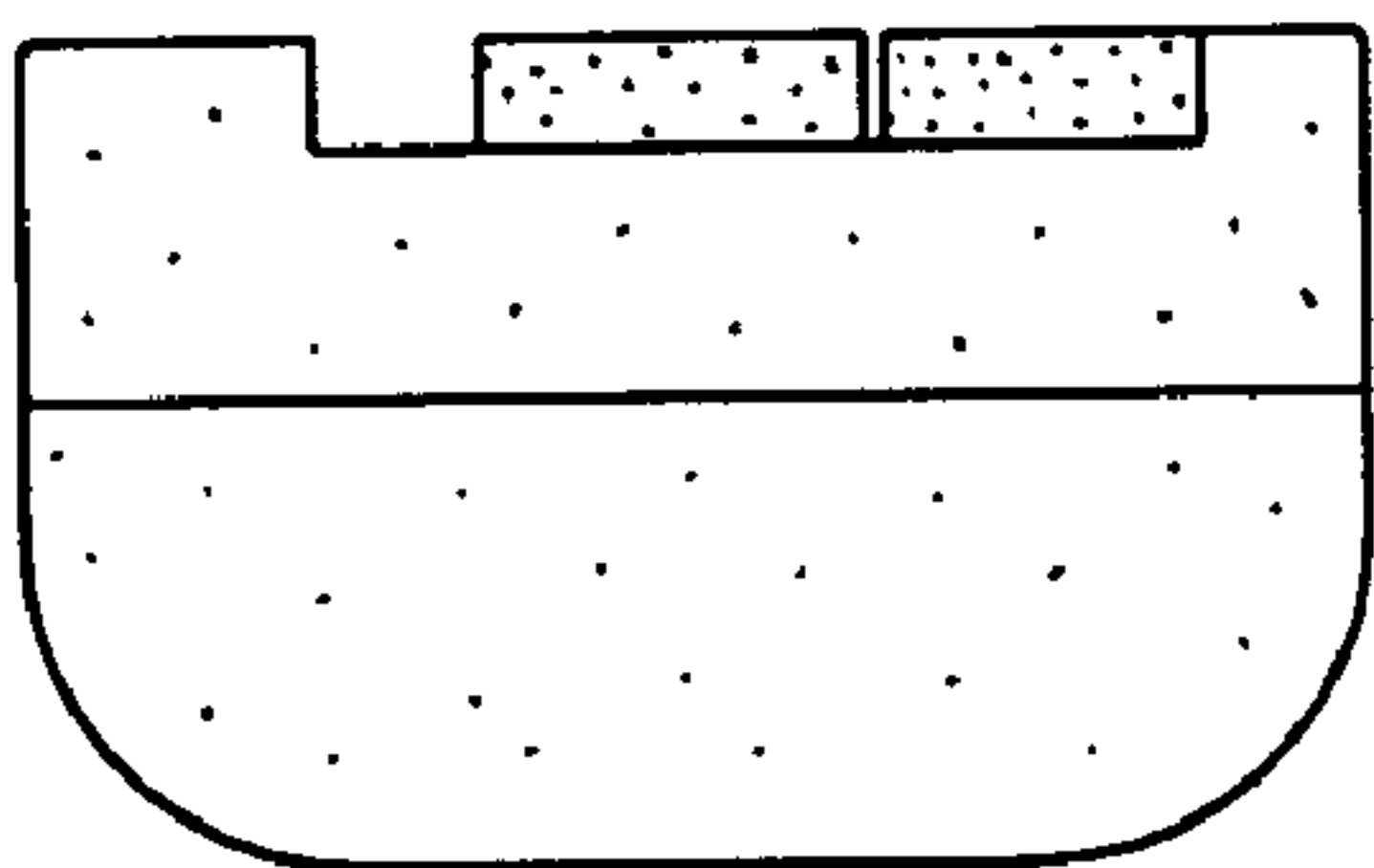


Fig. 4

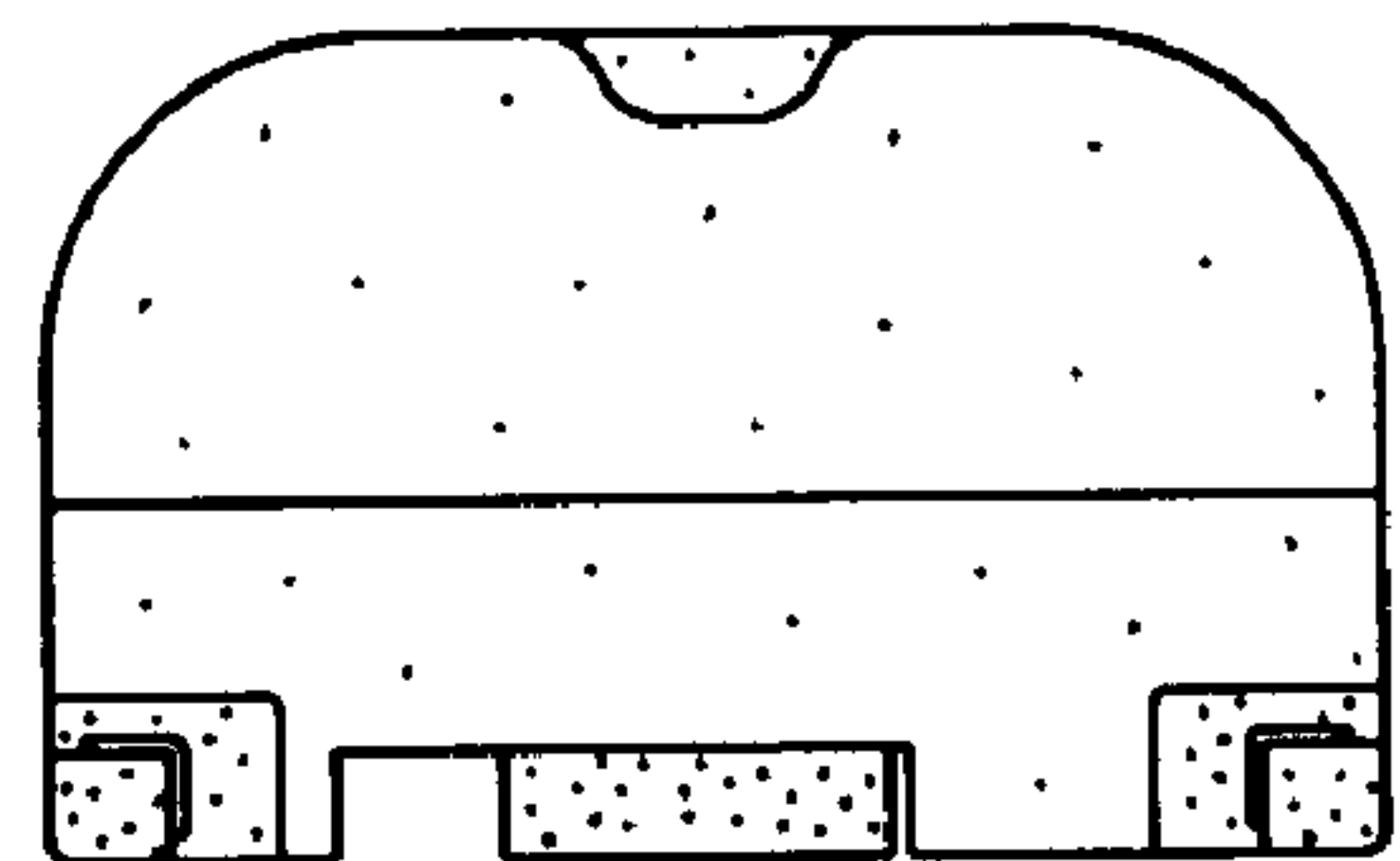


Fig. 5

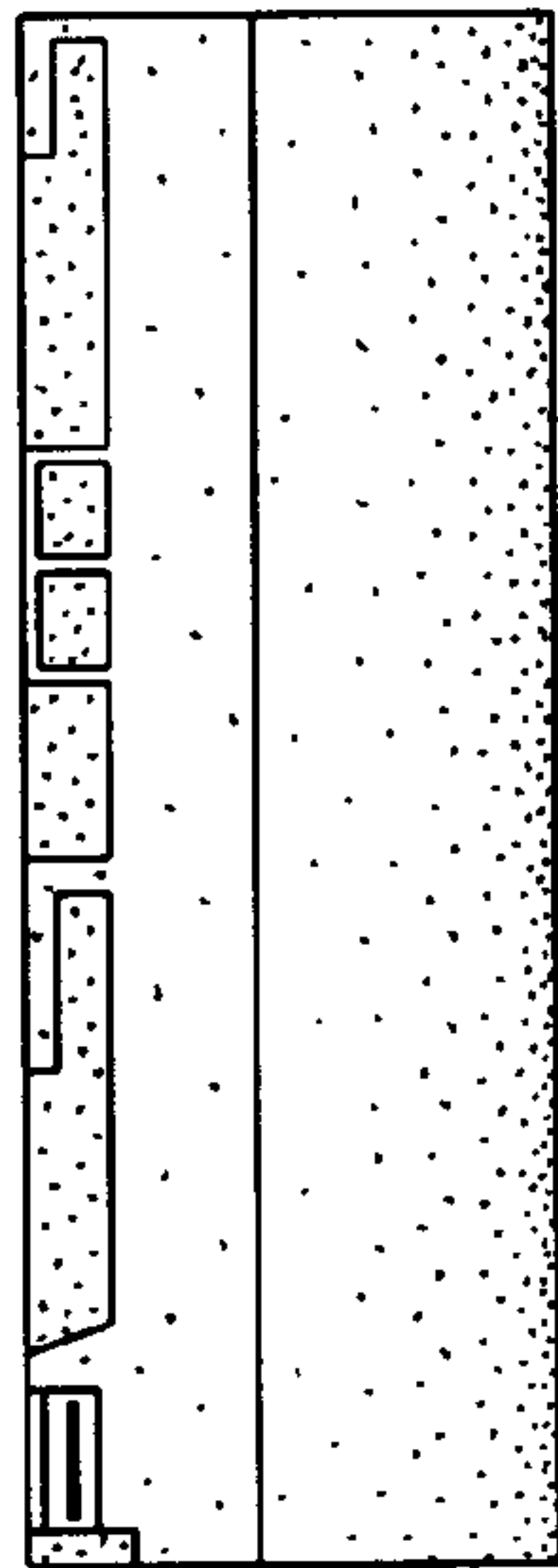


Fig. 6



Fig. 7

