



US00D425476S

**United States Patent** [19]  
**Campbell et al.**

[11] **Patent Number: Des. 425,476**

[45] **Date of Patent: \*\* May 23, 2000**

[54] **HIGH CAPACITY BATTERY**

[75] Inventors: **Mike Campbell**, Duluth; **Robert Vacheron**, Smyrna; **Venus Desai**, Lawrenceville, all of Ga.

[73] Assignee: **Motorola, Inc.**, Schaumburg, Ill.

[\*\*] Term: **14 Years**

[21] Appl. No.: **29/103,809**

[22] Filed: **Apr. 22, 1999**

[51] **LOC (7) Cl.** ..... **13-02**

[52] **U.S. Cl.** ..... **D13/103**

[58] **Field of Search** ..... D13/103, 119;  
429/96-100, 159, 163, 174

[56] **References Cited**

**U.S. PATENT DOCUMENTS**

- D. 236,492 8/1975 Helgesson ..... D13/103
- D. 331,906 12/1992 Mohri ..... D13/103
- D. 400,848 11/1998 Clark et al. .... D13/103

- D. 403,657 1/1999 Nuovo et al. .... D13/103
- D. 405,754 2/1999 Barkley et al. .... D13/103
- D. 411,165 6/1999 Deslyper et al. .... D13/103

*Primary Examiner*—Joel Sincavage  
*Attorney, Agent, or Firm*—Felipe J. Farley; Philip Burrus

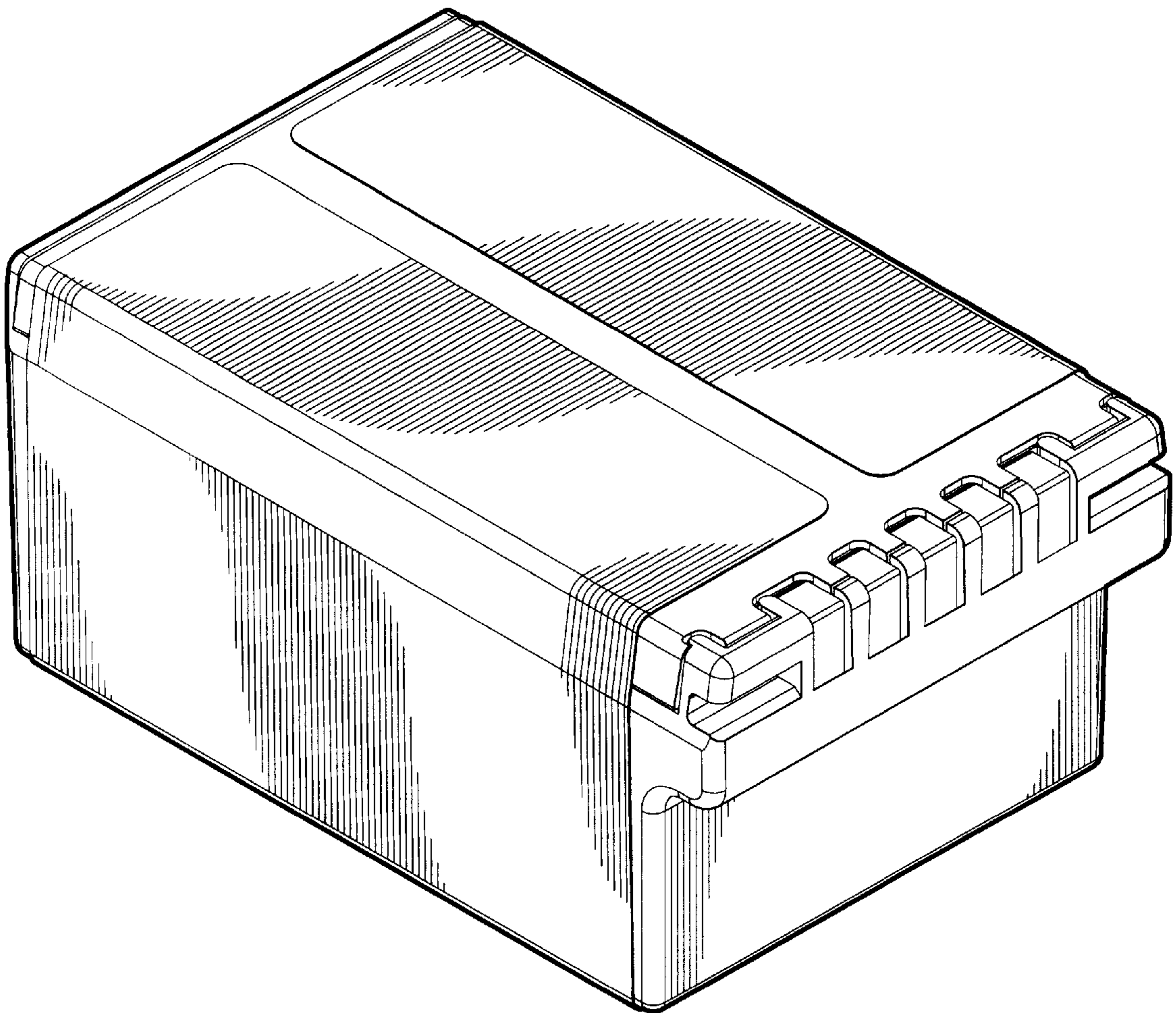
[57] **CLAIM**

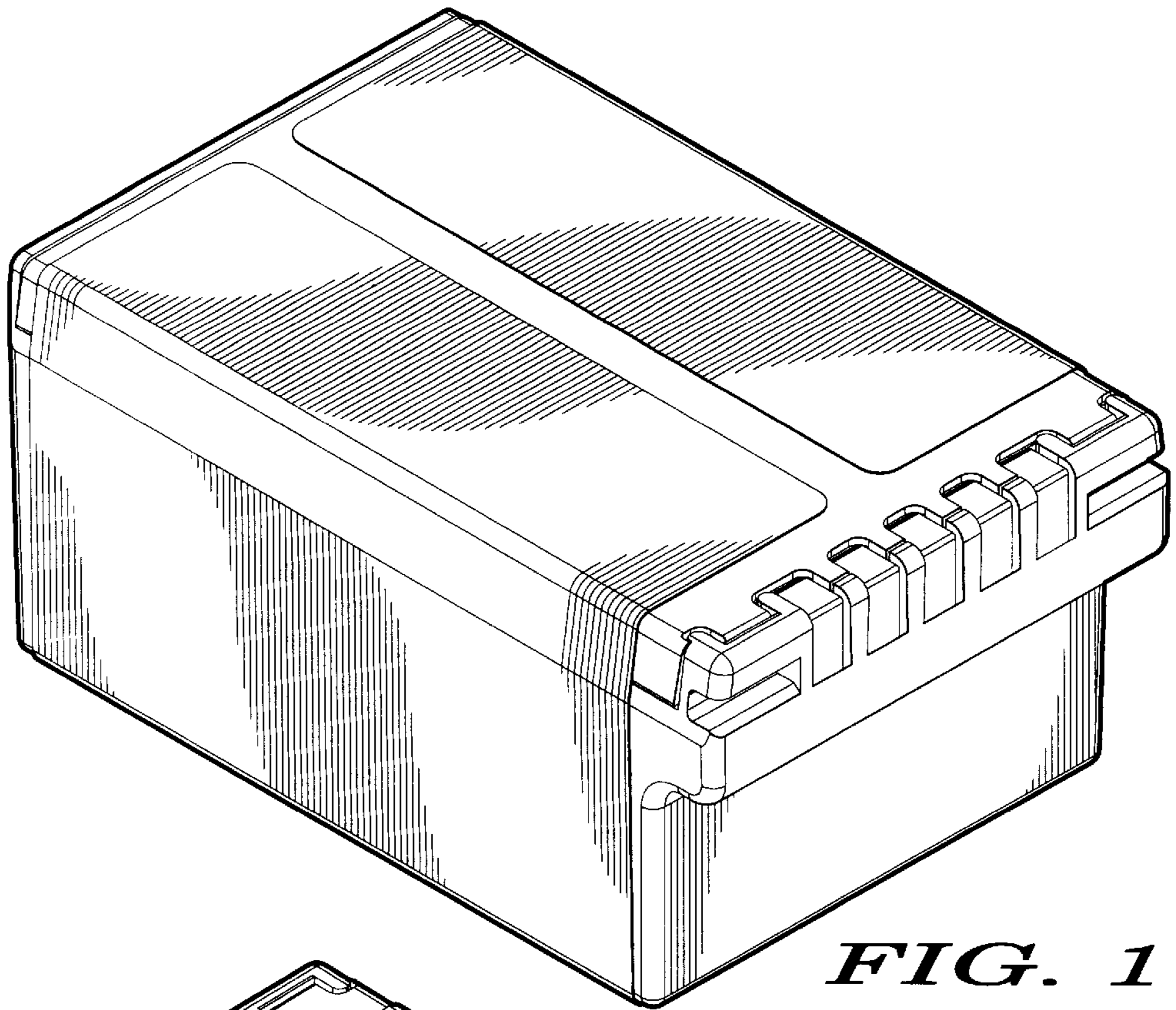
The ornamental design for a high capacity battery, as shown and described.

**DESCRIPTION**

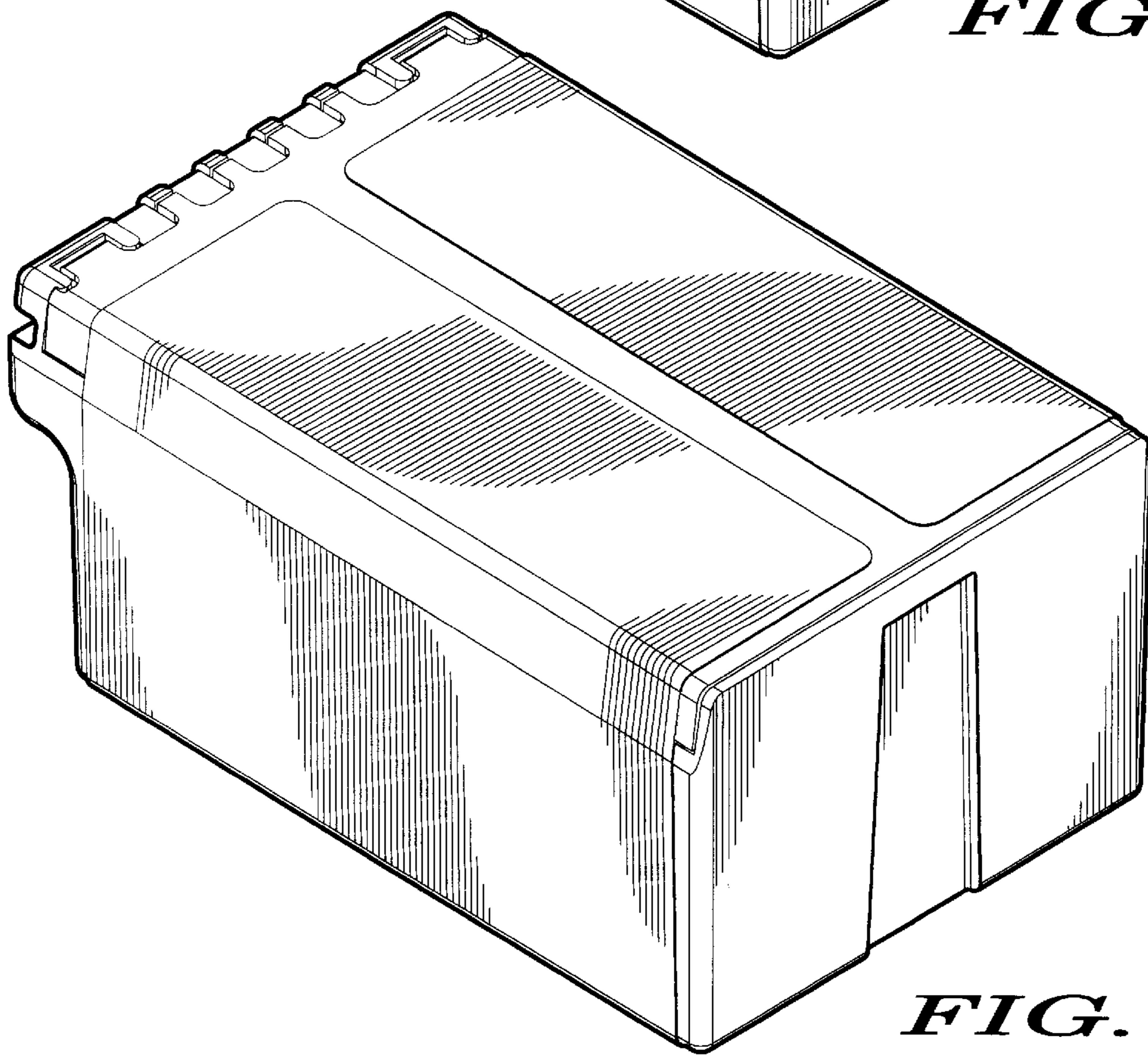
FIG. 1 is a front left isometric view of a high capacity battery showing my/our new design;  
FIG. 2 is a back right isometric view thereof;  
FIG. 3 is a bottom plan view thereof;  
FIG. 4 is a top plan view thereof;  
FIG. 5 is a front elevation view thereof;  
FIG. 6 is a back elevation view thereof;  
FIG. 7 is a right side elevation view thereof; and,  
FIG. 8 is a left side elevation view thereof.

**1 Claim, 4 Drawing Sheets**

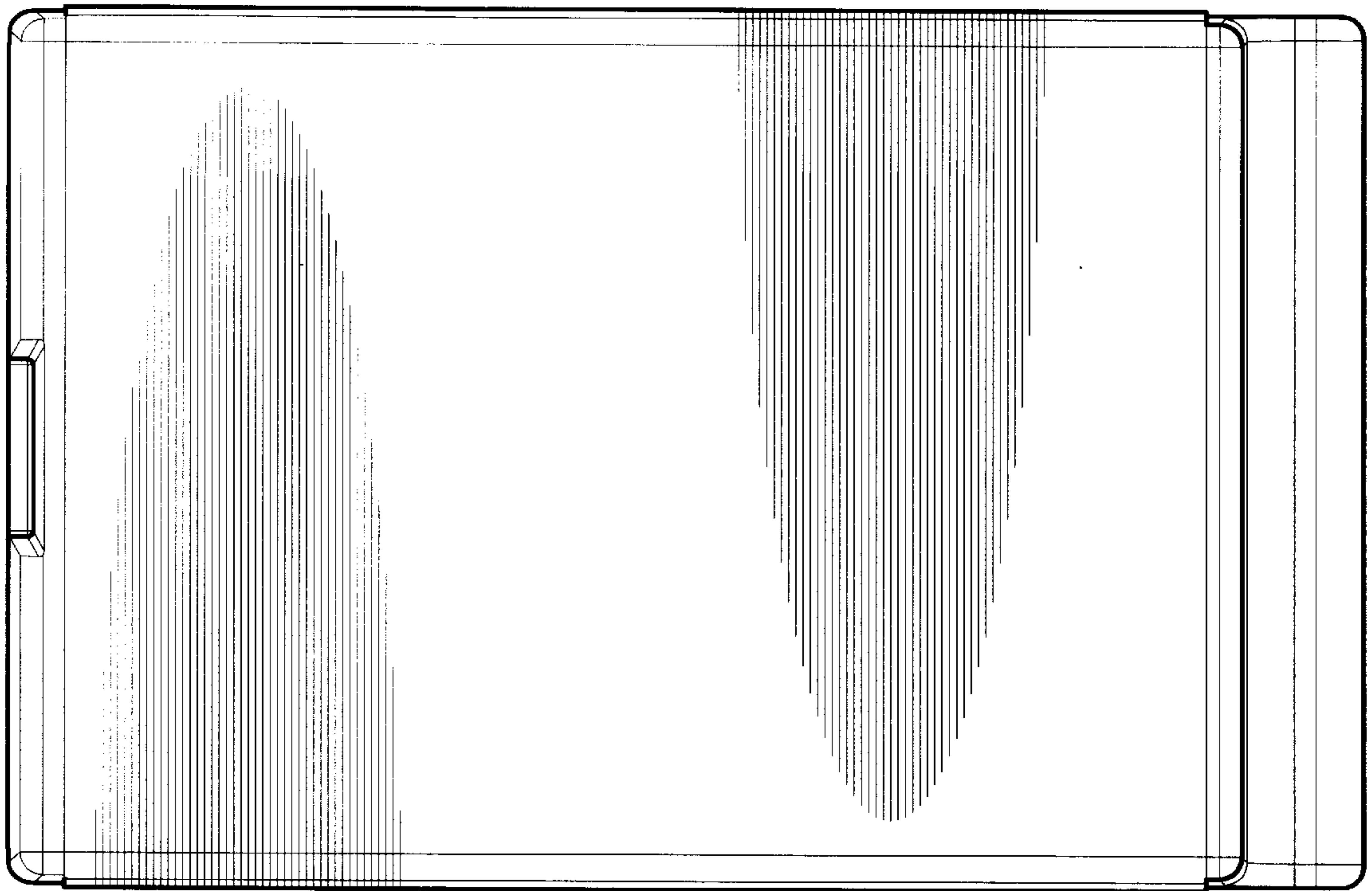




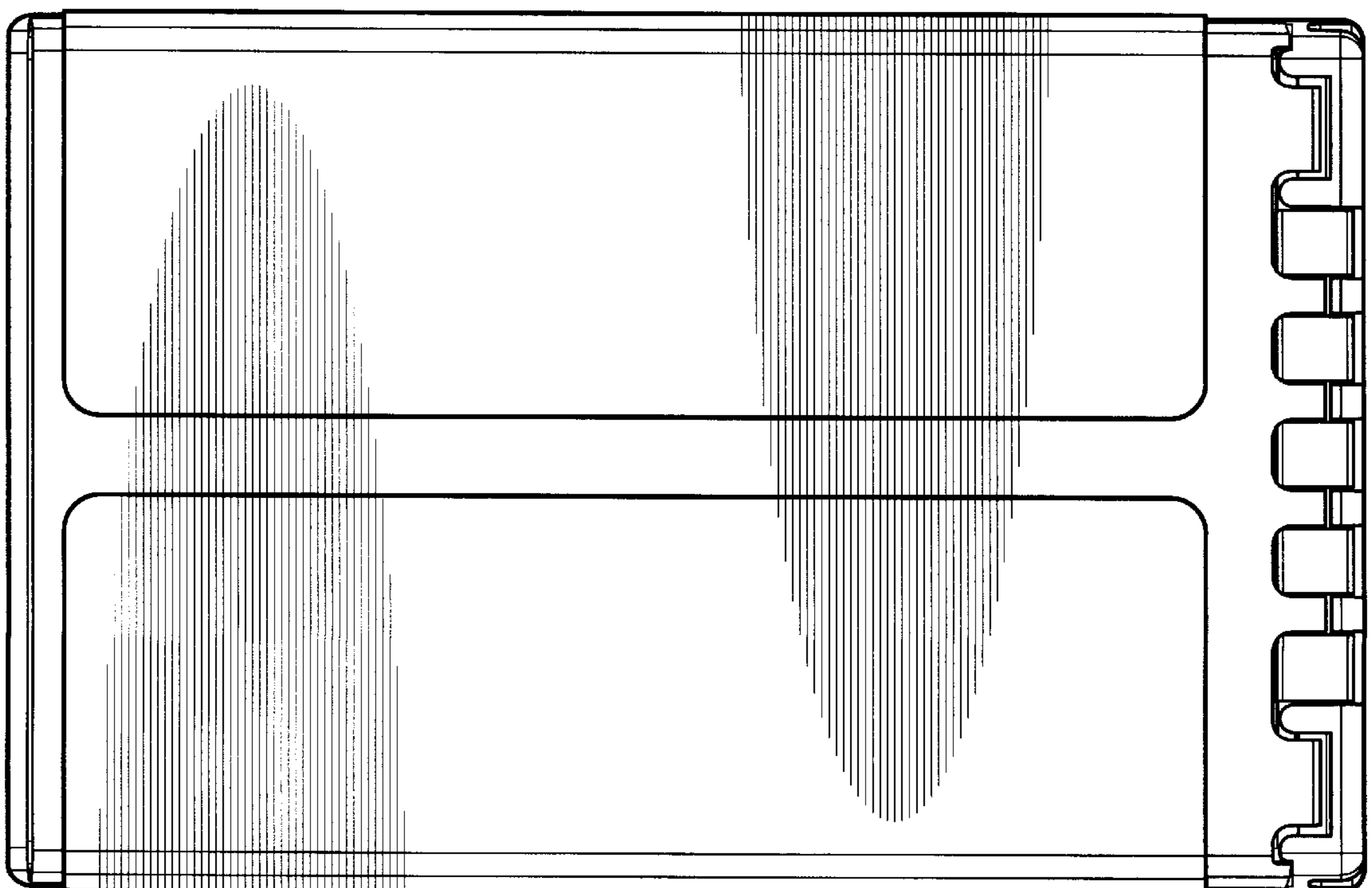
*FIG. 1*



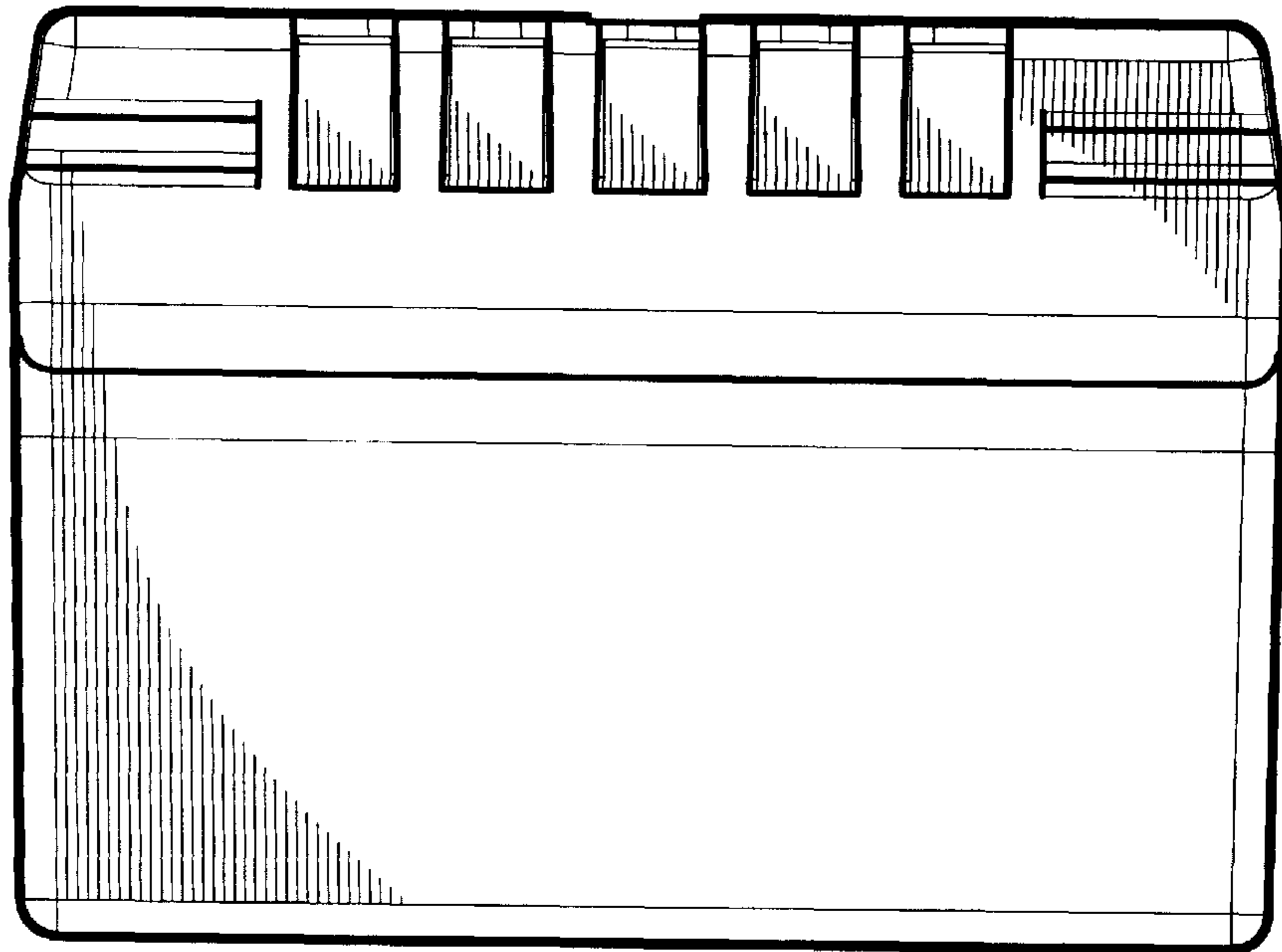
*FIG. 2*



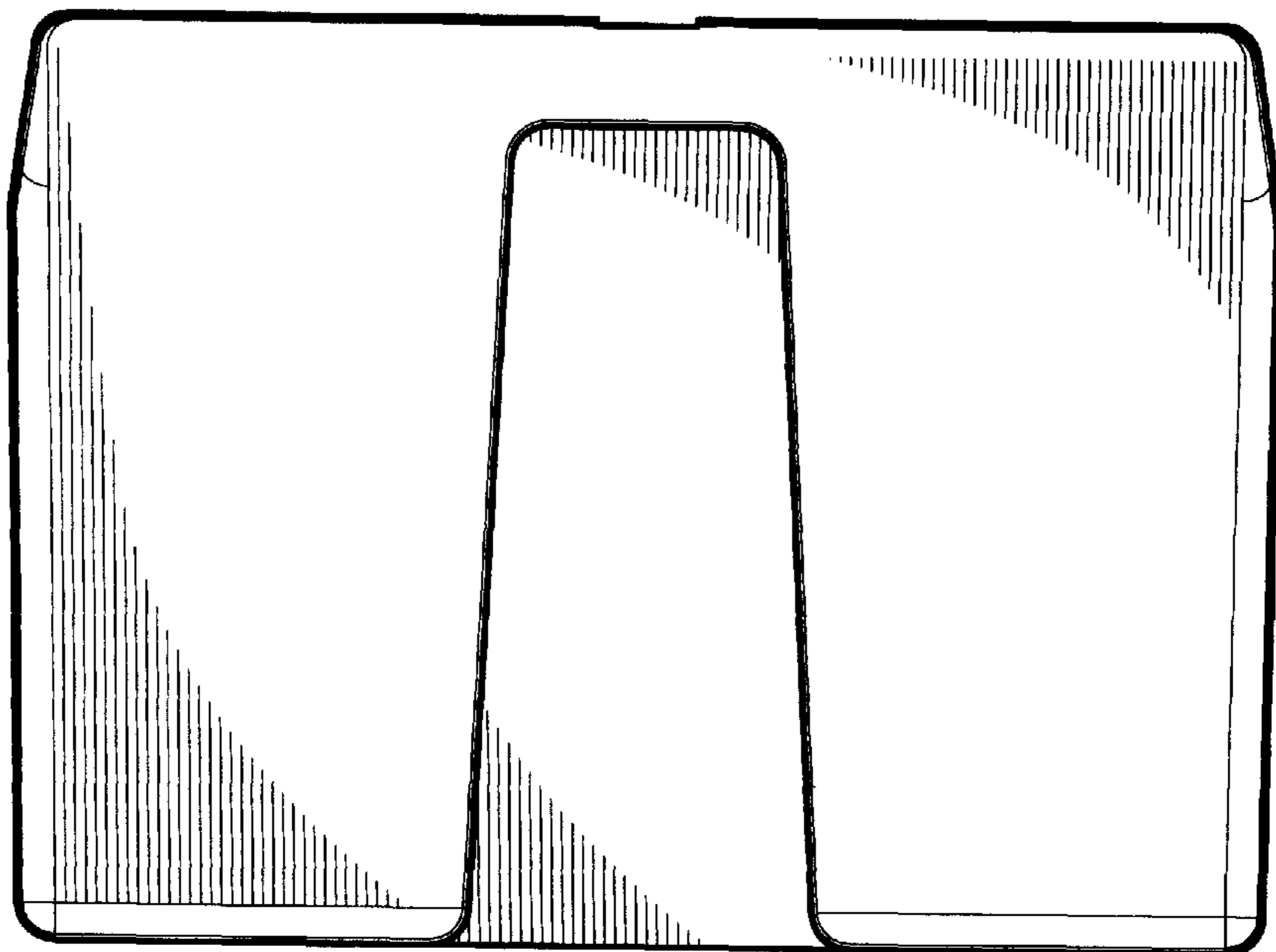
*FIG. 3*



*FIG. 4*



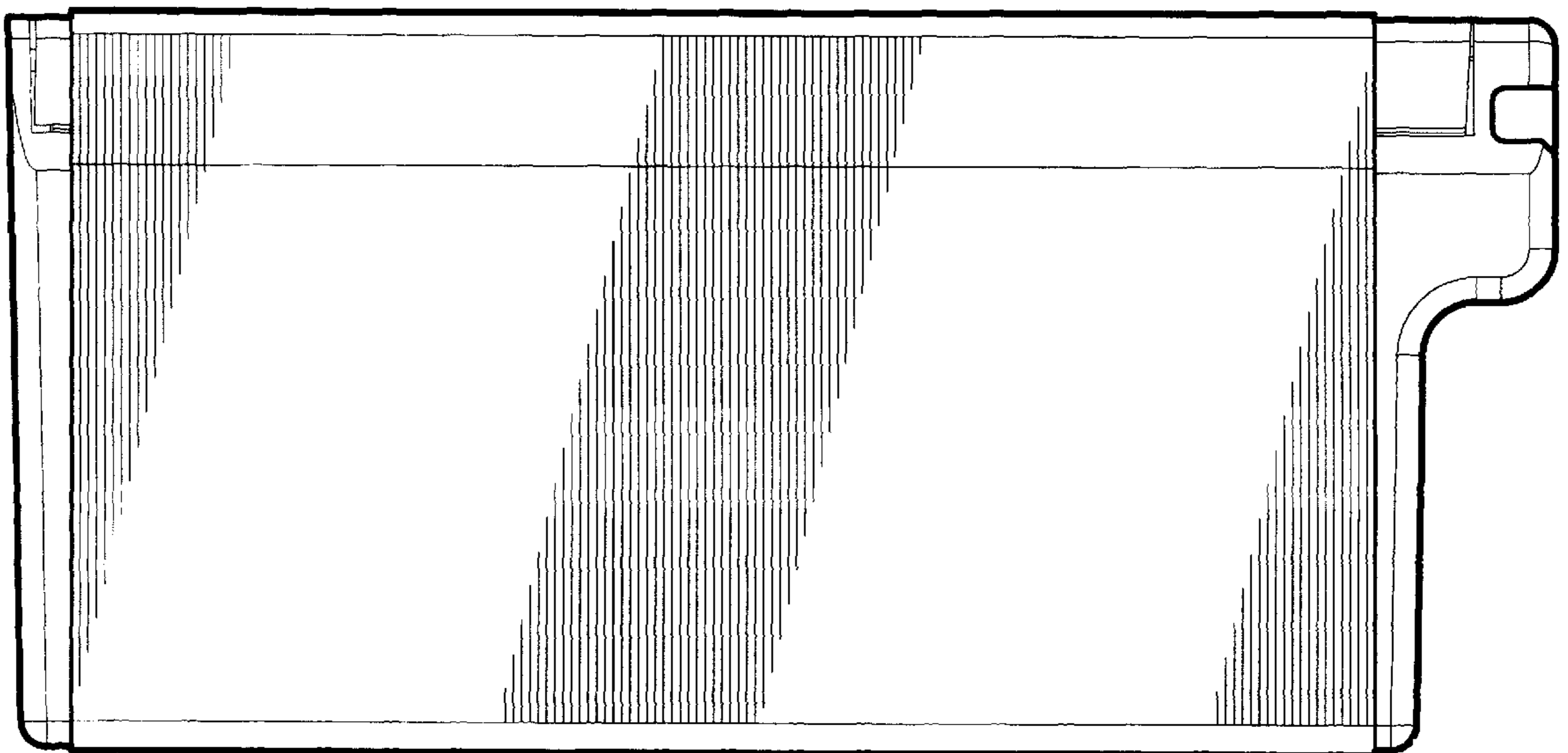
*FIG. 5*



*FIG. 6*



*FIG. 7*



*FIG. 8*