



US00D425475S

United States Patent [19] Herer

[11] **Patent Number: Des. 425,475**

[45] **Date of Patent: ** May 23, 2000**

[54] **VEHICLE CONSOLE**

[75] Inventor: **Dan T. Herer**, Woodland Hills, Calif.

[73] Assignee: **Integrated Video Concepts**, Woodland Hills, Calif.

[**] Term: **14 Years**

[21] Appl. No.: **29/108,357**

[22] Filed: **Jul. 26, 1999**

[51] **LOC (7) Cl.** **12-16**

[52] **U.S. Cl.** **D12/424; D12/415**

[58] **Field of Search** D12/415, 419, D12/421, 423-426, 426.1; 296/37.1-37.8, 37.12-37.16; 248/311.1-311.3; 108/43-46, 132, 146, 157, 144; 224/273, 275, 539, 540, 566, 926-928; D9/434, 455

[56] **References Cited**

U.S. PATENT DOCUMENTS

D. 218,438	8/1970	Shook	D12/415
D. 228,973	10/1973	Waldsmith	D12/415
D. 249,262	9/1978	Neece	D14/415 X
D. 253,946	1/1980	Fought	D12/415
D. 279,329	6/1985	Dzak	D12/415 X
D. 279,426	7/1985	Dzak	D12/415 X
D. 283,270	4/1986	Boyar	D12/419 X
D. 359,266	6/1995	Karp et al.	D12/419

D. 363,916	11/1995	Johnson	D12/415
D. 368,890	4/1996	Morris	D12/419
D. 397,083	8/1998	Smith	D12/419

Primary Examiner—Doris V. Coles
Assistant Examiner—Stacia Sinuik
Attorney, Agent, or Firm—Pillsbury Madison & Sutro LLP

[57] **CLAIM**

The ornamental design for a vehicle console, as shown and described.

DESCRIPTION

FIG. 1 is a top right front perspective view of the first embodiment of a vehicle console, showing my new design; FIG. 2 is an enlarged bottom left front perspective view thereof; FIG. 3 is an enlarged front elevational view thereof; FIG. 4 is an enlarged right side elevational view thereof, which is a mirror image of the left side elevational view thereof; FIG. 5 is an enlarged top plan view thereof; FIG. 6 is an enlarged bottom plan view thereof; and, FIG. 7 is a front elevational view of a second embodiment of a vehicle console, showing my new design, the only difference being the inclusion of a cover and an additional opening. The broken line showing of environment is for illustrative purposes only and forms no part of the claimed design.

1 Claim, 4 Drawing Sheets

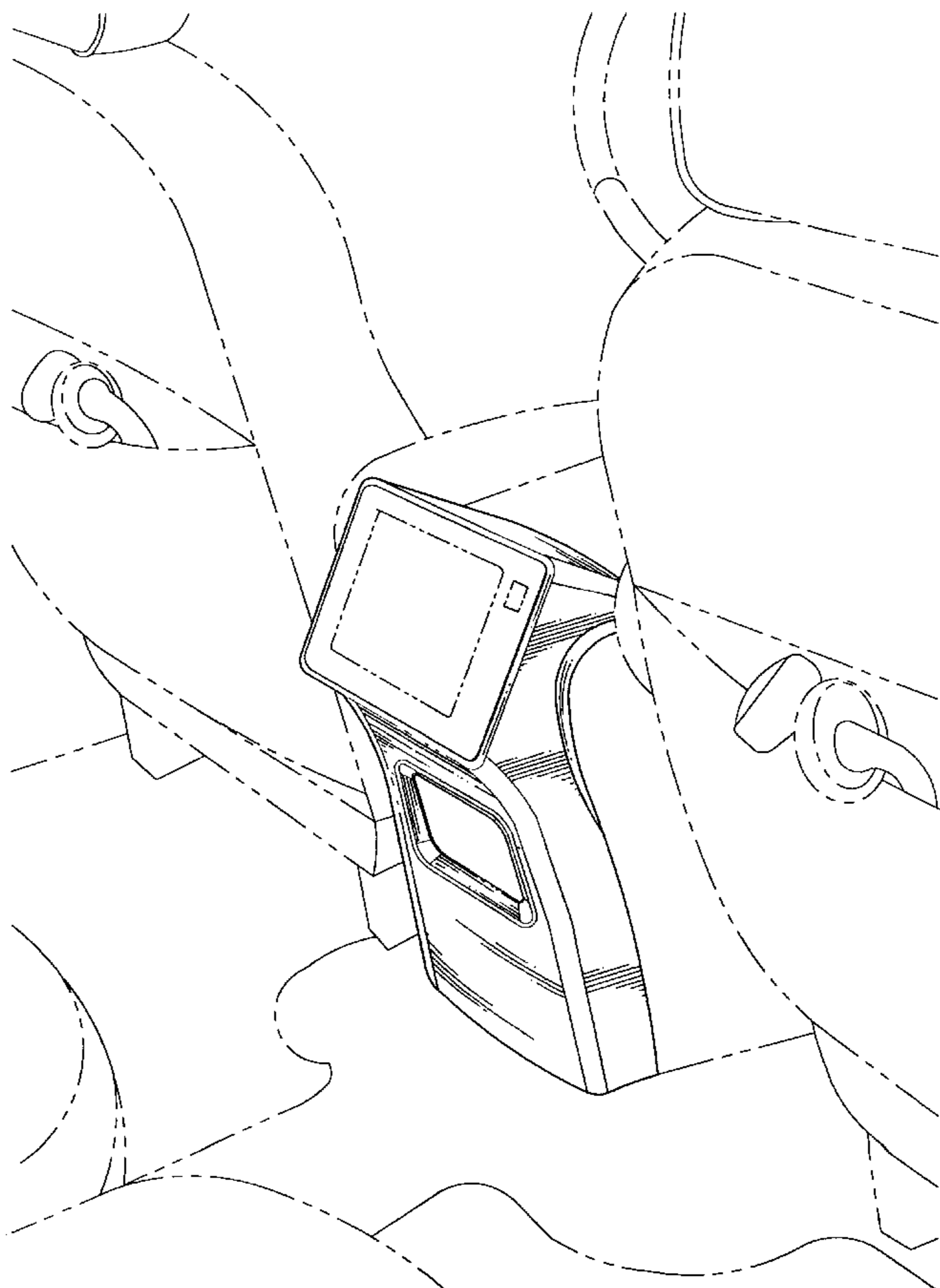


FIG. 1

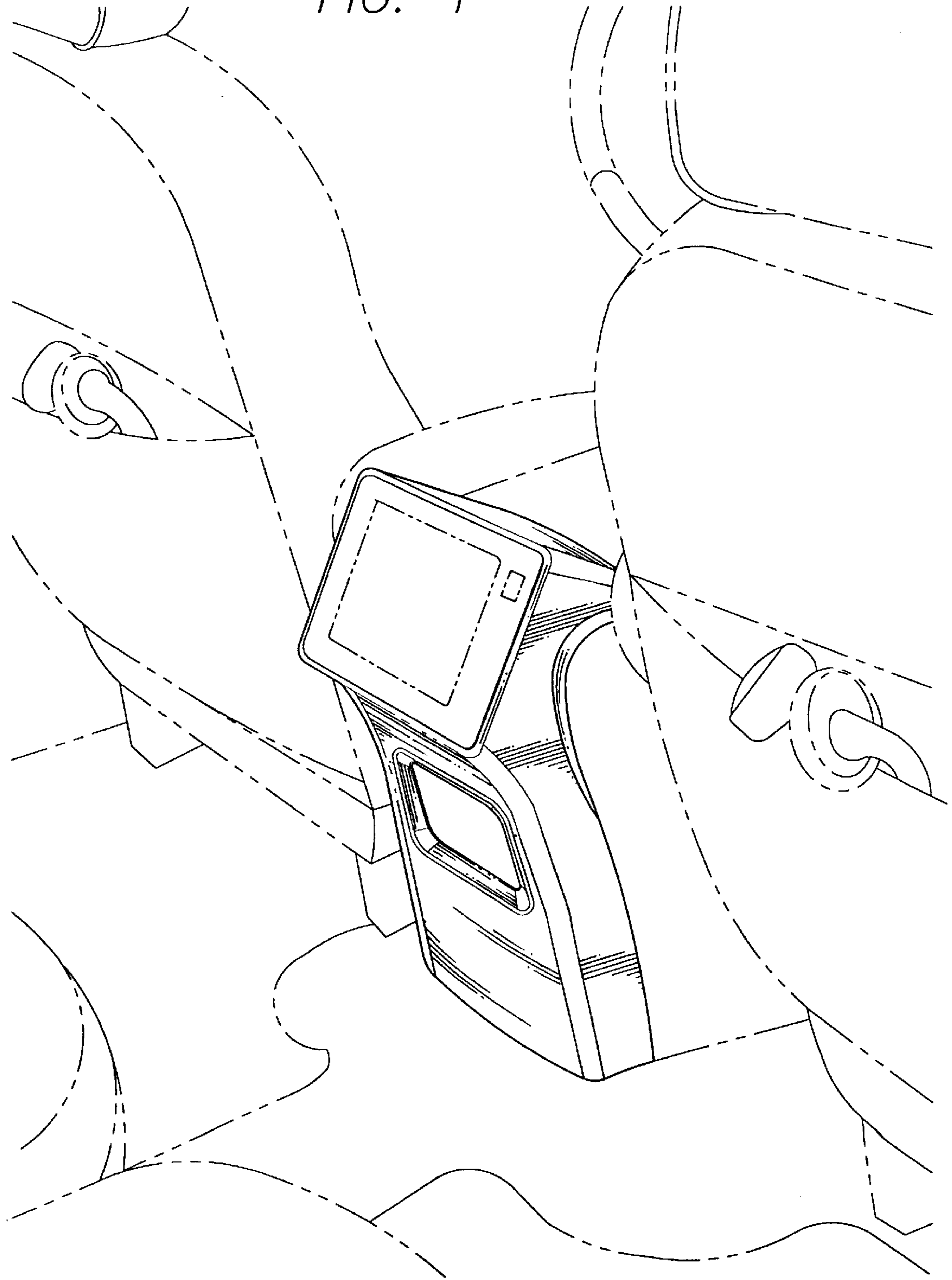


FIG. 2

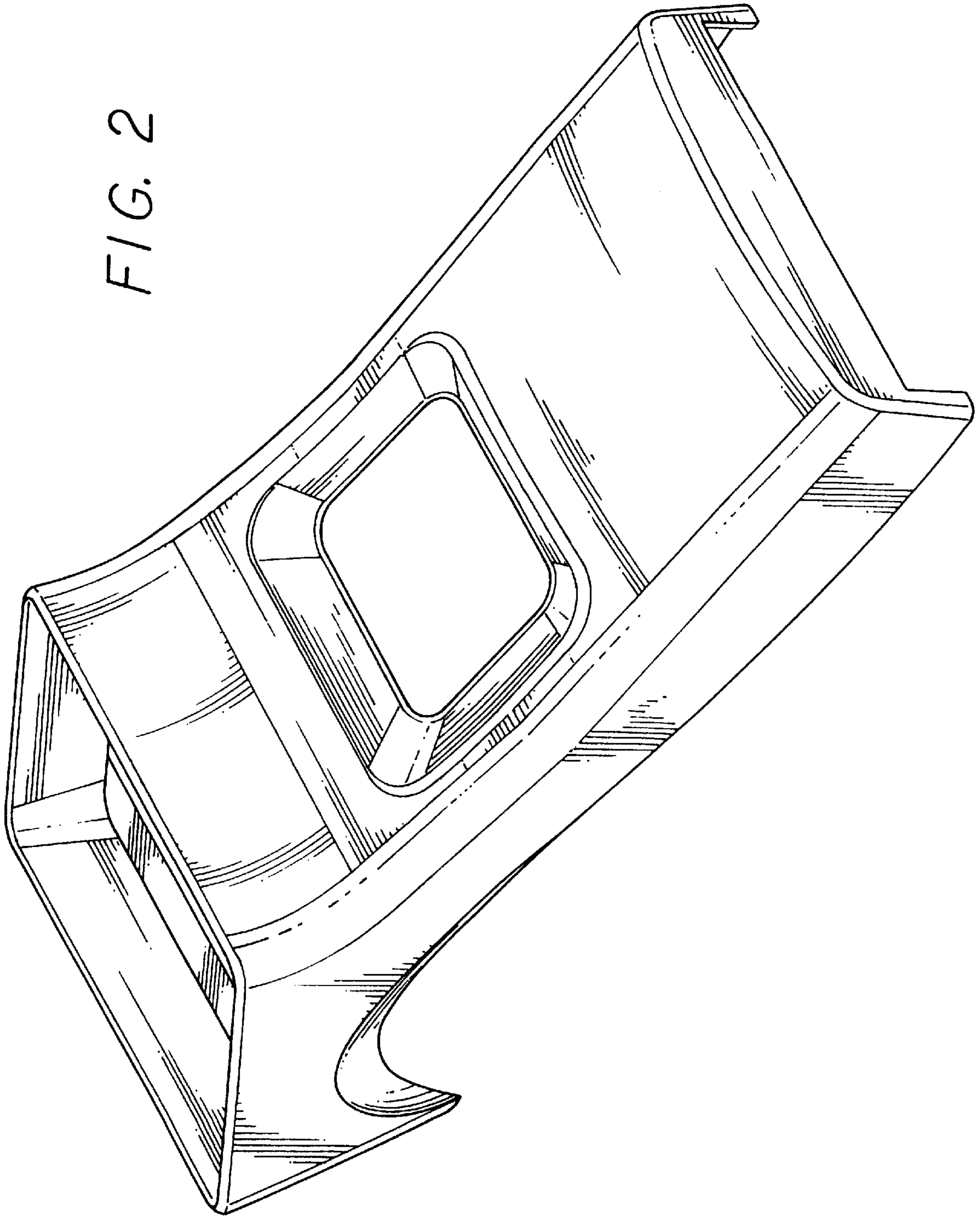


FIG. 3

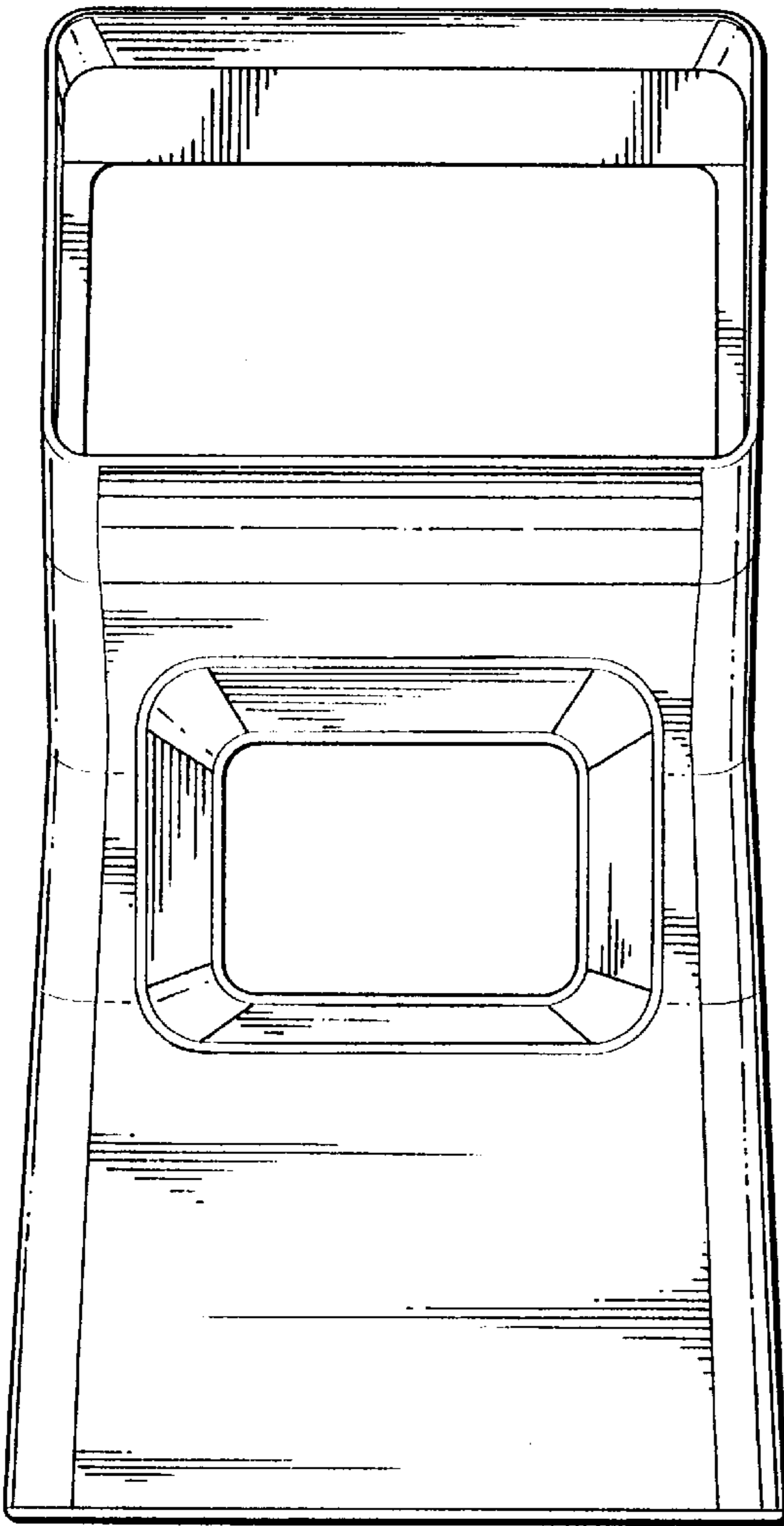


FIG. 4

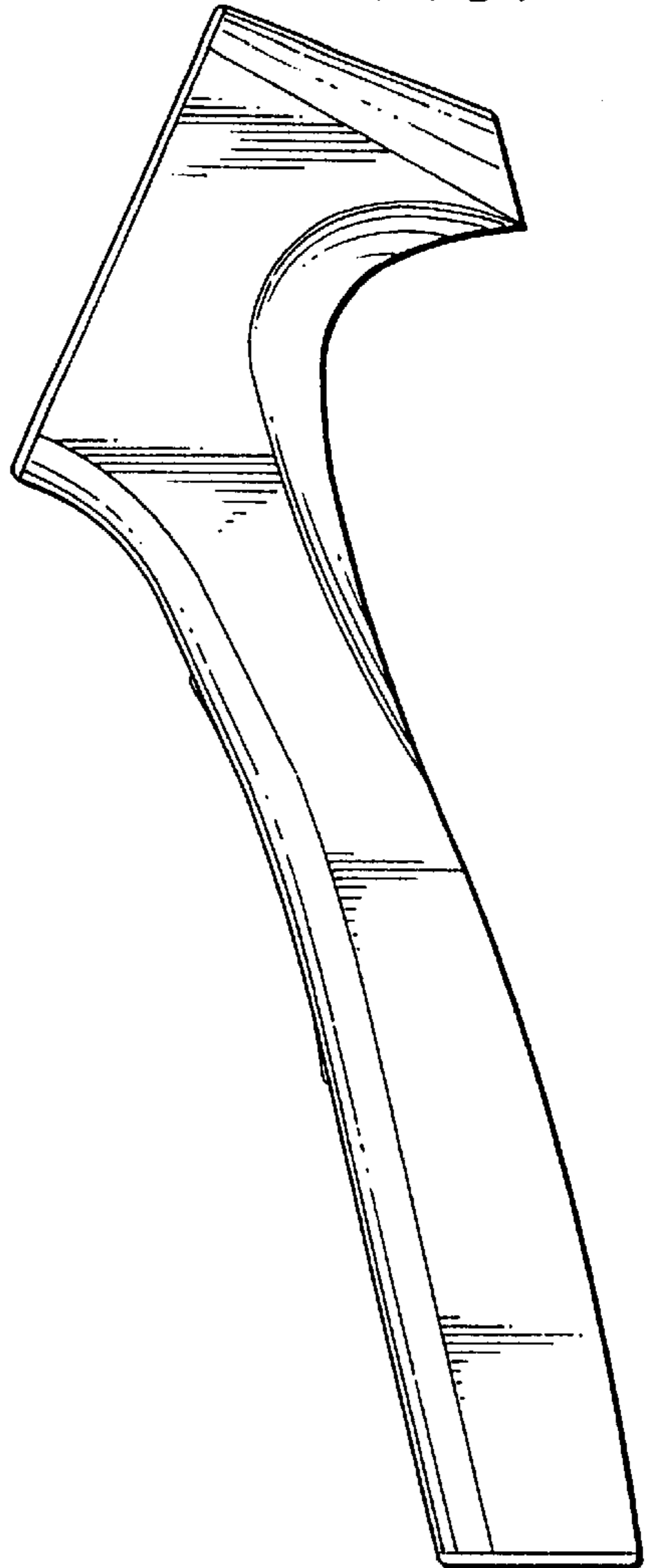


FIG. 5

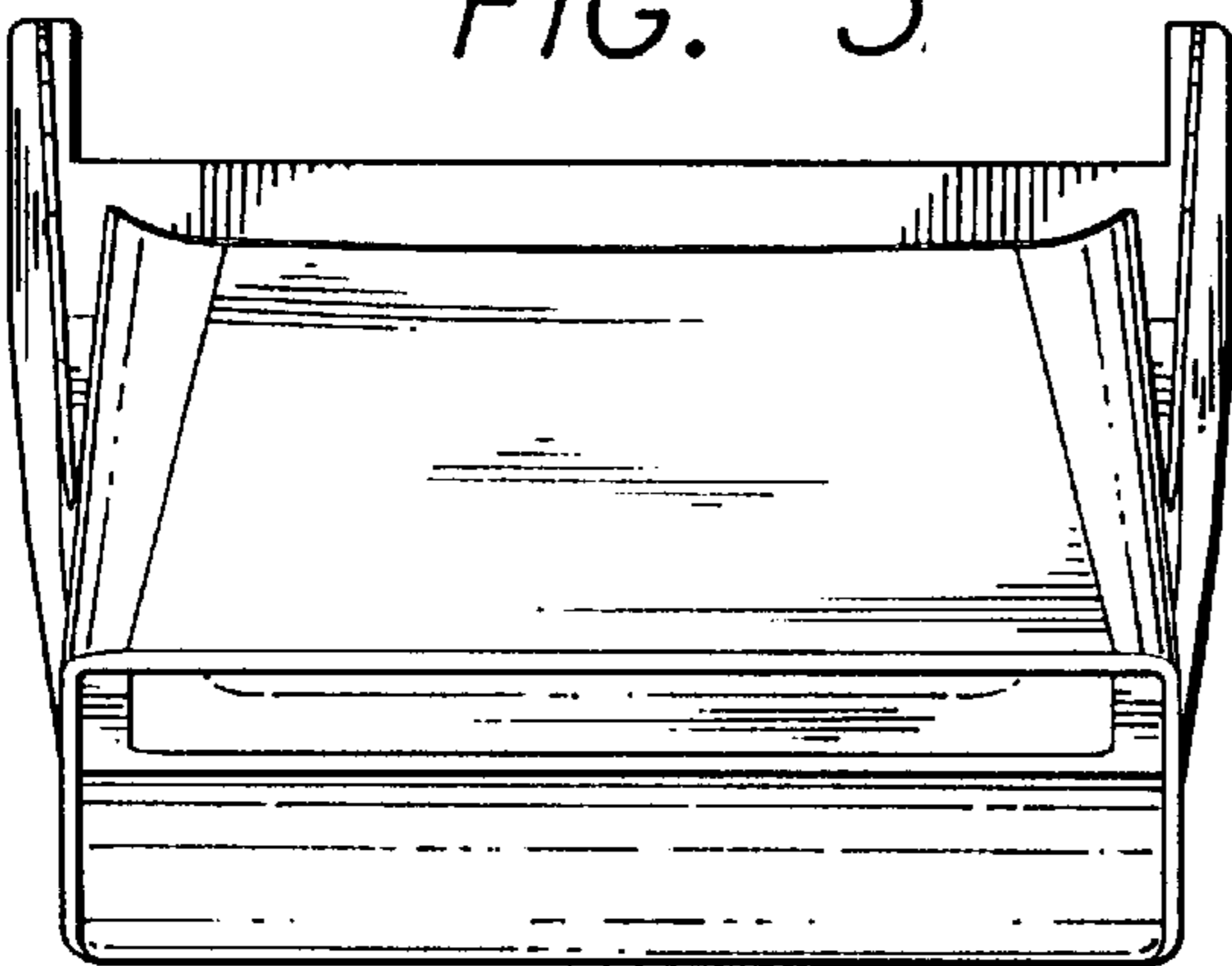


FIG. 6

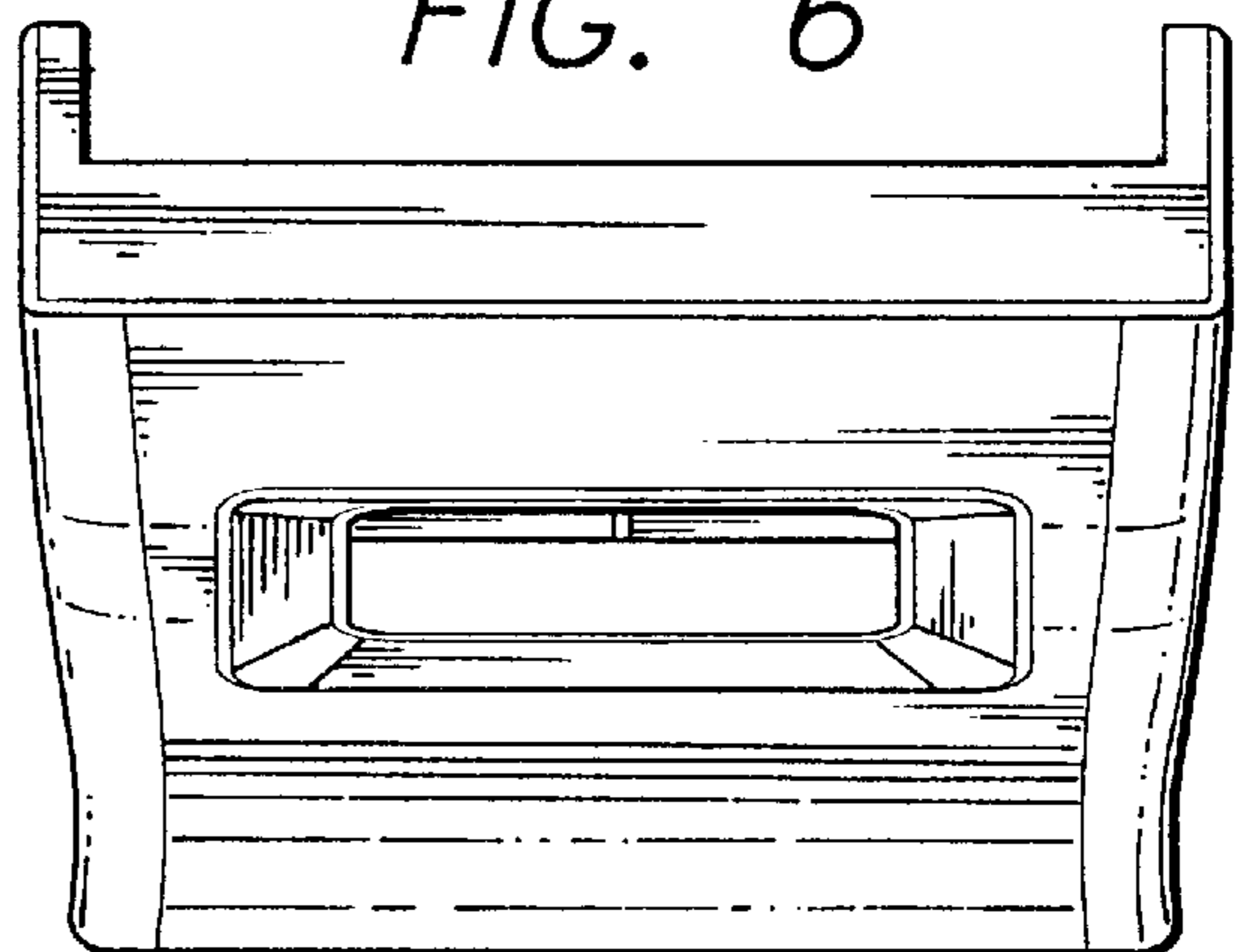


FIG. 7

