



US00D425470S

United States Patent [19]

Pfeiffer et al.

[11] Patent Number: **Des. 425,470**

[45] Date of Patent: **** May 23, 2000**

[54] **FRONT FACE OF A VEHICLE WHEEL**

[75] Inventors: **Peter Pfeiffer**, Boeblingen; **Franz Lecher**, Sindelfingen; **Steffen Koehl**; **Gorden Wagener**, both of Stuttgart, all of Germany

[73] Assignee: **DaimlerChrysler AG**, Stuttgart, Germany

[**] Term: **14 Years**

[21] Appl. No.: **29/106,870**

[22] Filed: **Jun. 24, 1999**

[30] **Foreign Application Priority Data**

Dec. 24, 1998 [DE] Germany 4 98 12 485

[51] **LOC (7) Cl.** **12-16**

[52] **U.S. Cl.** **D12/209**

[58] **Field of Search** D12/204-211;
301/37.1, 64.1, 65

[56] **References Cited**

U.S. PATENT DOCUMENTS

- D. 323,138 1/1992 Malmgren et al. D12/211
- D. 359,938 7/1995 Chien D12/209
- D. 361,320 8/1995 Wise D12/209
- D. 371,100 6/1996 Hatter D12/209
- D. 375,716 11/1996 Dehner D12/209
- D. 384,022 9/1997 Hatter D12/209
- D. 384,929 10/1997 Neeper D12/209

- D. 388,390 12/1997 Chung D12/209
- D. 399,471 10/1998 Cullen D12/209
- D. 402,249 12/1998 Kulla D12/209
- D. 409,130 5/1999 Brown et al. D12/209
- D. 409,546 5/1999 Stark D12/209
- D. 409,966 5/1999 Chung D12/209
- D. 412,308 7/1999 Hussaini et al. D12/209
- D. 414,453 9/1999 Tsai D12/209
- D. 415,093 10/1999 Noriega D12/209
- D. 419,126 1/2000 Hartmann, Jr. D12/209

Primary Examiner—Stacia Cadmus
Attorney, Agent, or Firm—Evenson, McKeown, Edwards & Lenahan, P.L.L.C.

[57] **CLAIM**

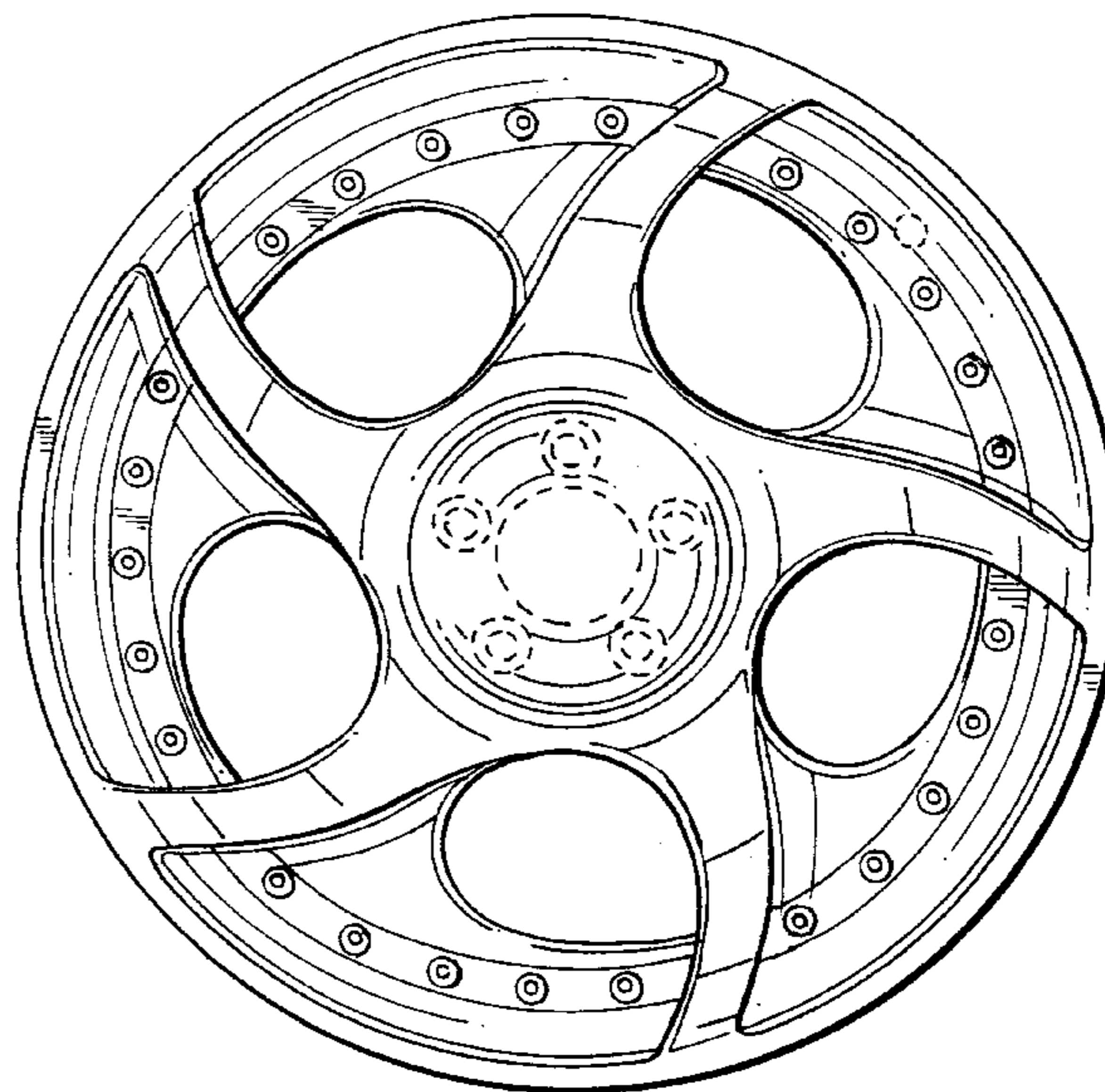
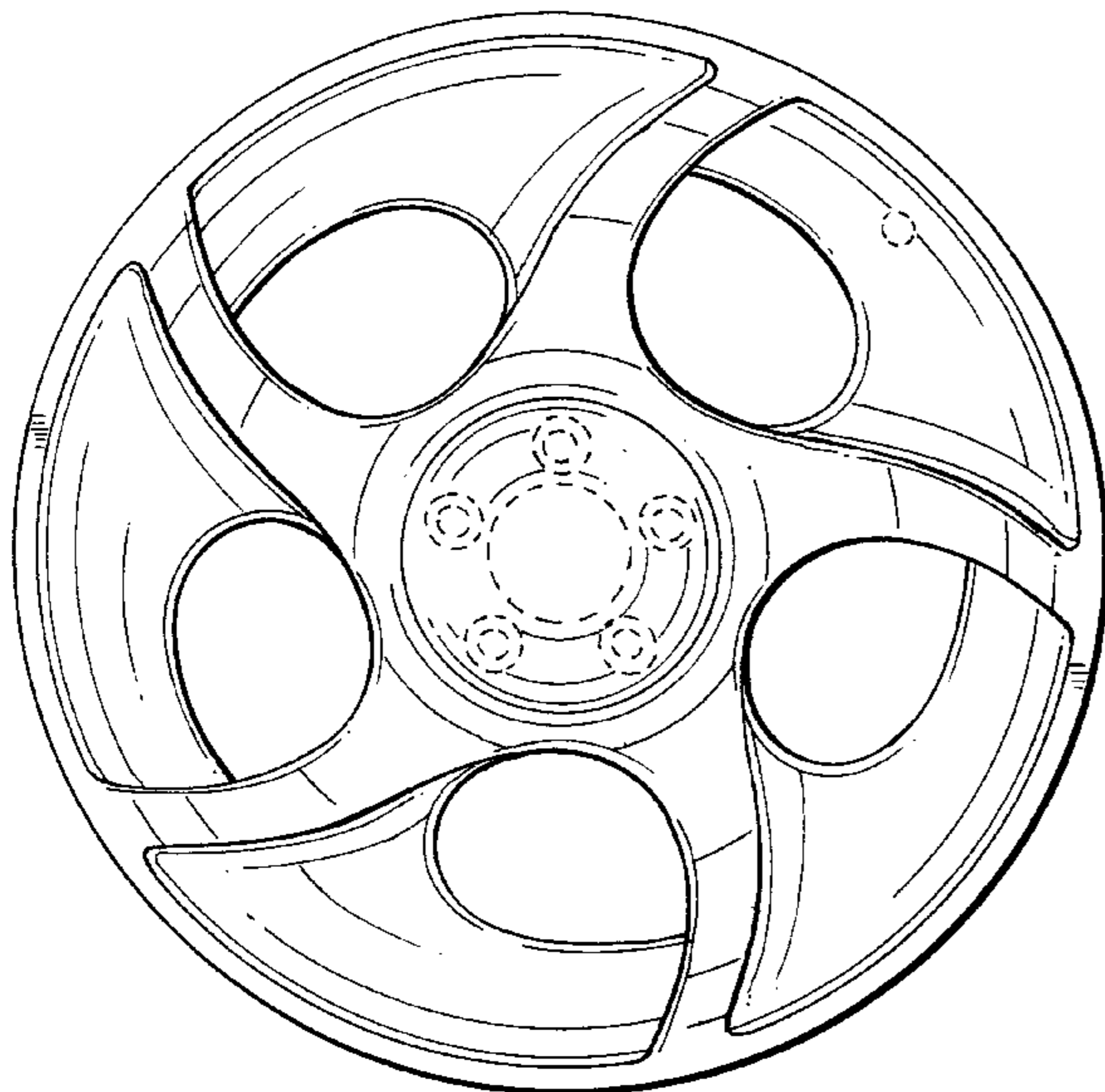
The ornamental design for a front face of a vehicle wheel, as shown and described.

DESCRIPTION

FIG. 1 is a front view of a first embodiment of a front face of a vehicle wheel according to my novel design; FIG. 2 is a perspective view of the first embodiment of the front face of a vehicle wheel according to my novel design; FIG. 3 is a front view of a second embodiment of the front face of a vehicle wheel according to my novel design; and, FIG. 4 is a perspective view of the second embodiment of the front face of a vehicle wheel according to my novel design.

The dash lines included depict environment and are not part of the claimed design.

1 Claim, 4 Drawing Sheets



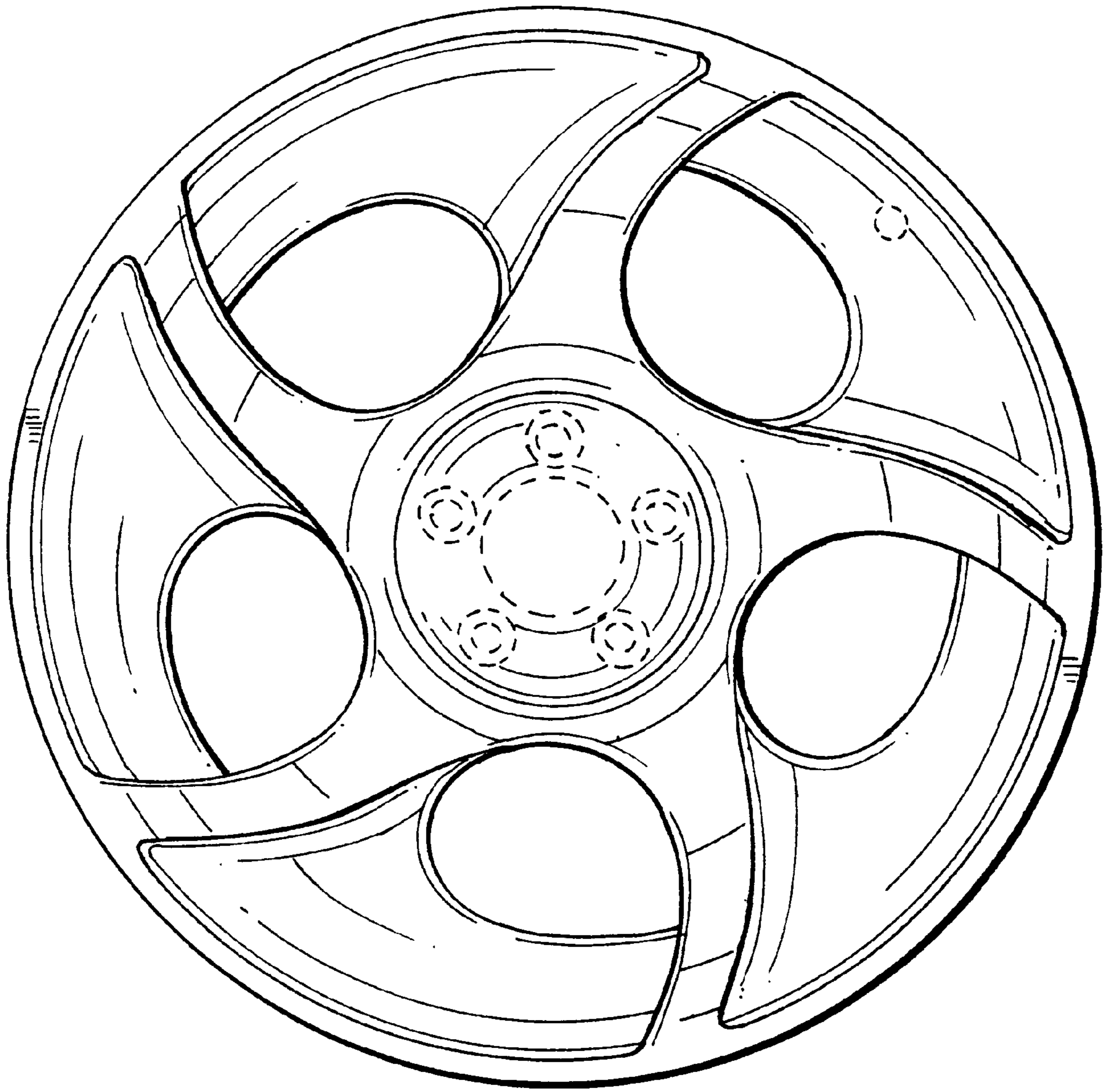


FIG. 1

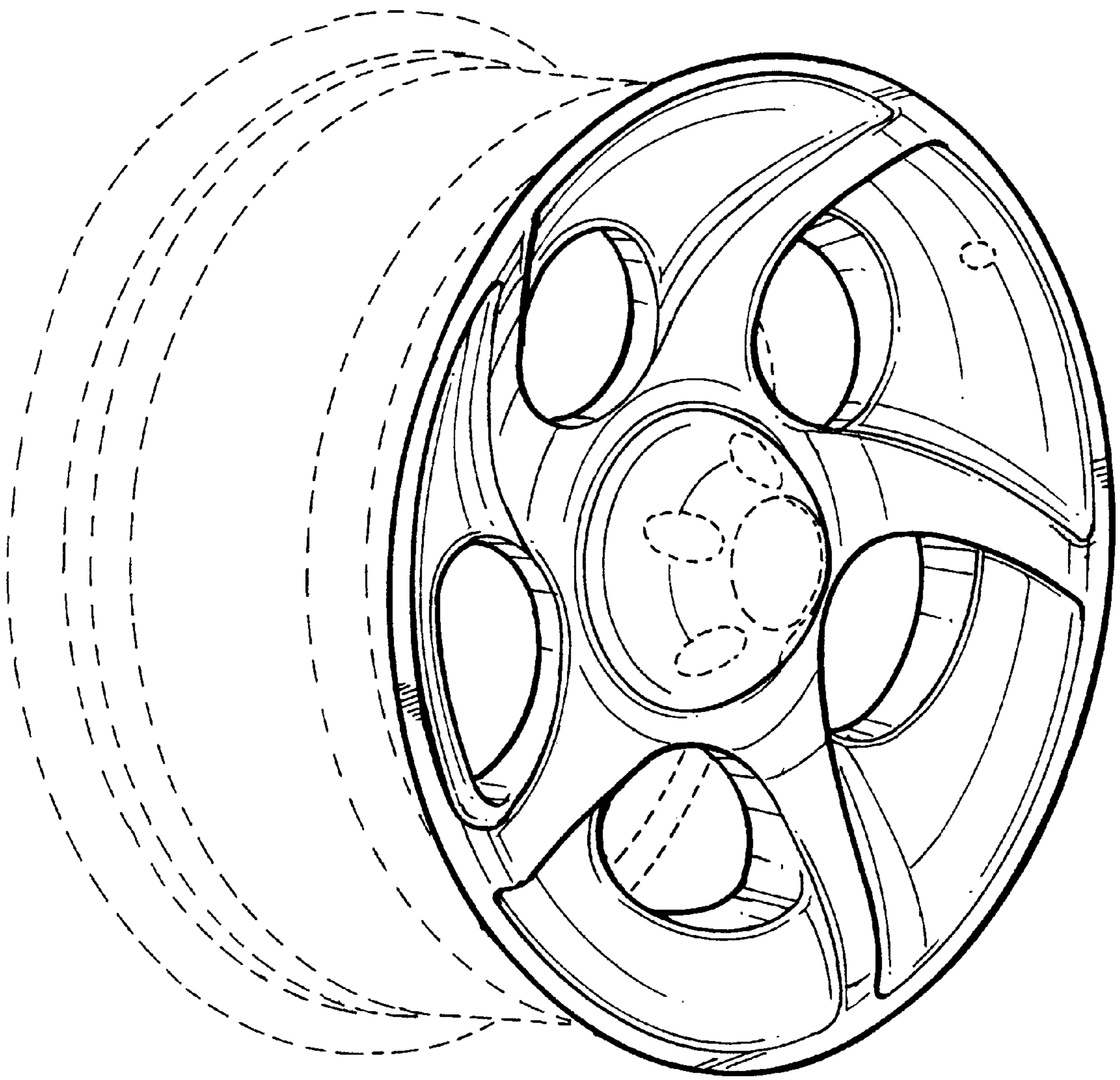


FIG. 2

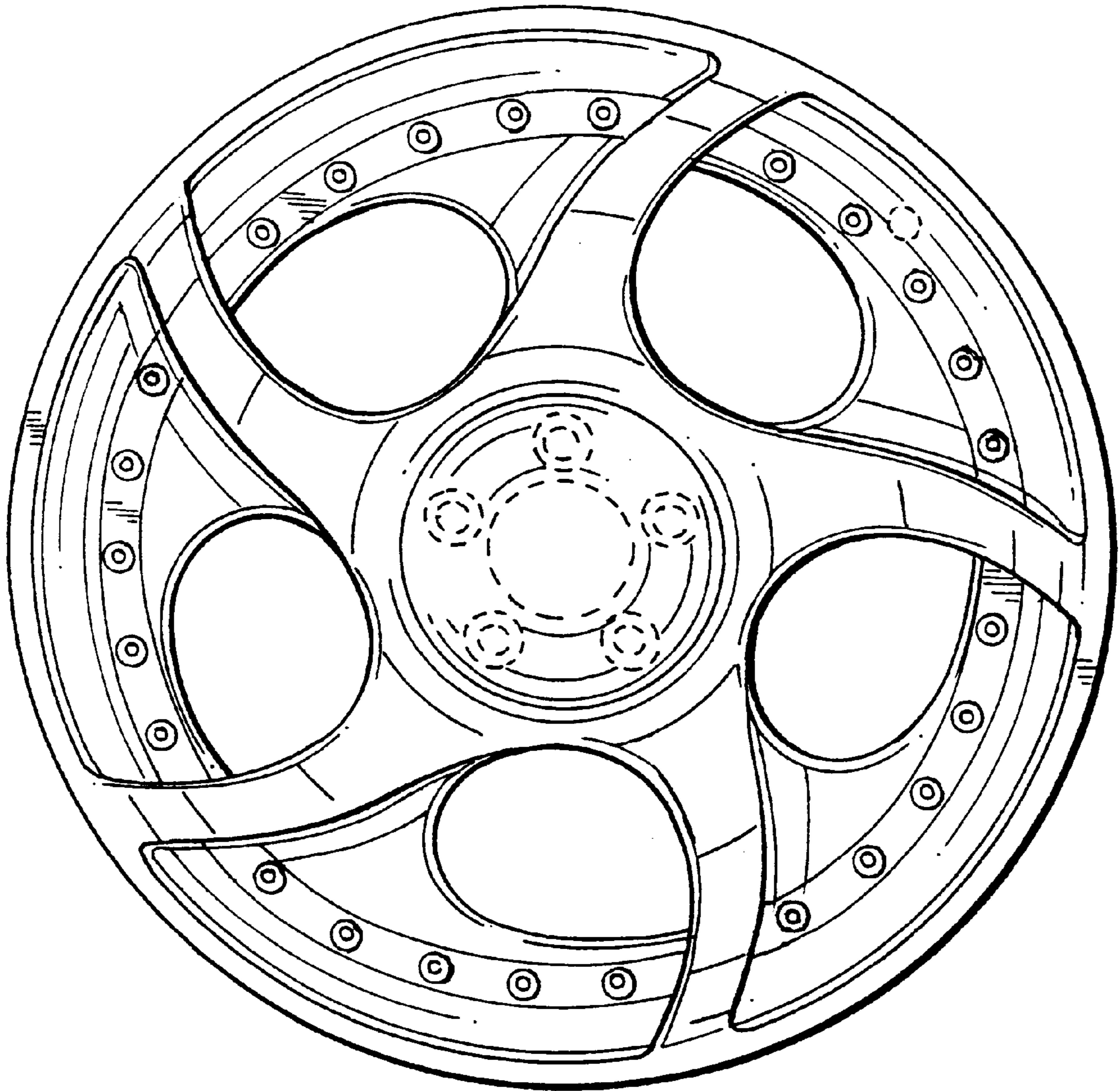


FIG. 3

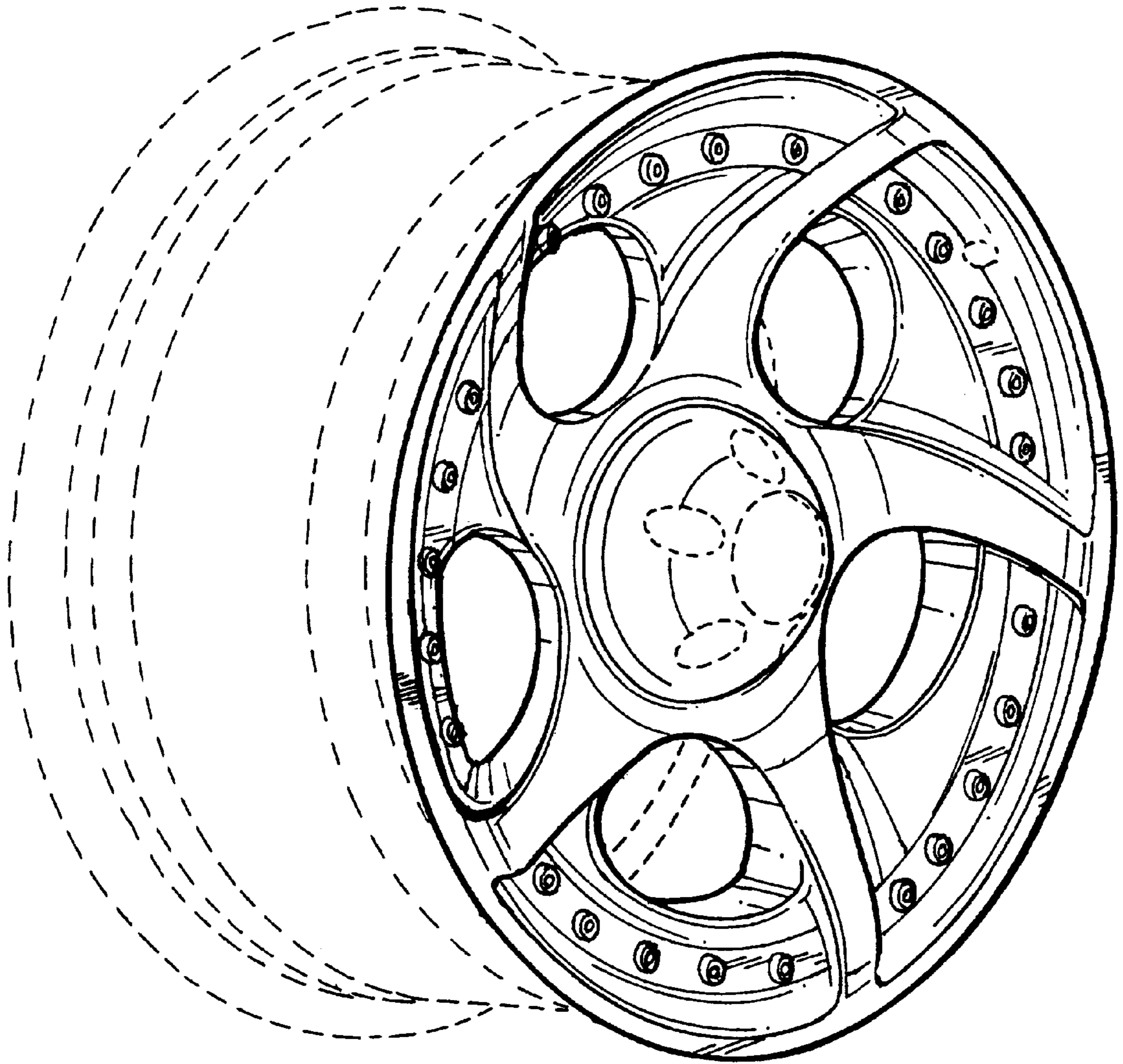


FIG. 4