



US00D425469S

United States Patent [19] Chung

[11] Patent Number: **Des. 425,469**

[45] Date of Patent: **** *May 23, 2000**

[54] **AUTOMOTIVE WHEEL**

[75] Inventor: **Suny Chung**, Placentia, Calif.

[73] Assignee: **DM Tech America, Inc**, Cerritos, Calif.

[*] Notice: This patent is subject to a terminal disclaimer.

[**] Term: **14 Years**

[21] Appl. No.: **29/094,846**

[22] Filed: **Oct. 13, 1998**

[51] **LOC (7) Cl.** **12-16**

[52] **U.S. Cl.** **D12/209**

[58] **Field of Search** D12/204-213;
301/64.1, 65, 37.1

[56] **References Cited**

U.S. PATENT DOCUMENTS

- D. 385,246 10/1997 Neeper D12/209
- D. 386,740 11/1997 Cullen D12/209
- D. 390,822 2/1998 Neeper D12/209

- D. 393,442 4/1998 Noriega D12/209
- D. 395,862 7/1998 Cullen D12/209
- D. 396,443 7/1998 Neeper D12/209
- D. 396,444 7/1998 Neeper D12/209
- D. 398,276 9/1998 Neeper D12/209
- D. 399,811 10/1998 Echazabal D12/209
- D. 400,154 10/1998 Noriega D12/209

Primary Examiner—Caron D. Veynar
Assistant Examiner—Stacia Sinuik
Attorney, Agent, or Firm—G. Donald Weber, Jr.

[57] **CLAIM**

The ornamental design for an automotive wheel, as shown and described.

DESCRIPTION

FIG. 1 is an oblique view of the automotive wheel of the instant invention; and, FIG. 2 is a plan view of the automotive wheel of the instant invention.

The broken line showing of environment is for illustrative purposes only and forms no part of the claimed design.

1 Claim, 1 Drawing Sheet

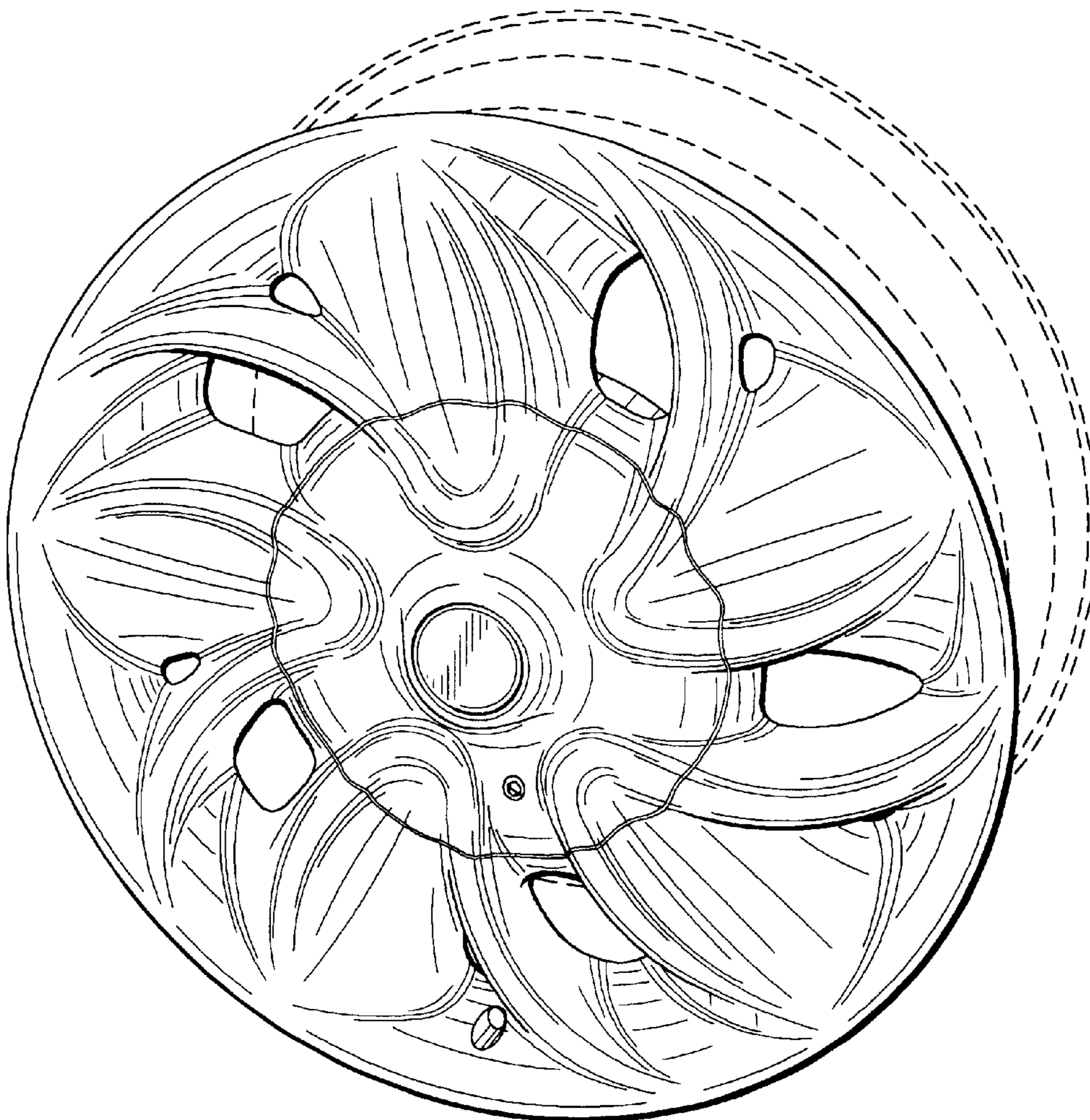


FIG. 1

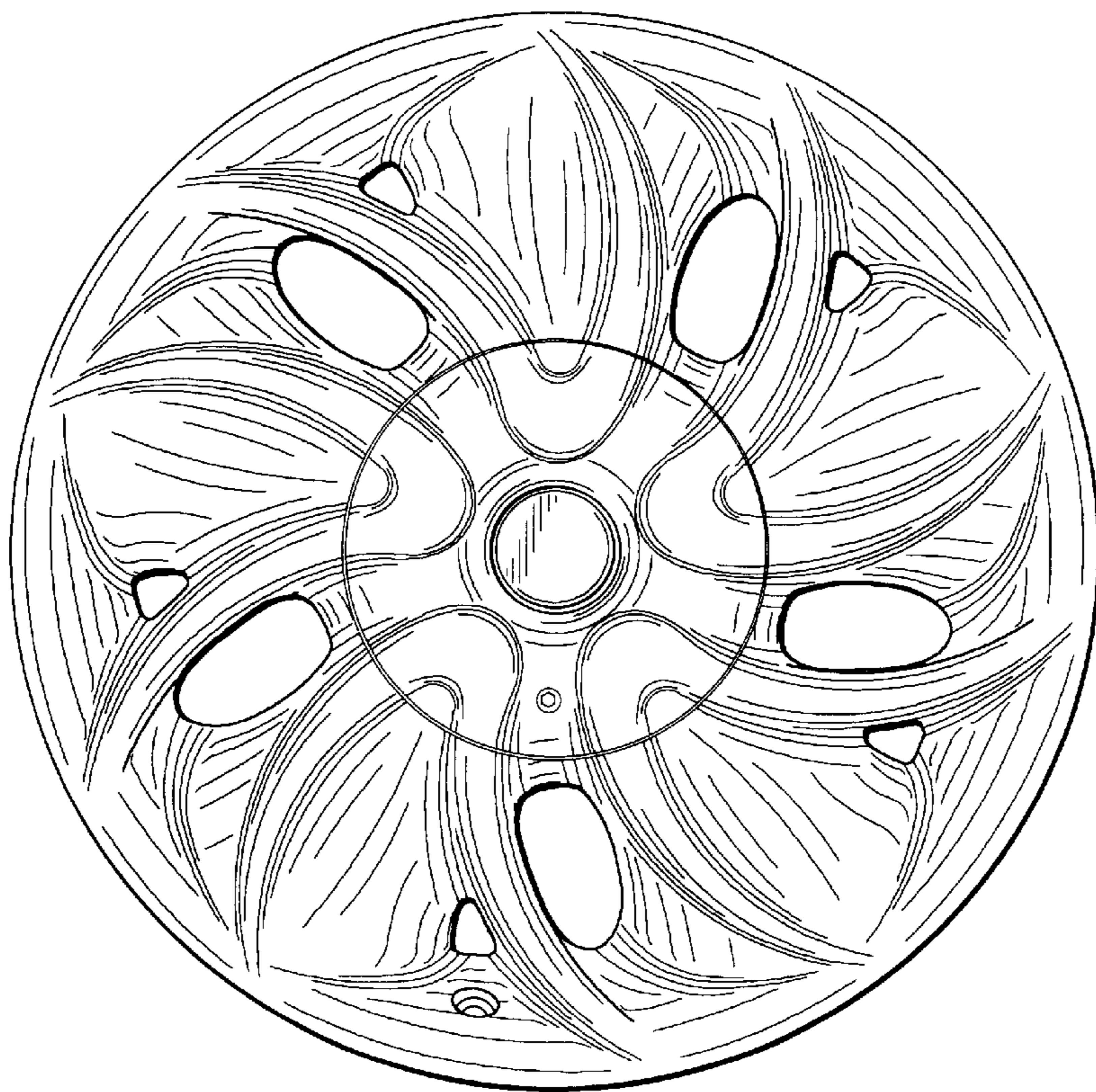
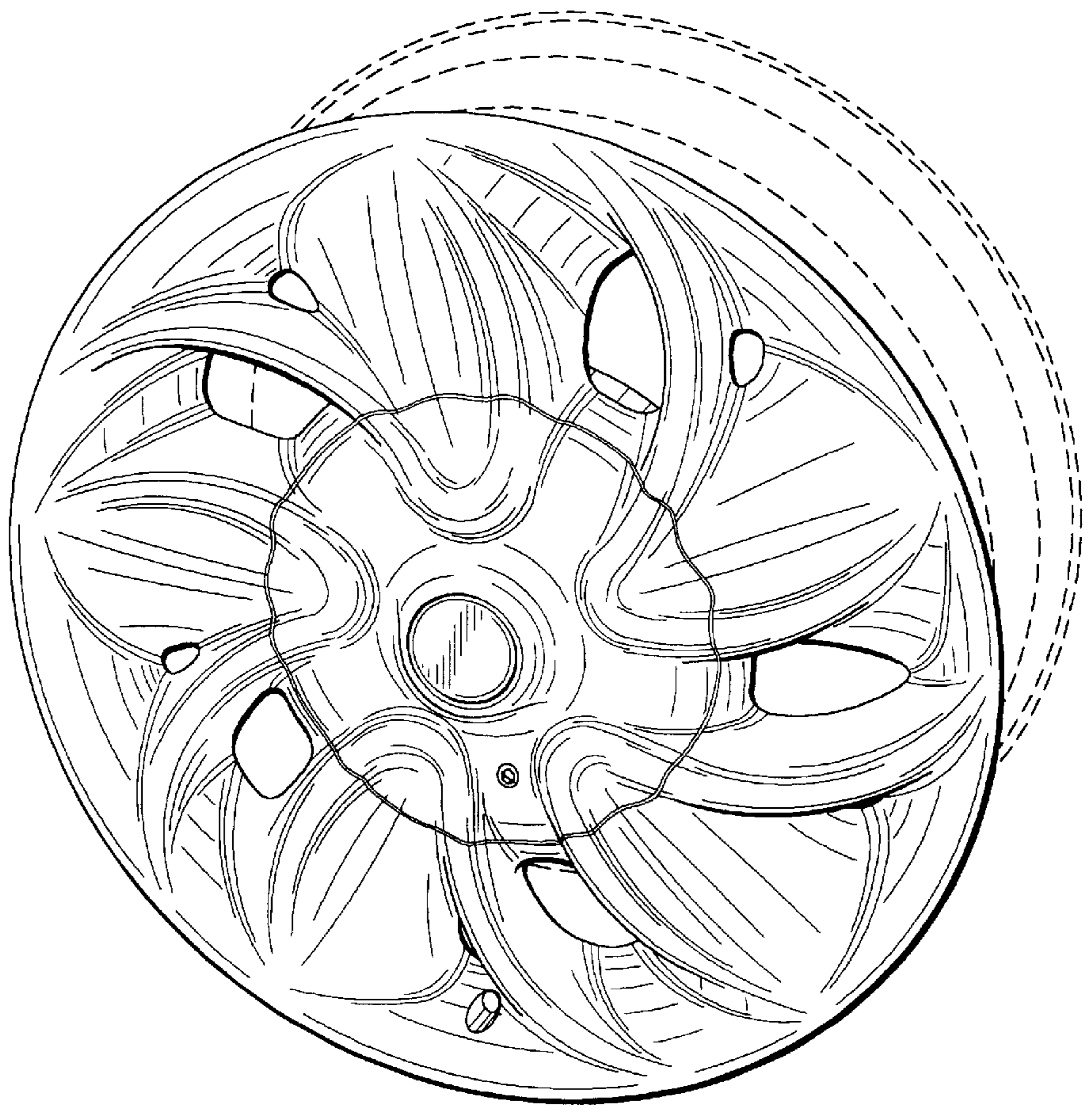


FIG. 2