



US00D425464S

United States Patent [19] Sands

[11] **Patent Number: Des. 425,464**

[45] **Date of Patent: ** May 23, 2000**

[54] **BRAKE MASTER CYLINDER**

[75] Inventor: **Perry Sands**, La Palma, Calif.

[73] Assignee: **Performance Machine Inc.**, La Palma, Calif.

[**] Term: **14 Years**

[21] Appl. No.: **29/103,048**

[22] Filed: **Apr. 7, 1999**

[51] **LOC (7) Cl.** **12-16**

[52] **U.S. Cl.** **D12/179**

[58] **Field of Search** D12/110, 114,
D12/117, 179, 180; 180/219; 280/288.4

[56] **References Cited**

U.S. PATENT DOCUMENTS

- D. 286,034 10/1986 Giorgetti D12/179
- D. 376,340 12/1996 Davidson et al. D12/180
- D. 401,189 11/1998 Carone D12/126

OTHER PUBLICATIONS

Drag Specialities, Handle Bar Master Cylinders on p. 369, 1995.

Primary Examiner—Alan P. Douglas
Assistant Examiner—Linda Brooks
Attorney, Agent, or Firm—David Pressman

[57] **CLAIM**

The ornamental design for a brake master cylinder, as shown.

DESCRIPTION

FIG. 1 is a top, front perspective view of a brake master cylinder according to my invention.

FIG. 2 is a top, front view of the brake master cylinder of FIG. 1.

FIG. 3 is a front view of the brake master cylinder of FIG. 1.

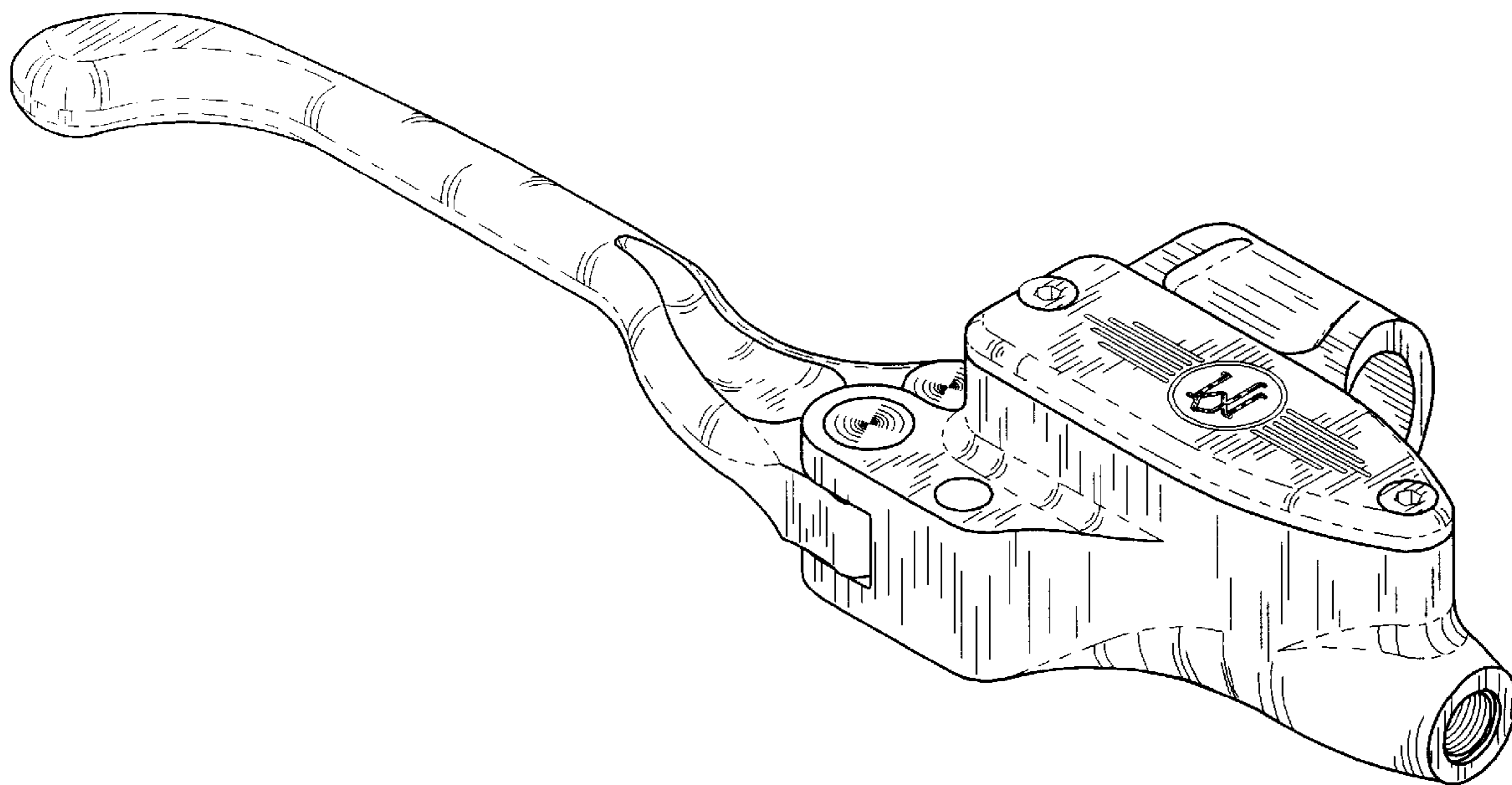
FIG. 4 is a rear view of the brake master cylinder of FIG. 1.

FIG. 5 is a bottom view of the brake master cylinder of FIG. 1.

FIG. 6 is a rear view of the brake master cylinder of FIG. 1; and,

FIG. 7 is a left view of the brake master cylinder of FIG. 1.

1 Claim, 4 Drawing Sheets



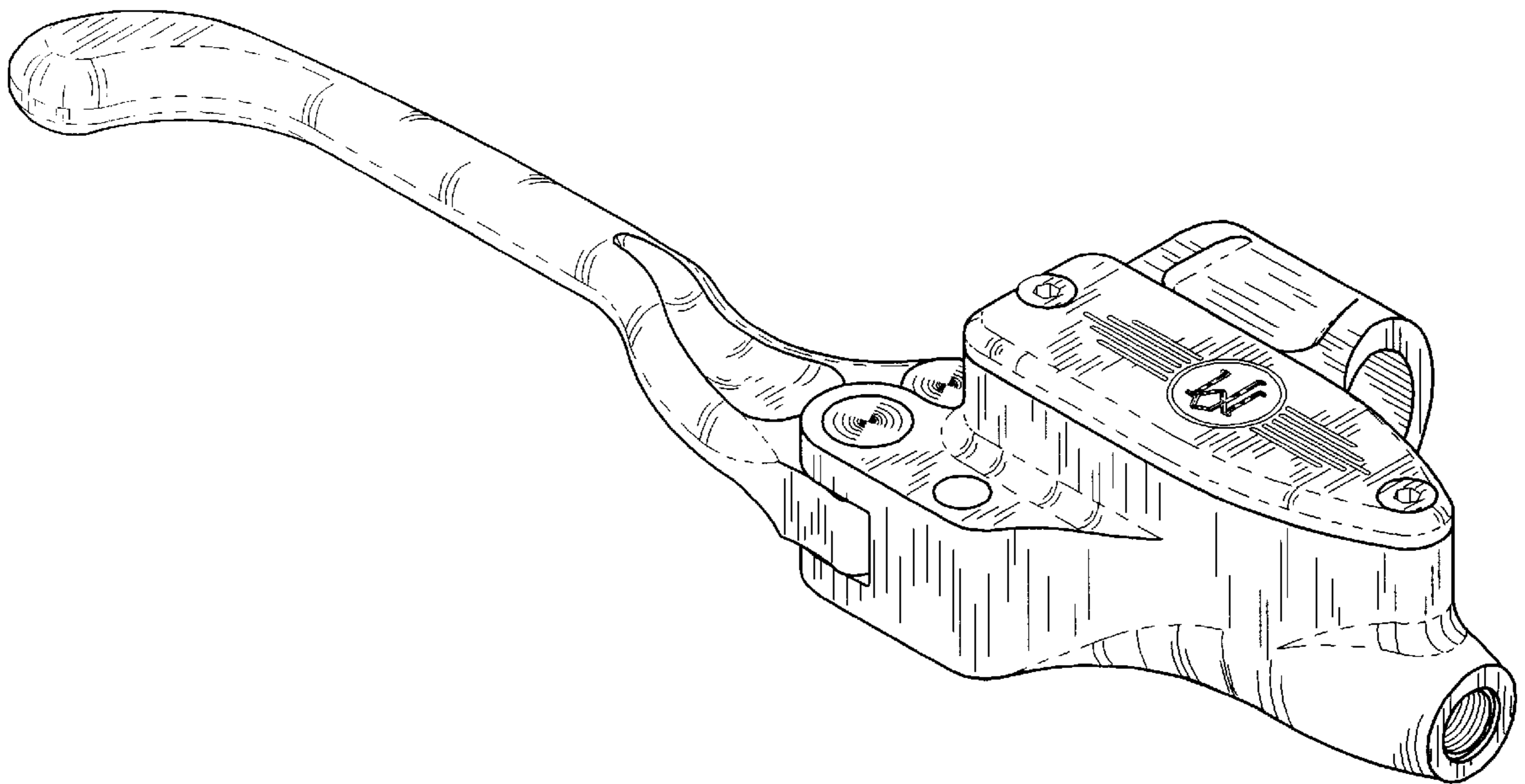


Fig. 1

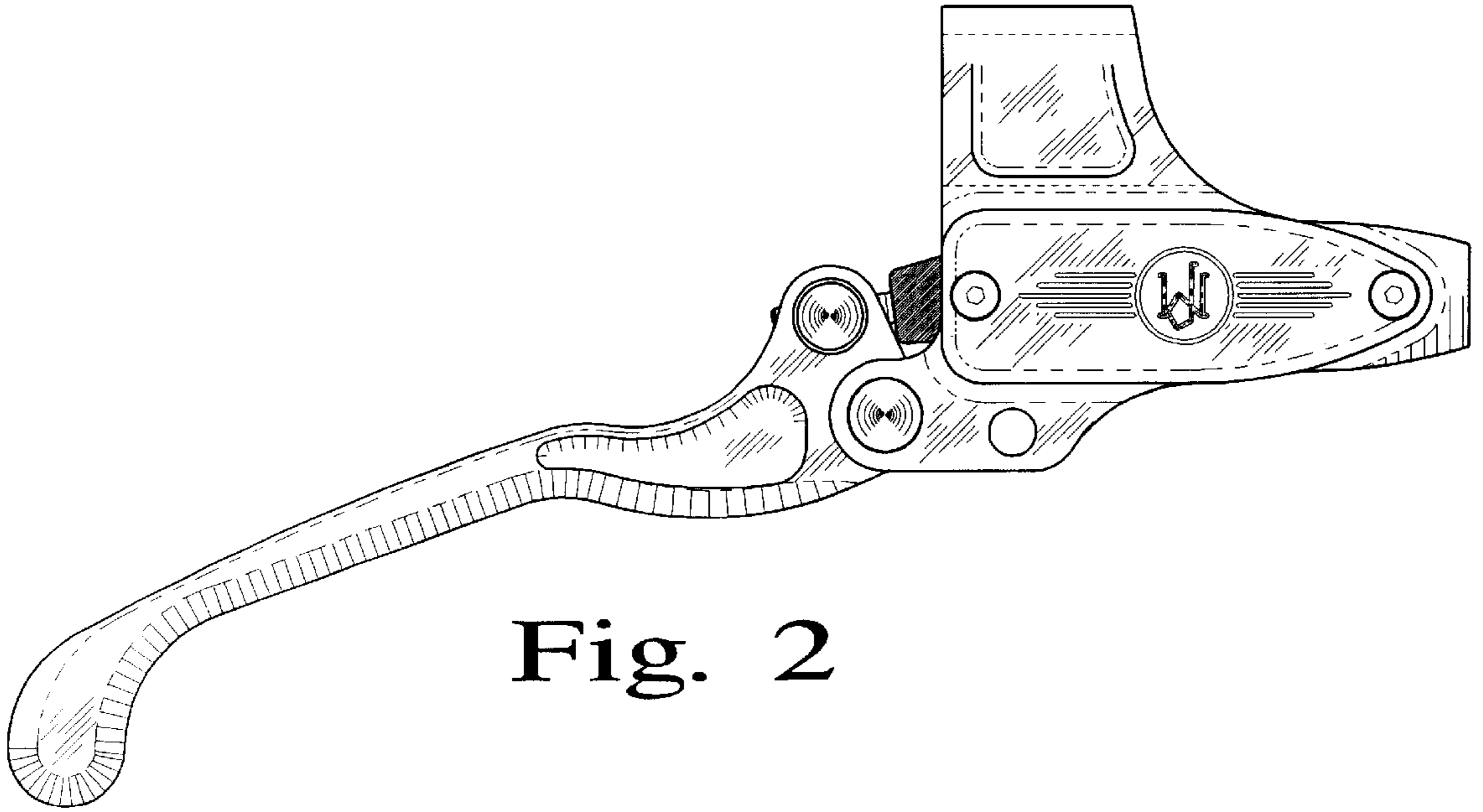


Fig. 2

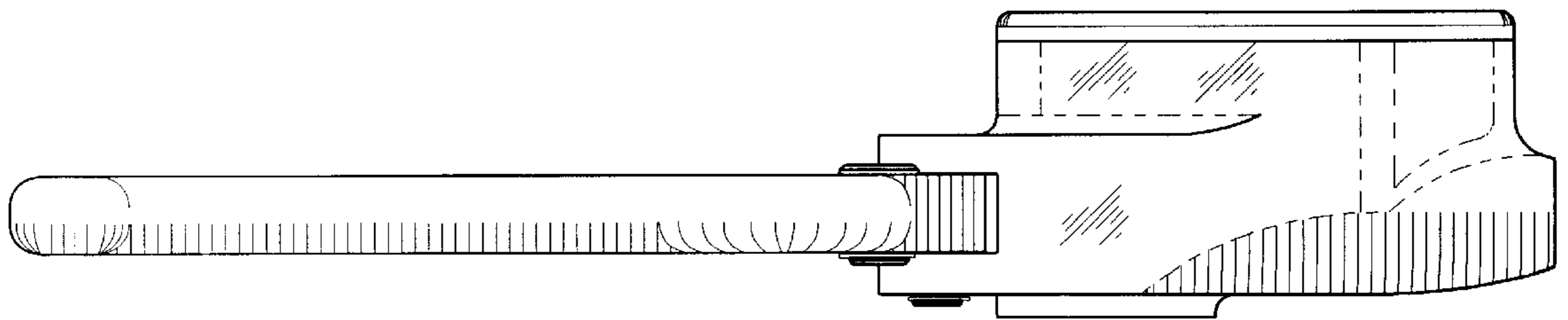


Fig. 3

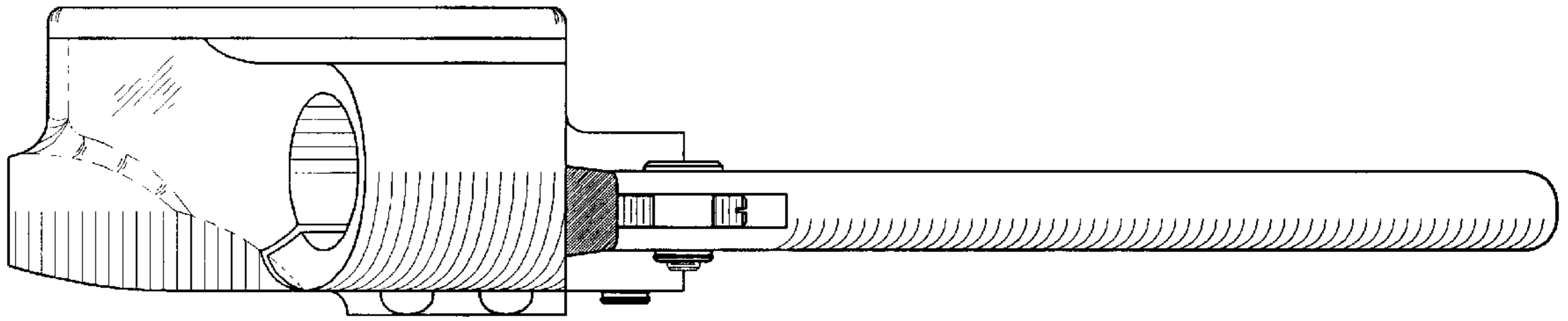


Fig. 4

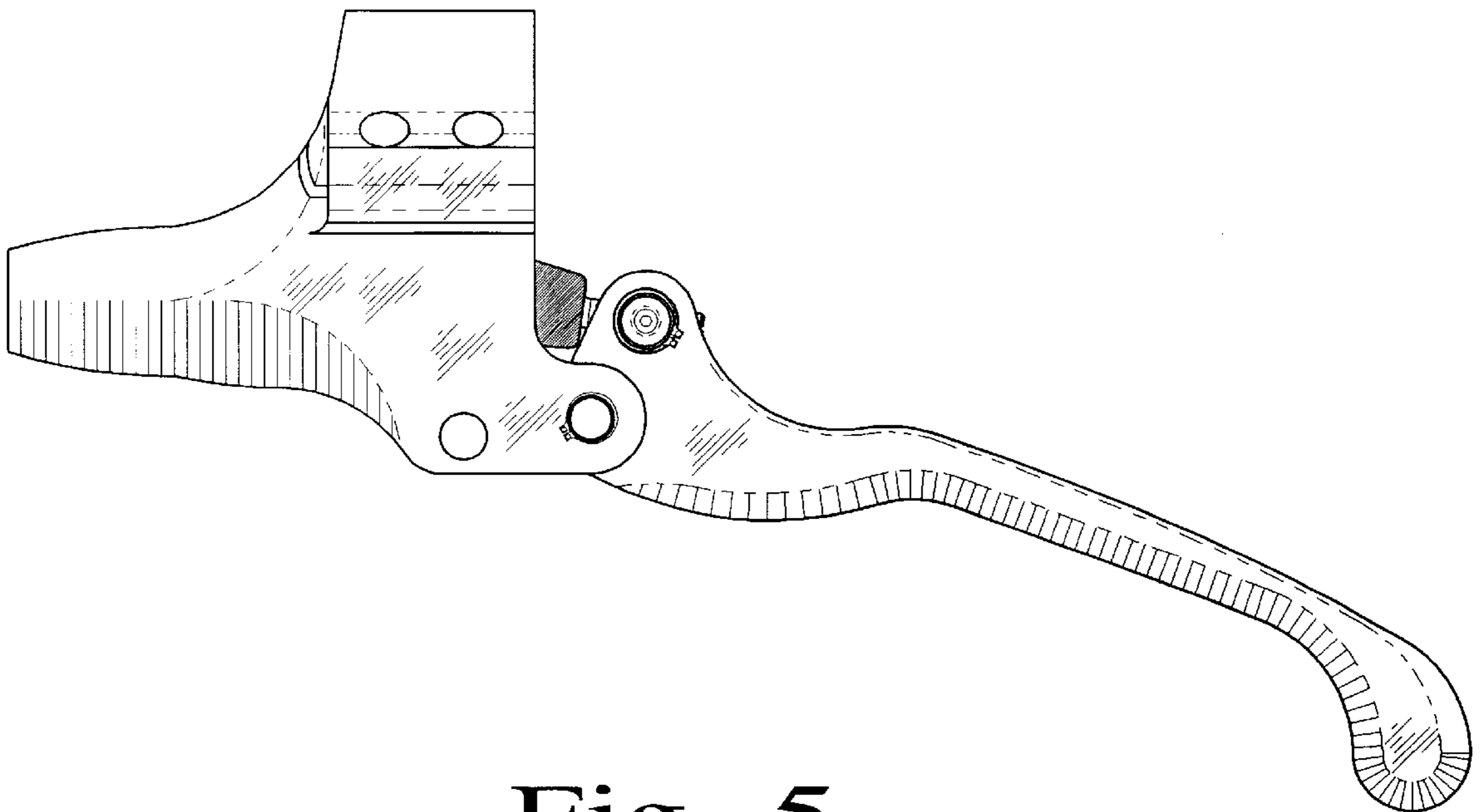


Fig. 5

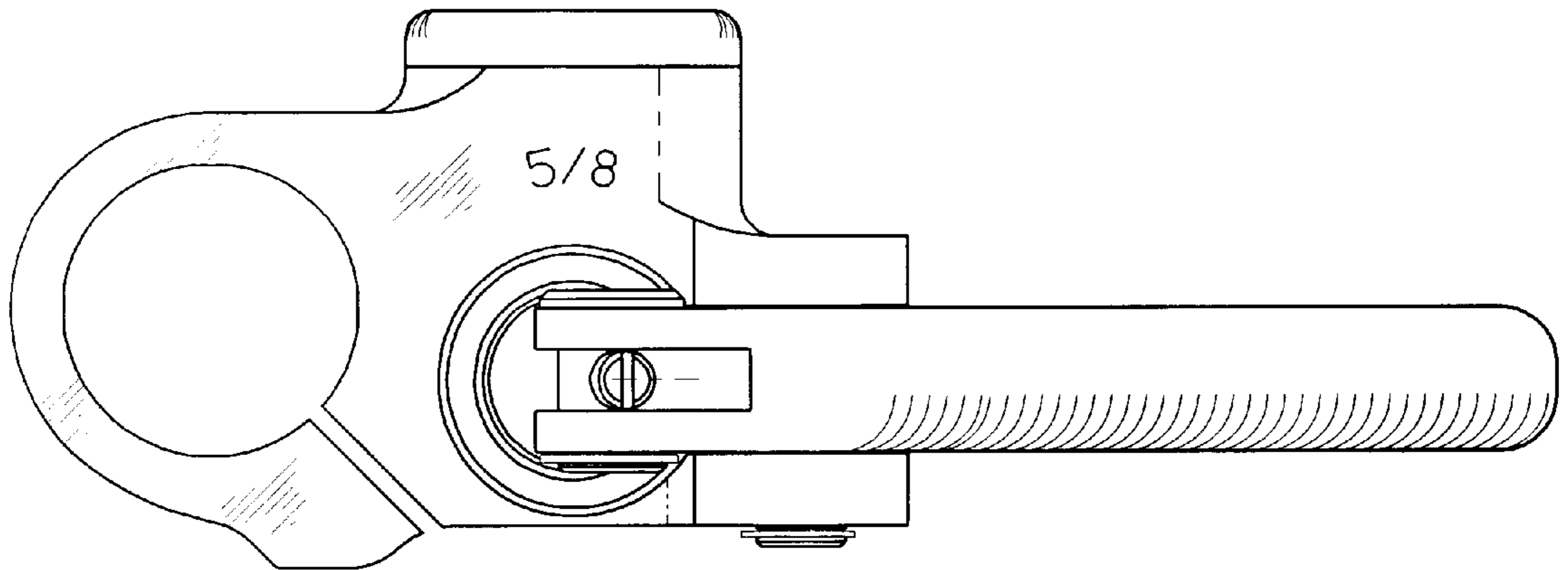


Fig. 6

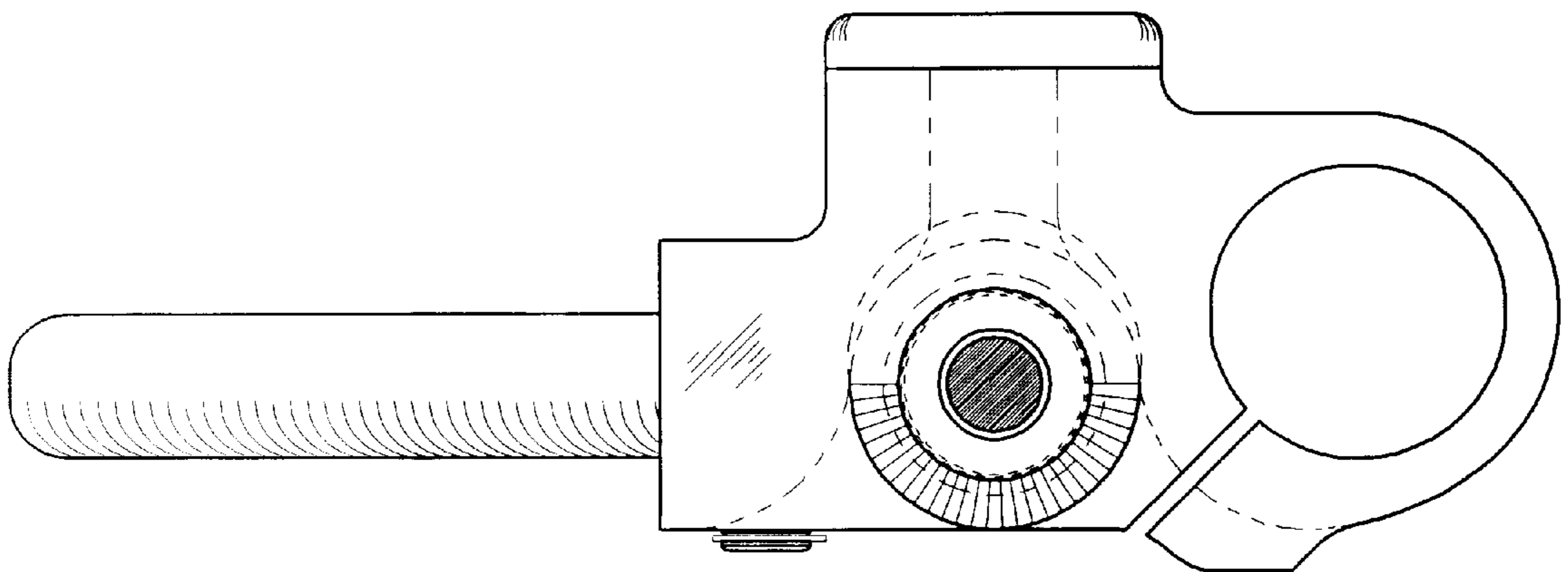


Fig. 7