



US00D425455S

United States Patent [19]

Vann et al.

[11] Patent Number: **Des. 425,455**

[45] Date of Patent: **** May 23, 2000**

[54] **STRETCHER**

[76] Inventors: **Blake Vann**, 96 Williamsburg Rd., Columbia, Miss. 39429; **John Stamps**, Rte. 1, Box 149, Carson, Miss. 39427; **Millard Van**, 405 Old Foxworth Rd., Columbia, Miss. 39429

[**] Term: **14 Years**

[21] Appl. No.: **29/108,465**

[22] Filed: **Jul. 28, 1999**

[51] **LOC (7) Cl.** **12-12**

[52] **U.S. Cl.** **D12/128**

[58] **Field of Search** D12/128, 132, D12/133; 5/627, 424; 16/326, 327

[56] **References Cited**

U.S. PATENT DOCUMENTS

D. 301,021	5/1989	Dommerud	D12/128
D. 309,589	7/1990	Hare et al.	D12/128
D. 359,809	6/1995	Vann et al.	D24/190
D. 397,643	9/1998	Nicholas	D12/128
3,707,734	1/1973	Matthews	5/627
4,064,574	12/1977	Schnitzler	5/627
4,536,930	8/1985	Parker	5/61
4,670,921	6/1987	Avni et al.	5/627
4,793,008	12/1988	Johansson	5/81 R
4,872,226	10/1989	Lonardo	5/61
4,908,889	3/1990	Lonardo	5/81 R
5,005,231	4/1991	Lonardo	5/61

5,138,731	8/1992	Harcrow, Jr.	5/625
5,165,122	11/1992	Phalen	5/81.1
5,214,813	6/1993	Gastle et al.	5/625
5,333,335	8/1994	Gastle et al.	5/625
5,441,789	8/1995	Walker	428/78
5,442,821	8/1995	Weeks	5/81.1
5,511,255	4/1996	Schuerch	5/81.1
5,615,425	4/1997	Corente	5/81.1 T
5,638,558	6/1997	Moore	5/81.1
5,720,303	2/1998	Richardson	128/870

FOREIGN PATENT DOCUMENTS

2672	11/1918	Netherlands	5/82
------	---------	-------------	-------	------

Primary Examiner—Kay H. Chin
Attorney, Agent, or Firm—Garvey, Smith, Nehrbass & Doody, LLC

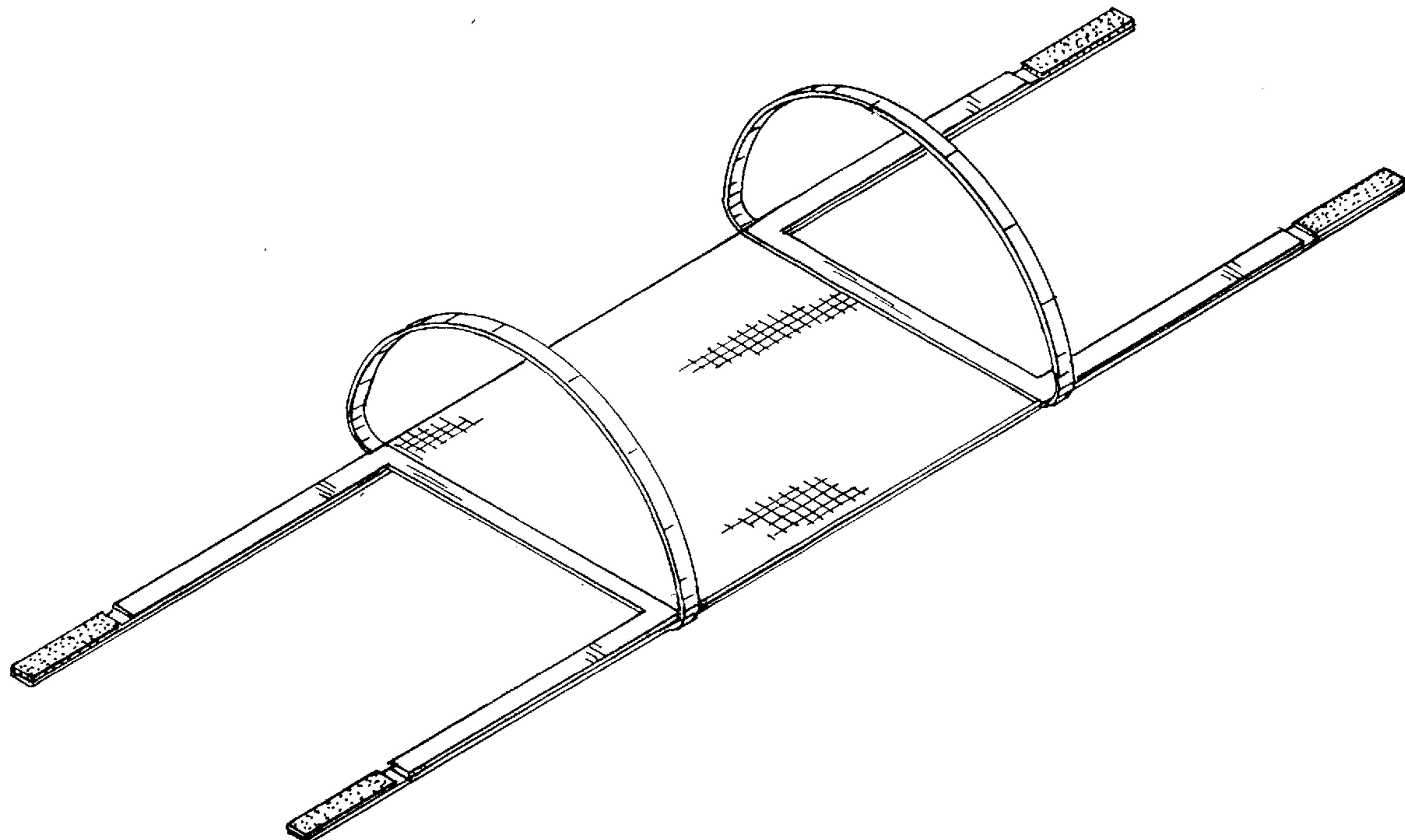
[57] **CLAIM**

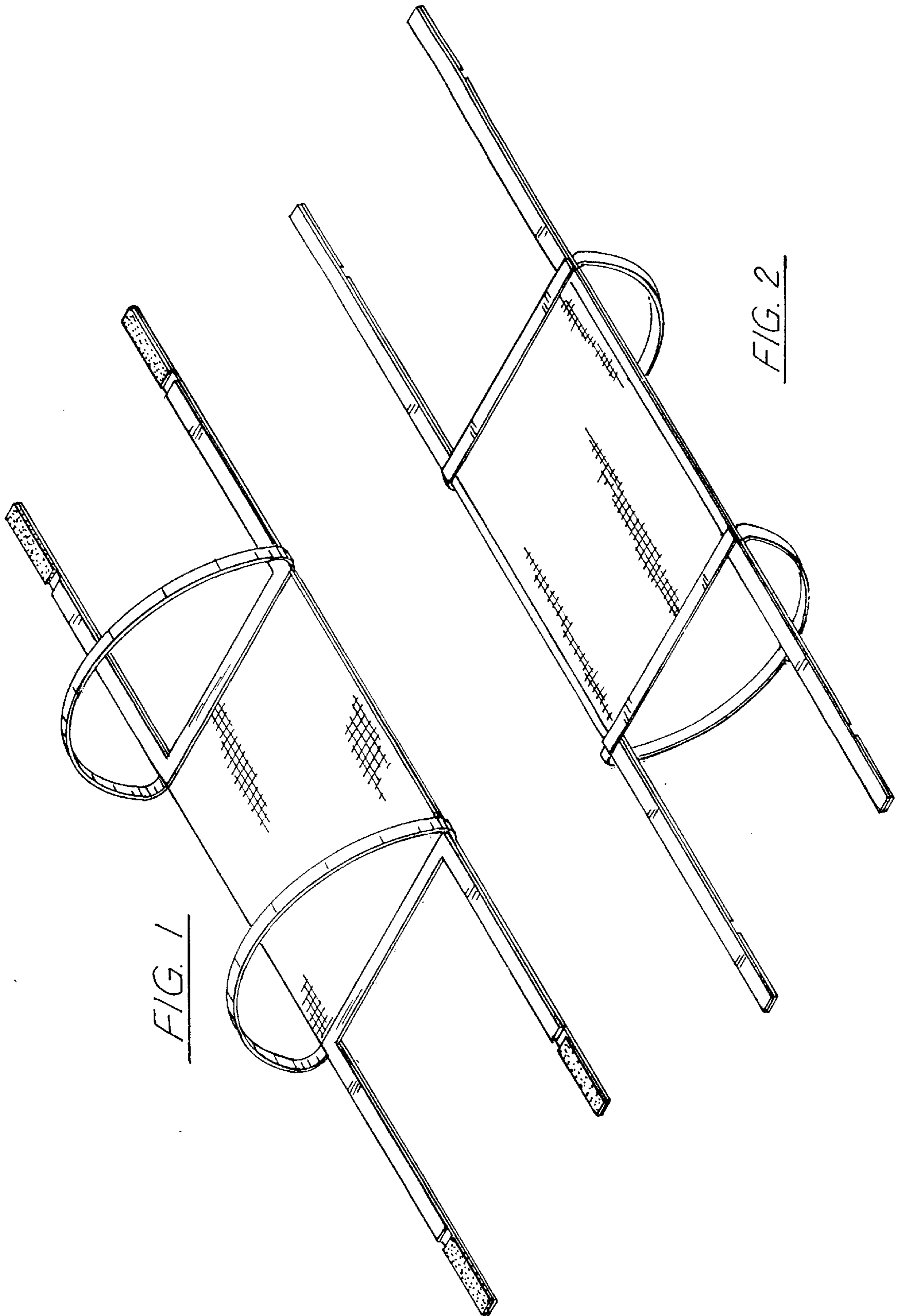
The ornamental design for a stretcher, as shown and described.

DESCRIPTION

FIG. 1 is a top perspective view of a stretcher showing our new design;
FIG. 2 is a bottom perspective view thereof;
FIG. 3 is a top plan view thereof;
FIG. 4 is a bottom plan view thereof;
FIG. 5 is a left/right side elevational view thereof; and,
FIG. 6 is an end plan view thereof.

1 Claim, 2 Drawing Sheets





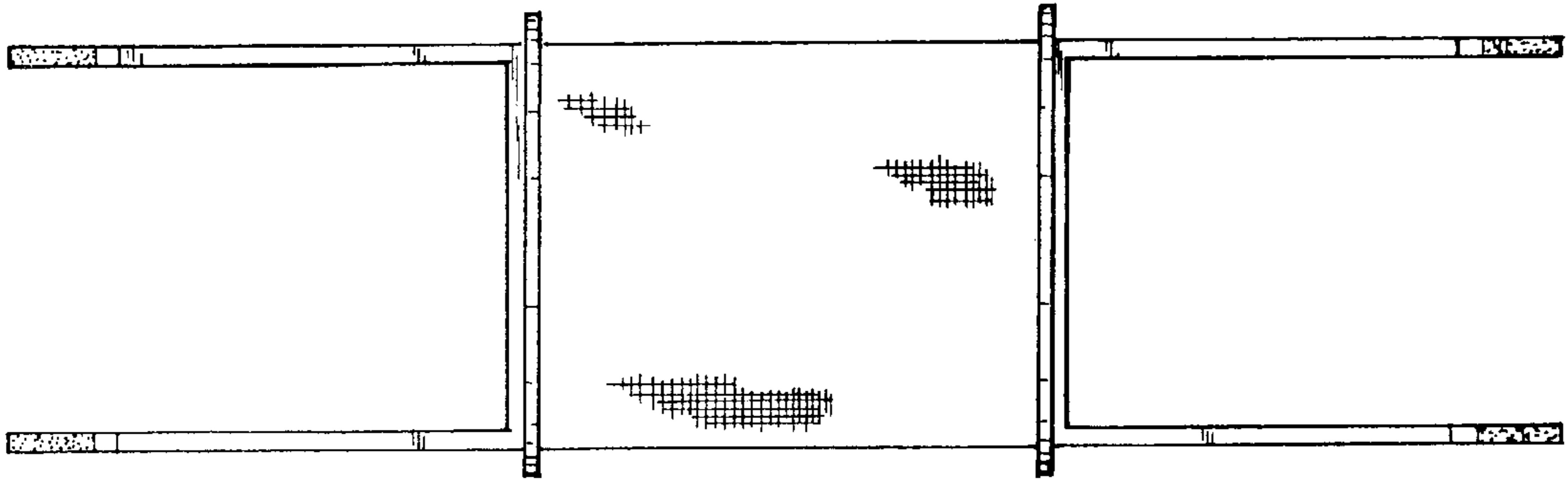


FIG. 3

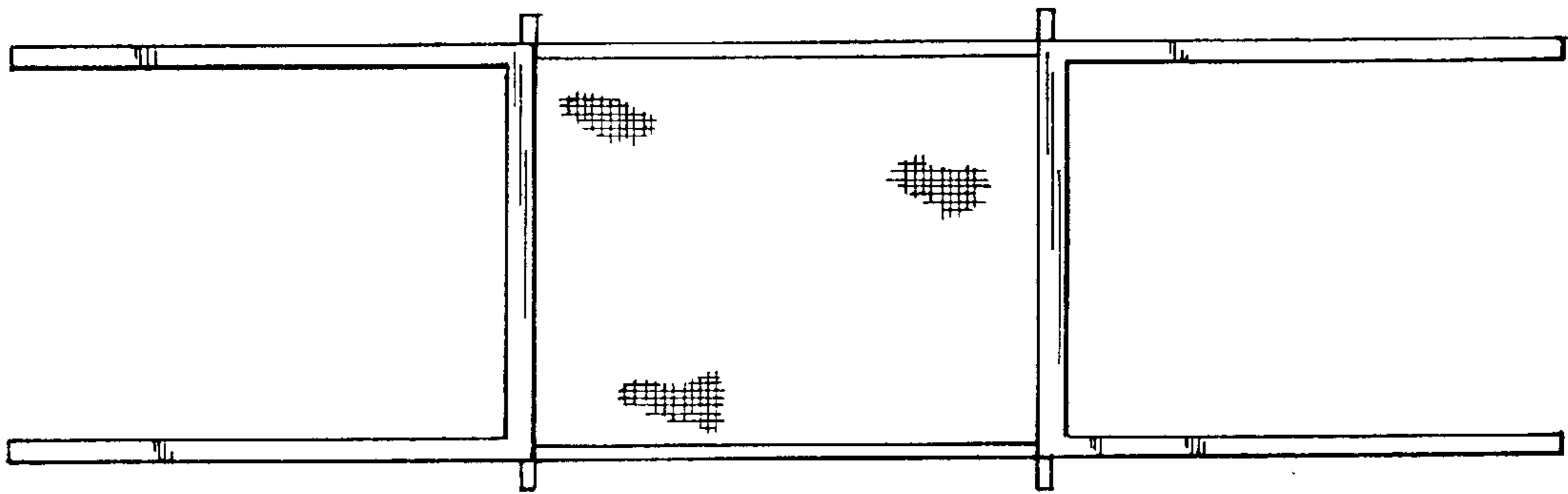


FIG. 4

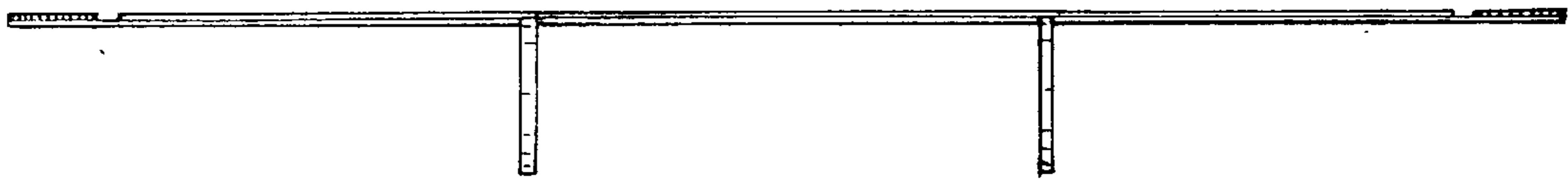


FIG. 5

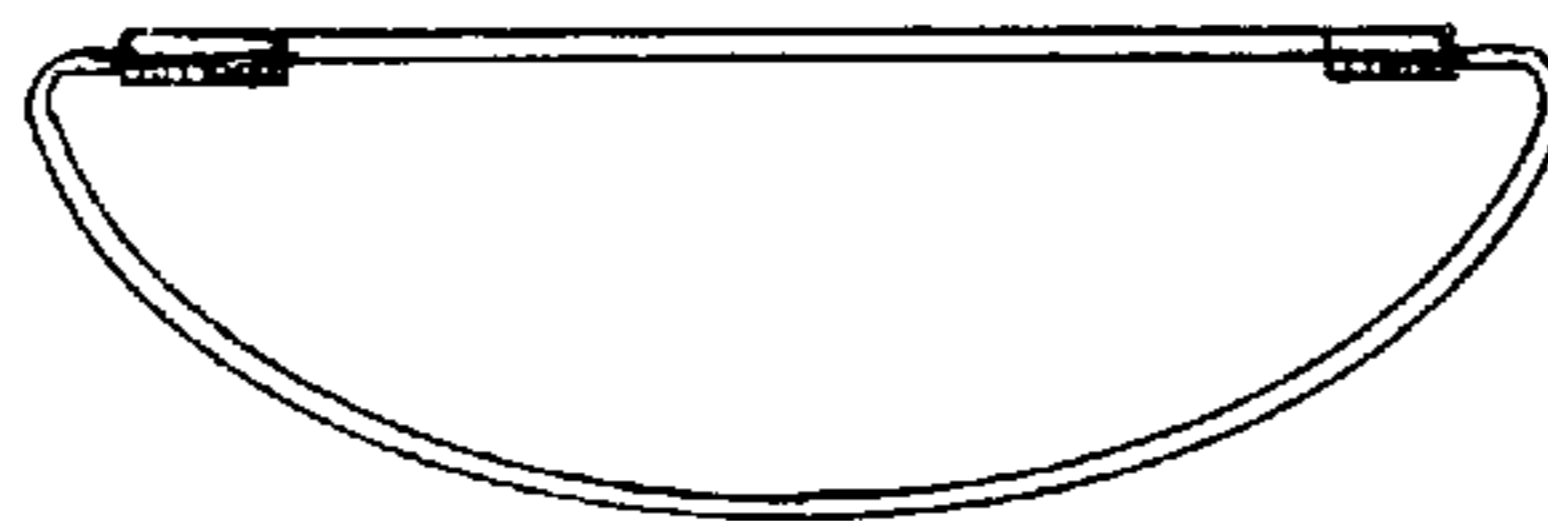


FIG. 6