



US00D425452S

United States Patent [19]

Mon et al.

[11] Patent Number: **Des. 425,452**

[45] Date of Patent: **** May 23, 2000**

[54] ALL TERRAIN VEHICLE

[75] Inventors: **Tzong-Hwa Mon; Mei-Rong Tzow; Der-Bao Hsu; Shiao-Dong Guo**, all of Hainan, China

[73] Assignee: **Century Limited**, San Jose, Calif.

[**] Term: **14 Years**

[21] Appl. No.: **29/112,681**

[22] Filed: **Oct. 21, 1999**

[51] LOC (7) Cl. **12-11**

[52] U.S. Cl. **D12/107**

[58] Field of Search D12/107, 3; 180/233, 180/311, 315, 312, 225, 229

[56] **References Cited**

U.S. PATENT DOCUMENTS

- D. 298,744 11/1988 Saito et al. D12/107
- D. 299,707 2/1989 Makita et al. D12/107

- D. 327,457 6/1992 Saito D12/107
- D. 330,694 11/1992 Kimura et al. D12/107
- D. 412,464 8/1999 Ichihara et al. D12/107

Primary Examiner—Melody N. Brown
Attorney, Agent, or Firm—Chien-Wei (Chris) Chou; Oppenheimer Wolff & Donnelly LLP

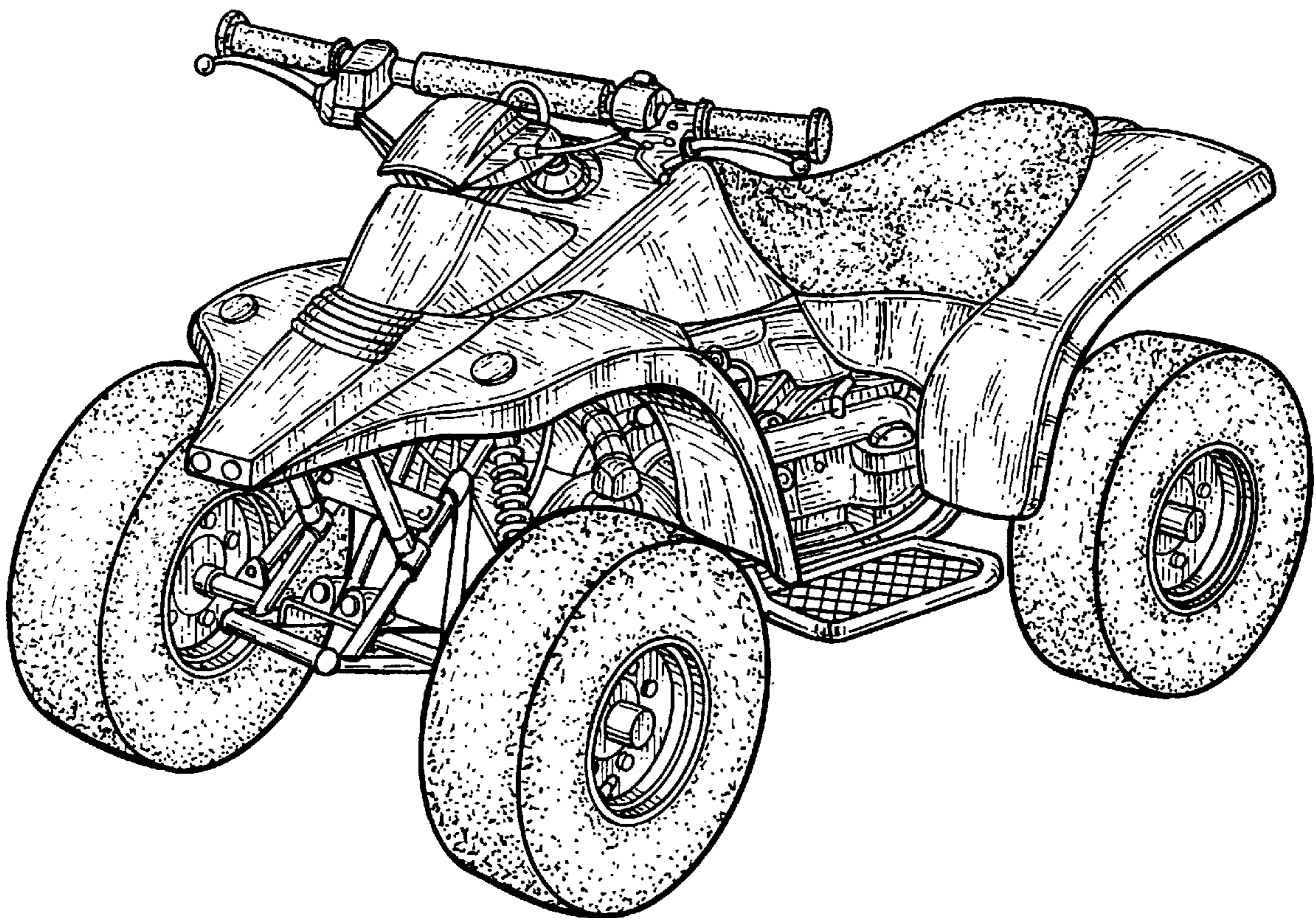
[57] **CLAIM**

The ornamental design for an all terrain vehicle, as shown and described.

DESCRIPTION

FIG. 1 is a front/right/top perspective view of an all terrain vehicle showing our new design; FIG. 2 is a right side elevation view thereof; FIG. 3 is a left side elevation view thereof; FIG. 4 is a front elevation view thereof; FIG. 5 is a rear elevation view thereof; FIG. 6 is a top view thereof; and, FIG. 7 is a bottom view thereof.

1 Claim, 4 Drawing Sheets



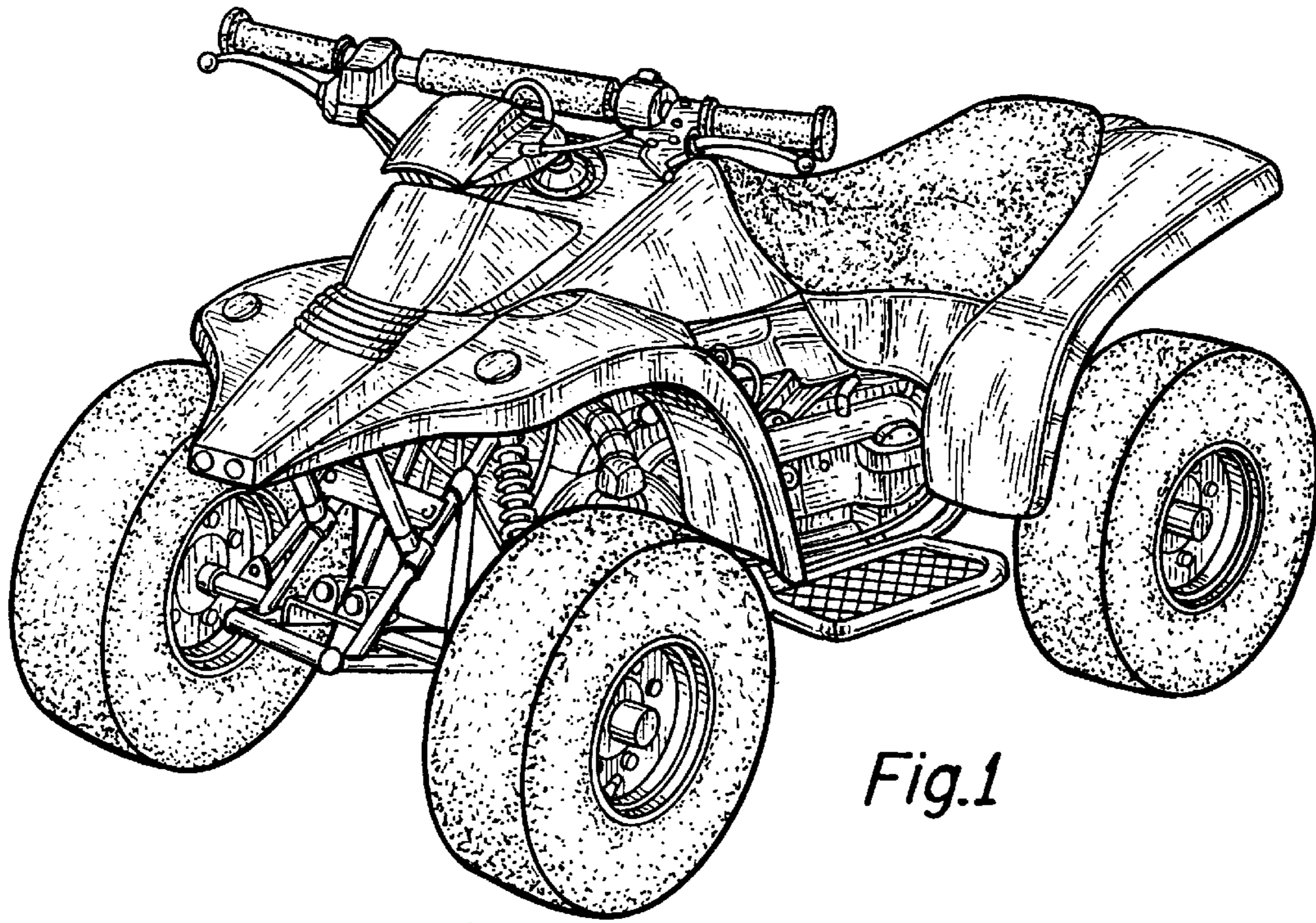


Fig.1

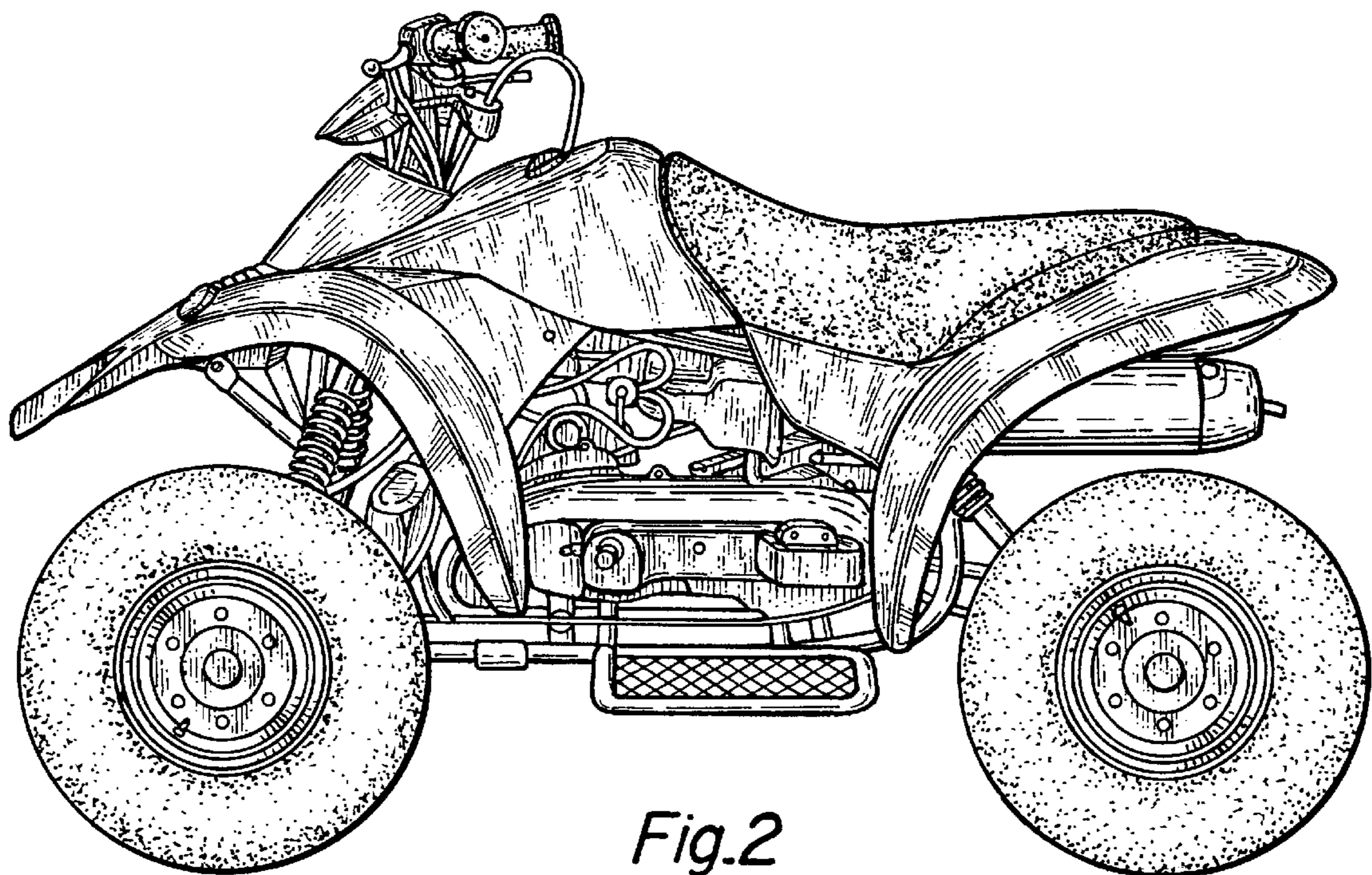


Fig.2

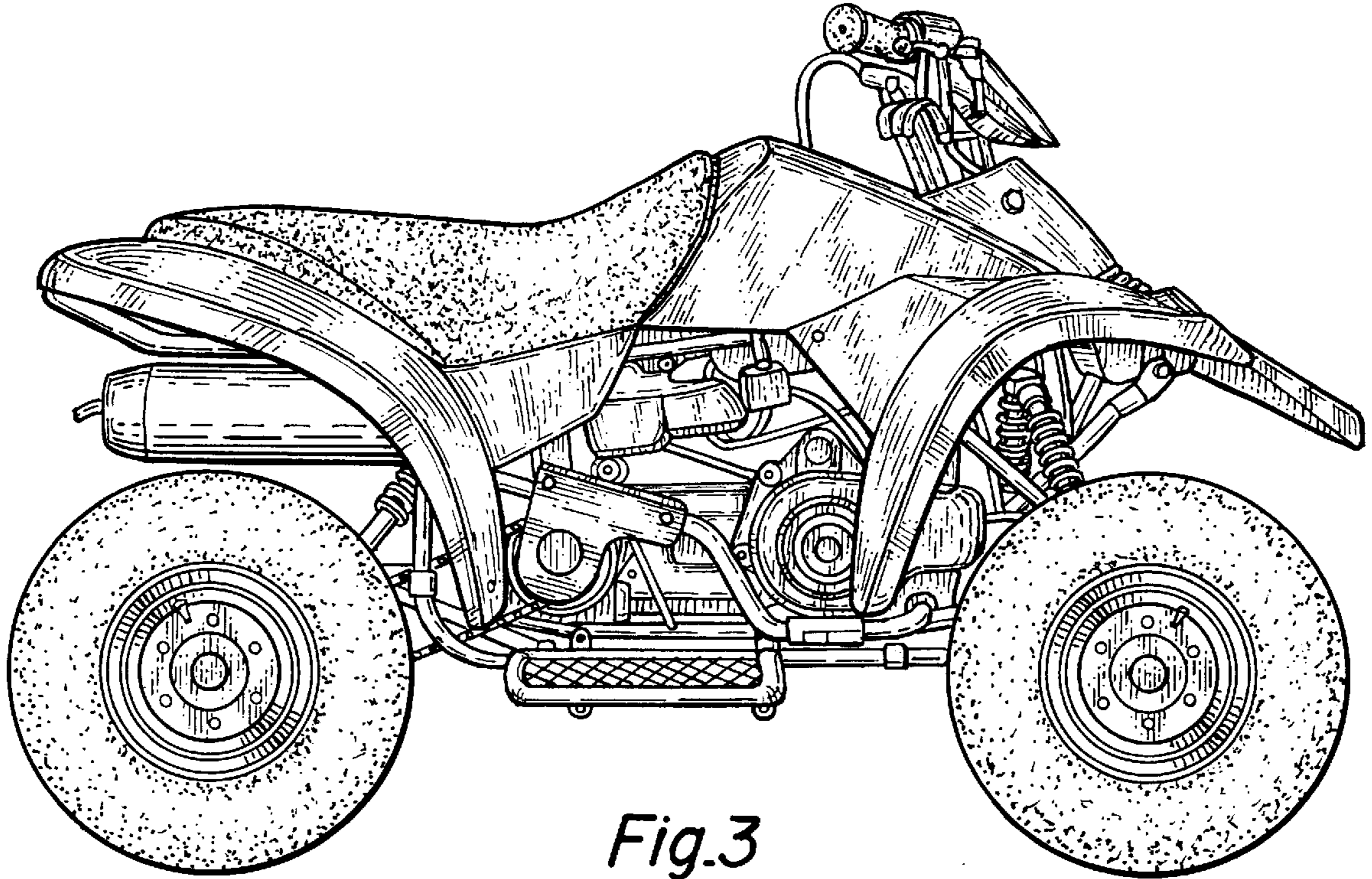


Fig.3

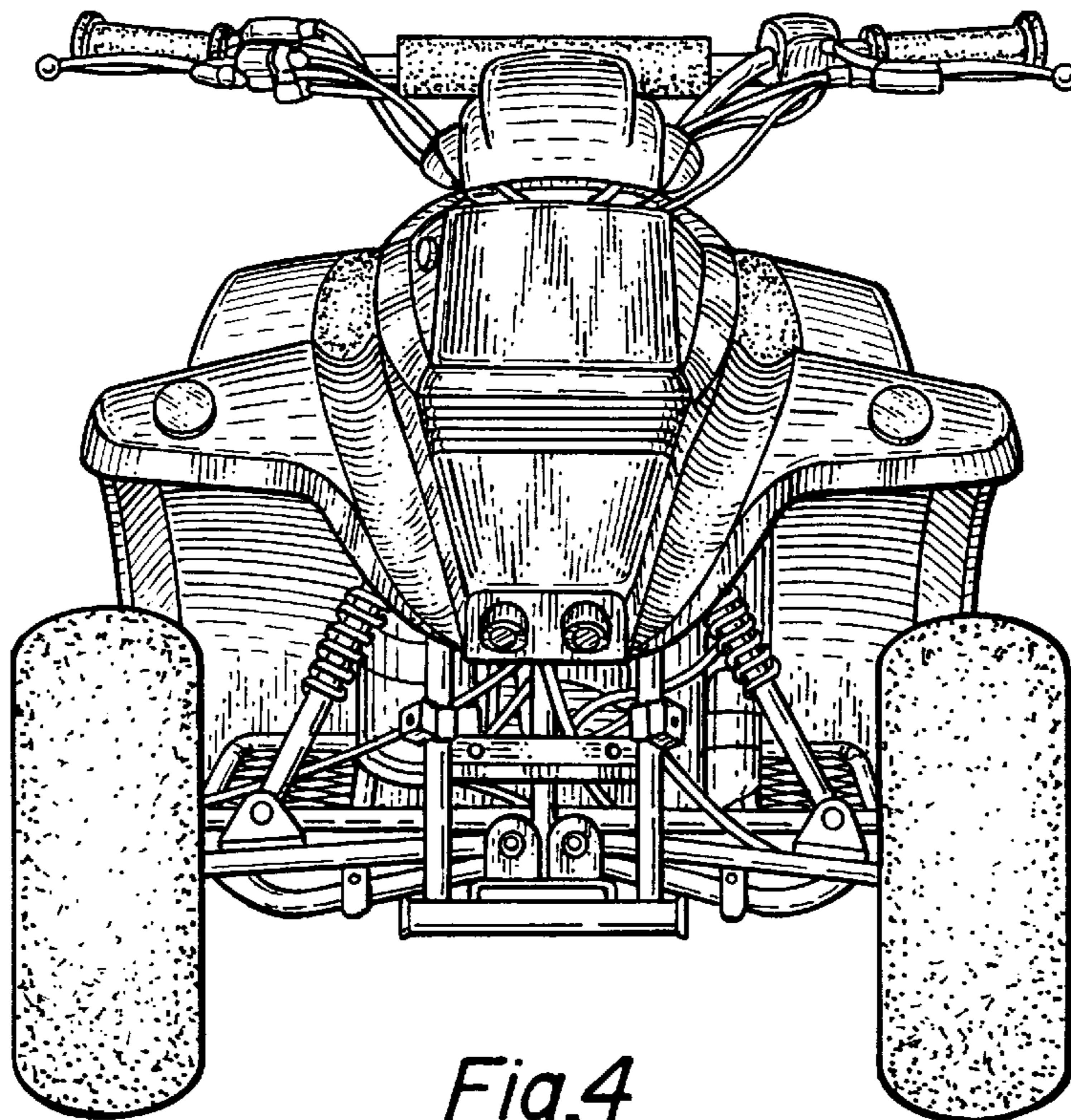


Fig.4

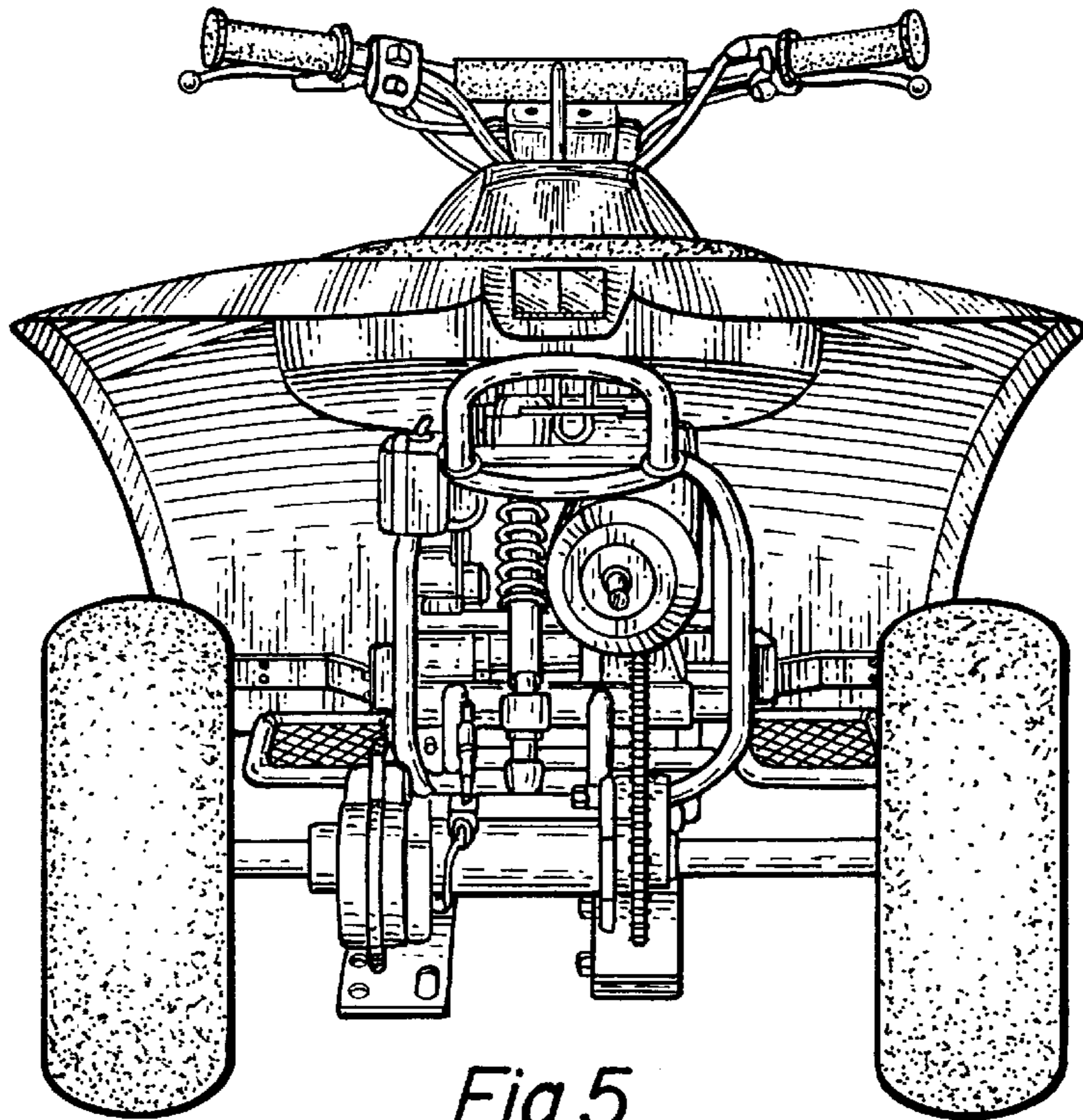


Fig. 5

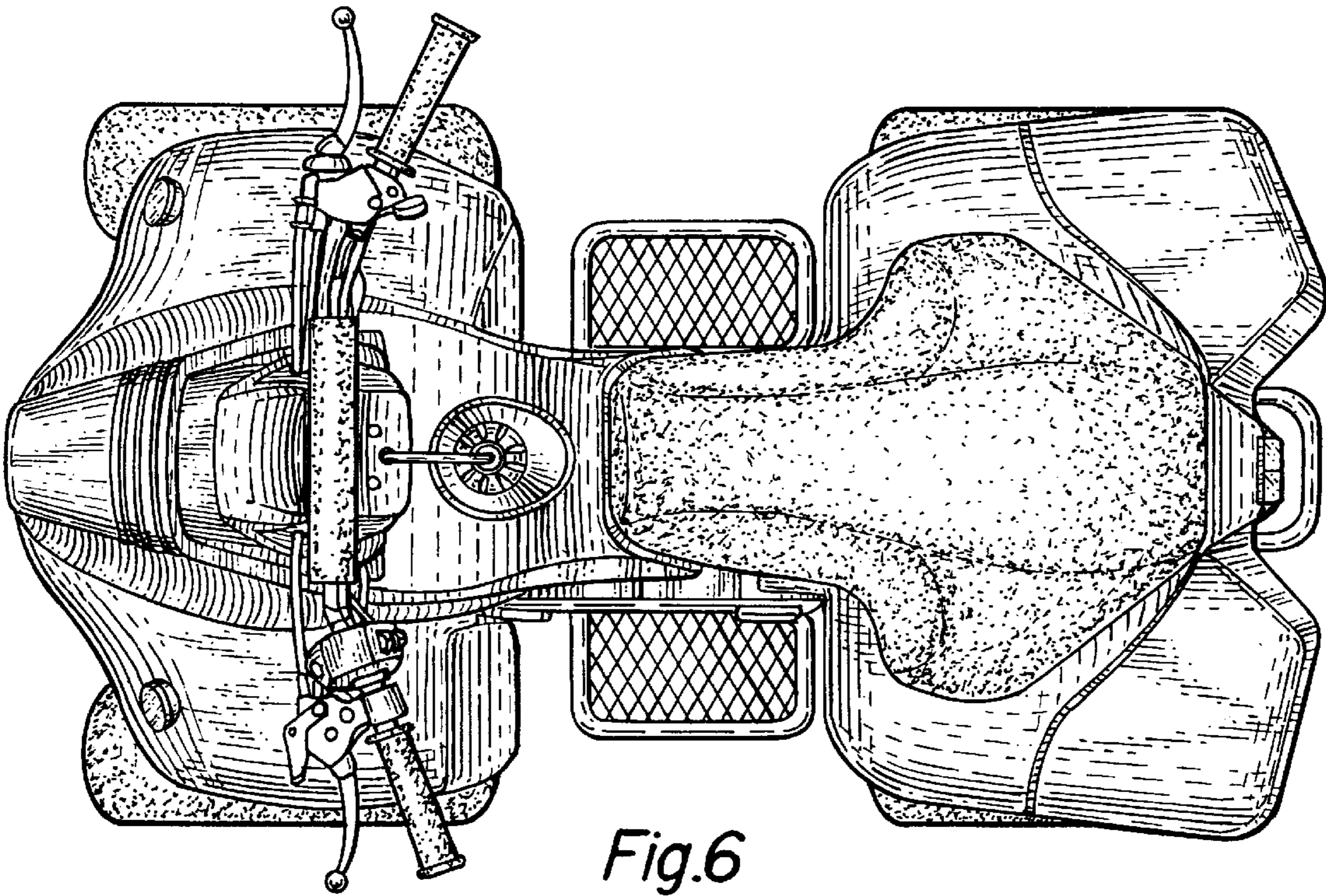


Fig. 6

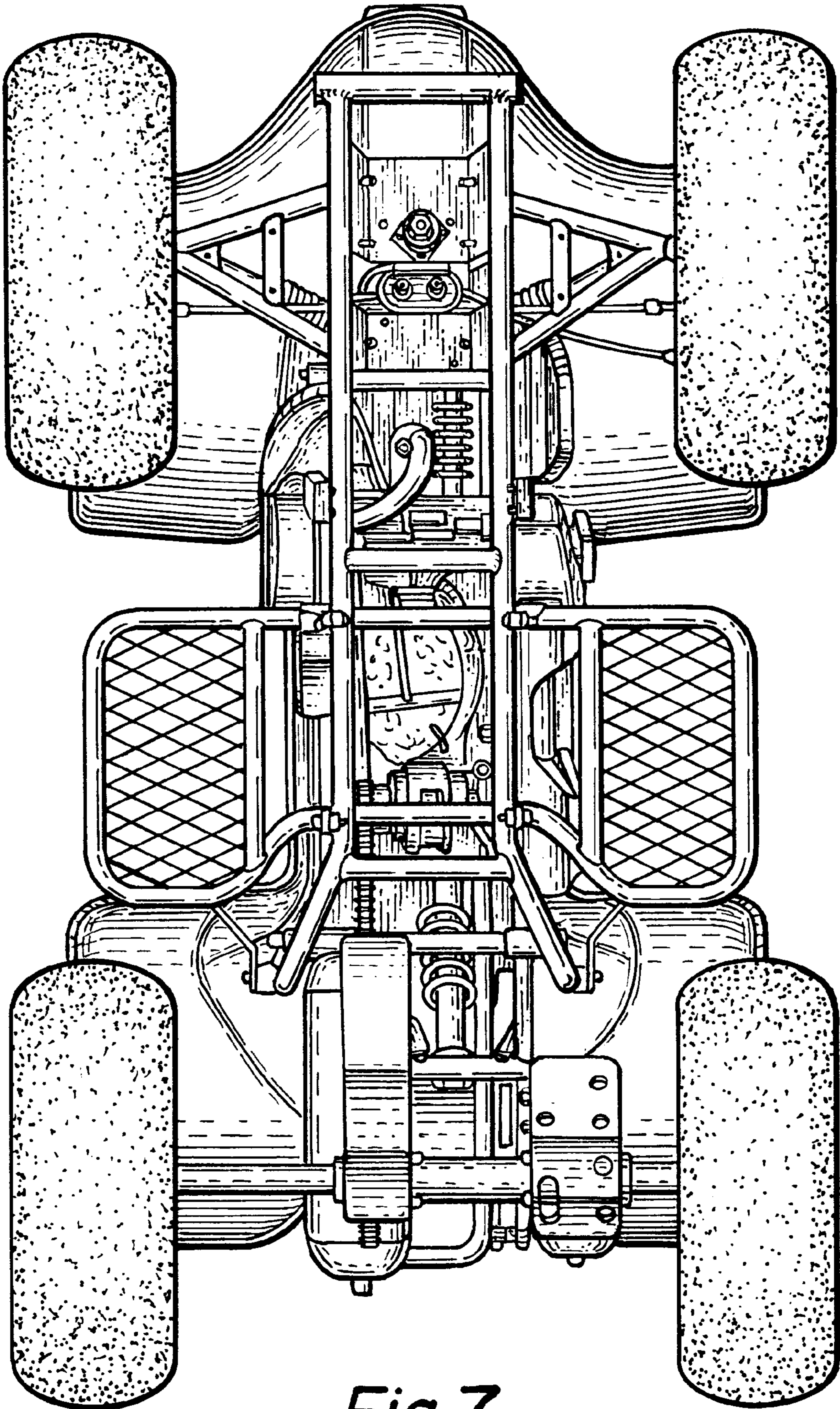


Fig. 7