



US00D425451S

**United States Patent** [19]  
**Ewringmann**

[11] **Patent Number: Des. 425,451**  
[45] **Date of Patent: \*\* May 23, 2000**

[54] **PEDAL DRIVEN VEHICLE**

[75] Inventor: **Ulrich Ewringmann**, Taufkirchen,  
Germany

[73] Assignee: **Franz Schneider GmbH & Co. KG**,  
Germany

[\*\*] Term: **14 Years**

[21] Appl. No.: **29/082,724**

[22] Filed: **Jan. 28, 1998**

[30] **Foreign Application Priority Data**

Nov. 13, 1997 [DE] Germany ..... M97 10 621

[51] **LOC (7) Cl.** ..... **12-11**

[52] **U.S. Cl.** ..... **D12/107**

[58] **Field of Search** ..... D12/107, 14; D21/433;  
180/233, 311, 312, 315

[56] **References Cited**

**U.S. PATENT DOCUMENTS**

D. 325,360 4/1992 Saito et al. .... D12/107  
D. 342,701 12/1993 Murata et al. .... D12/107

*Primary Examiner*—Melody N. Brown  
*Attorney, Agent, or Firm*—Juettner Pyle & Piontek

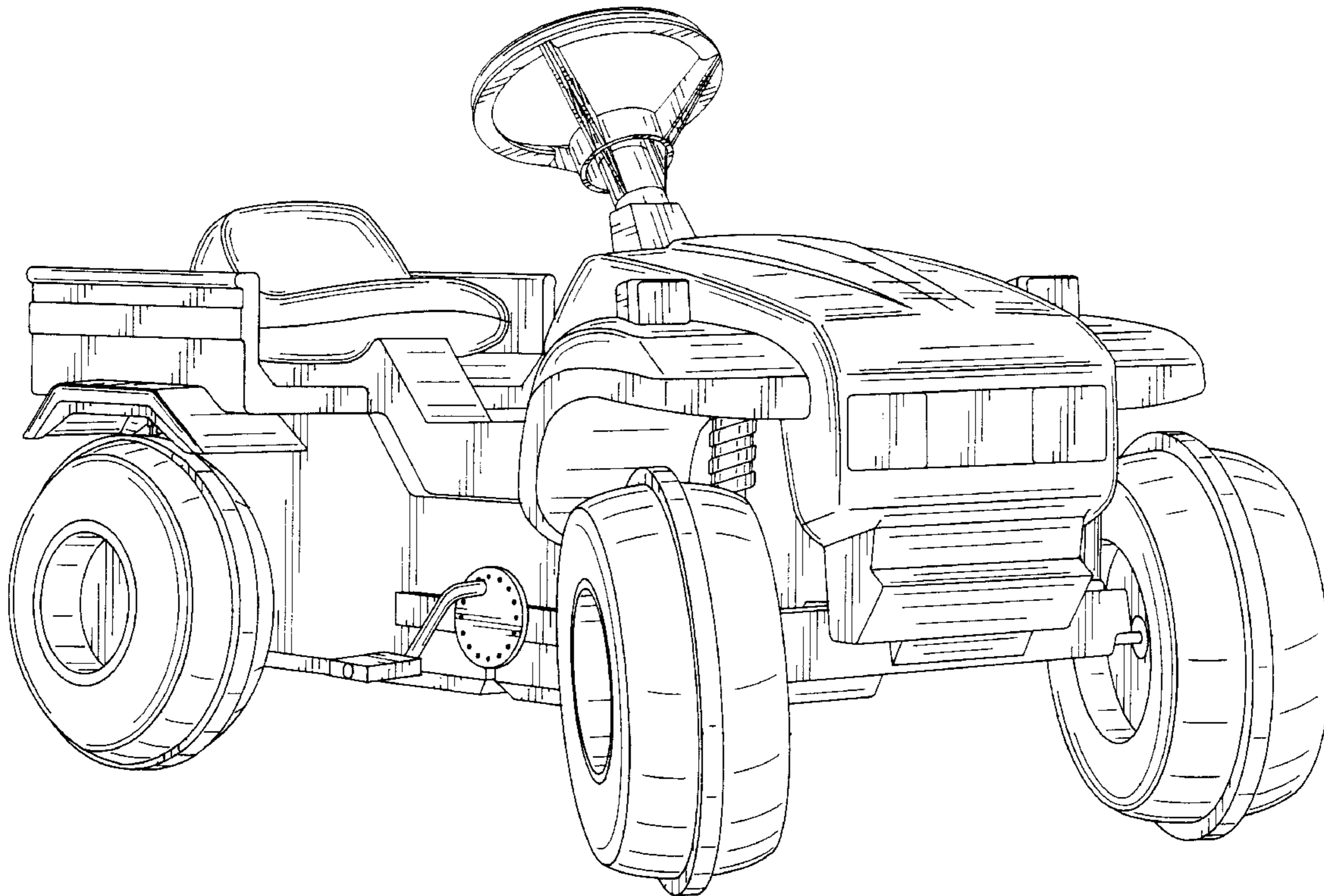
[57] **CLAIM**

I claim the ornamental design for a pedal driven vehicle, as shown.

**DESCRIPTION**

FIG. 1 is a side view of the pedal driven vehicle.  
FIG. 2 is a front view thereof.  
FIG. 3 is a perspective view thereof.  
FIG. 4 is a top view thereof; and,  
FIG. 5 is a rear view thereof.

**1 Claim, 5 Drawing Sheets**



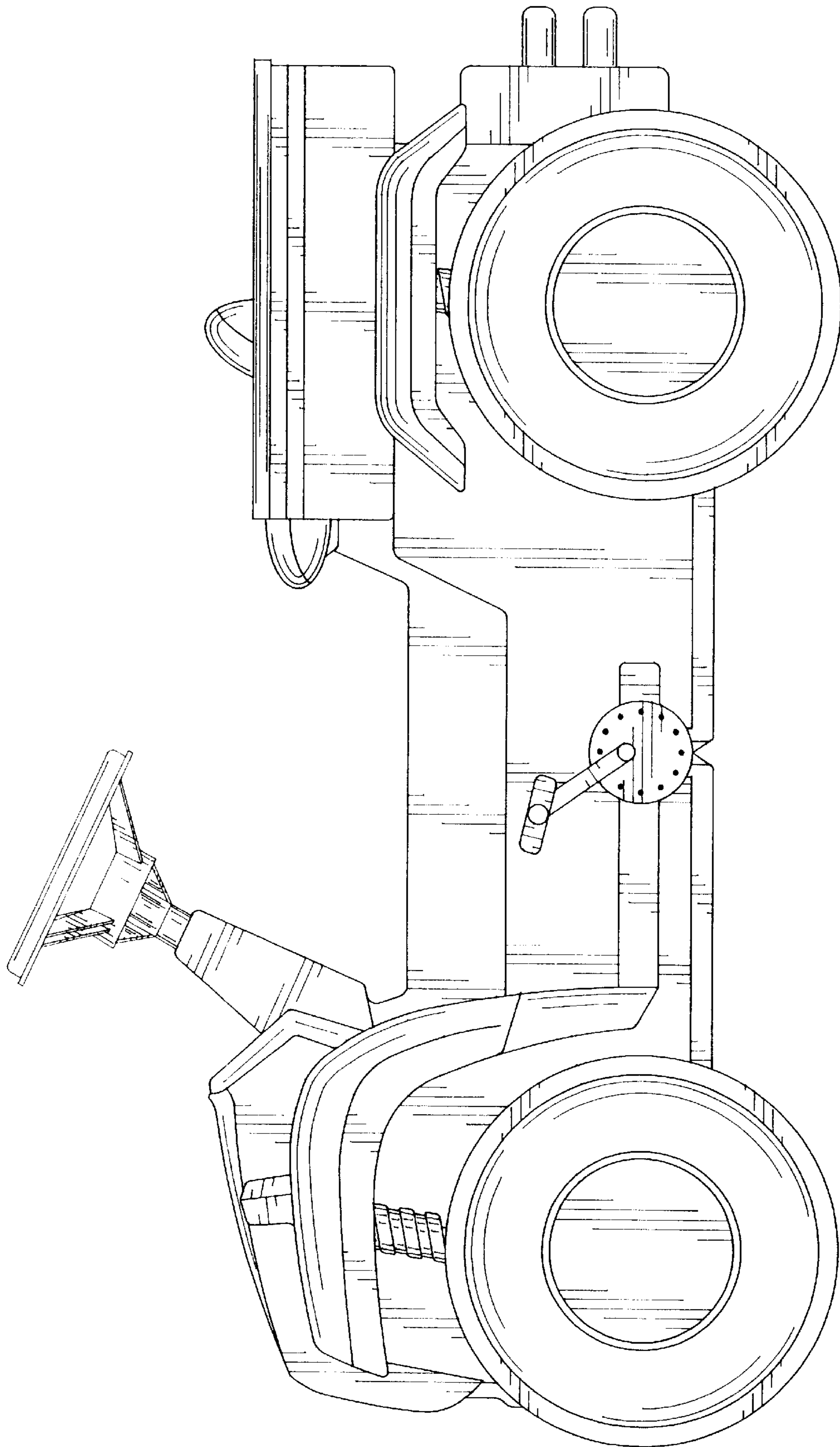


FIG. 1

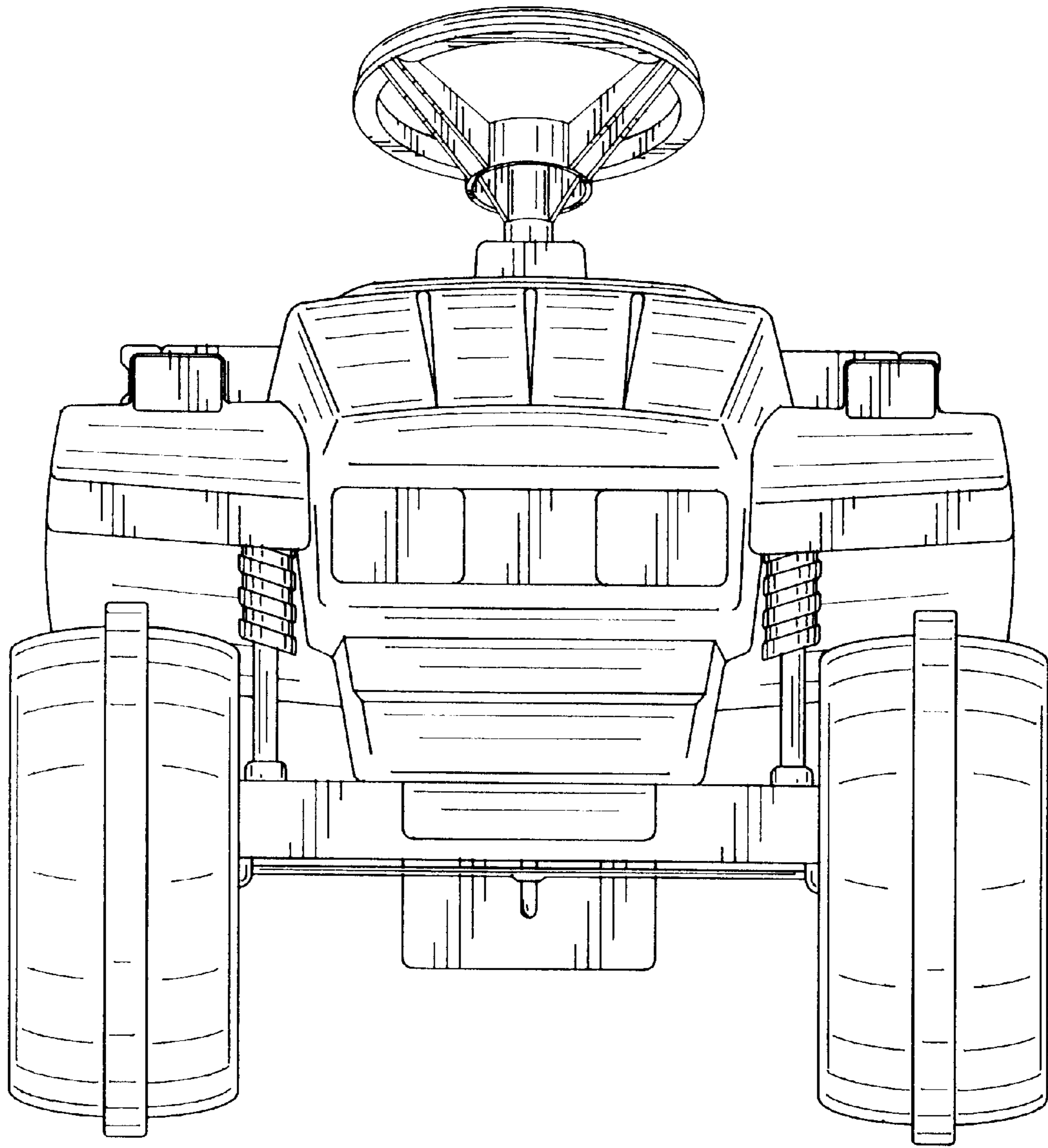


FIG. 2

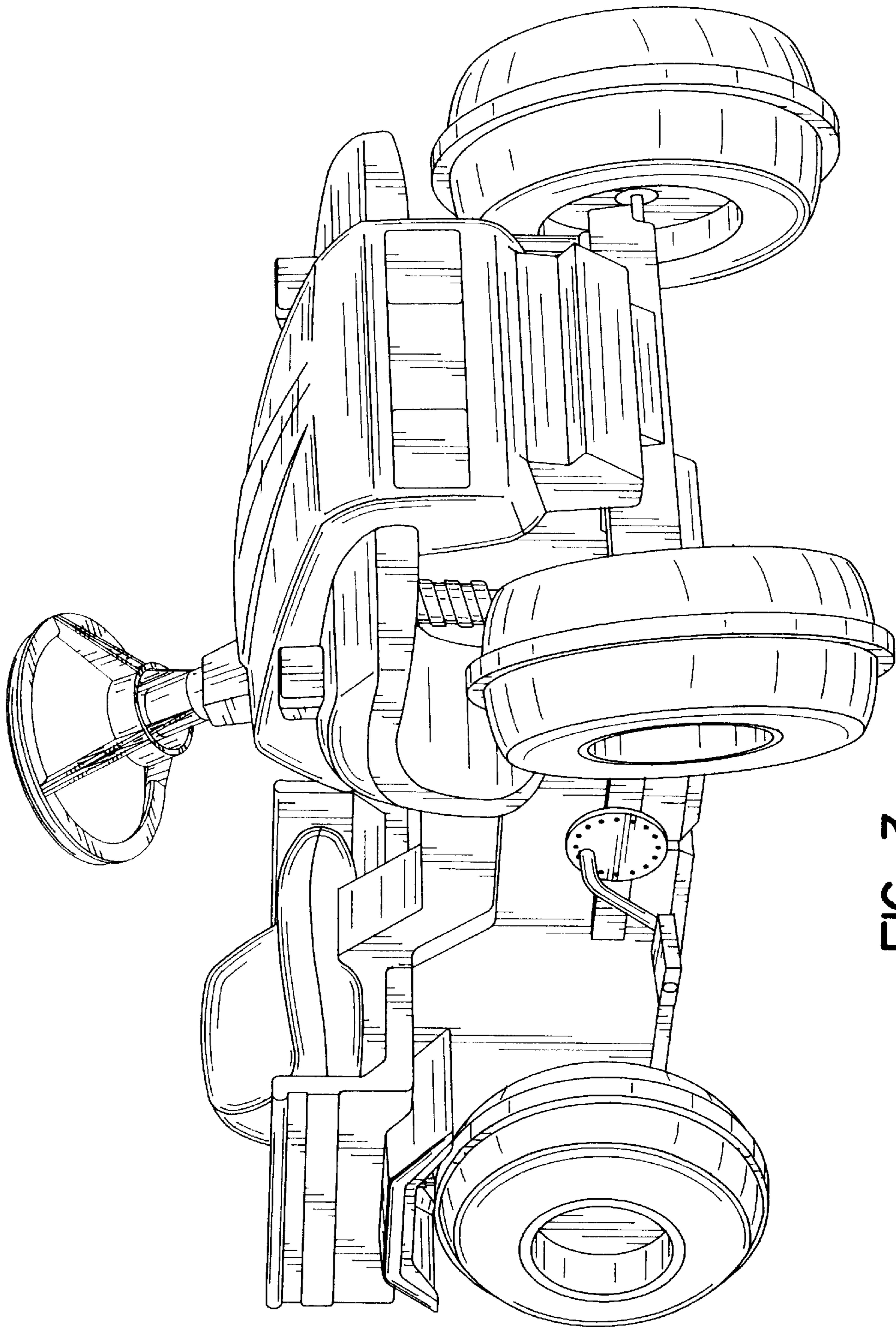


FIG. 3

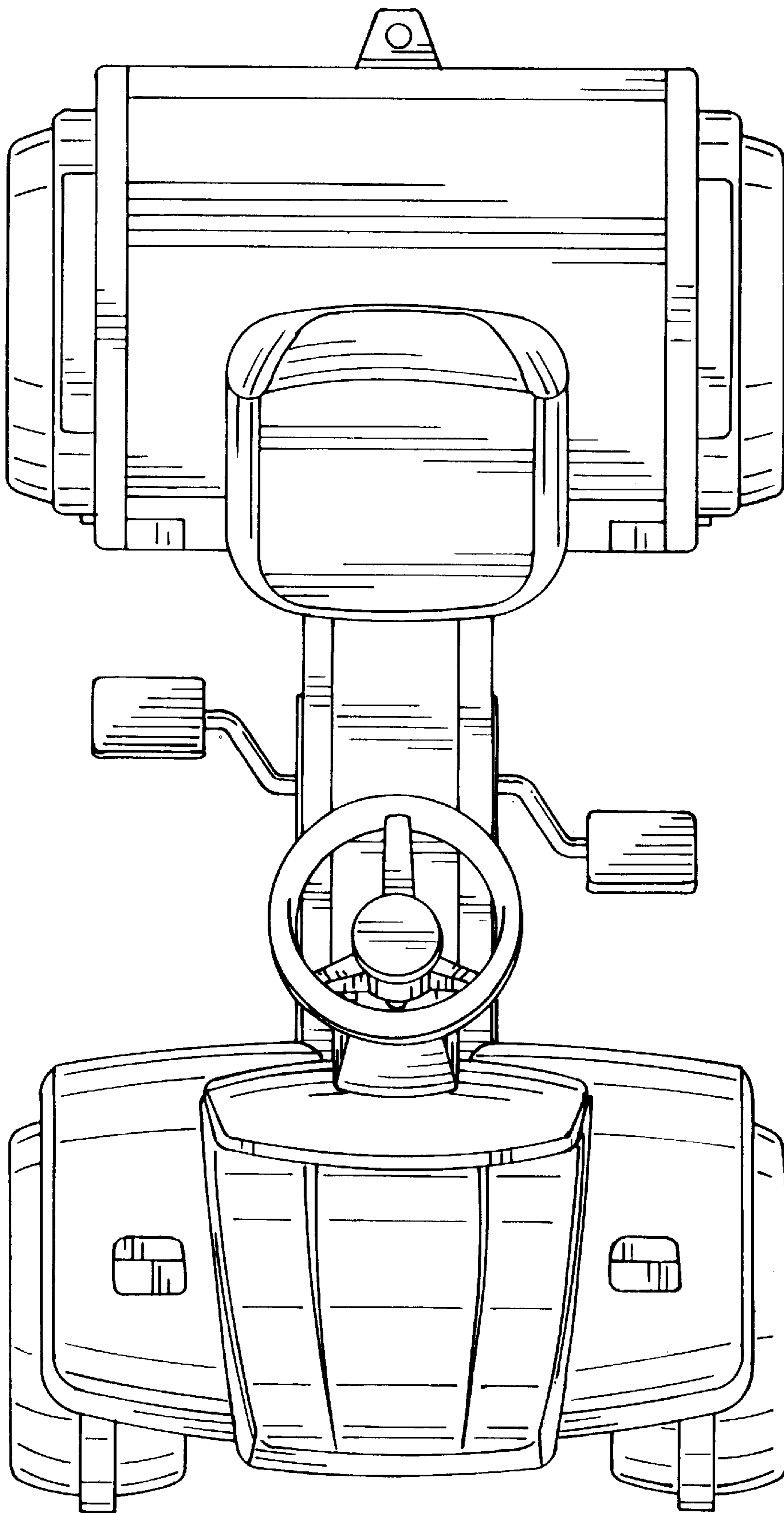


FIG. 4

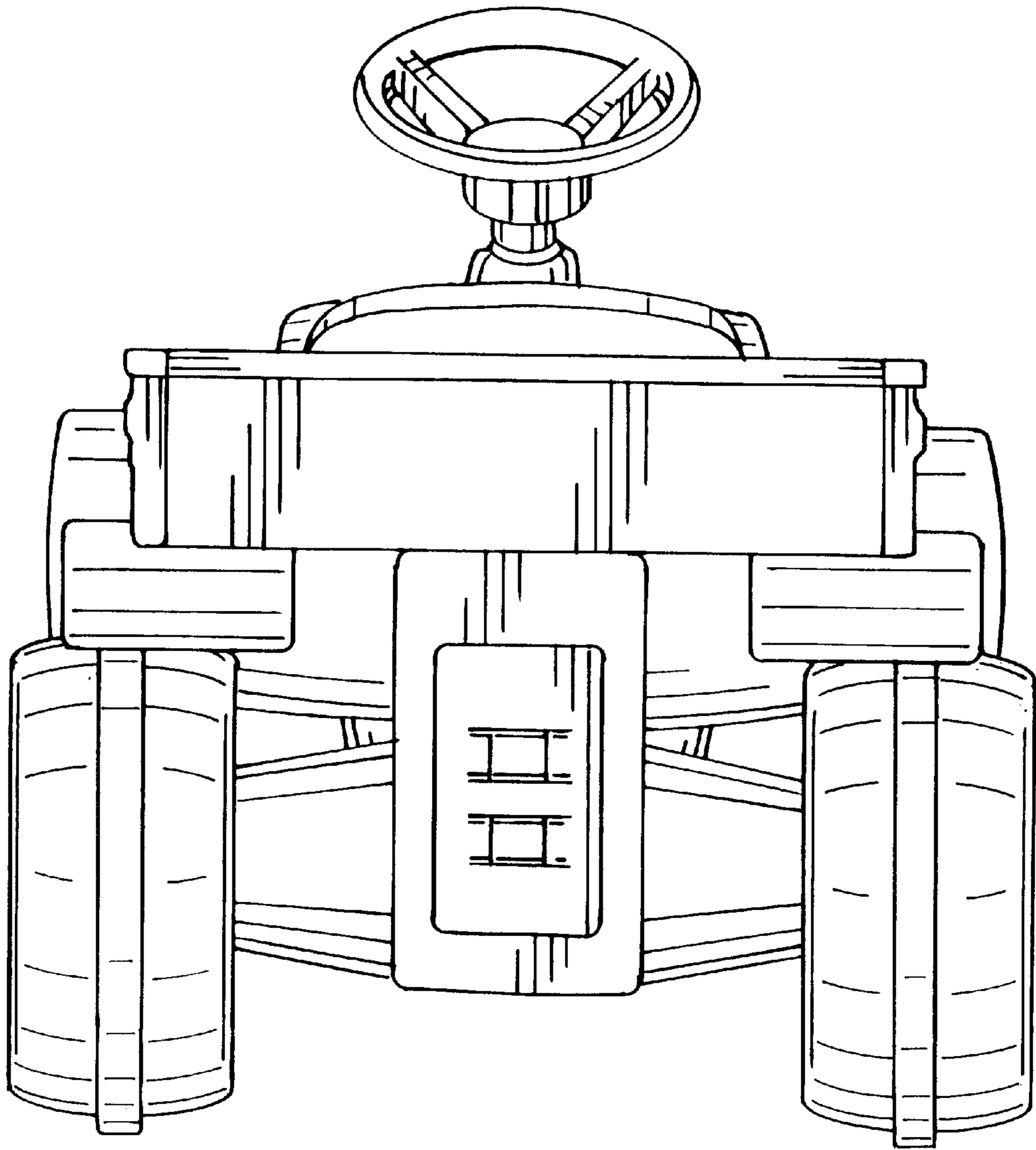


FIG. 5