



US00D425447S

United States Patent [19] Hsieh

[11] **Patent Number: Des. 425,447**

[45] **Date of Patent: ** May 23, 2000**

[54] **POWER GOLF BAG CARRIER**
[76] Inventor: **Danizl Chao-Chih Hsieh**, 17 Junction Road, Wahroonga N.S.W. 2076, Australia

4,289,324 9/1981 Nemeth 280/38
4,936,598 6/1990 Lee 280/645
5,161,635 11/1992 Kiffe 180/19.3
5,180,184 1/1993 Chiu 280/646
5,265,686 11/1993 Machen 180/169

[**] Term: **14 Years**

Primary Examiner—Nelson C. Holtje
Attorney, Agent, or Firm—Dougherty & Troxell

[21] Appl. No.: **29/094,045**

[57] **CLAIM**

[22] Filed: **Sep. 24, 1998**

I claim the ornamental design for a power golf bag carrier, as shown and described.

[51] **LOC (7) Cl.** **12-02**

[52] **U.S. Cl.** **D12/16; D34/15**

[58] **Field of Search** D12/16; D34/15;
280/DIG. 5; 180/216, 19.1, 19.2

DESCRIPTION

[56] **References Cited**

U.S. PATENT DOCUMENTS

D. 285,017	8/1986	Zentis et al.	D34/15
D. 300,577	4/1989	Pope et al.	D34/15
D. 321,964	11/1991	Alterbaum	D34/15
3,232,367	2/1966	York .	
3,896,893	7/1975	Willis	180/19.1

FIG. 1 is a perspective view of power golf bag carrier showing my new design.

FIG. 2 is a left side view thereof.

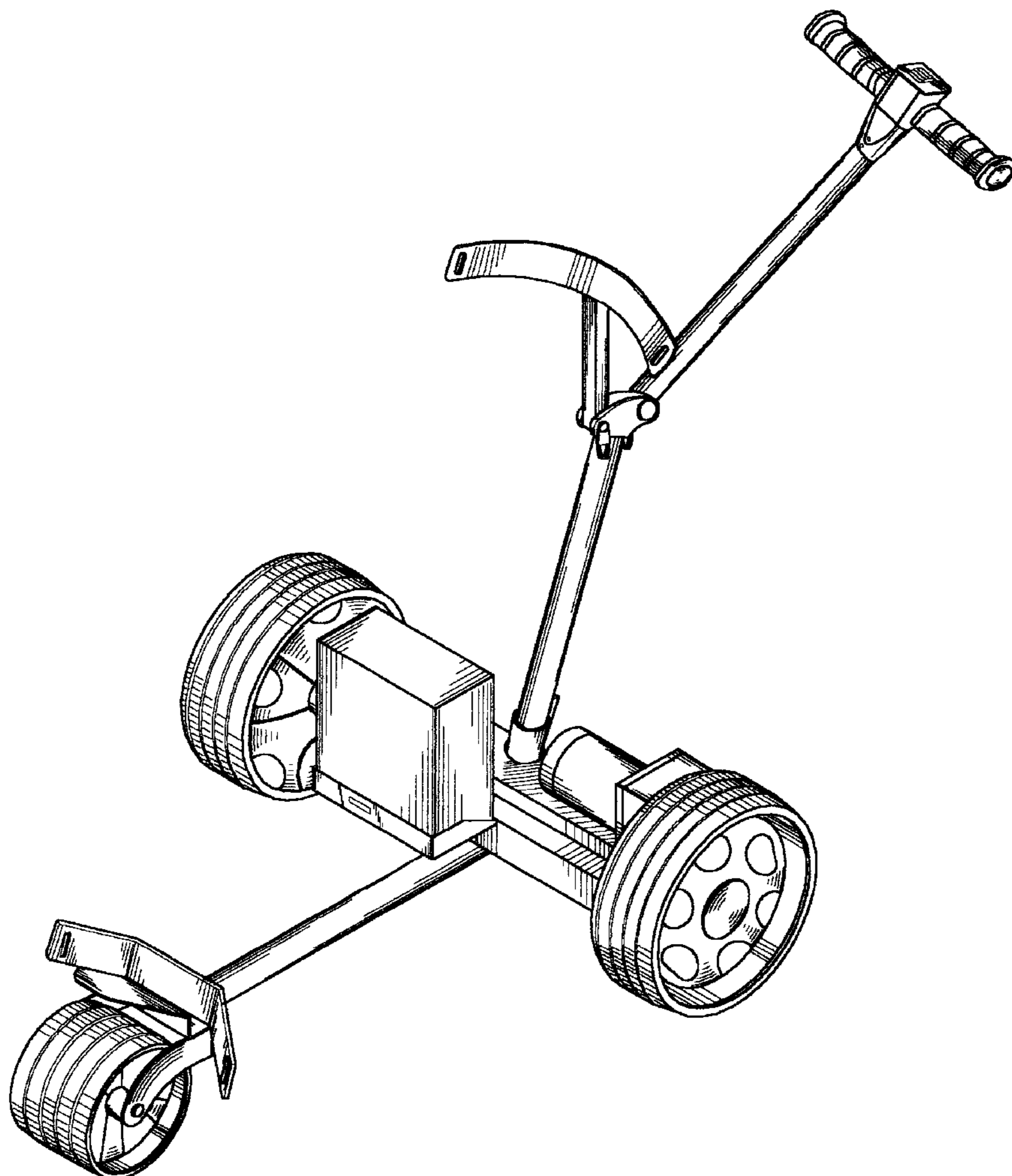
FIG. 3 is a right side view thereof.

FIG. 4 is a front elevation thereof.

FIG. 5 is a rear elevation thereof; and,

FIG. 6 is a top plan view thereof.

1 Claim, 5 Drawing Sheets



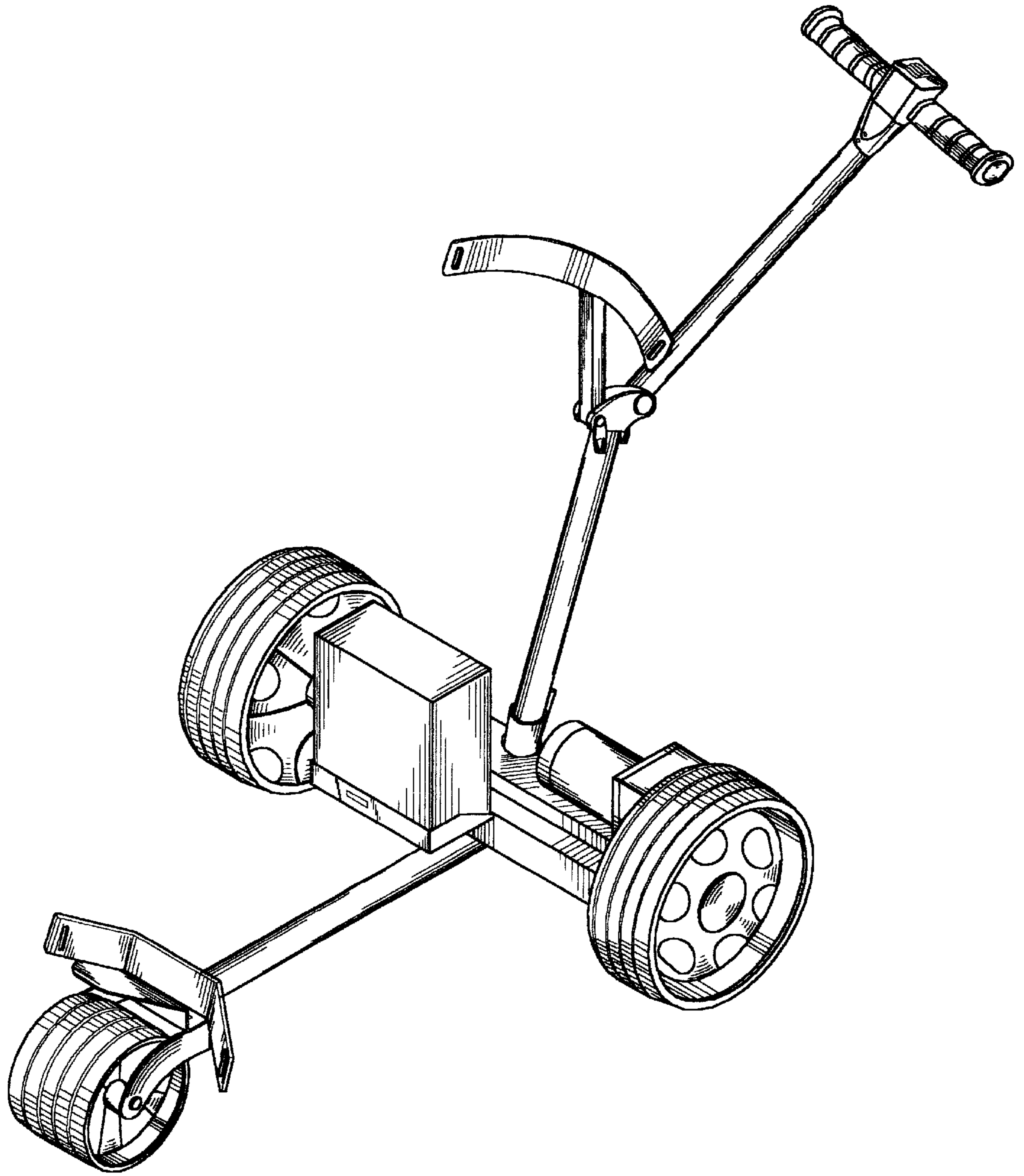


FIG. 1

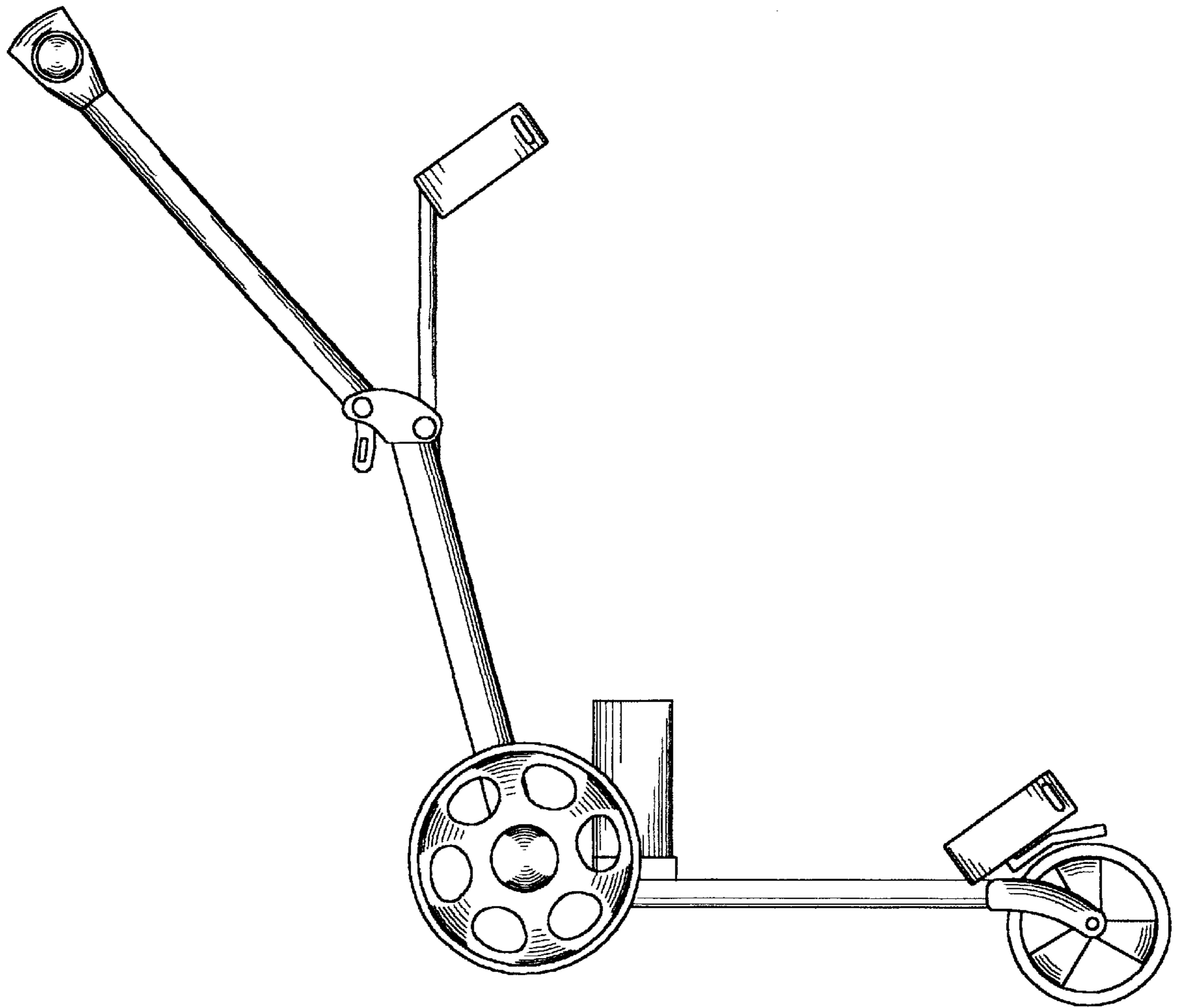


FIG. 2

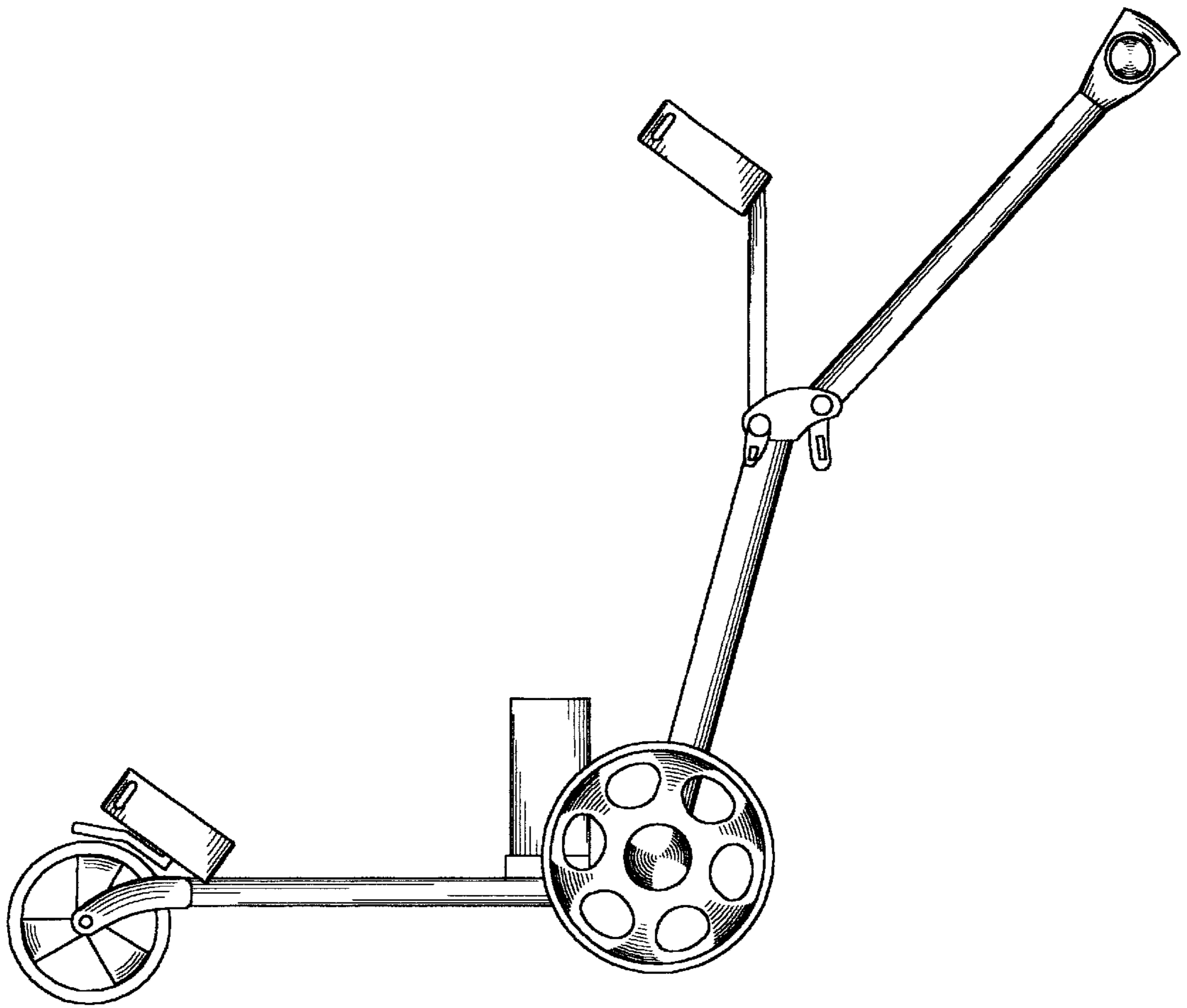


FIG. 3

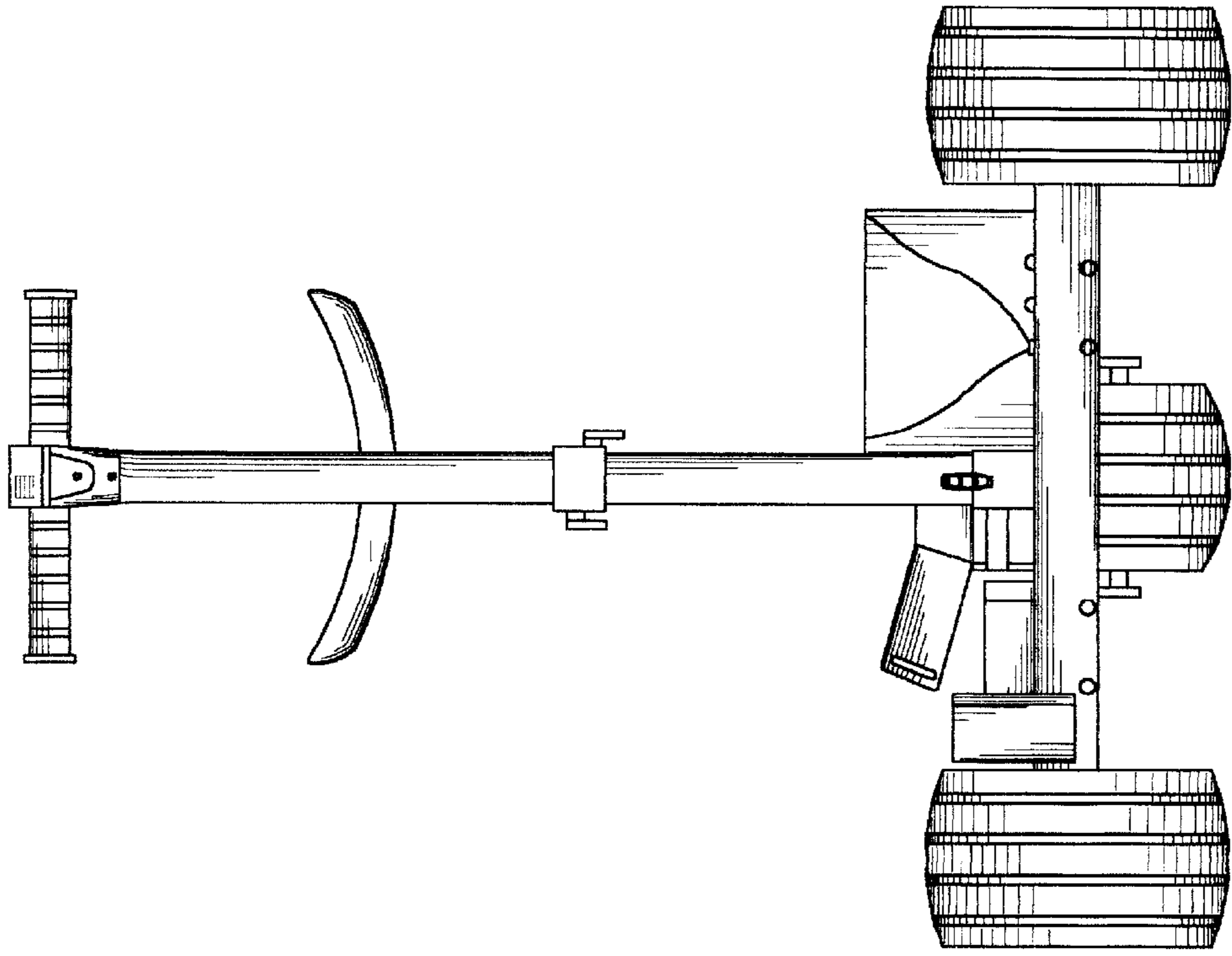


FIG. 5

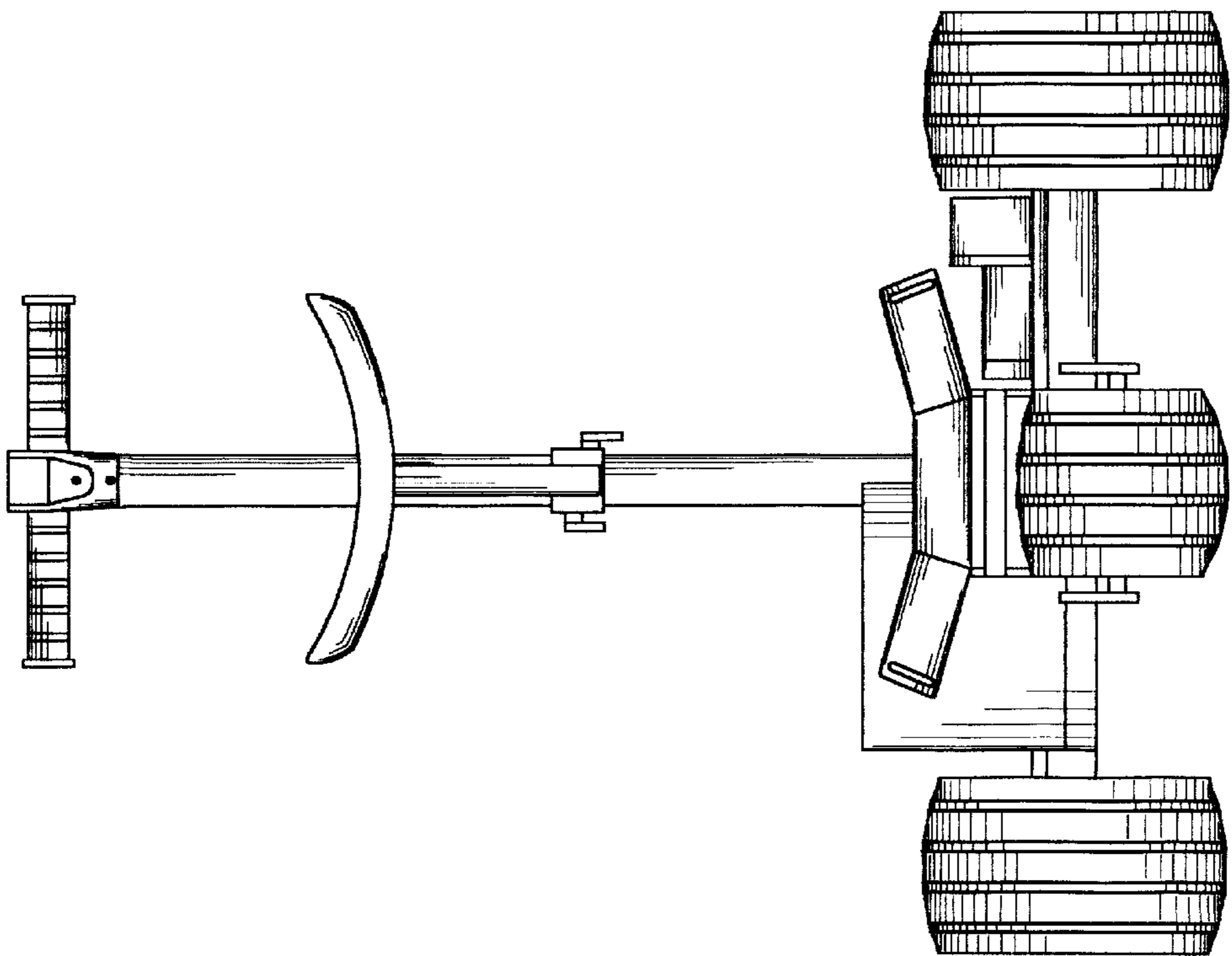


FIG. 4

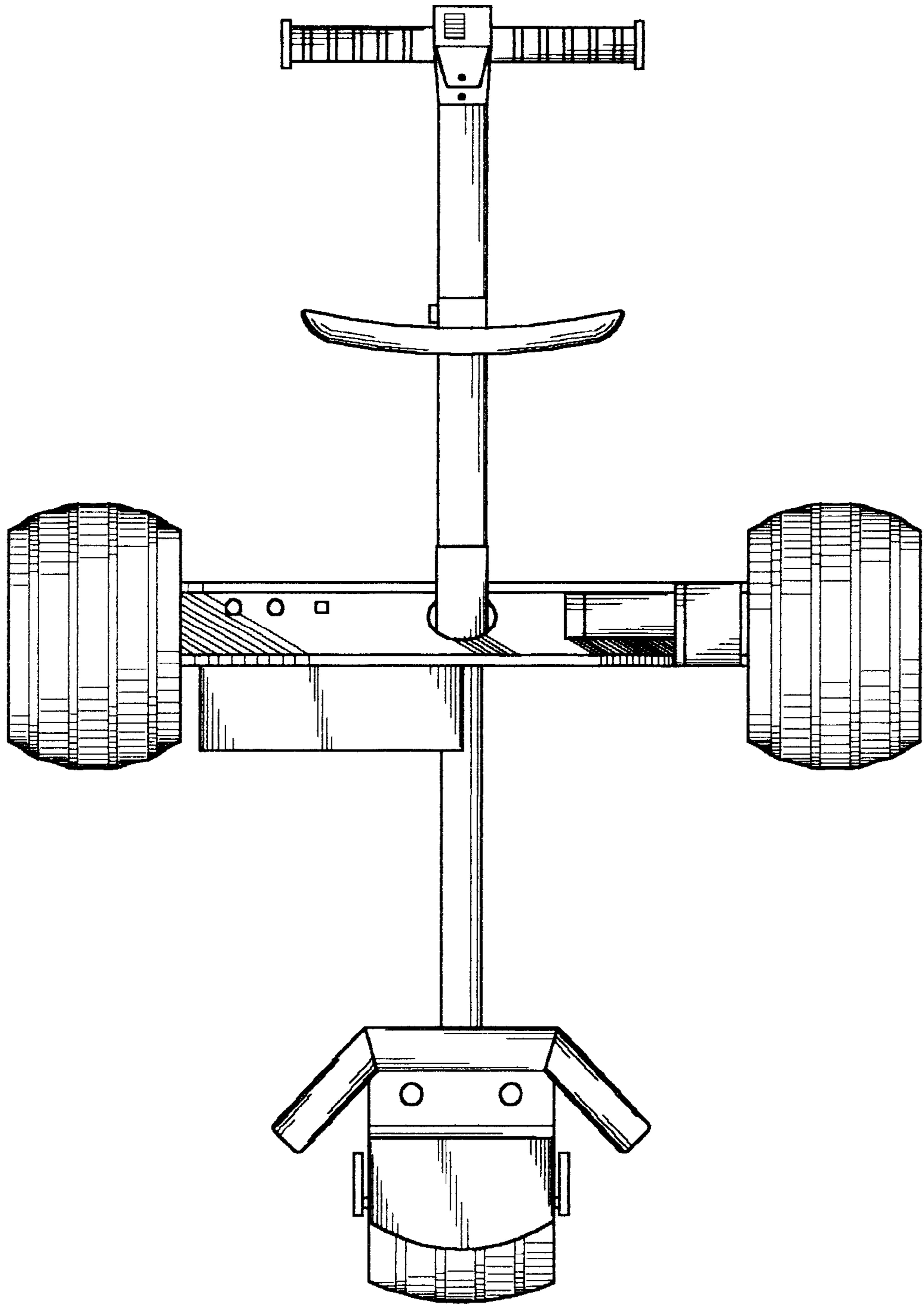


FIG. 6