



US00D425444S

**United States Patent** [19]  
**Koroki**

[11] **Patent Number: Des. 425,444**

[45] **Date of Patent: \*\* May 23, 2000**

[54] **MAGNETIC CLOSURE**

[76] Inventor: **Richard K. Koroki**, 17316 Atkinson Ave., Torrance, Calif. 90504

[\*\*] Term: **14 Years**

[21] Appl. No.: **29/101,613**

[22] Filed: **Apr. 12, 1999**

[51] **LOC (7) Cl.** ..... **02-07**

[52] **U.S. Cl.** ..... **D11/220**

[58] **Field of Search** ..... D11/200, 205-220, D11/231; D8/382, 349, 688; 292/251.5; 63/29.2; 335/285; 244/65.5; 24/94, 303, 688; D3/324

[56] **References Cited**

**U.S. PATENT DOCUMENTS**

D. 247,468 3/1978 Morita .

D. 294,810 3/1988 Morita ..... D11/231  
D. 335,266 5/1993 Morita ..... D11/231  
D. 412,865 8/1999 Aoki ..... D11/231  
D. 413,282 8/1999 Aoki ..... D11/220  
5,572,773 11/1996 Bauer ..... 24/303

*Primary Examiner*—Ralf Seifert  
*Attorney, Agent, or Firm*—Nathan Boatner

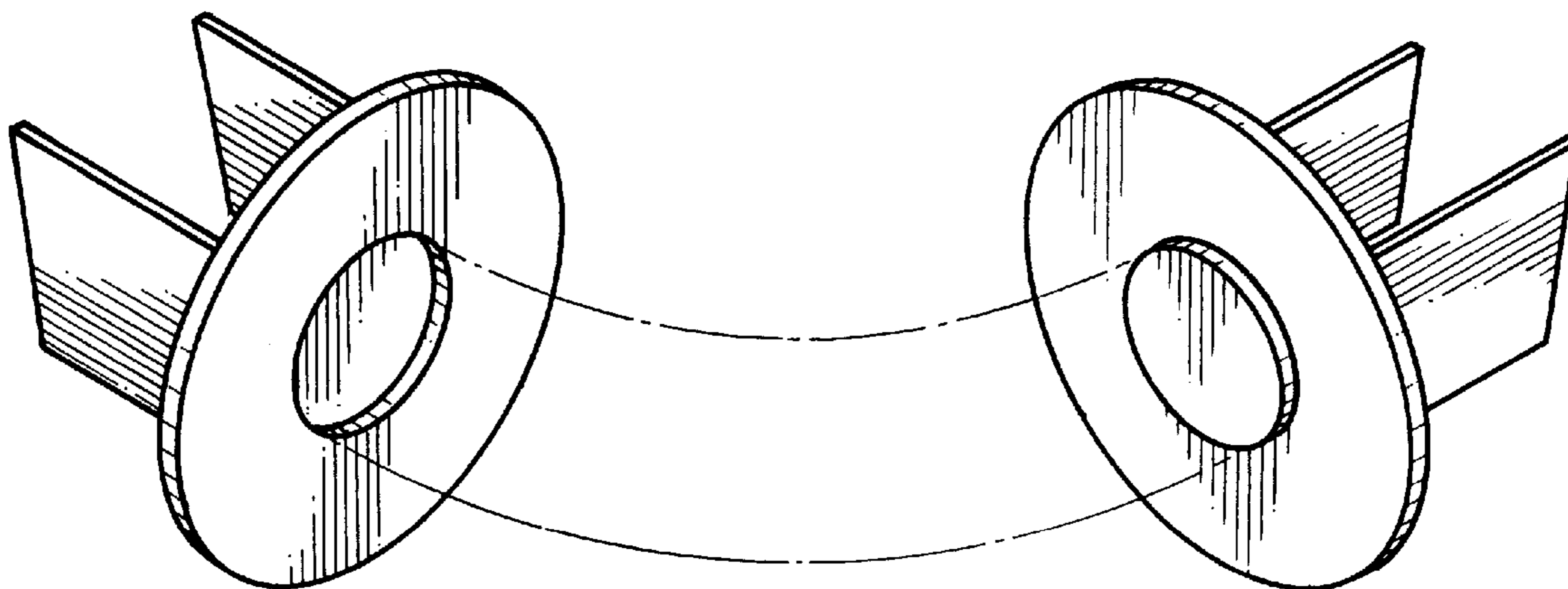
[57] **CLAIM**

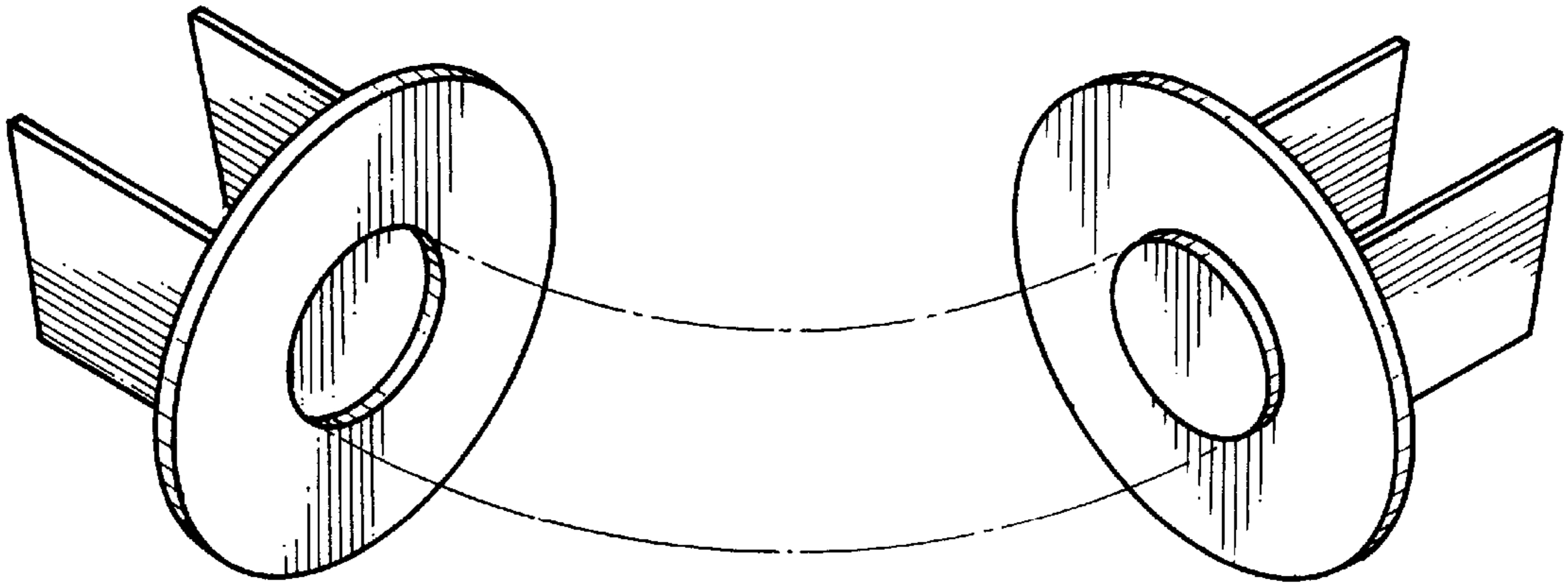
The ornamental design for a magnetic closure, as shown.

**DESCRIPTION**

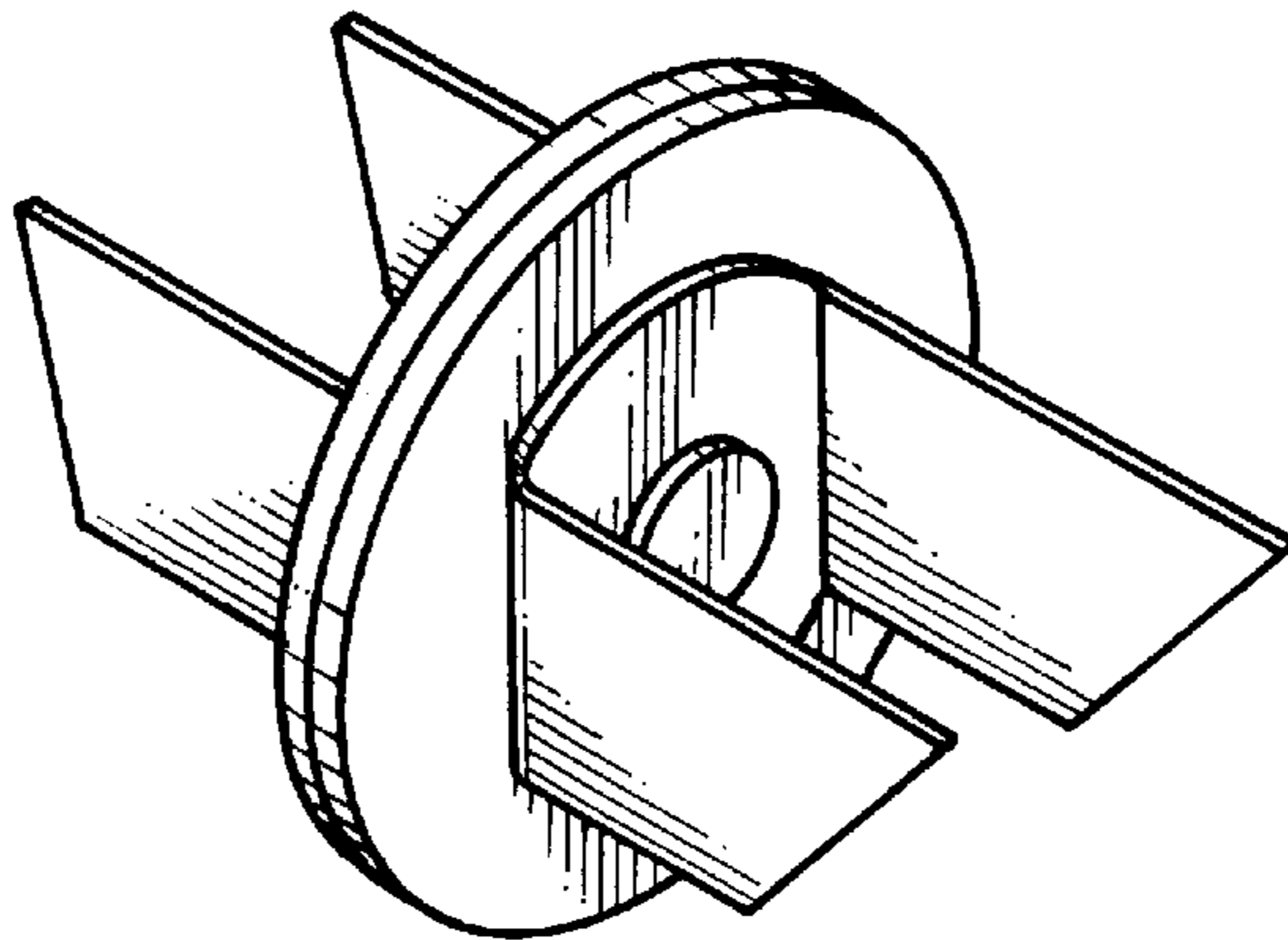
FIG. 1 is an isometric view of both parts of the design; and, FIG. 2 is an isometric view of both parts of the design joined.

**1 Claim, 1 Drawing Sheet**





*FIG. 1.*



*FIG. 2.*