



US00D425440S

**United States Patent** [19]  
**Franklin**

[11] **Patent Number: Des. 425,440**

[45] **Date of Patent: \*\* May 23, 2000**

[54] **PARKING LOT BARRIER**

D. 391,513 3/1998 Brown ..... D10/113

[76] Inventor: **Brian H. K. Franklin**, 2438 E.  
Inglewood St., Mesa, Ariz. 85213

*Primary Examiner*—Marcus A. Jackson  
*Attorney, Agent, or Firm*—Frank J. McGue

[\*\*] Term: **14 Years**

[57] **CLAIM**

[21] Appl. No.: **29/085,939**

The ornamental design for a parking lot barrier, as shown and described.

[22] Filed: **Apr. 2, 1998**

**DESCRIPTION**

[51] **LOC (7) Cl.** ..... **10-05**

[52] **U.S. Cl.** ..... **D10/113**

[58] **Field of Search** ..... D25/39, 44, 112;  
D10/109, 111, 113, 114, 115; 116/63 C,  
63 P; 404/6-15

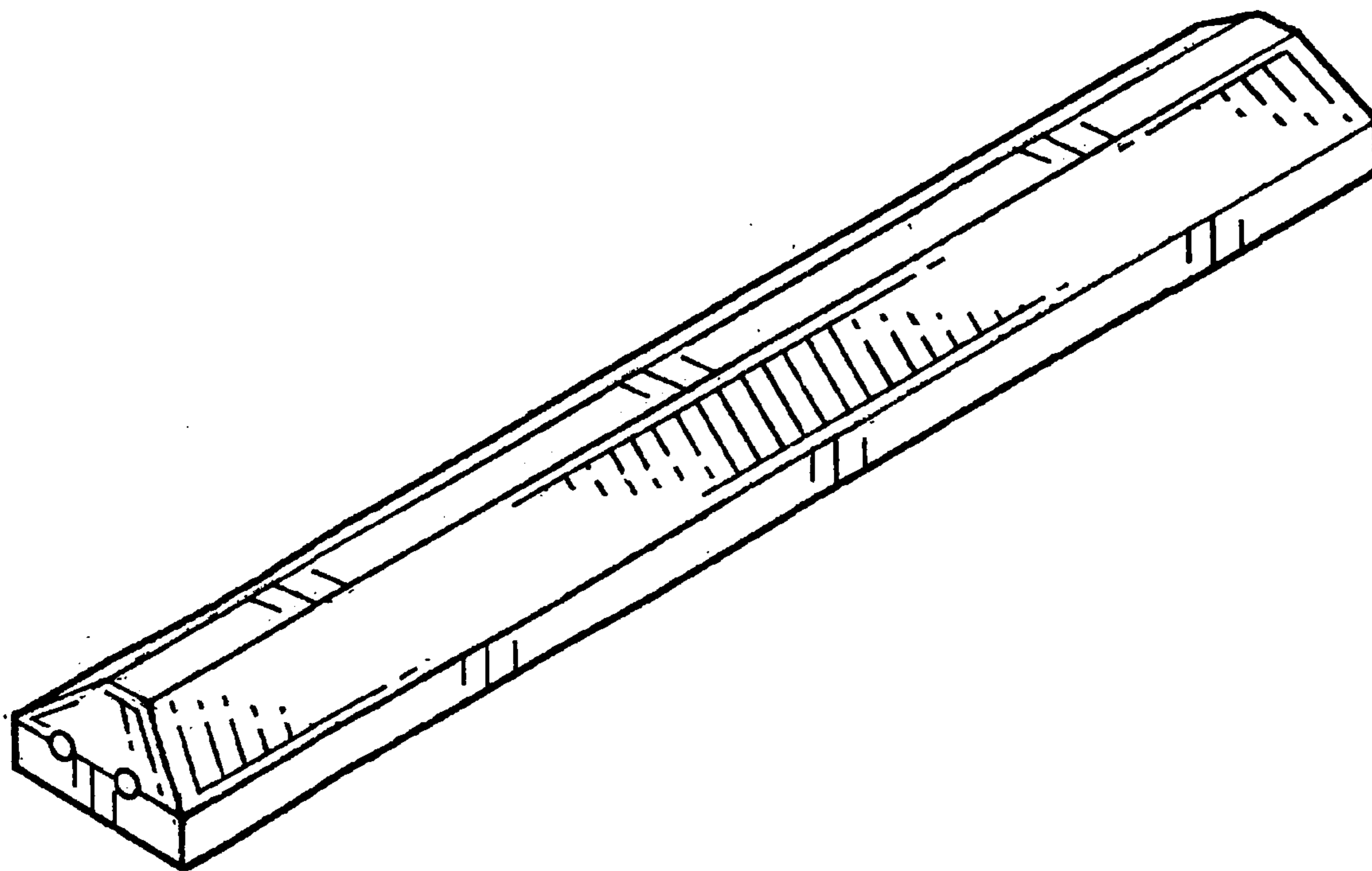
FIG. 1 is a perspective view of a parking lot barrier showing my new design;  
FIG. 2 is a top plan view thereof, with the bottom being flat and unornamented;  
FIG. 3 is a side elevational view thereof, with the opposite side being a mirror image; and,  
FIG. 4 is an enlarged end view thereof, with the opposite side being a mirror image.  
The bottom is flat and unornamented.

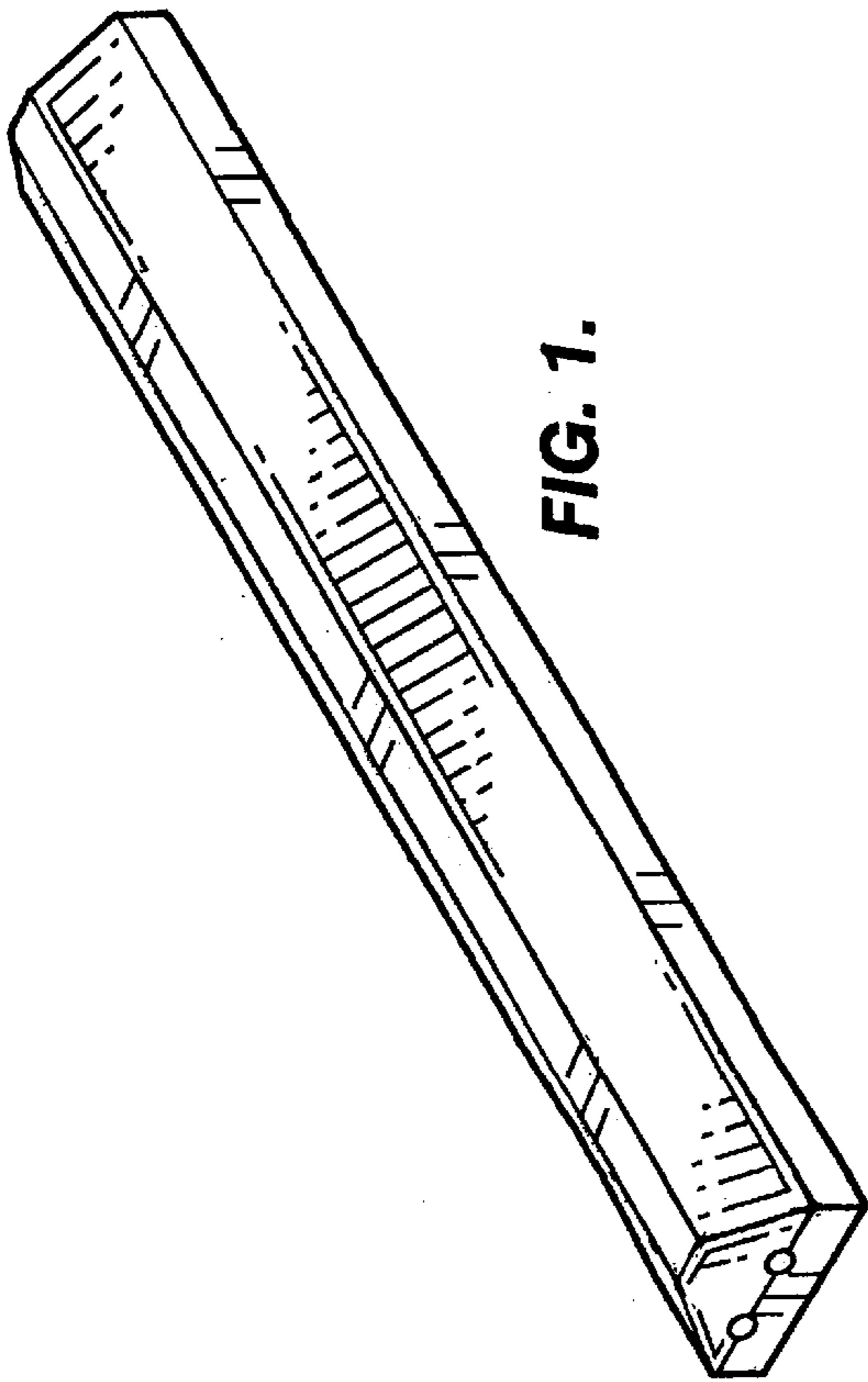
[56] **References Cited**

U.S. PATENT DOCUMENTS

D. 348,230 6/1994 Shairba ..... D10/113  
D. 351,422 10/1994 Morris ..... D10/113

**1 Claim, 1 Drawing Sheet**

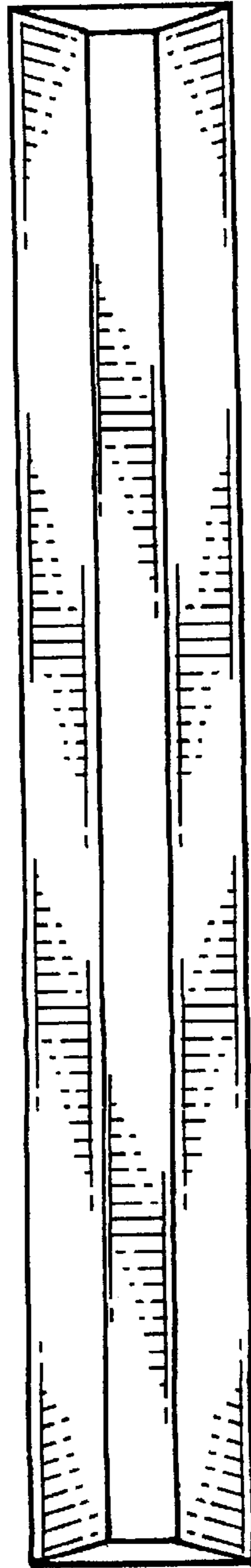




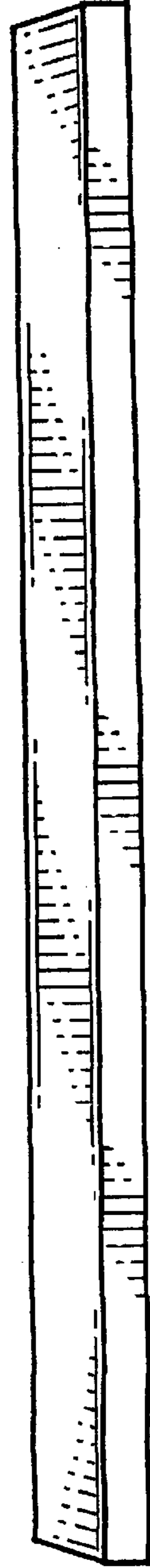
**FIG. 1.**



**FIG. 4.**



**FIG. 2.**



**FIG. 3.**